



US00D620464S

(12) **United States Design Patent**
Quiros et al.

(10) **Patent No.:** **US D620,464 S**
(45) **Date of Patent:** **** Jul. 27, 2010**

(54) **TELEPHONE**

(75) Inventors: **Jose Quiros**, Colorado Springs, CO (US); **Hans Henrik Petersen**, Cambridge (GB); **Andrew Robert James Russell**, Cambridge (GB); **Jamie Kevin Widdows**, Cambridgeshire (GB)

(73) Assignee: **CETIS, Inc.**, Colorado Springs, CO (US)

(**) Term: **14 Years**

(21) Appl. No.: **29/352,685**

(22) Filed: **Dec. 23, 2009**

Related U.S. Application Data

(62) Division of application No. 29/326,003, filed on Oct. 9, 2008, now Pat. No. Des. 608,316.

(51) **LOC (9) Cl.** **14-03**

(52) **U.S. Cl.** **D14/130**

(58) **Field of Classification Search** D14/125-130, D14/140-142, 147-151, 158-159, 171, 188, D14/225-226, 240, 243, 247, 251, 253, 346, D14/349, 356, 358, 434, 436, 138 G, 341, D14/343, 144-146, 138 R; 379/88.17, 90.01, 379/93.17, 387.01, 388.02, 419-420.04, 379/428.01-428.04, 434-436, 440, 446-447, 379/454-455; 381/16, 71.1; D13/107-108; 191/12.2 R; 320/108, 110, 113-115; 455/411, 455/550.1-90.3; 348/14.01-14.06; D21/517
See application file for complete search history.

(56) **References Cited**

U.S. PATENT DOCUMENTS

3,521,008 A * 7/1970 Tyson 379/434
D279,372 S * 6/1985 Baba et al. D14/151
D283,614 S * 4/1986 Somaschini D14/130
D287,011 S * 12/1986 Kaku D14/151

4,653,086 A * 3/1987 Laube 379/93.19
D307,008 S * 4/1990 Shaanan et al. D14/151
4,937,877 A * 6/1990 Pocock et al. 381/360
D317,757 S * 6/1991 Yokoi et al. D14/329
5,113,435 A * 5/1992 Chen 379/441

(Continued)

OTHER PUBLICATIONS

General Electric 27909EE1, <URL:http://www.101phones.com/details/3174-1521/ge-rca-27909.html>, retrieved from internet Mar. 4, 2010.*

(Continued)

Primary Examiner—Robert M Spear
Assistant Examiner—Carla Jobe Wright
(74) *Attorney, Agent, or Firm*—Fish & Richardson P.C.

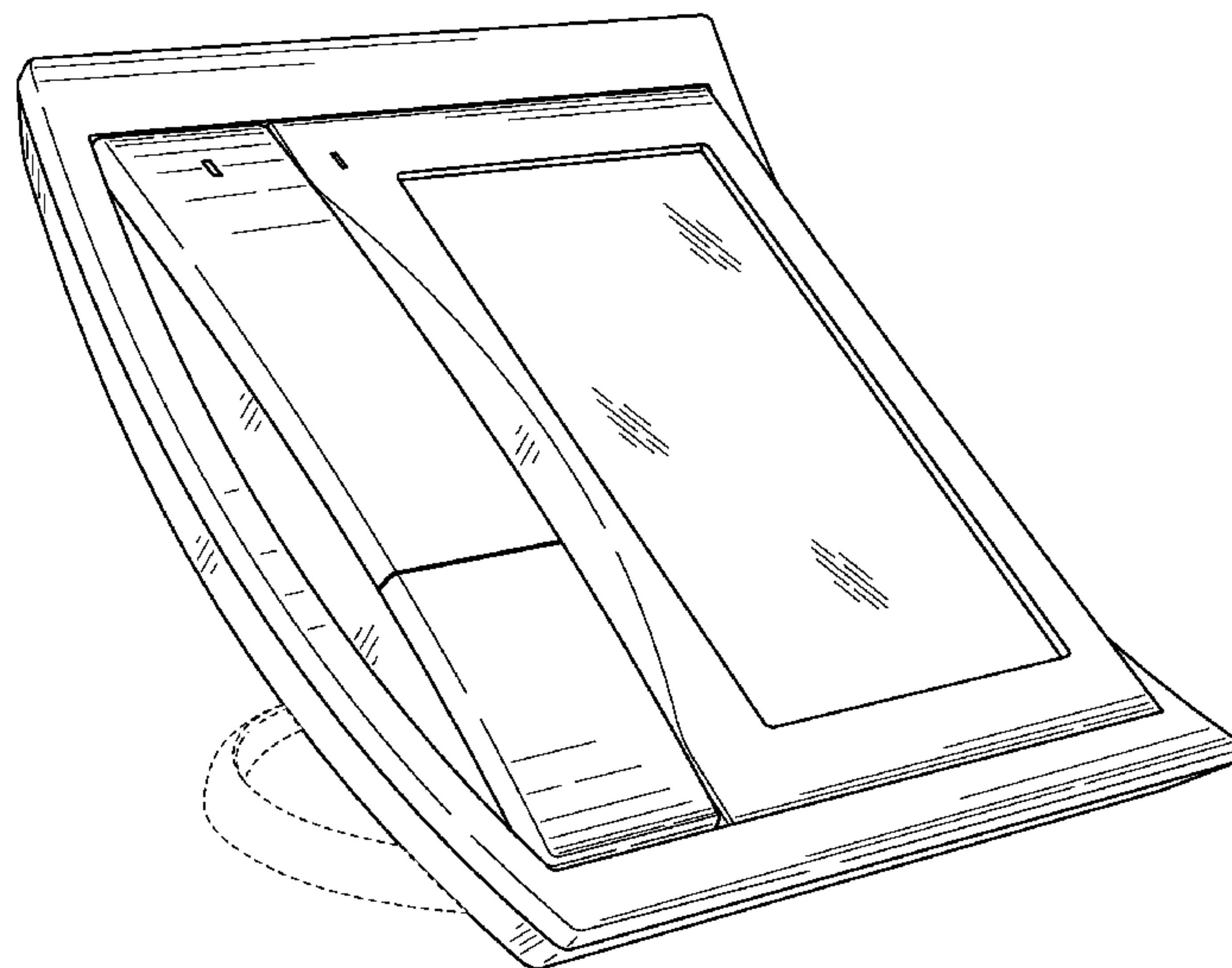
(57) **CLAIM**

The ornamental design for a telephone, substantially as shown and described.

DESCRIPTION

FIG. 1 is a perspective view of a telephone.
FIG. 2 is a front view of the telephone of FIG. 1.
FIG. 3 is a rear view of the telephone of FIG. 1.
FIG. 4 is a right side view of the telephone of FIG. 1.
FIG. 5 is a left side view of the telephone of FIG. 1.
FIG. 6 is a top view of the telephone of FIG. 1; and,
FIG. 7 is a bottom view of the telephone of FIG. 1.
In the drawing, the broken lines depict unclaimed environment.

1 Claim, 4 Drawing Sheets



US D620,464 S

Page 2

U.S. PATENT DOCUMENTS

D339,342 S * 9/1993 Chan D14/149
D365,560 S * 12/1995 Buchin D14/151
D389,831 S * 1/1998 Muller D14/149
5,835,577 A * 11/1998 Disanto et al. 379/93.19
D411,987 S * 7/1999 Mizusugi et al. D14/329
D435,530 S * 12/2000 Christensen et al. D14/146
D440,542 S * 4/2001 Hawkins et al. D14/346
D463,389 S * 9/2002 Stafford-Fraser D14/151
D469,072 S * 1/2003 Dickinson D14/149
D479,517 S * 9/2003 Weidinger D14/151
D577,706 S * 9/2008 Andrews et al. D14/151

D581,897 S * 12/2008 Katori D14/151
D608,335 S * 1/2010 Quiros et al. D14/149
D608,336 S * 1/2010 Quiros et al. D14/149
D608,337 S * 1/2010 Quiros et al. D14/149

OTHER PUBLICATIONS

General Electric 27956FE1 PhotoPhone, <URL:<http://www.101phones.com/details/3174-5738/ge-rca-27956fe1.html>>, retrieved from internet Mar. 4, 2010.*
OpenPeak ProFram 7, <URL:<http://www.openpeak.com/ProFrame7.php>>, retrieved from internet Mar. 4, 2010.*

* cited by examiner

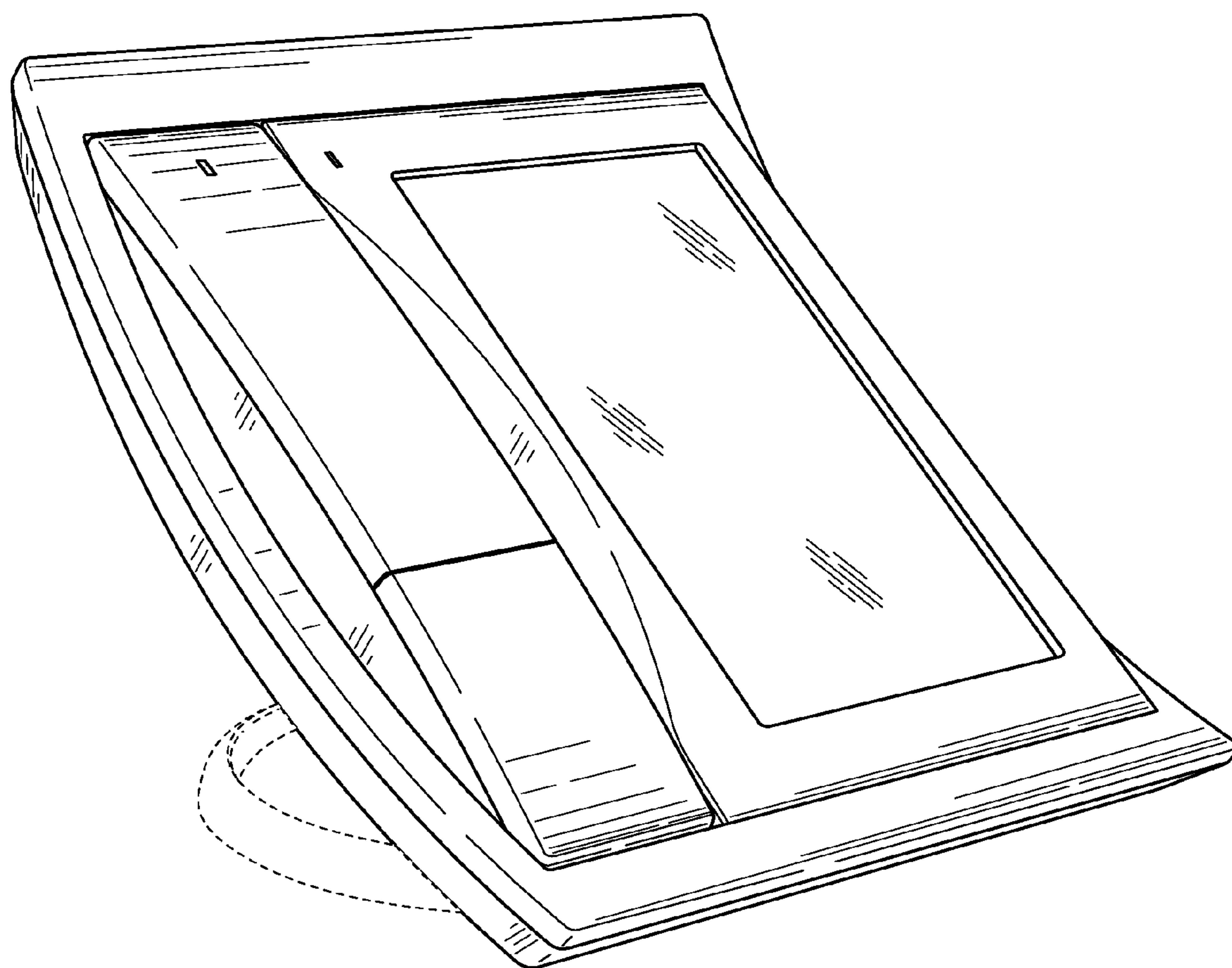


FIG. 1

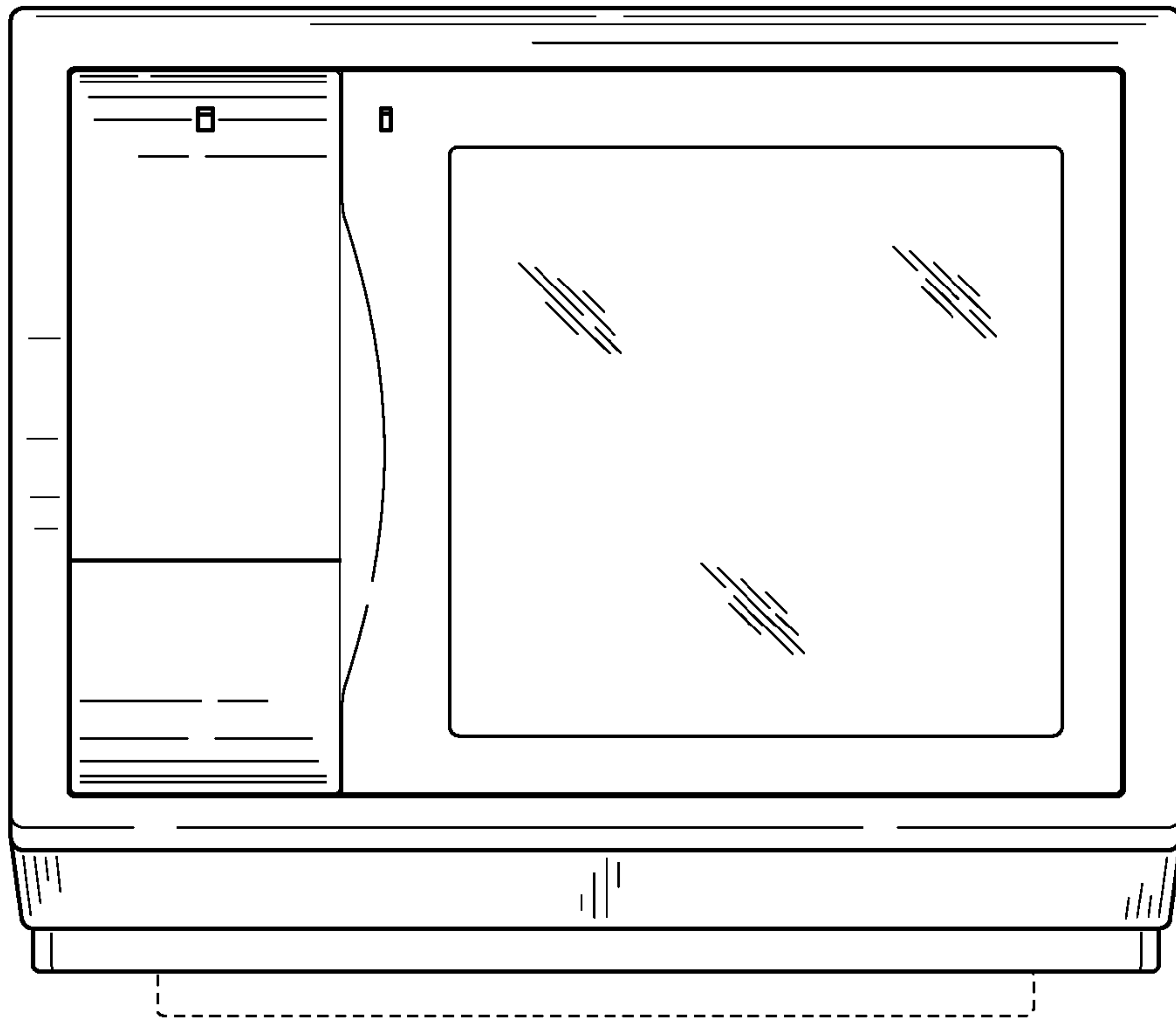


FIG. 2

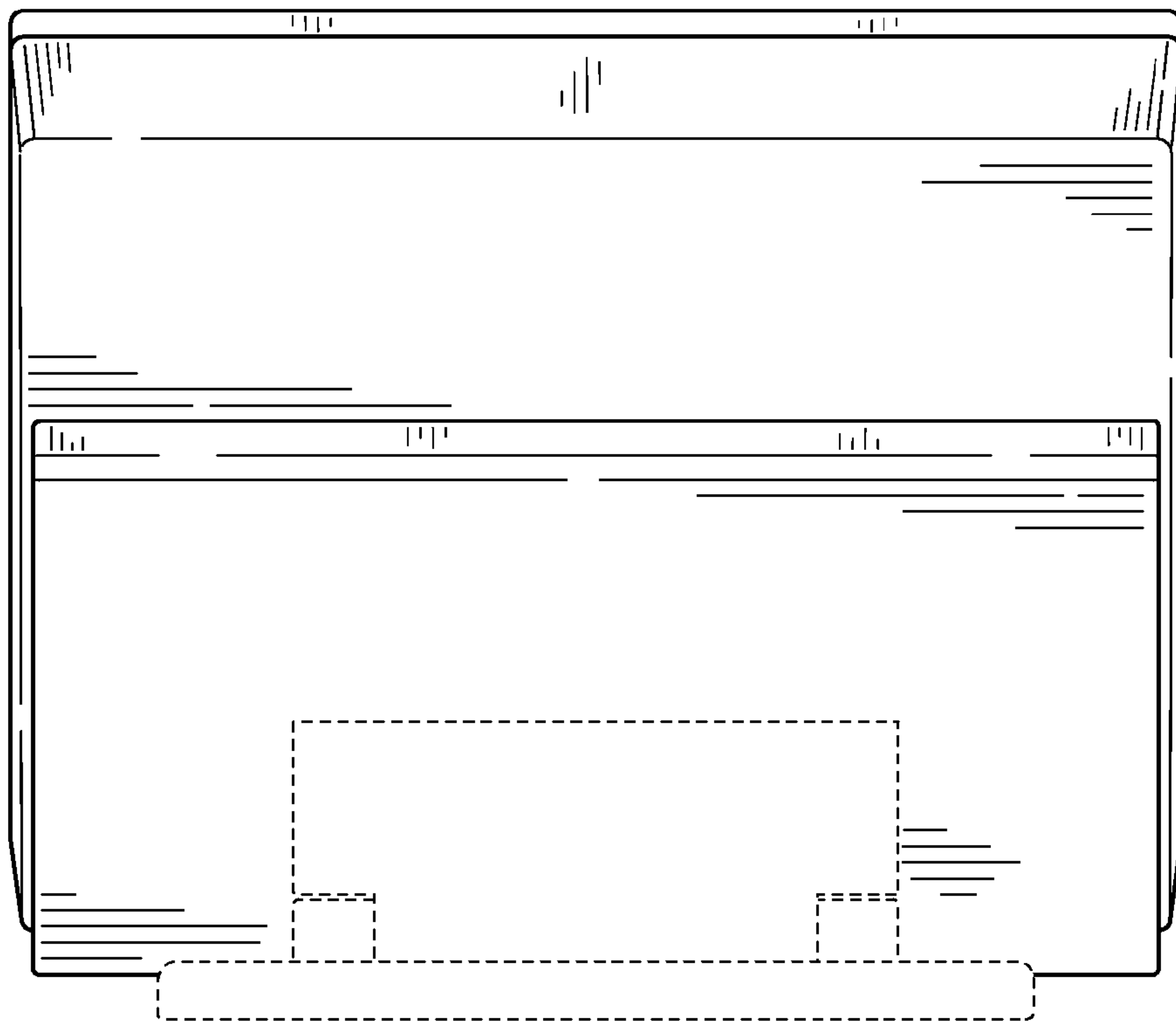


FIG. 3

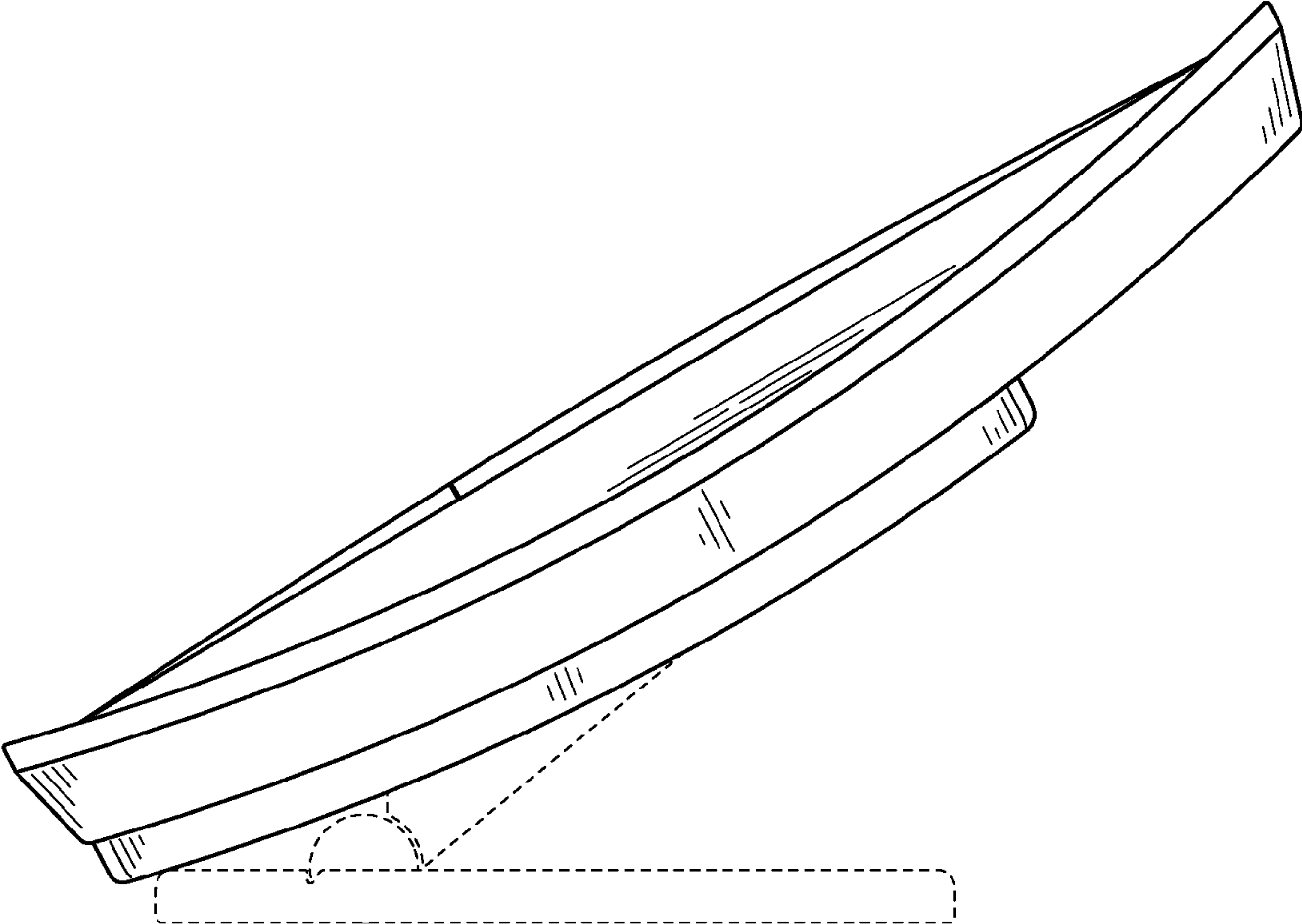


FIG. 4

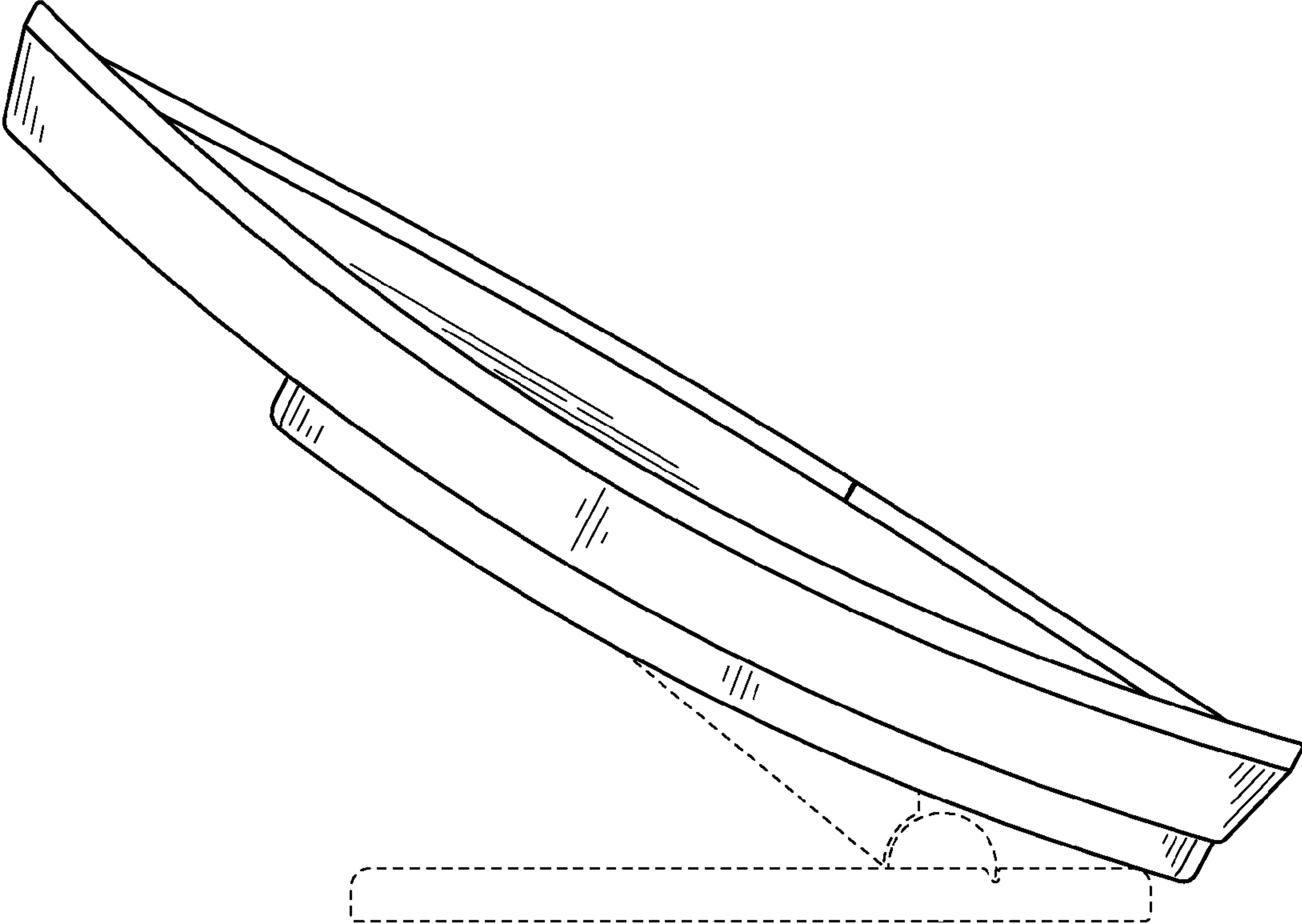


FIG. 5

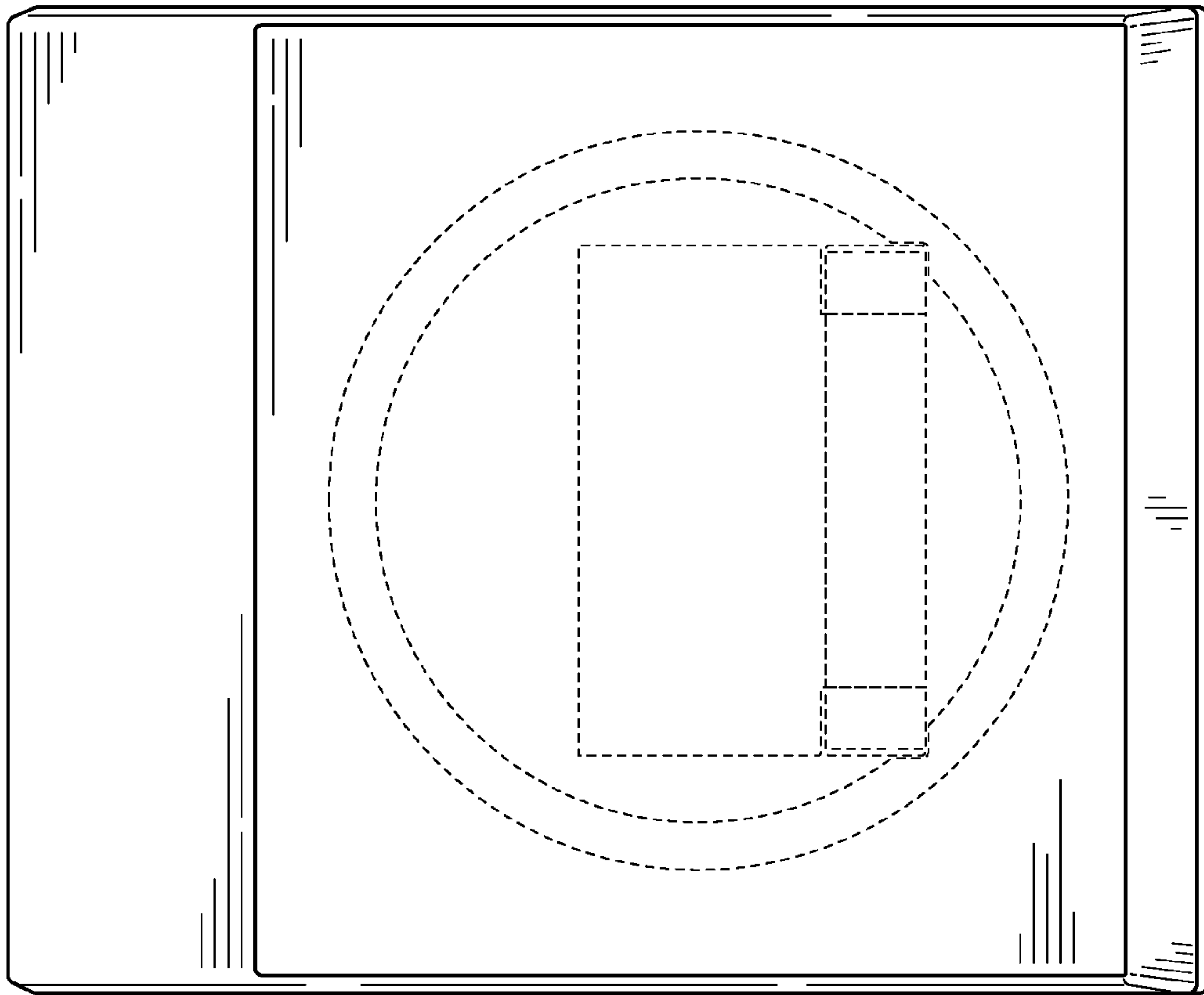


FIG. 7

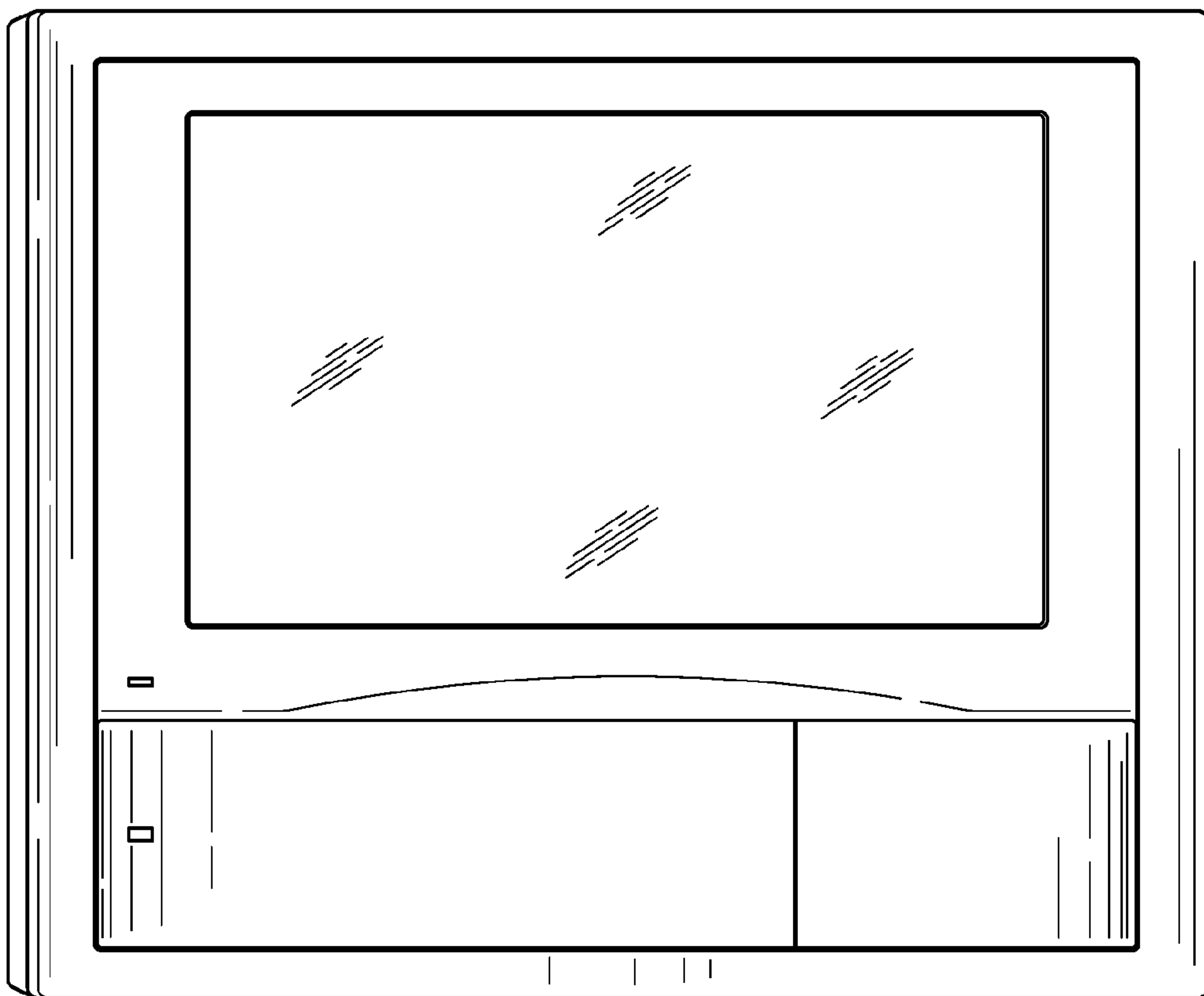


FIG. 6