



US00D620462S

(12) **United States Design Patent**
Shiraki et al.

(10) **Patent No.:** **US D620,462 S**
(45) **Date of Patent:** **** Jul. 27, 2010**

(54) **TELEVISION RECEIVER**

D576,974 S * 9/2008 Kim et al. D14/126
D584,704 S * 1/2009 Quaglio D14/126

(75) Inventors: **Masazumi Shiraki**, Kanagawa-ken (JP);
Hideto Shimizu, Tokyo (JP)

(73) Assignee: **Kabushiki Kaisha Toshiba**, Tokyo (JP)

(**) Term: **14 Years**

(21) Appl. No.: **29/334,662**

(22) Filed: **Mar. 31, 2009**

(30) **Foreign Application Priority Data**

Nov. 21, 2008 (JP) 2008-030049

(51) **LOC (9) Cl.** **14-03**

(52) **U.S. Cl.** **D14/126**

(58) **Field of Classification Search** D14/125-134,
D14/239, 371, 136, 374-377, 440, 450, 448,
D14/336, 342; 312/7.2; 348/836, 838, 180,
348/184, 325, 739; 341/12; 248/917-924,
248/465; 345/104, 133, 156, 168, 87, 173;
720/605, 669, 600, 655; 369/99, 197; 455/344,
455/347; D21/329, 515, 577, 622, 333, 433,
D21/448, 452, 450, 331; D6/477, 479, 300;
273/148 B; 446/484, 175, 356; D10/15,
D10/26

See application file for complete search history.

(56) **References Cited**

U.S. PATENT DOCUMENTS

D567,202 S * 4/2008 Rieu Piquet D14/126

FOREIGN PATENT DOCUMENTS

CN 3623840 3/2007
CN 300684482 8/2007
JP D1302947 6/2007

* cited by examiner

Primary Examiner—Raphael Barkai

(74) *Attorney, Agent, or Firm*—Banner & Witcoff, Ltd.

(57) **CLAIM**

The ornamental design for a television receiver, as shown and described.

DESCRIPTION

FIG. 1 is a top, front and left side perspective view of a television receiver showing our new design,

FIG. 2 is a front elevational view thereof,

FIG. 3 is a top plan view thereof,

FIG. 4 is a bottom plan view thereof,

FIG. 5 is a left side elevational view thereof,

FIG. 6 is a right side elevational view thereof; and,

FIG. 7 is a rear elevational view thereof.

1 Claim, 3 Drawing Sheets

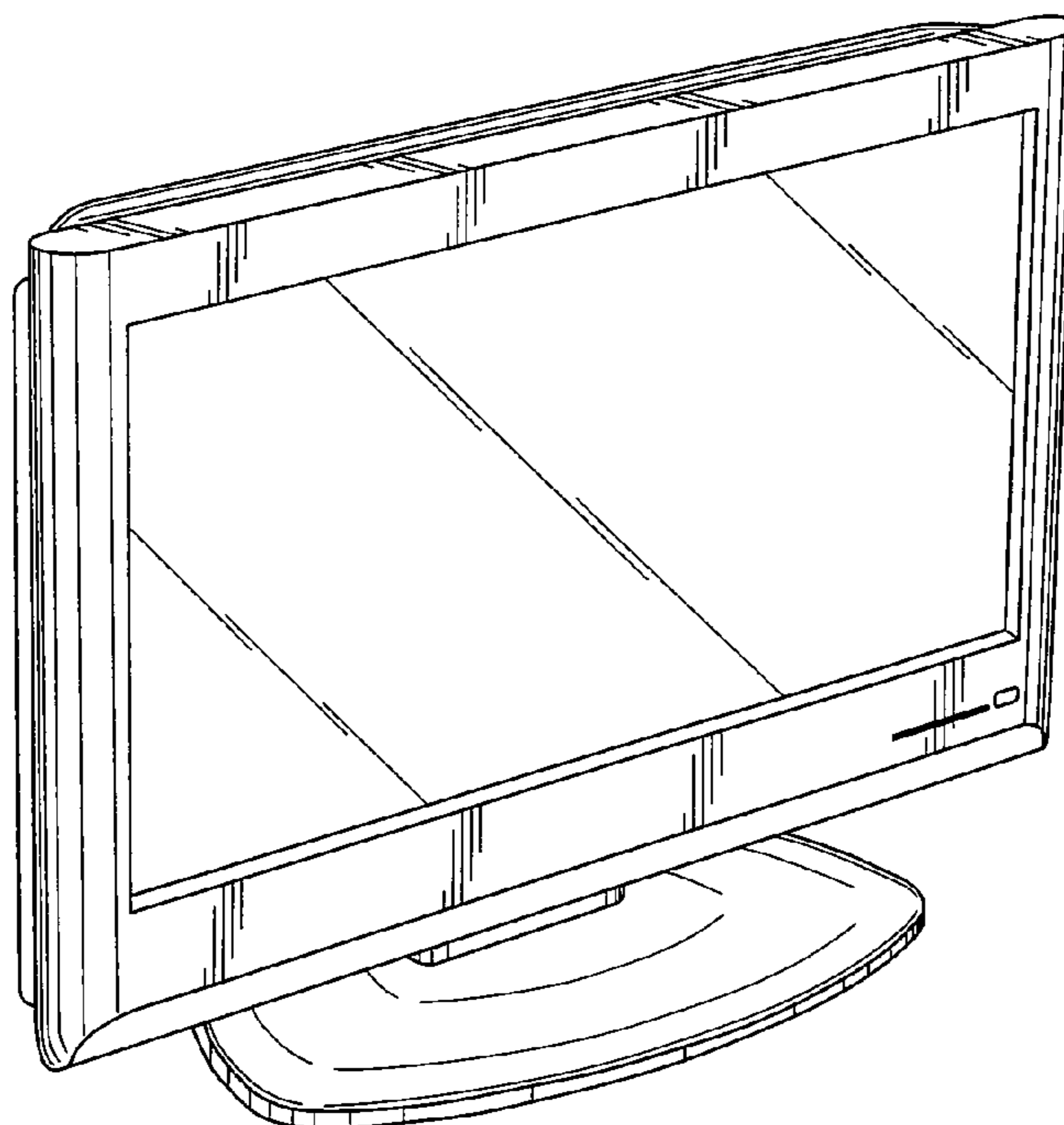


FIG. 1

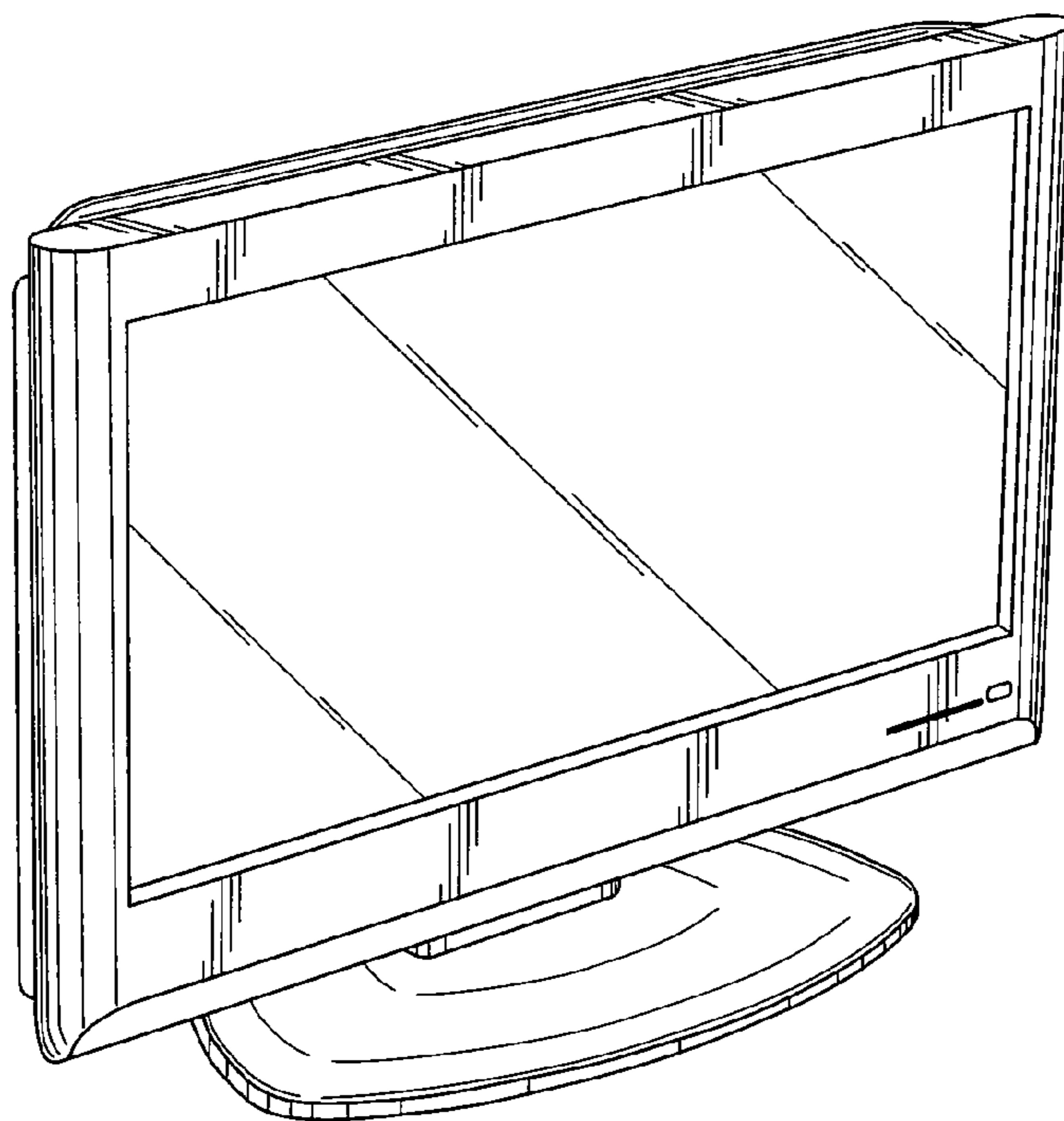


FIG. 2

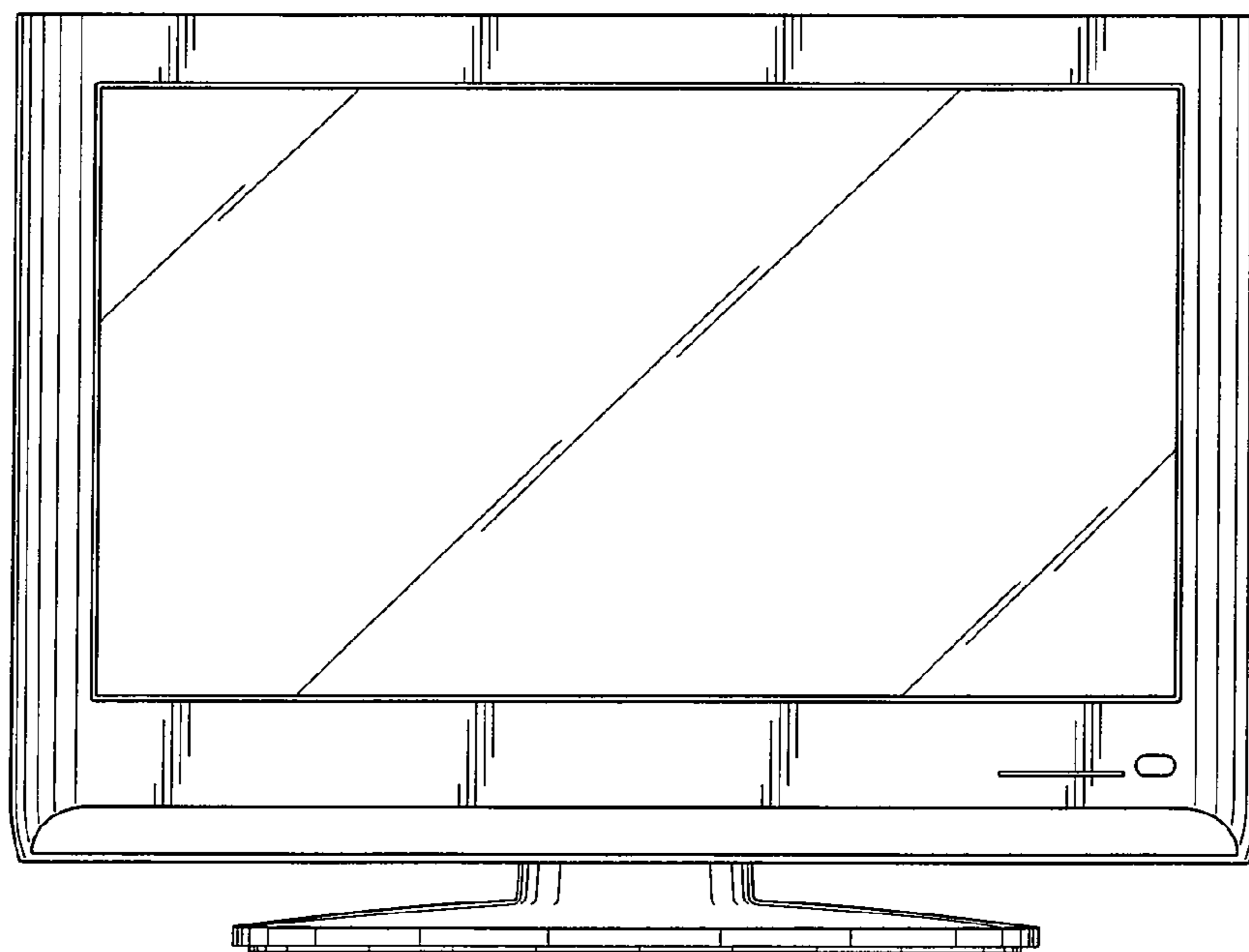


FIG. 3

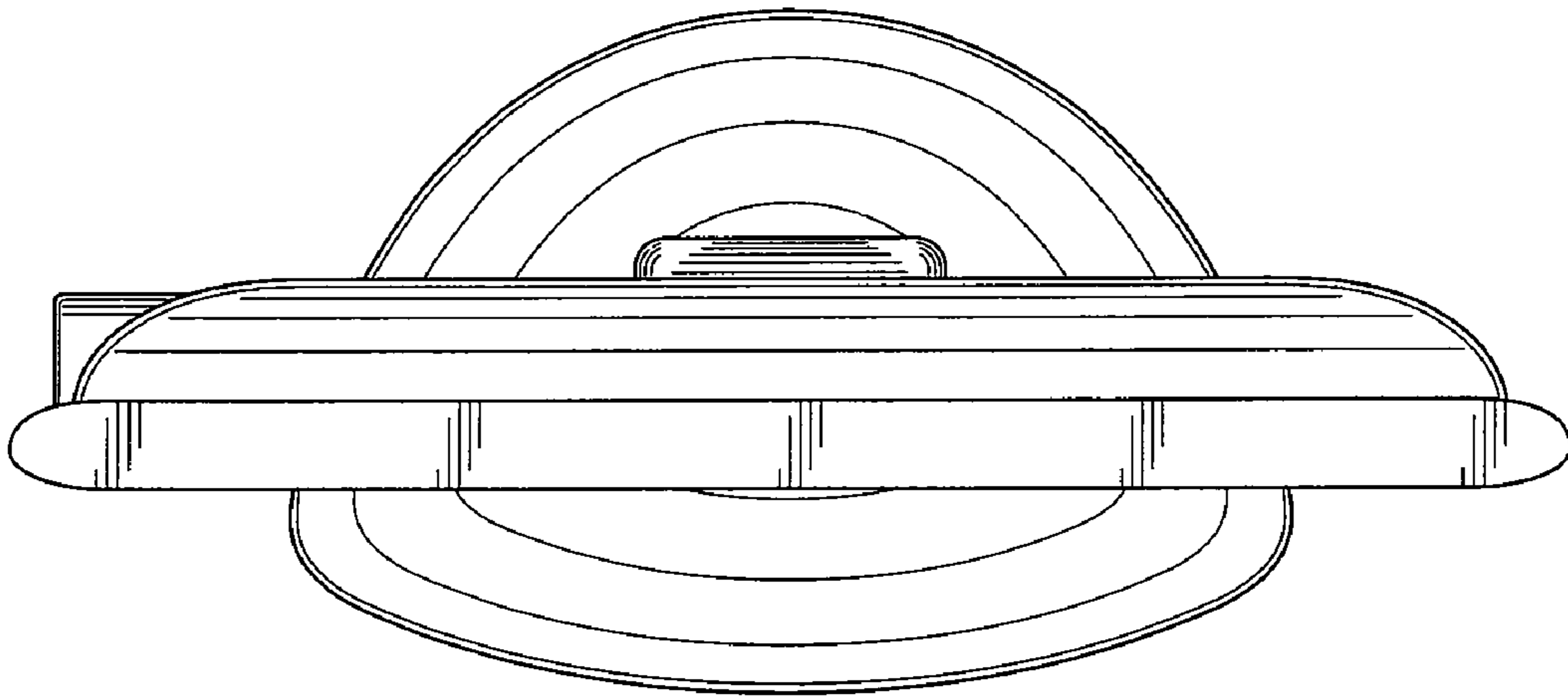


FIG. 4

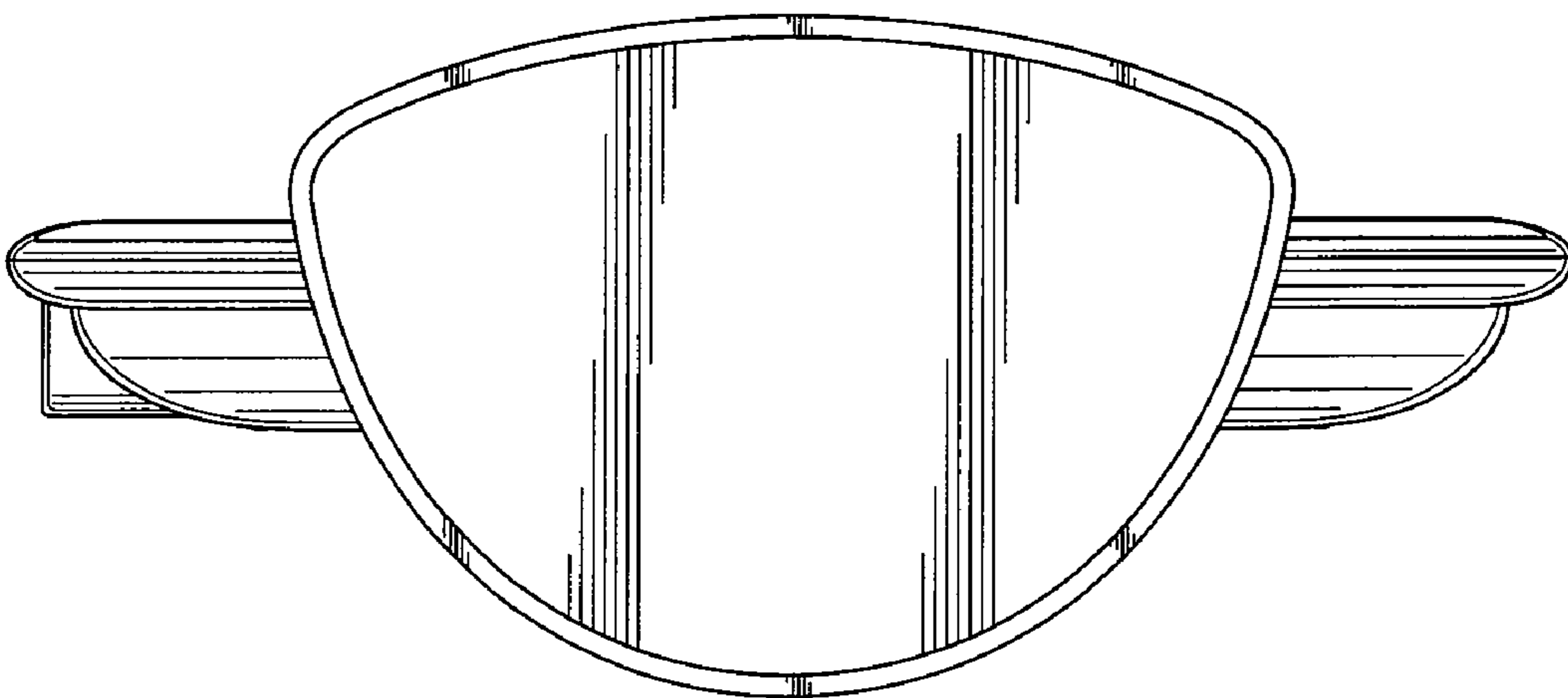


FIG. 5

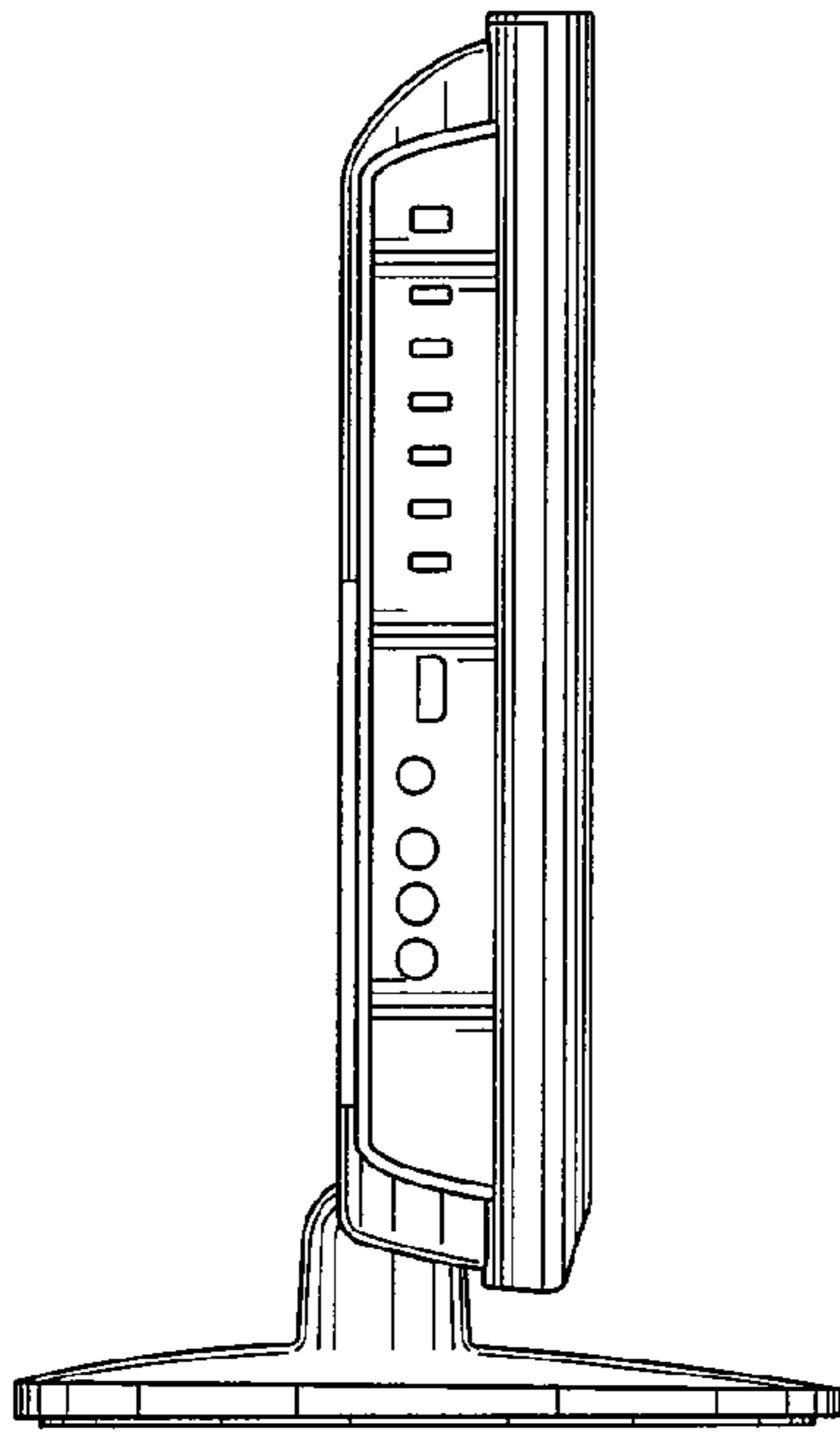


FIG. 6

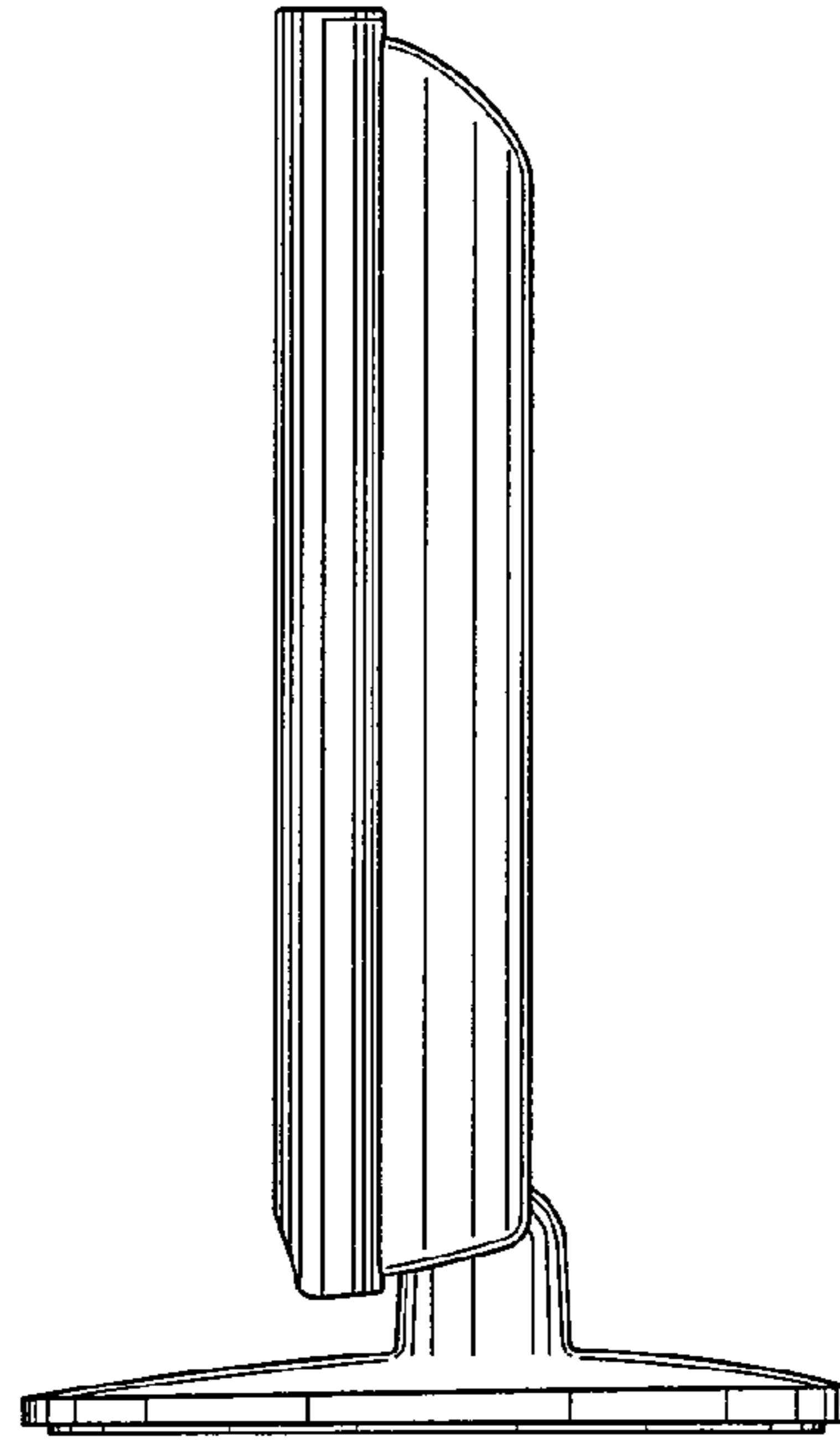


FIG. 7

