



US00D620461S

(12) **United States Design Patent**
Han et al.

(10) **Patent No.:** **US D620,461 S**
(45) **Date of Patent:** **** Jul. 27, 2010**

(54) **TELEVISION SET**
(75) Inventors: **Kyu-Mi Han**, Seoul (KR); **Tae-Yeon Won**, Seoul (KR)
(73) Assignee: **Samsung Electronics Co., Ltd.**, Suwon, Kyunggi-do (KR)
(**) Term: **14 Years**
(21) Appl. No.: **29/308,634**
(22) Filed: **Jun. 27, 2008**

D532,764 S 11/2006 Kim et al.
D533,848 S 12/2006 Lee et al.
D534,510 S 1/2007 Kang et al.
D534,883 S 1/2007 Kang et al.
D535,267 S 1/2007 Kang et al.
D536,677 S 2/2007 Kim et al.
D537,079 S 2/2007 Park
D539,242 S 3/2007 Lee et al.
D539,281 S 3/2007 Kim et al.
D539,767 S 4/2007 Kang et al.
D540,277 S 4/2007 Kim et al.
D541,236 S 4/2007 Kim et al.
D541,763 S 5/2007 Kim
D542,746 S 5/2007 Kim

(51) **LOC (9) Cl.** **14-03**
(52) **U.S. Cl.** **D14/126**
(58) **Field of Classification Search** D14/125-134, D14/239, 371, 136, 374-377, 440, 450, 448, D14/336, 342; 312/7.2; 348/836, 838, 180, 348/184, 325, 739; 341/12; 248/917-924, 248/465; 345/104, 133, 156, 168, 87, 173; 720/605, 669, 600, 655; 369/99, 197; 455/344, 455/347; D21/329, 515, 577, 622, 333, 433, D21/448, 452, 450, 331; D6/477, 479, 300; 273/148 B; 446/484, 175, 356; D10/15, D10/26

See application file for complete search history.

(56) **References Cited**
U.S. PATENT DOCUMENTS

D412,891 S * 8/1999 Sumii D14/374
D489,342 S * 5/2004 Campbell et al. D14/130
D494,941 S 8/2004 Kim
D499,386 S 12/2004 Yang
D512,424 S 12/2005 Kim
D521,511 S 5/2006 Kim et al.
D521,996 S 5/2006 Kim et al.
D521,997 S 5/2006 Park et al.
D522,509 S 6/2006 Park et al.
D524,313 S 7/2006 Boo et al.
D527,003 S 8/2006 Kim et al.
D528,115 S 9/2006 Yoon
D528,116 S 9/2006 Won et al.
D529,883 S * 10/2006 Hoehn et al. D14/126
D529,910 S 10/2006 Ota

(Continued)

OTHER PUBLICATIONS

U.S. Appl. No. 29/269,013, Applicant: Jun-Ho Yang, et al., filed Nov. 17, 2006 entitled LCD Television Set.

(Continued)

Primary Examiner—Raphael Barkai
(74) *Attorney, Agent, or Firm*—Flynn, Thiel, Boutell & Tanis, P.C.

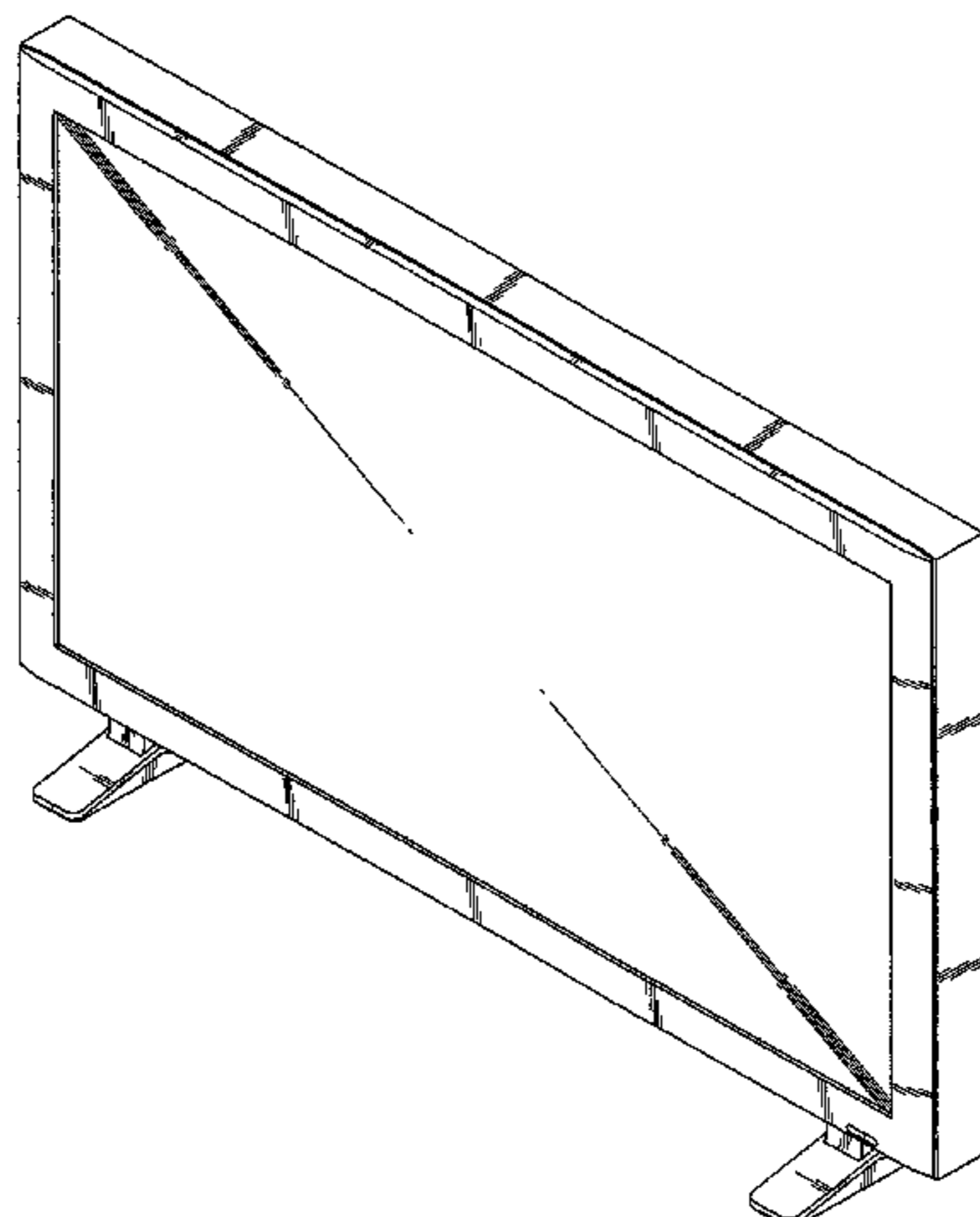
(57) **CLAIM**

The ornamental design for a television set, as shown and described.

DESCRIPTION

FIG. 1 is a top front perspective view of a television set showing our new design;
FIG. 2 is a front elevational view thereof;
FIG. 3 is a rear elevational view thereof;
FIG. 4 is a left side elevational view thereof;
FIG. 5 is a right side elevational view thereof;
FIG. 6 is a top plan view thereof; and,
FIG. 7 is a bottom plan view thereof.

1 Claim, 5 Drawing Sheets



US D620,461 S

Page 2

U.S. PATENT DOCUMENTS

D542,747 S 5/2007 Kim et al.
D543,163 S 5/2007 Yang et al.
D543,164 S 5/2007 Yang et al.
D543,960 S * 6/2007 Bloem D14/126
D544,849 S 6/2007 Yang et al.
D545,279 S * 6/2007 Bloem D14/126
D545,312 S 6/2007 Kim
D545,313 S 6/2007 Kim
D545,314 S 6/2007 Kim
D545,315 S 6/2007 Kim
D545,316 S 6/2007 Kim
D545,776 S 7/2007 Kwon
D545,820 S 7/2007 Won et al.
D546,331 S 7/2007 Kim
D547,276 S 7/2007 Yang et al.
D547,313 S 7/2007 Kim
D548,205 S 8/2007 Kim et al.
D548,206 S 8/2007 Han
D548,226 S * 8/2007 Ohba et al. D14/239
D548,708 S 8/2007 Park et al.
D551,186 S 9/2007 Yang et al.
D551,194 S 9/2007 Kim et al.
D551,636 S 9/2007 Kang et al.
D553,108 S 10/2007 Won et al.
D554,601 S 11/2007 Won et al.
D556,159 S 11/2007 Park et al.
D556,160 S 11/2007 Lee et al.
D556,709 S 12/2007 Kim et al.
D556,755 S 12/2007 Lee et al.
D556,756 S 12/2007 Kataoka et al.
D556,757 S 12/2007 Kim et al.
D558,201 S 12/2007 Park et al.
D558,696 S 1/2008 Park et al.
D561,130 S 2/2008 Won et al.
D561,134 S 2/2008 Kim et al.
D561,135 S 2/2008 Won et al.
D561,136 S 2/2008 Won et al.
D563,337 S * 3/2008 Bloem D14/126

D564,472 S 3/2008 Won et al.
D565,521 S 4/2008 Yang et al.
D567,198 S 4/2008 Yang et al.
D567,199 S 4/2008 Kim et al.
D569,818 S 5/2008 Kim et al.
D570,841 S 6/2008 Kim et al.
D572,680 S 7/2008 Lee et al.
D572,682 S 7/2008 Won et al.
D573,118 S 7/2008 Yang et al.
D573,559 S 7/2008 Kim et al.
D576,622 S 9/2008 Park
D578,973 S * 10/2008 Chiu D14/126

OTHER PUBLICATIONS

U.S. Appl. No. 29/301,658, Applicant: Eui-Seok Kim, et al., filed Mar. 12, 2008 entitled LCD Monitor.
U.S. Appl. No. 29/286,893, Applicant: Seung-Ho Lee, et al., filed May 22, 2007 entitled LCD Television Set.
U.S. Appl. No. 29/293,974, Applicant: Eui-Seok Kim, et al., filed Dec. 19, 2007 entitled LCD Monitor.
U.S. Appl. No. 29/293,973, Applicant: Eui-Seok Kim, et al., filed Dec. 19, 2007 entitled LCD Monitor.
U.S. Appl. No. 29/291,993, Applicant: Jun-Ho Yang, et al., filed Sep. 25, 2007 entitled PDP Television Receiver.
U.S. Appl. No. 29/301,676, Applicant: Eui-Seok Kim, et al., filed Mar. 12, 2008 entitled LCD Monitor.
U.S. Appl. No. 29/307,957, Applicant: Jae-Seung Song, et al., filed May 20, 2008 entitled LCD Monitor.
U.S. Appl. No. 29/307,943, Applicant: Jun-Ho Yang, et al., filed May 20, 2008 entitled LCD Television Set.
U.S. Appl. No. 29/307,941, Applicant: Jun-Ho Yang, et al., filed May 20, 2008 entitled LCD Television Set.
U.S. Appl. No. 29/310,075, Applicant: Kyu-Mi Han, filed Jul. 24, 2008 entitled LCD Monitor.
U.S. Appl. No. 29/308,894, Applicant: Eui-Seok Kim, et al., filed Jul. 14, 2008 entitled LCD Monitor.
U.S. Appl. No. 29/308,635, Applicant: Ki-Soo Kim, et al., filed Jun. 27, 2008 entitled LCD Monitor.

* cited by examiner

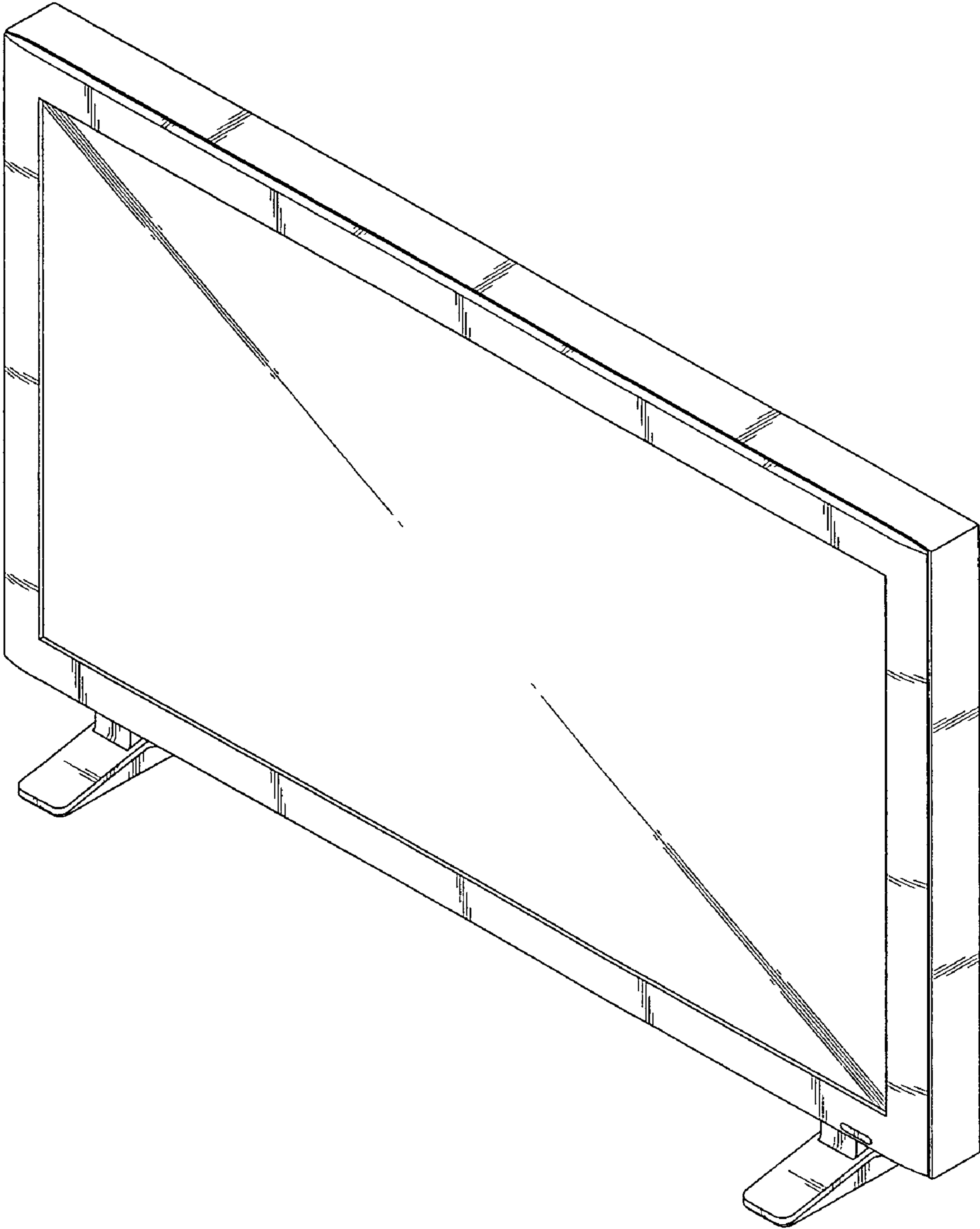


FIG.1

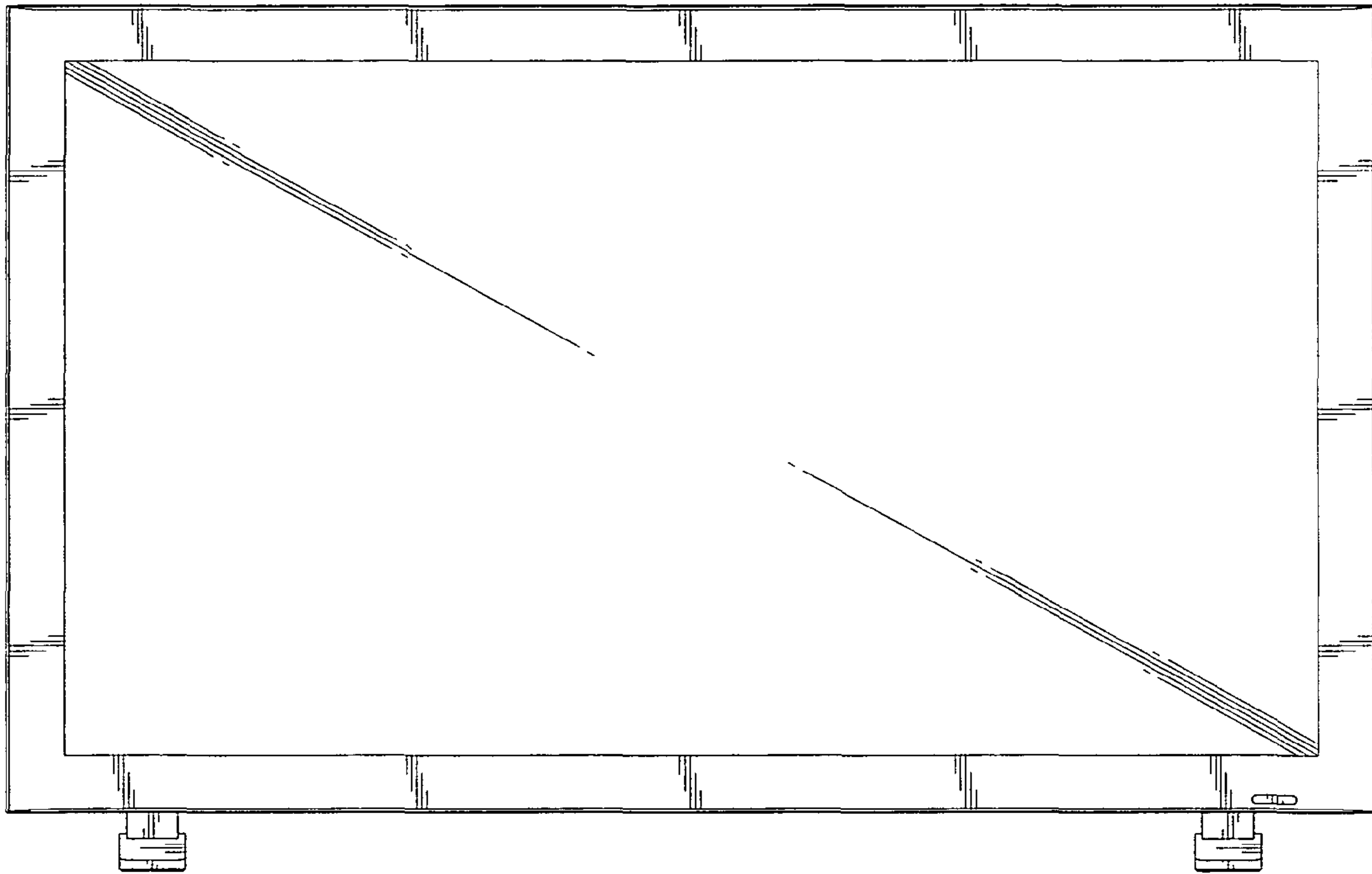


FIG.2

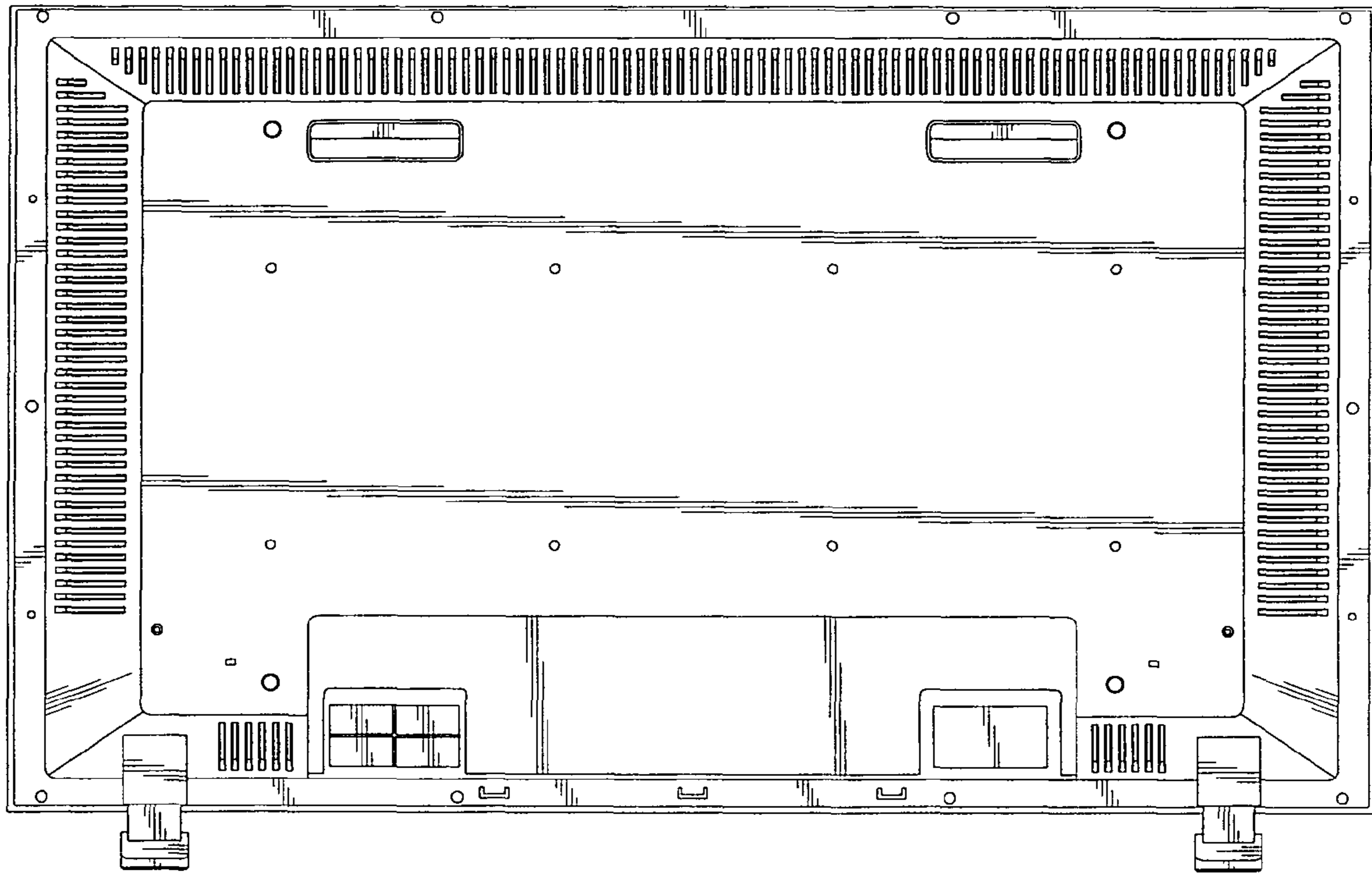


FIG.3

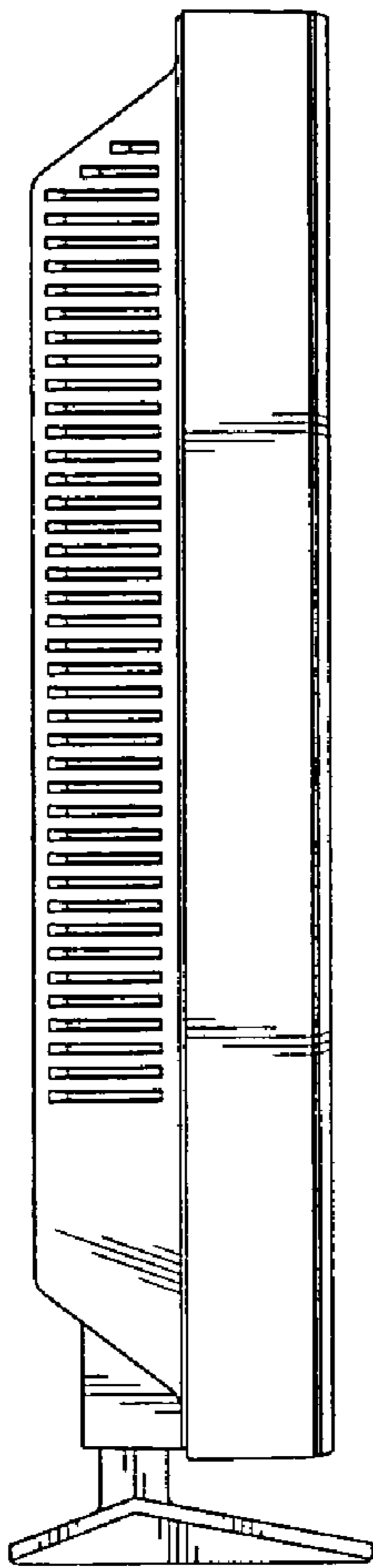


FIG. 4

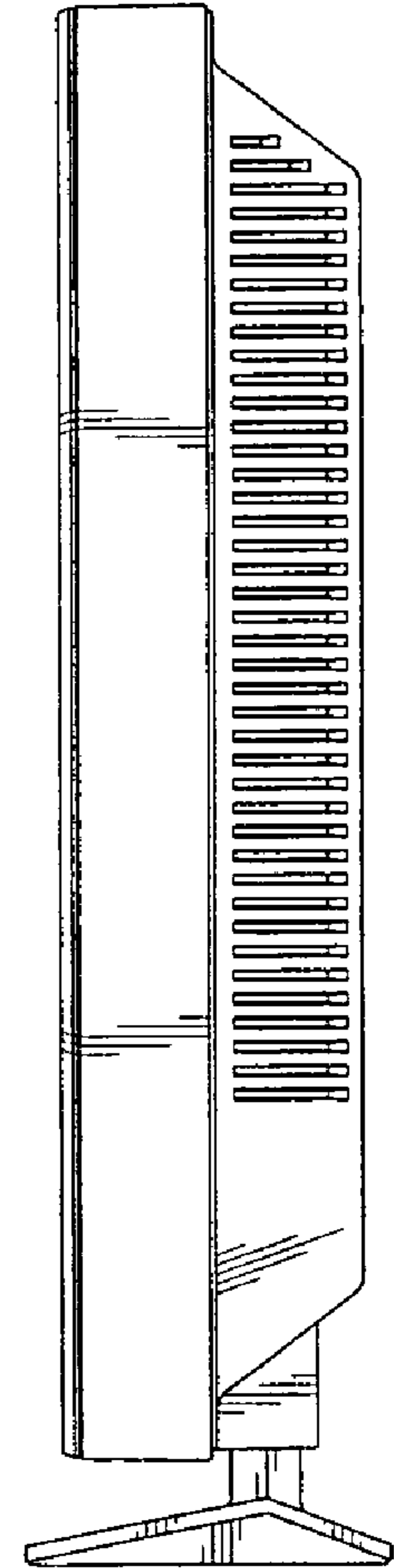


FIG. 5

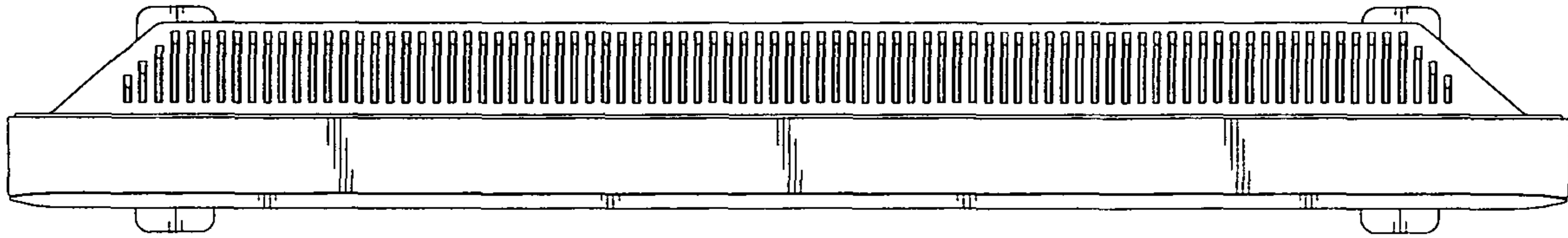


FIG. 6

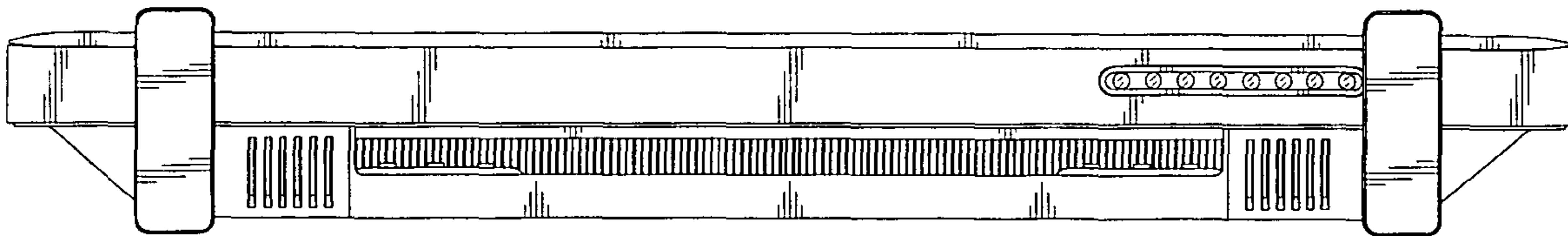


FIG. 7