



US00D620456S

(12) **United States Design Patent**
Akana et al.

(10) **Patent No.:** **US D620,456 S**
(45) **Date of Patent:** **** Jul. 27, 2010**

(54) **REMOTE CONTROL**

(75) Inventors: **Jody Akana**, San Francisco, CA (US);
Bartley K. Andre, Menlo Park, CA
(US); **Jeremy Bataillou**, San Francisco,
CA (US); **Daniel J. Coster**, San
Francisco, CA (US); **Daniele De Iuliis**,
San Francisco, CA (US); **Evans**
Hankey, San Francisco, CA (US);
Richard P. Howarth, San Francisco, CA
(US); **Jonathan P. Ive**, San Francisco,
CA (US); **Duncan Robert Kerr**, San
Francisco, CA (US); **Shin Nishibori**,
Portola Valley, CA (US); **Matthew Dean**
Rohrbach, San Francisco, CA (US);
Peter Russell-Clarke, San Francisco,
CA (US); **Christopher J. Stringer**,
Woodside, CA (US); **Eugene Antony**
Whang, San Francisco, CA (US); **Rico**
Zorkendorfer, San Francisco, CA (US)

(73) Assignee: **Apple Inc.**, Cupertino, CA (US)

(**) Term: **14 Years**

(21) Appl. No.: **29/345,286**

(22) Filed: **Oct. 13, 2009**

(51) **LOC (9) Cl.** **14-03**

(52) **U.S. Cl.** **D13/168**

(58) **Field of Classification Search** D13/168;
D10/104, 106; D14/203.3, 218, 247, 480.1,
D14/496; 340/825.22, 825.24, 825.25, 825.31,
340/825.36, 825.69, 825.72; 341/176; 455/352;
345/156

See application file for complete search history.

(56) **References Cited**

U.S. PATENT DOCUMENTS

D496,031 S * 9/2004 Ma et al. D14/240
D500,301 S 12/2004 Deguchi
D500,485 S * 1/2005 Deguchi D14/480.1
D509,480 S * 9/2005 Li D13/168
D534,921 S * 1/2007 Andre et al. D14/203.3
D539,814 S 4/2007 Andre et al.
D547,327 S 7/2007 Kin
D548,195 S * 8/2007 Poulet D13/168

D550,703 S 9/2007 Koizumi
D551,215 S * 9/2007 Lee et al. D14/218
D556,154 S * 11/2007 Poulet et al. D13/168
D560,230 S 1/2008 Yagi
D567,801 S * 4/2008 Trappler D14/218
D568,827 S * 5/2008 Ikeda et al. D13/168
D571,305 S * 6/2008 Thursfield D13/168
D584,292 S * 1/2009 Knight D14/218
D585,077 S 1/2009 Sheba et al.
D588,611 S 3/2009 Oh et al.
D589,963 S 4/2009 Sheba et al.
D592,677 S 5/2009 Sheba et al.
D595,669 S * 7/2009 Endo et al. D13/168

(Continued)

Primary Examiner—Selina Sikder

(74) *Attorney, Agent, or Firm*—Sterne, Kessler, Goldstein &
Fox PLLC

(57) **CLAIM**

The ornamental design for a remote control, as shown and
described.

DESCRIPTION

FIG. 1 is a bottom front perspective view of a remote control
showing our new design;

FIG. 2 is a bottom rear perspective view thereof;

FIG. 3 is top front perspective view thereof;

FIG. 4 is top rear perspective view thereof;

FIG. 5 is a front view thereof;

FIG. 6 is a rear view thereof;

FIG. 7 is a left side view thereof;

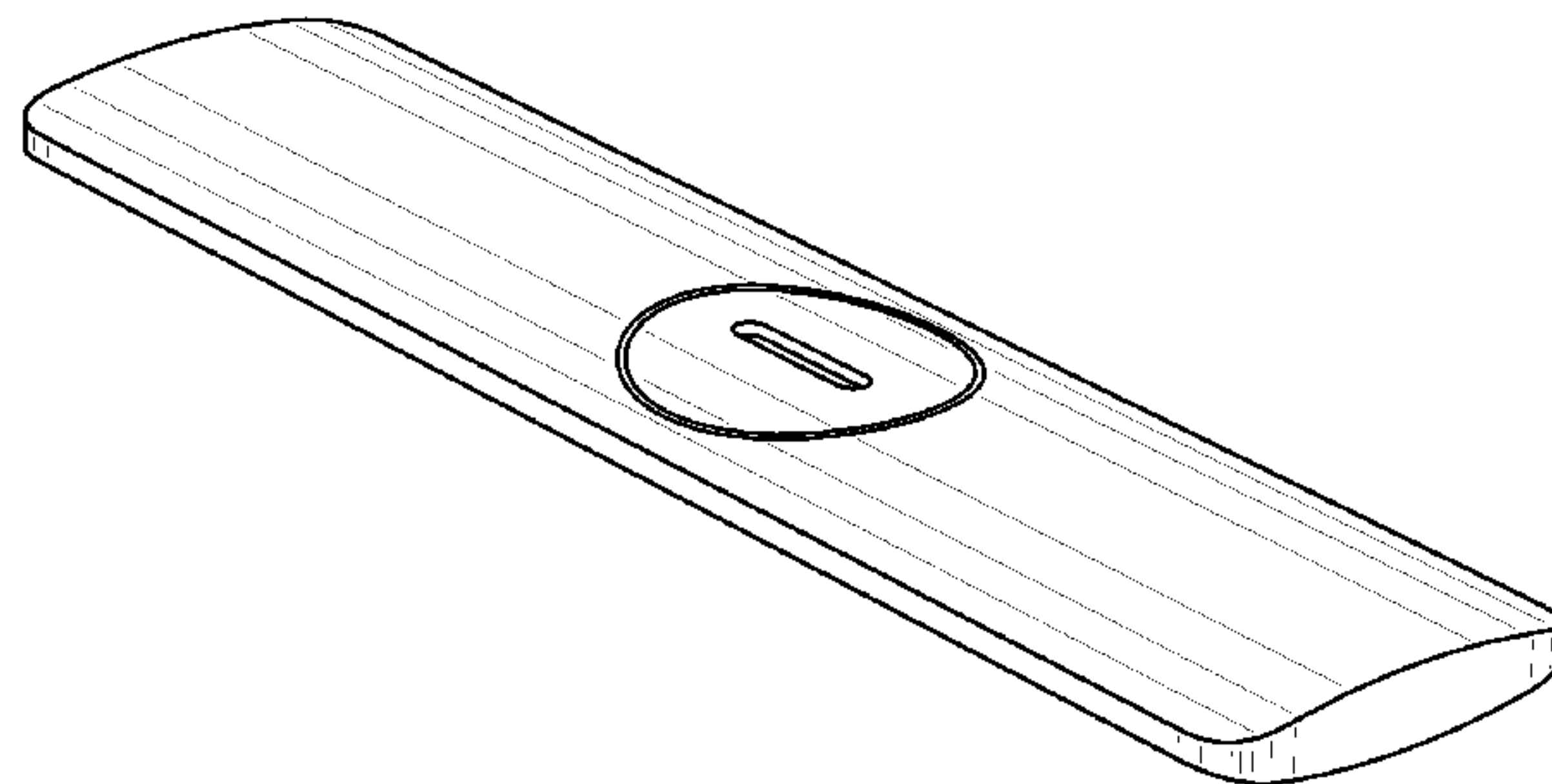
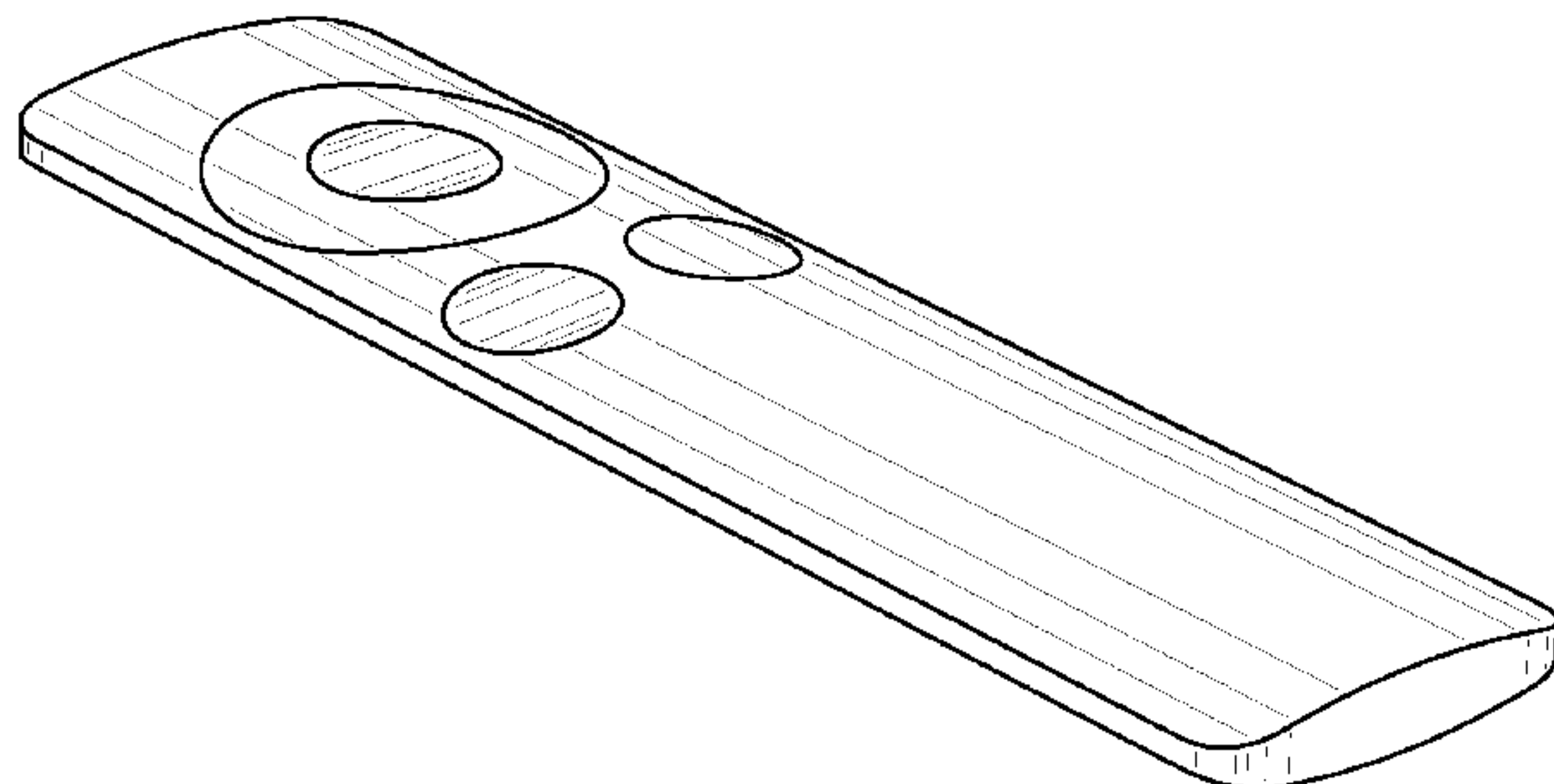
FIG. 8 is right side view thereof;

FIG. 9 is a top plan view thereof; and,

FIG. 10 is a bottom plan view thereof.

The shade lines in the Figures show contour and not surface
ornamentation.

1 Claim, 4 Drawing Sheets



US D620,456 S

Page 2

U.S. PATENT DOCUMENTS

D596,163 S *	7/2009	Madonna et al.	D14/218	D609,695 S *	2/2010	Cigliano et al.	D14/205
D604,713 S *	11/2009	Andre et al.	D14/203.3	D611,433 S *	3/2010	Tang et al.	D13/168
D604,723 S *	11/2009	Bodley et al.	D14/225	2004/0125078 A1 *	7/2004	Nishimori et al.	345/156
D608,303 S *	1/2010	Klausing et al.	D13/168	2005/0024321 A1 *	2/2005	Tsai	345/156

* cited by examiner

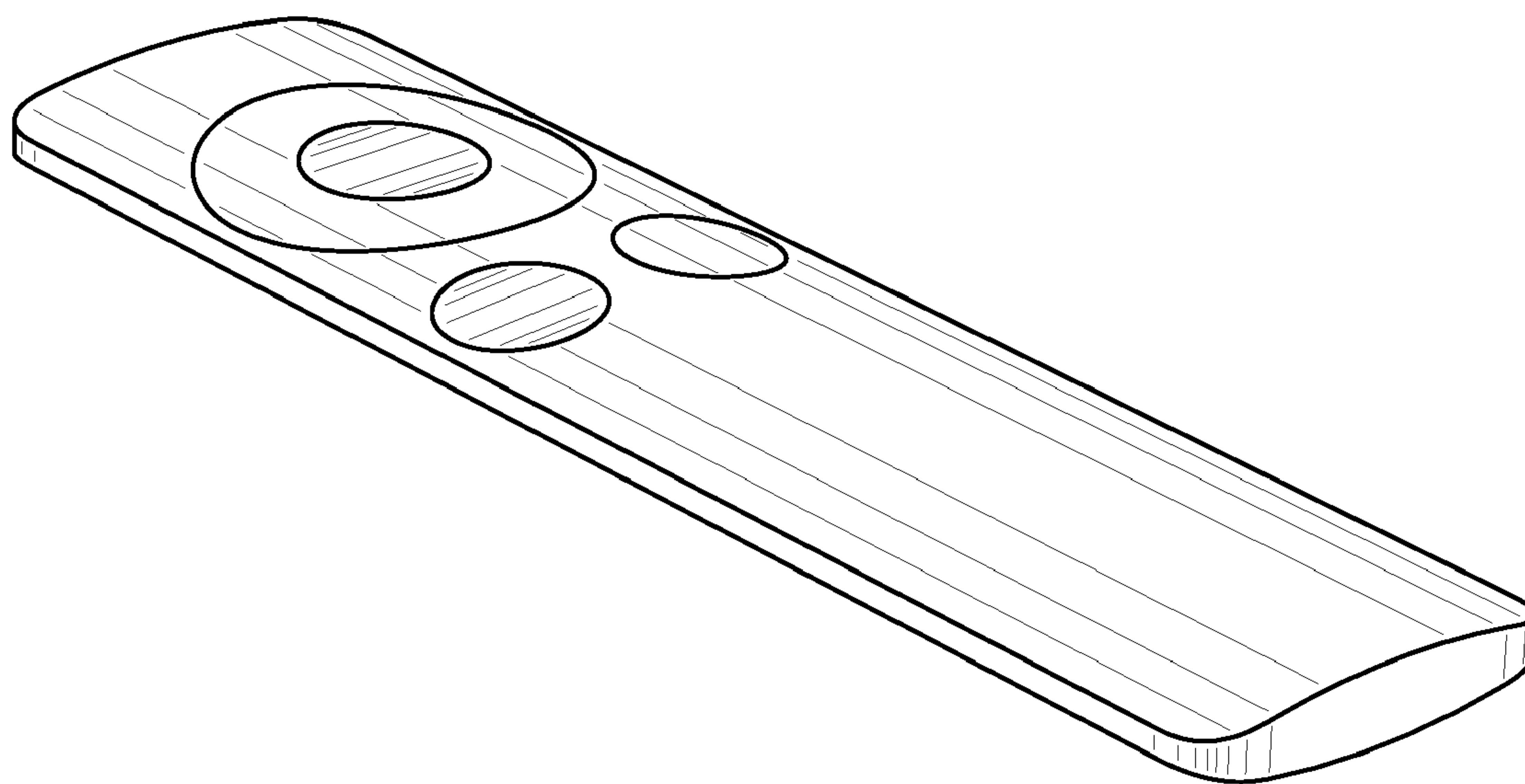


FIG. 1

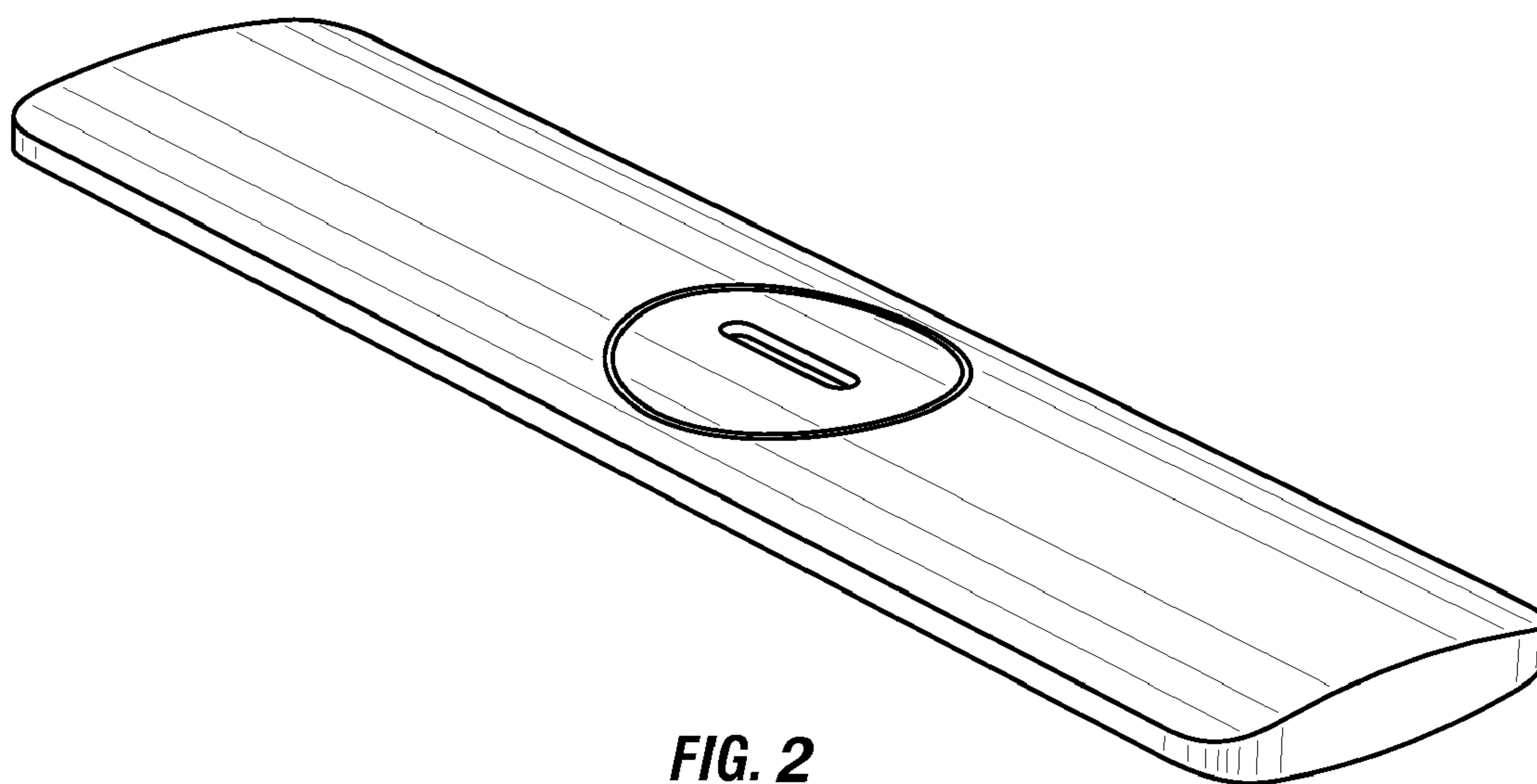


FIG. 2

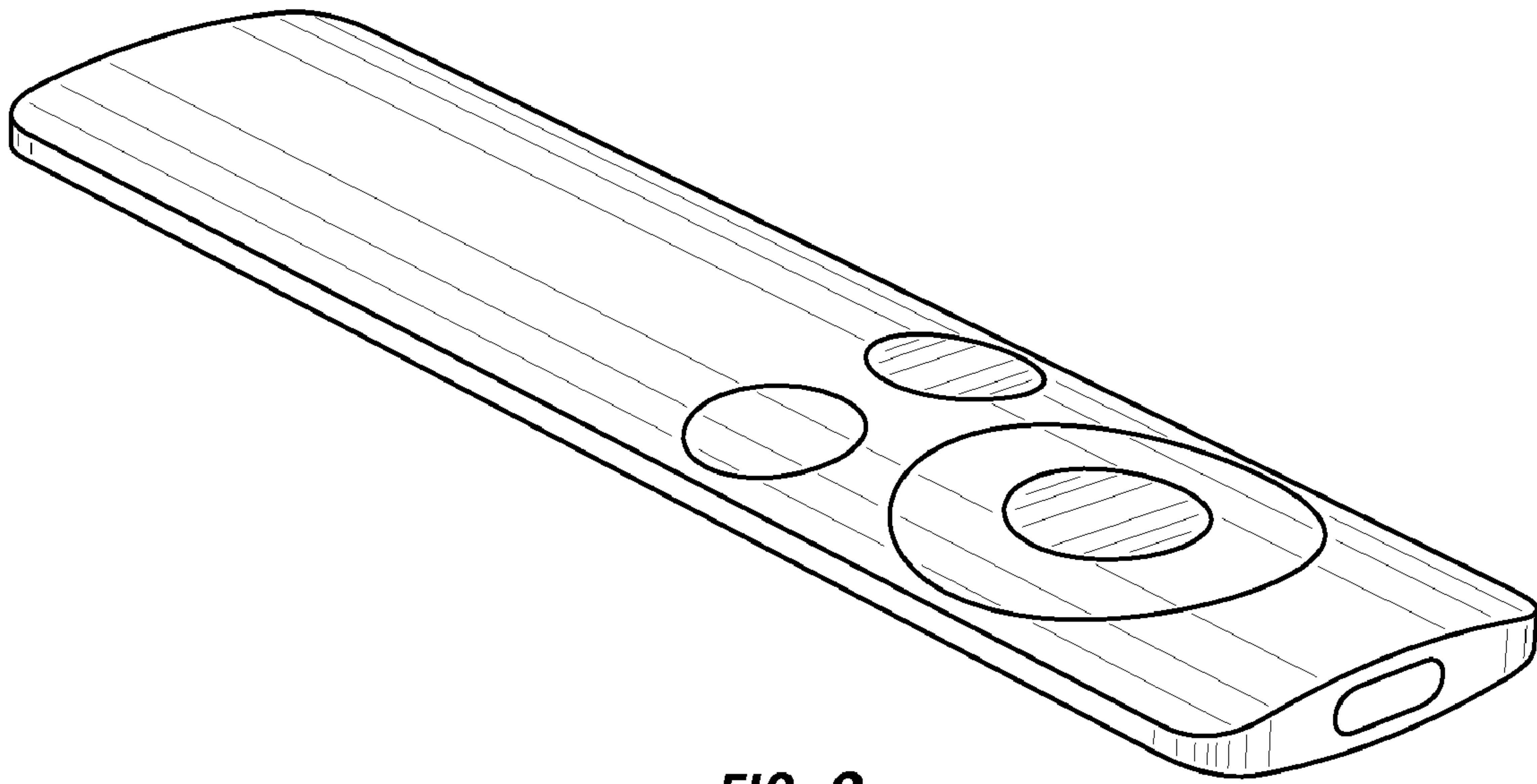


FIG. 3

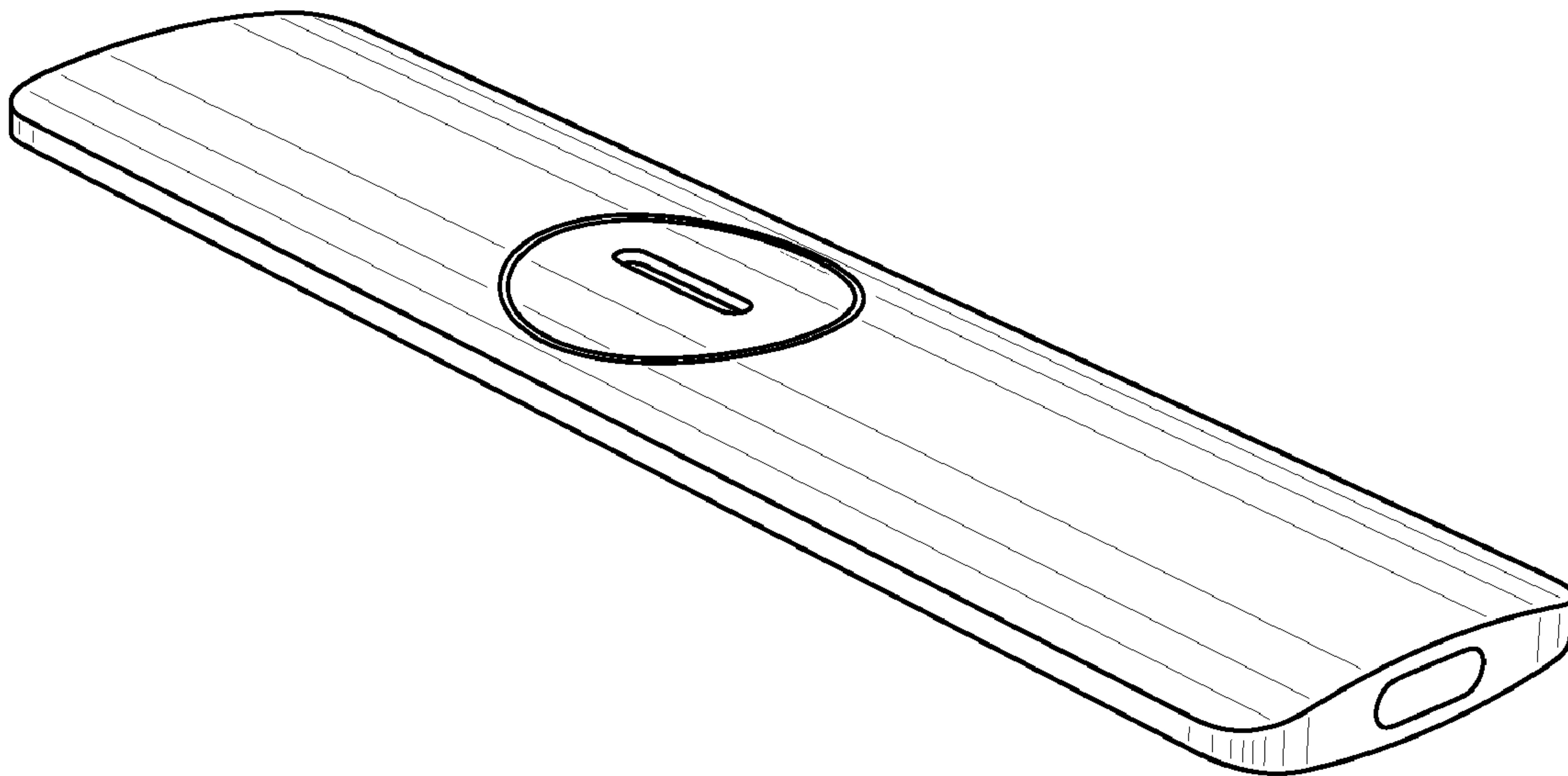


FIG. 4

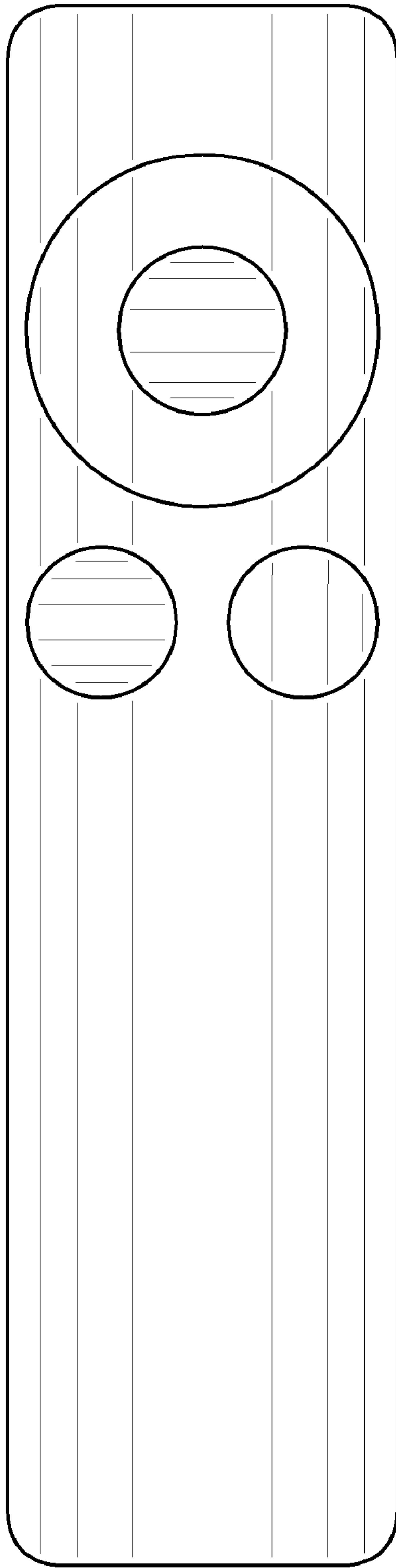


FIG. 5

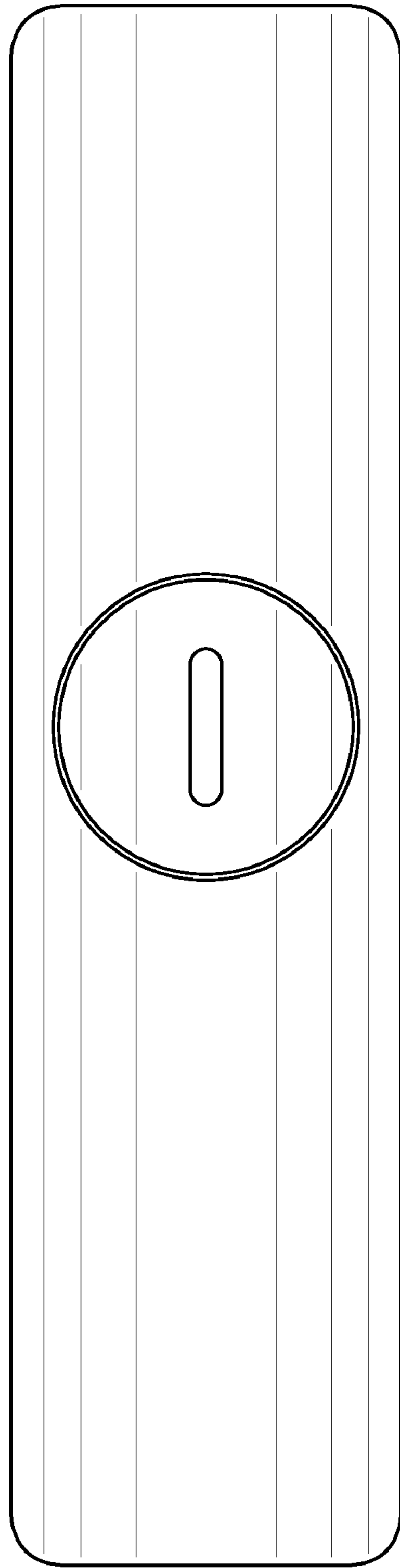


FIG. 6

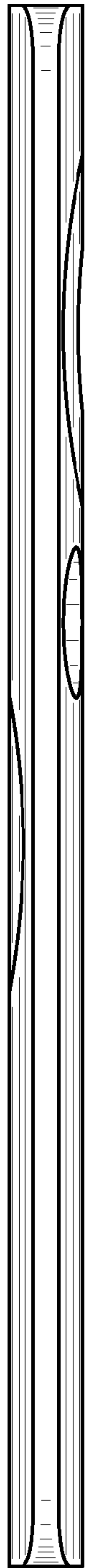


FIG. 7

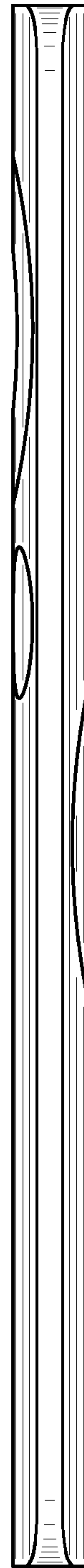


FIG. 8



FIG. 9



FIG. 10