



US00D620451S

(12) **United States Design Patent**  
**Corless et al.**

(10) **Patent No.:** **US D620,451 S**  
(45) **Date of Patent:** **\*\* Jul. 27, 2010**

(54) **PIN ADAPTOR**

(75) Inventors: **Jerry Corless**, Streetsboro, OH (US);  
**Gregory Rotenberg**, Highland Heights,  
OH (US)

(73) Assignee: **Cequent Consumer Products**, Solon,  
OH (US)

(\*\*) Term: **14 Years**

(21) Appl. No.: **29/345,943**

(22) Filed: **Oct. 23, 2009**

(51) **LOC (9) Cl.** ..... **13-03**

(52) **U.S. Cl.** ..... **D13/154**

(58) **Field of Classification Search** ..... D13/133,  
D13/137.1-139.8, 146, 147, 149, 151, 153,  
D13/154, 156, 158, 168, 173, 162, 184, 199;  
439/164, 259, 262, 310, 338, 344, 378, 379,  
439/891

See application file for complete search history.

(56) **References Cited**

**U.S. PATENT DOCUMENTS**

D342,937 S *	1/1994	Angel et al.	.....	D13/146
5,443,389 A	8/1995	Hughes		
D370,204 S *	5/1996	Kittridge	.....	D13/146
5,686,701 A	11/1997	Fukushima et al.		
5,766,020 A	6/1998	Hughes		
D409,125 S *	5/1999	Wang	.....	D12/162
D420,977 S *	2/2000	Lohrding	.....	D13/144
6,080,014 A	6/2000	Steiler		
6,305,945 B1	10/2001	Vance		
6,390,824 B1	5/2002	Vance		
6,447,302 B1	9/2002	Davis		
6,642,628 B2	11/2003	Burdick et al.		
6,695,621 B1	2/2004	Wang		
6,749,438 B1	6/2004	Scheller et al.		
D509,474 S *	9/2005	Bihrer	.....	D13/146
D528,078 S *	9/2006	Krieger et al.	.....	D13/144

D559,785 S *	1/2008	Tosetti	.....	D13/147
7,331,792 B2	2/2008	Cummings et al.		
7,435,125 B2	10/2008	Cummings et al.		
7,455,524 B1	11/2008	Fudala et al.		
D587,653 S *	3/2009	Barnes et al.	.....	D13/138.1
7,524,192 B2	4/2009	Cummings et al.		
D601,092 S *	9/2009	Rupp et al.	.....	D13/147
7,594,816 B1	9/2009	Wang		
D608,737 S *	1/2010	Upham et al.	.....	D13/147
2001/0050471 A1	12/2001	McCoy et al.		
2002/0125771 A1	9/2002	Kaminski		
2008/0032516 A1	2/2008	Cummings et al.		
2009/0176382 A1	7/2009	Chen		
2009/0181555 A1	7/2009	Cummings et al.		

\* cited by examiner

*Primary Examiner*—Daniel D Bui

*Assistant Examiner*—Thomas J Johannes

(74) *Attorney, Agent, or Firm*—McDonald Hopkins LLC

(57) **CLAIM**

The ornamental design of a pin adaptor, as shown and described.

**DESCRIPTION**

FIG. 1 is a perspective view of a pin adaptor showing our new design;

FIG. 2 is a front view thereof;

FIG. 3 is a rear view thereof;

FIG. 4 is a side view thereof;

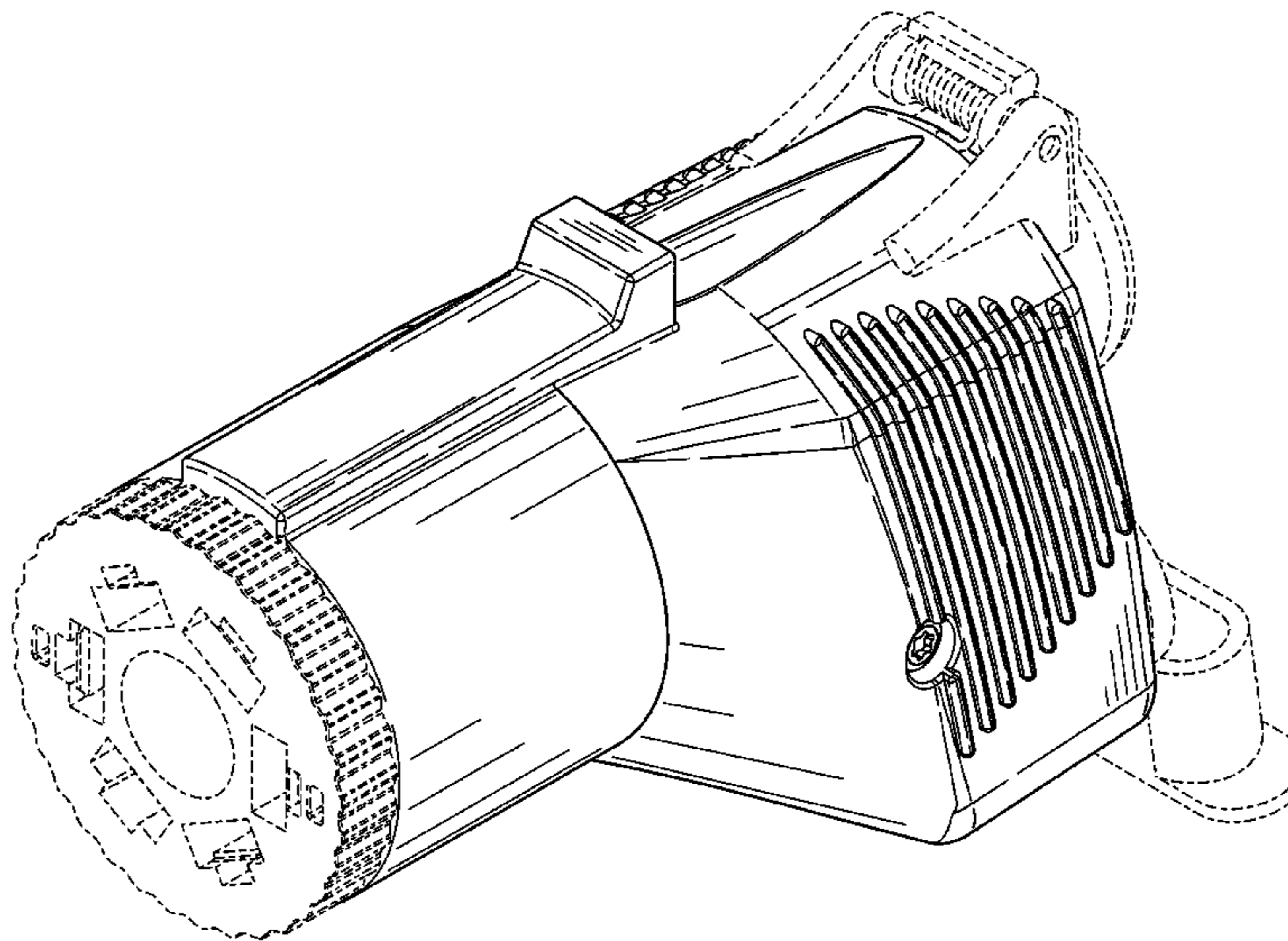
FIG. 5 is a side view thereof;

FIG. 6 is a top view thereof; and,

FIG. 7 is a bottom view thereof.

The broken line portion of the figure drawings is included to show unclaimed subject matter only and forms no part of the claimed design.

**1 Claim, 7 Drawing Sheets**



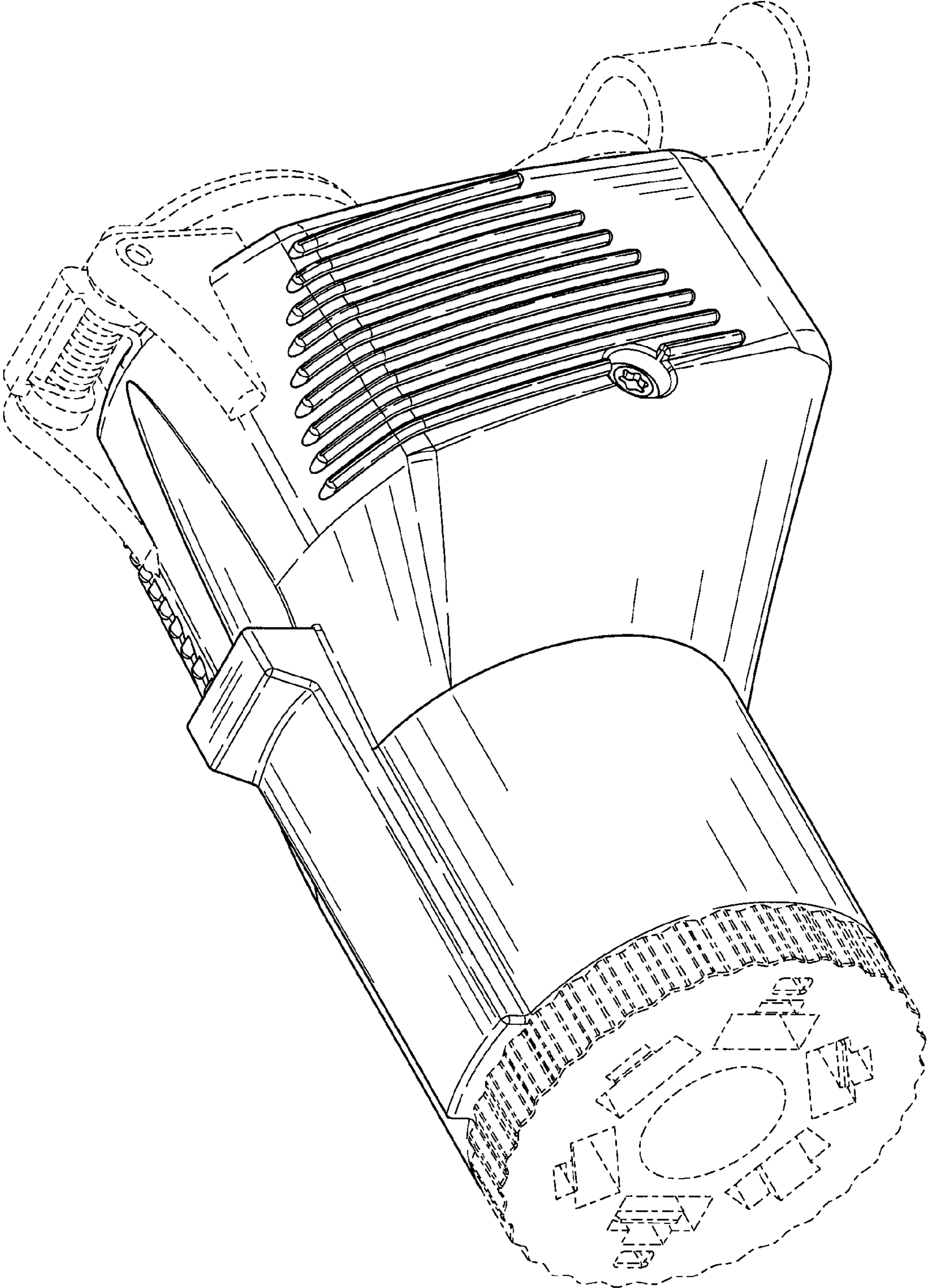


FIG. 1

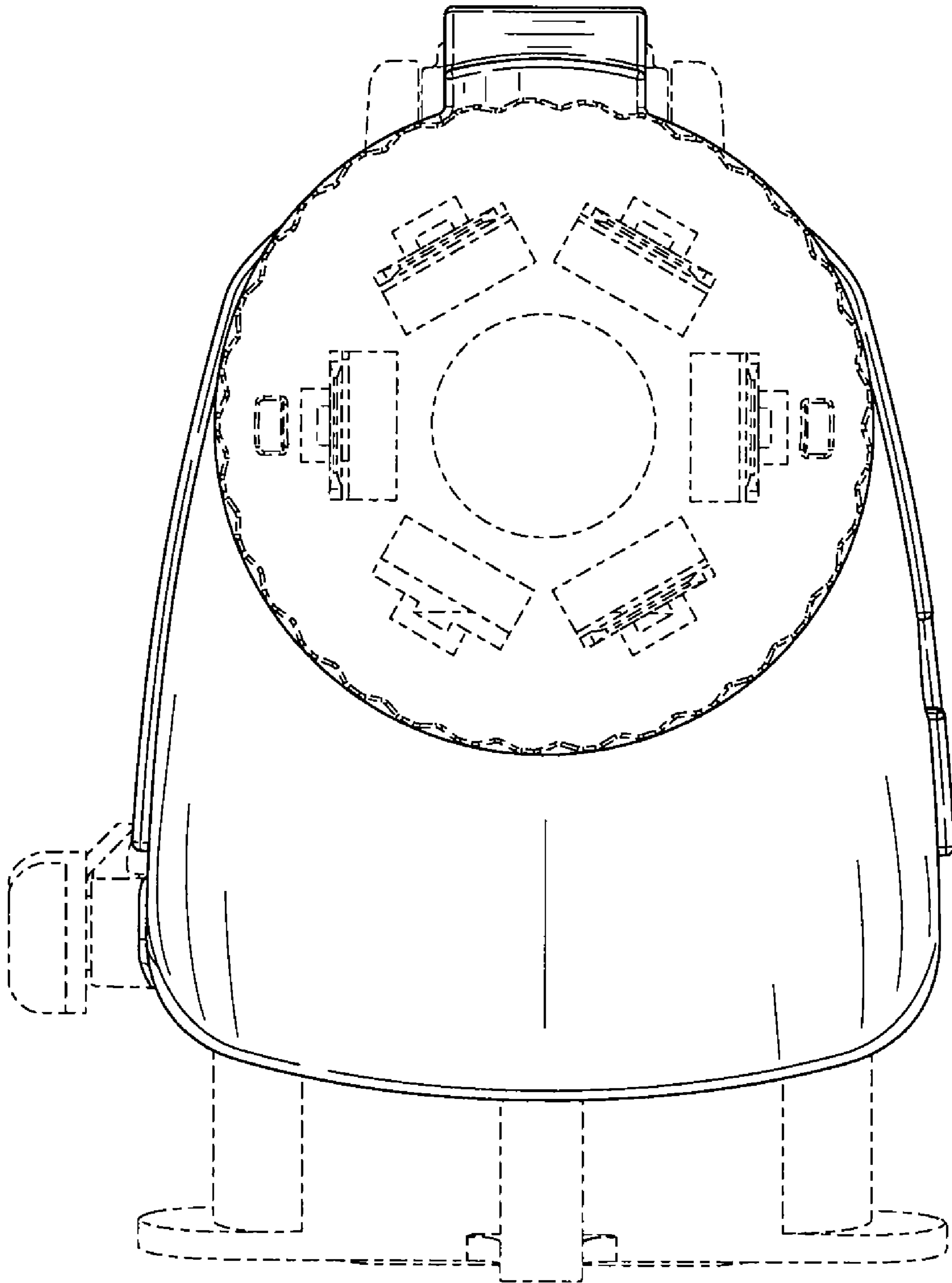


FIG. 2

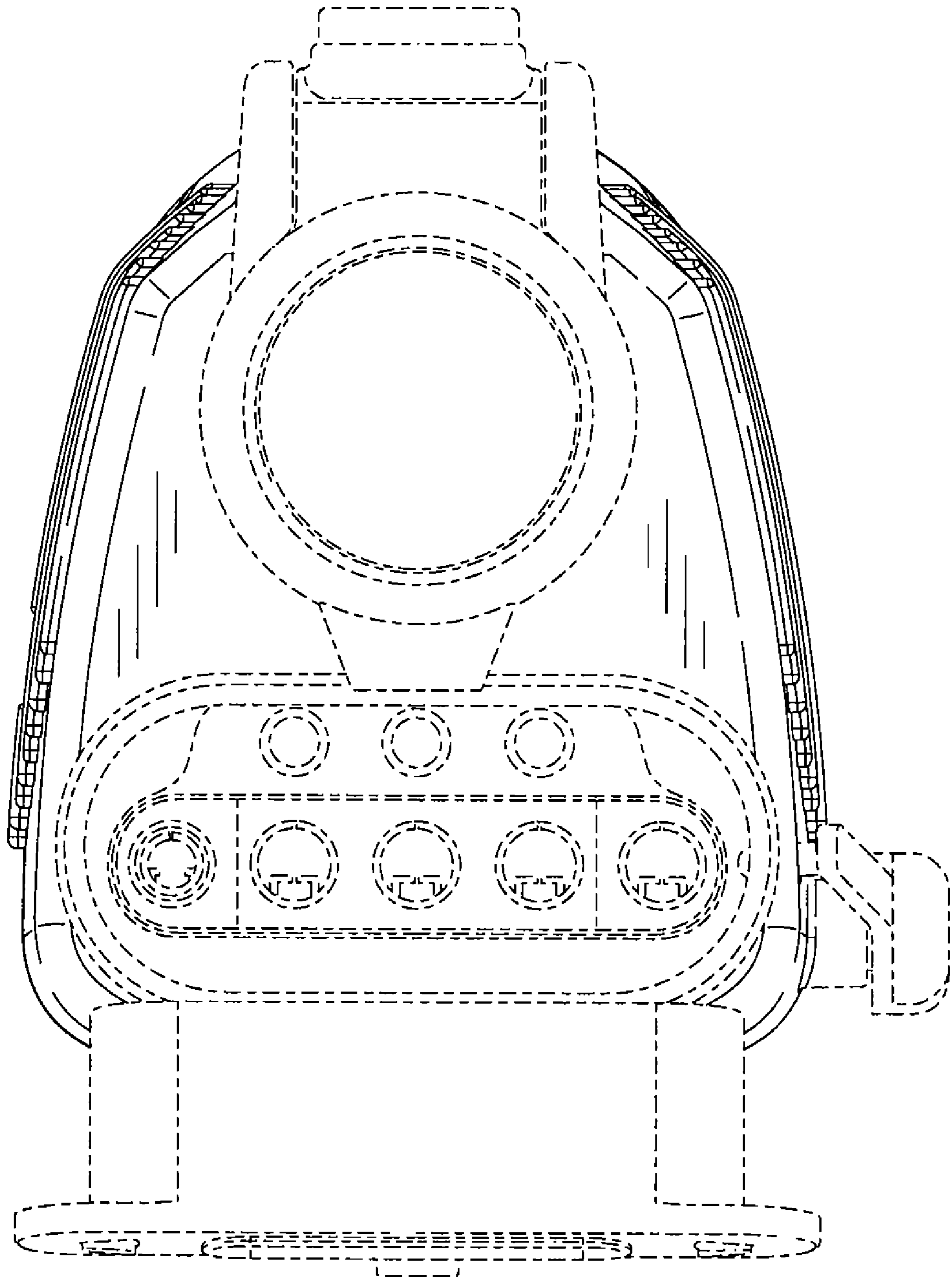


FIG. 3

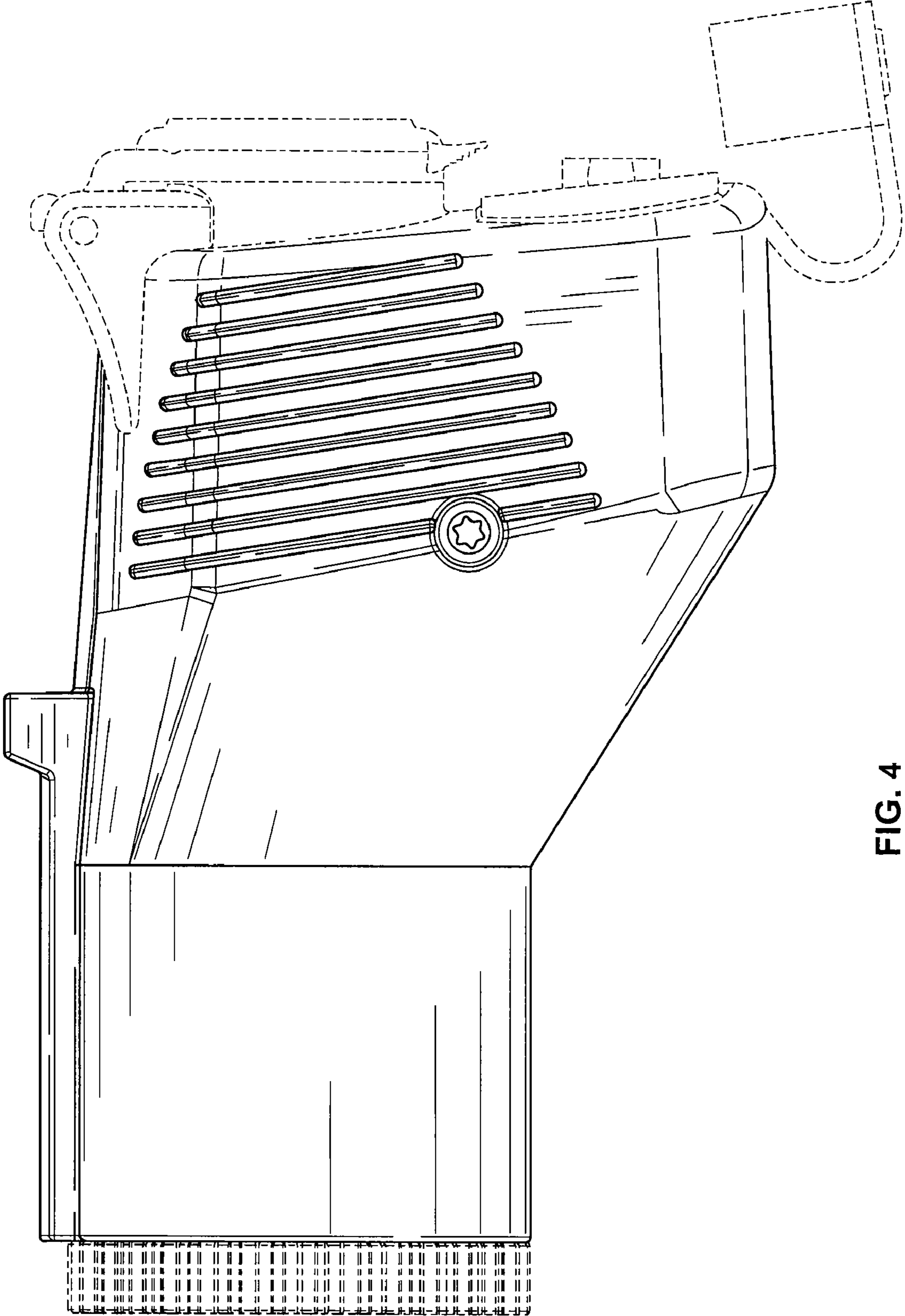


FIG. 4

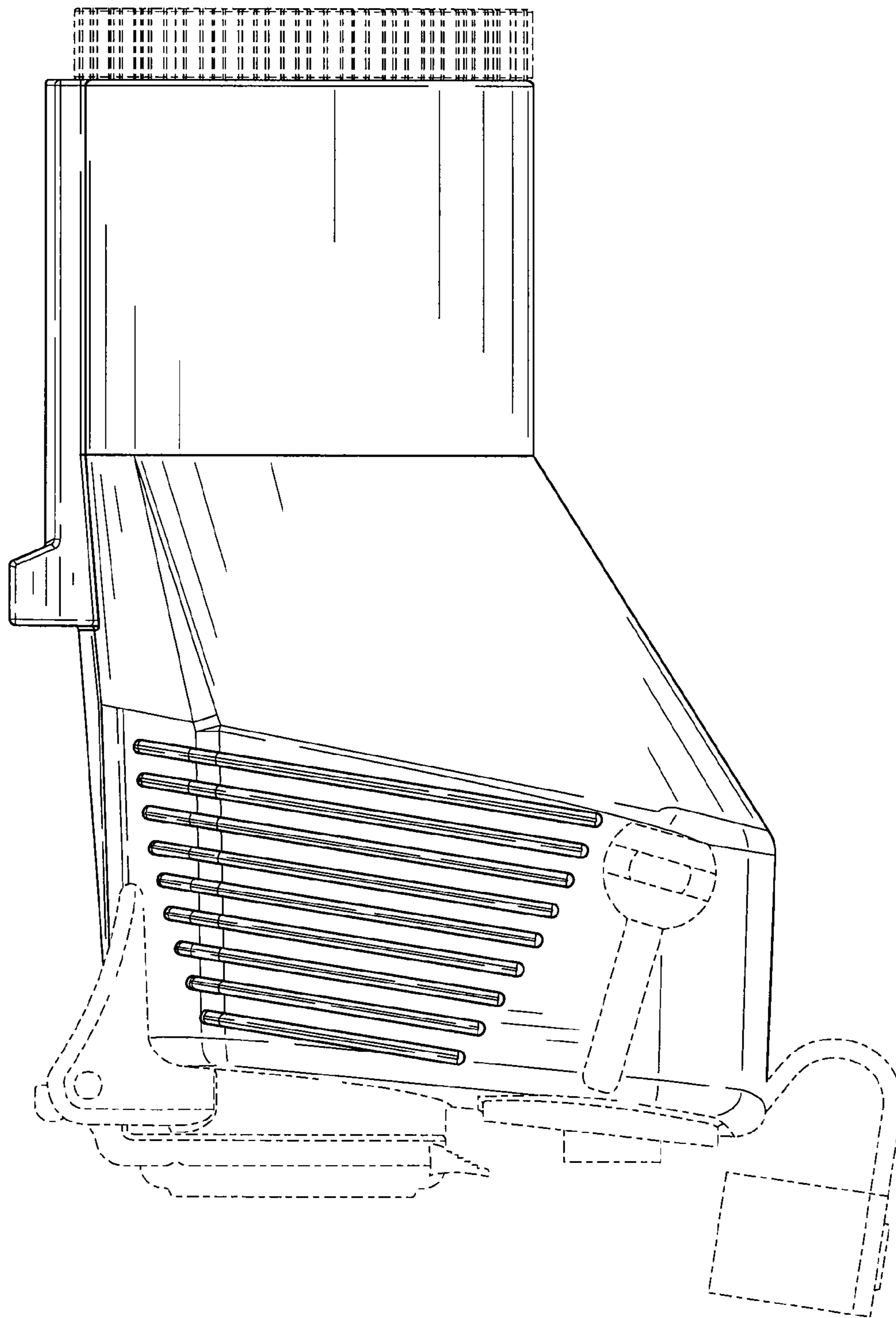


FIG. 5

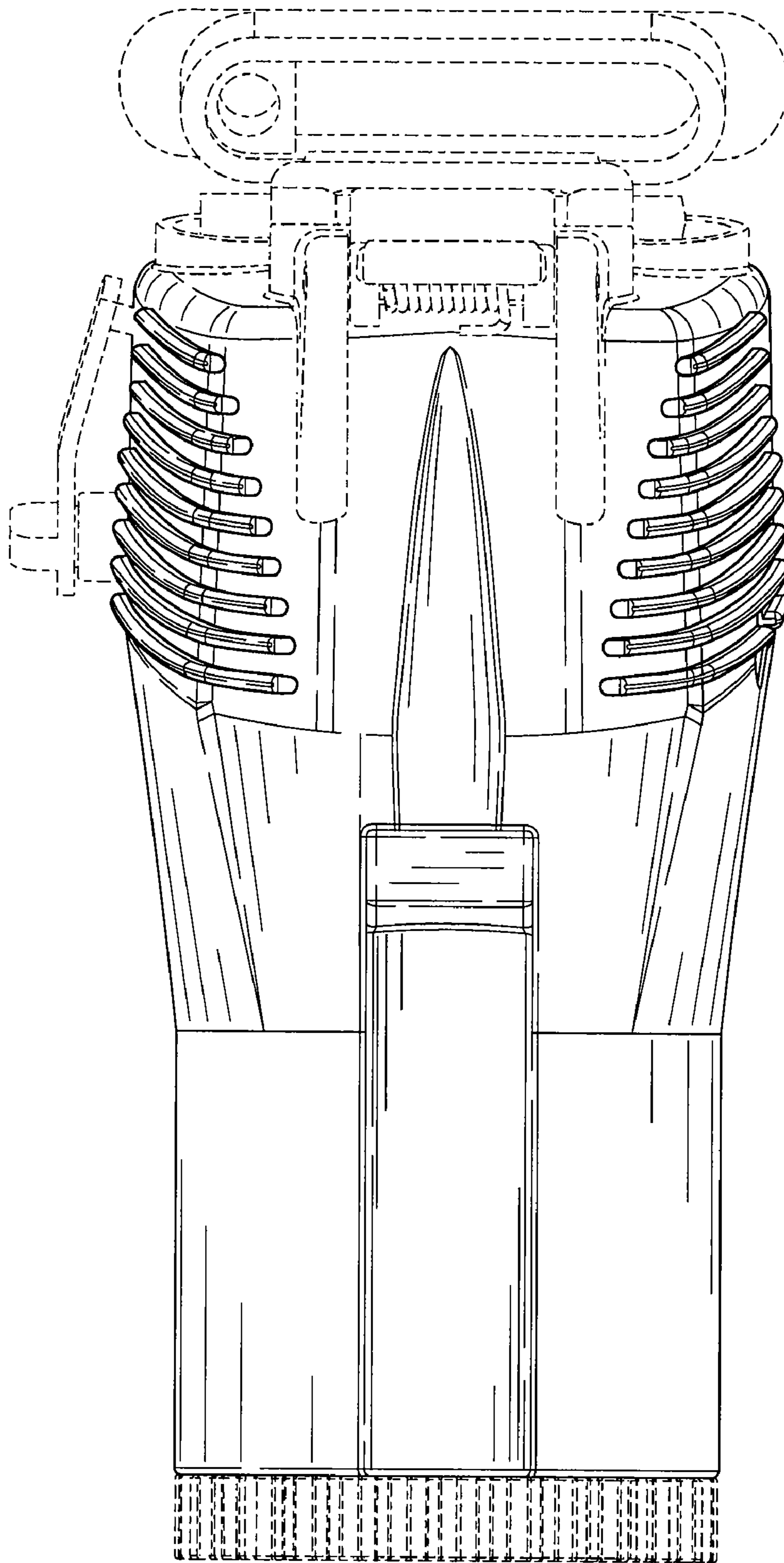


FIG. 6

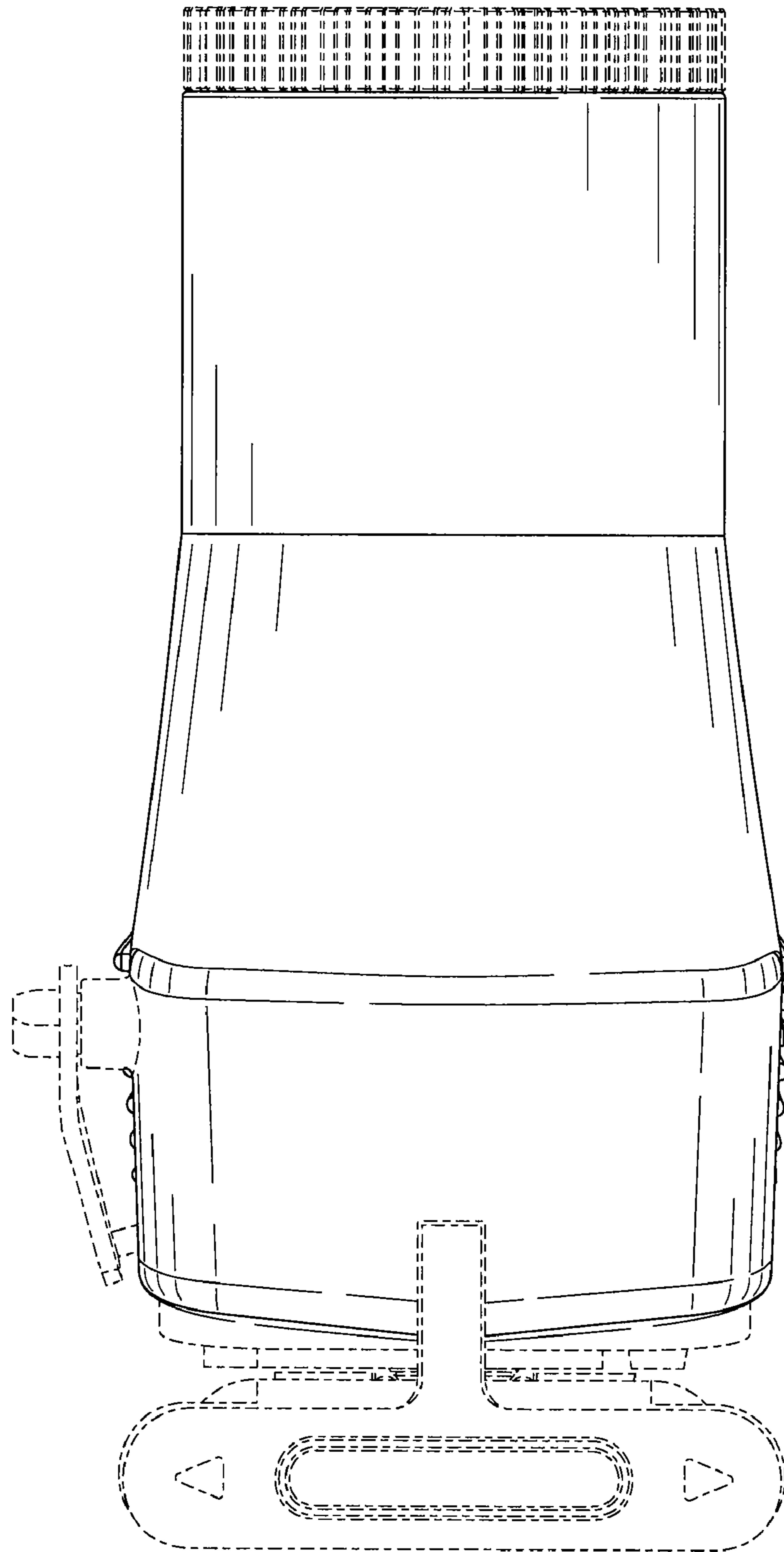


FIG. 7