



US00D620450S

(12) **United States Design Patent**
Andre et al.

(10) **Patent No.:** **US D620,450 S**
(45) **Date of Patent:** **** *Jul. 27, 2010**

(54) **CONNECTOR**

(75) Inventors: **Bartley K. Andre**, Menlo Park, CA (US); **Daniel J. Coster**, San Francisco, CA (US); **Daniele De Iuliis**, San Francisco, CA (US); **Evans Hankey**, San Francisco, CA (US); **Richard P. Howarth**, San Francisco, CA (US); **Jonathan P. Ive**, San Francisco, CA (US); **Duncan Robert Kerr**, San Francisco, CA (US); **Shin Nishibori**, Portola Valley, CA (US); **Matthew Dean Rohrbach**, San Francisco, CA (US); **Peter Russell-Clarke**, San Francisco, CA (US); **Douglas B. Satzger**, Menlo Park, CA (US); **Christopher J. Stringer**, Woodside, CA (US); **Eugene Antony Whang**, San Francisco, CA (US); **Rico Zorkendorfer**, San Francisco, CA (US)

(73) Assignee: **Apple Inc.**, Cupertino, CA (US)

(**) Term: **14 Years**

(21) Appl. No.: **29/345,127**

(22) Filed: **Oct. 9, 2009**

Related U.S. Application Data

(63) Continuation of application No. 29/294,334, filed on Jan. 4, 2008, now Pat. No. Des. 607,831.

(51) **LOC (9) Cl.** **13-03**

(52) **U.S. Cl.** **D13/154**

(58) **Field of Classification Search** D13/133, D13/146-147, 154, 184; 439/350, 352, 439, 439/447, 582, 58, 607-610, 660, 677, 680
See application file for complete search history.

(56) **References Cited**

U.S. PATENT DOCUMENTS

D349,099 S 7/1994 Robertson, Jr. et al.

D415,111 S	10/1999	Lee
D447,121 S	8/2001	Yim
D514,524 S	2/2006	Suckle
D550,158 S	9/2007	Victor
D553,092 S	10/2007	Arai et al.
7,540,773 B2	6/2009	Ko
2007/0072442 A1	3/2007	DiFonzo et al.
2007/0072443 A1	3/2007	Rohrbach et al.

OTHER PUBLICATIONS

Apple Inc., MacBook Pro, www.apple.com, available as early as Jan. 14, 2006.

Primary Examiner—Daniel D Bui

(74) *Attorney, Agent, or Firm*—SAIDMAN DesignLaw Group

(57) **CLAIM**

The ornamental design for a connector, as shown and described.

DESCRIPTION

FIG. 1 is a top, front perspective view of a connector showing our new design;

FIG. 2 is a bottom, front perspective view thereof;

FIG. 3 is a top, rear perspective view thereof;

FIG. 4 is a bottom, rear perspective view thereof;

FIG. 5 is a front view thereof;

FIG. 6 is a rear view thereof;

FIG. 7 is a left side view thereof;

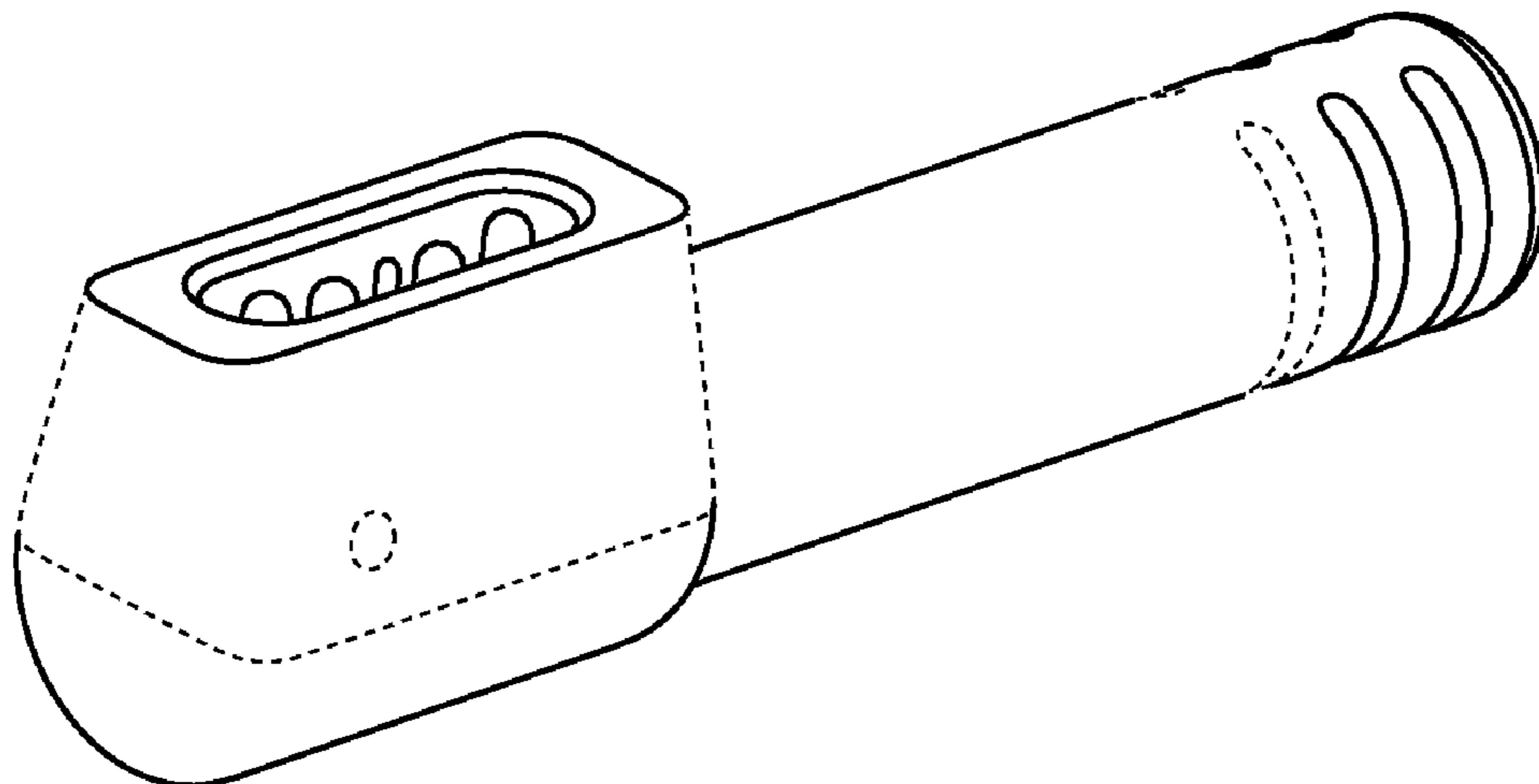
FIG. 8 is a right side view thereof;

FIG. 9 is a top view thereof; and,

FIG. 10 is a bottom view thereof.

The broken line showing is for the purpose of illustrating environmental structure and forms no part of the claimed design.

1 Claim, 5 Drawing Sheets



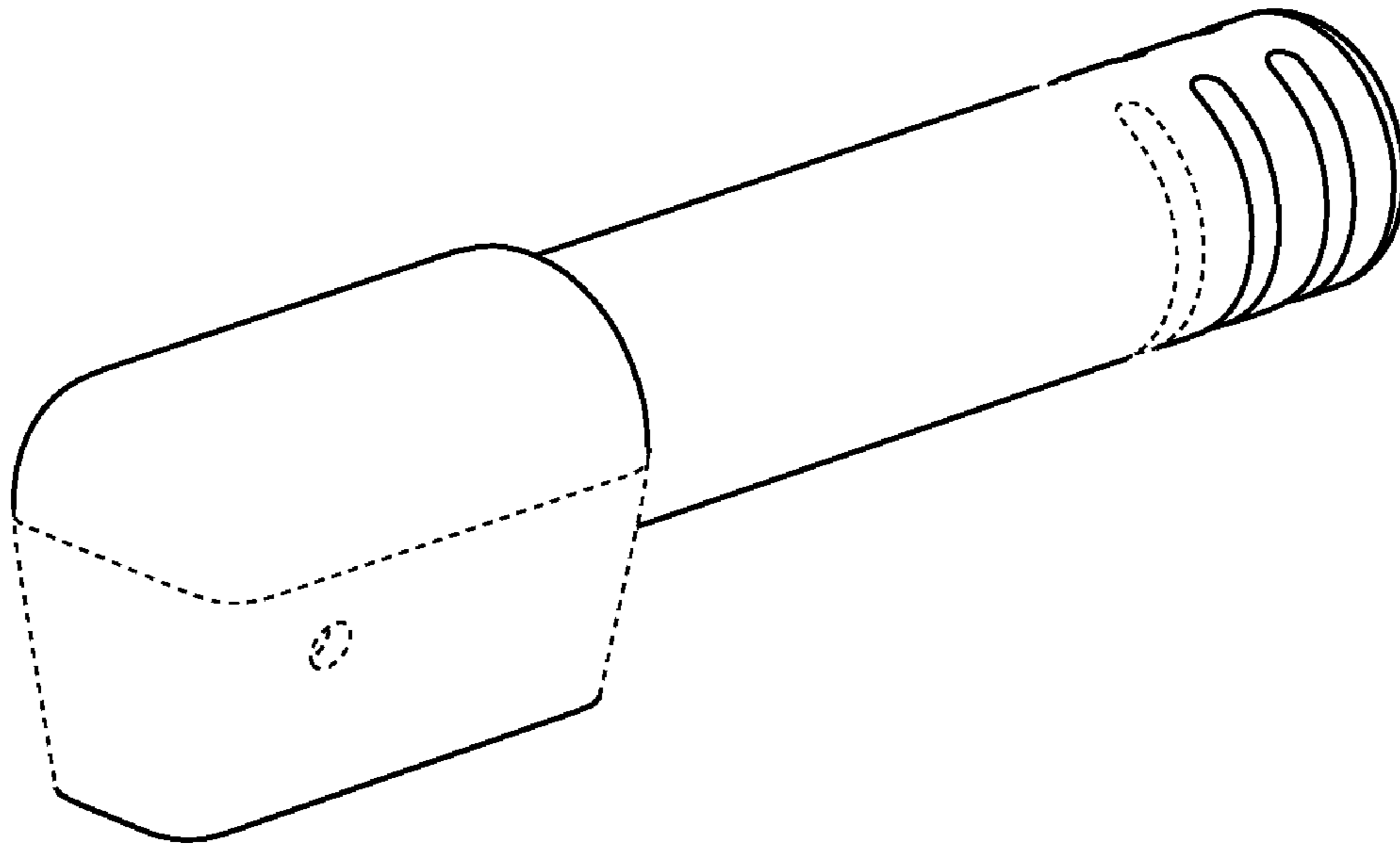


Fig. 1

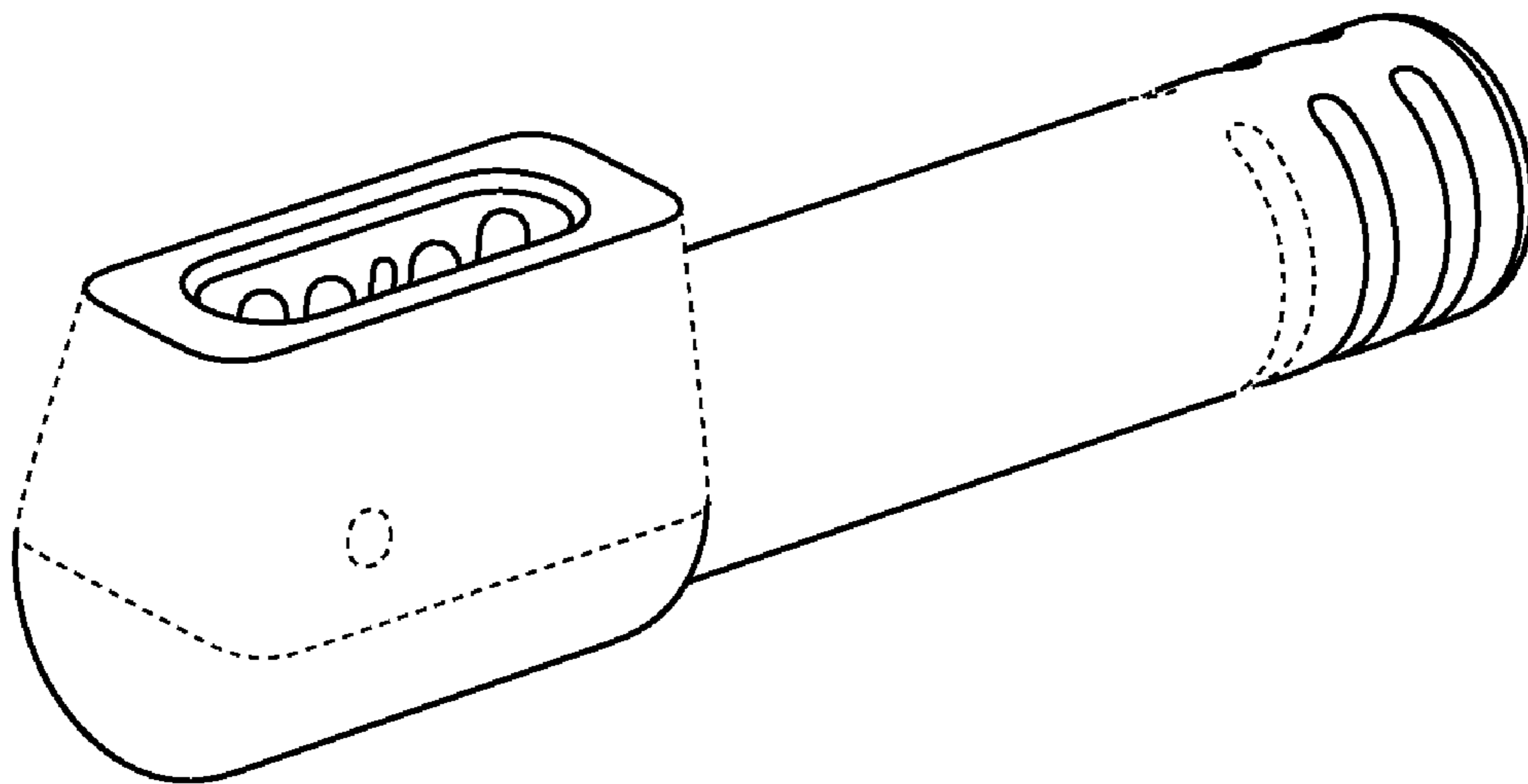


Fig. 2

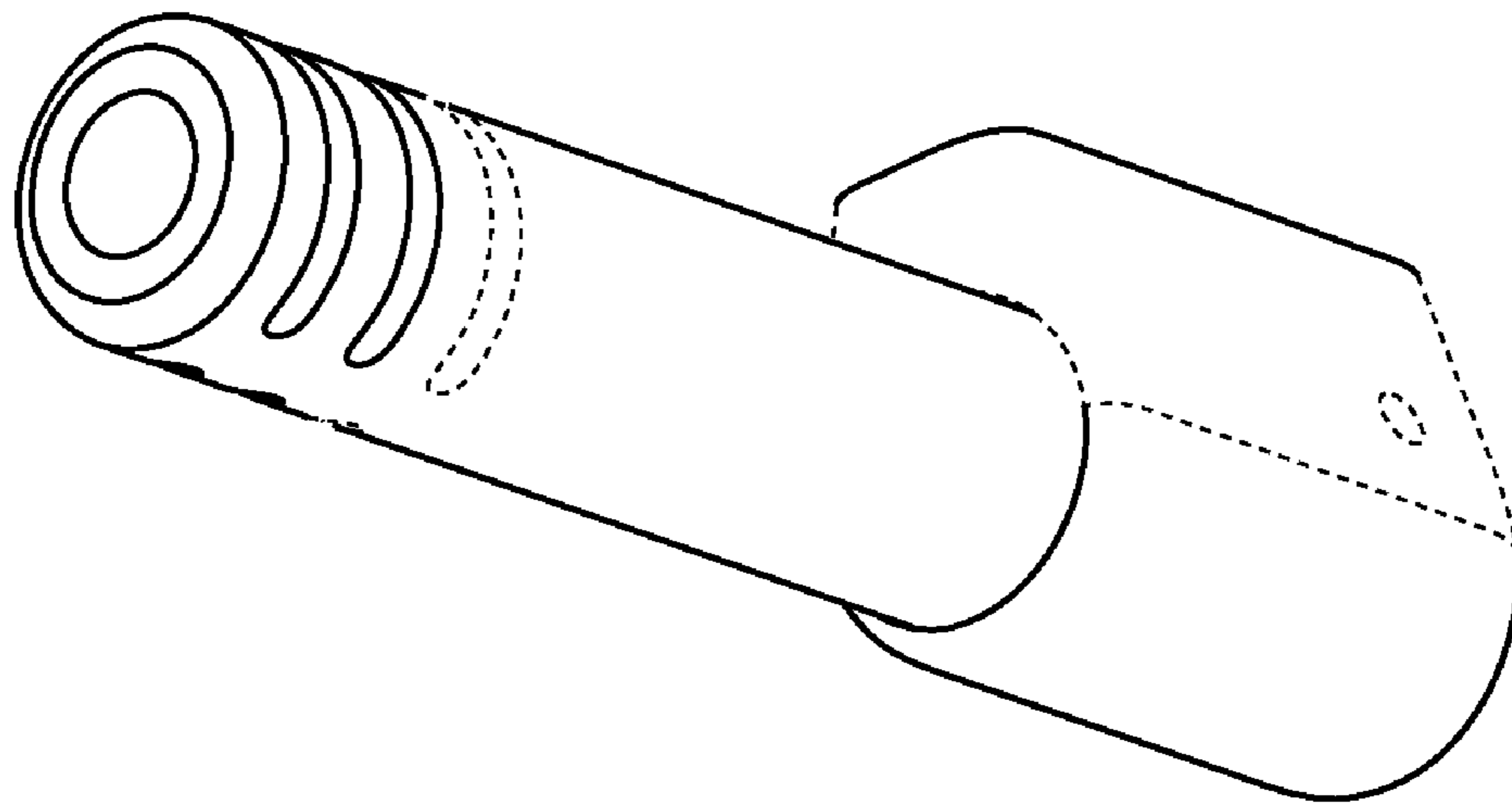


Fig. 3

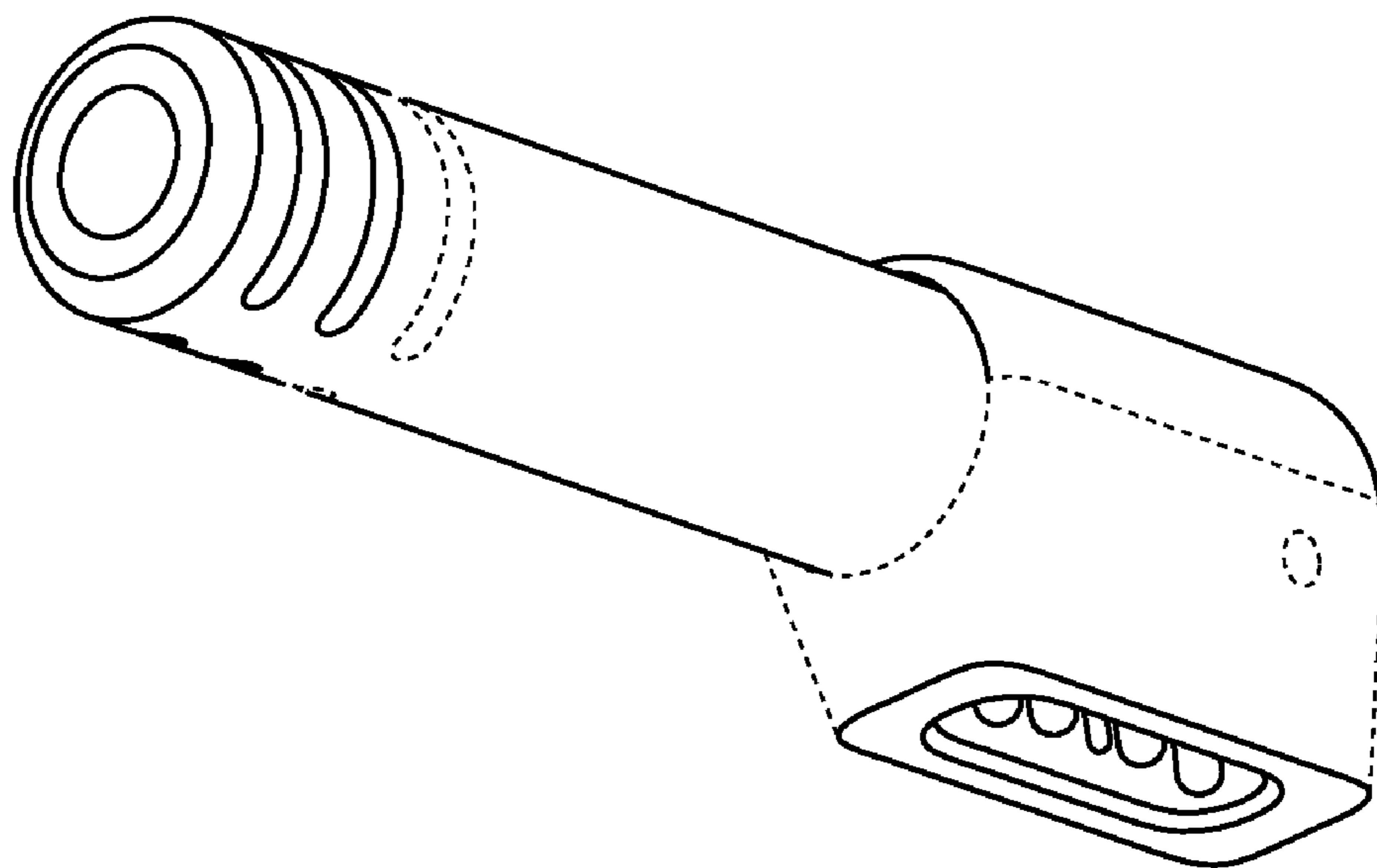


Fig. 4

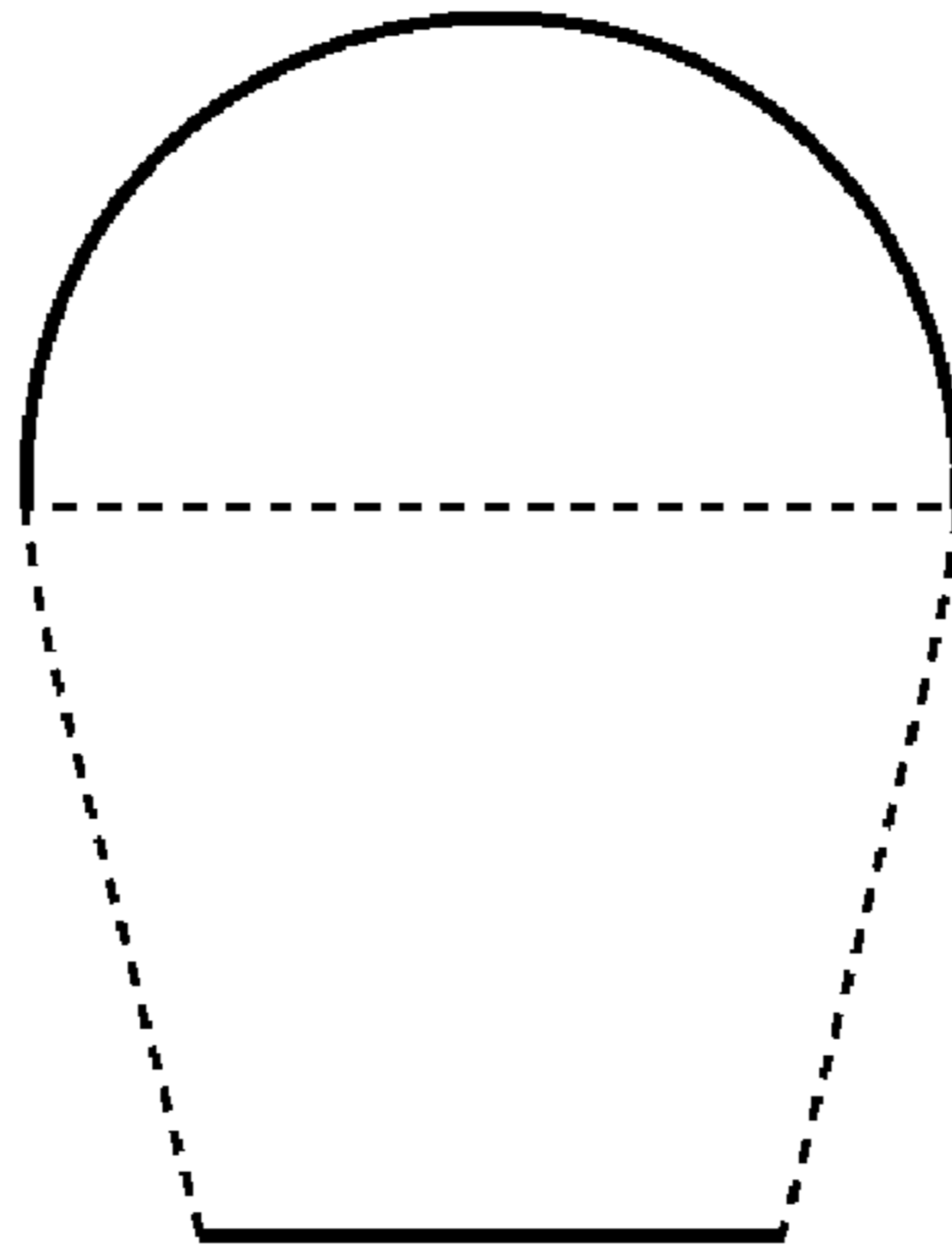


Fig. 5

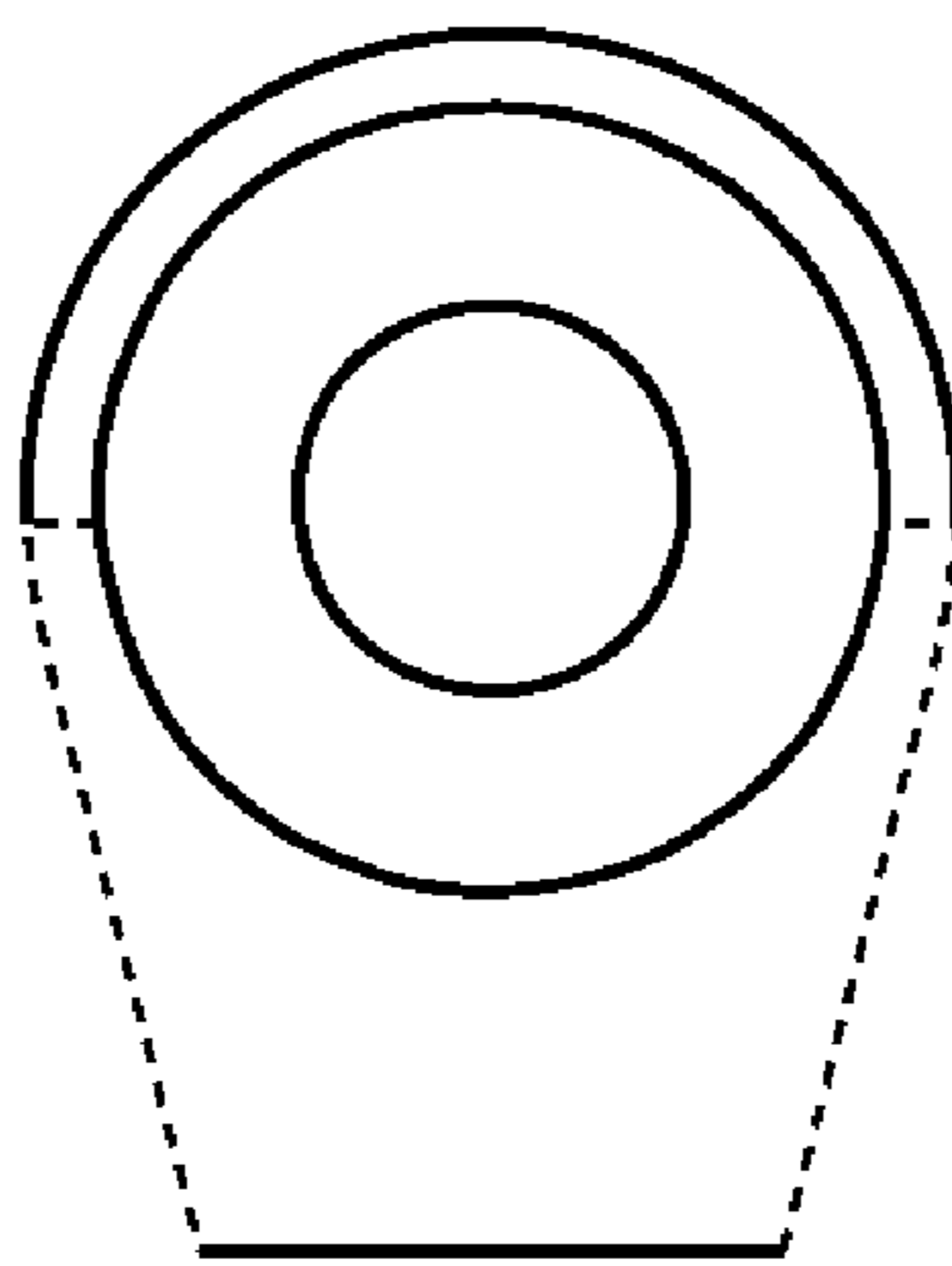


Fig. 6

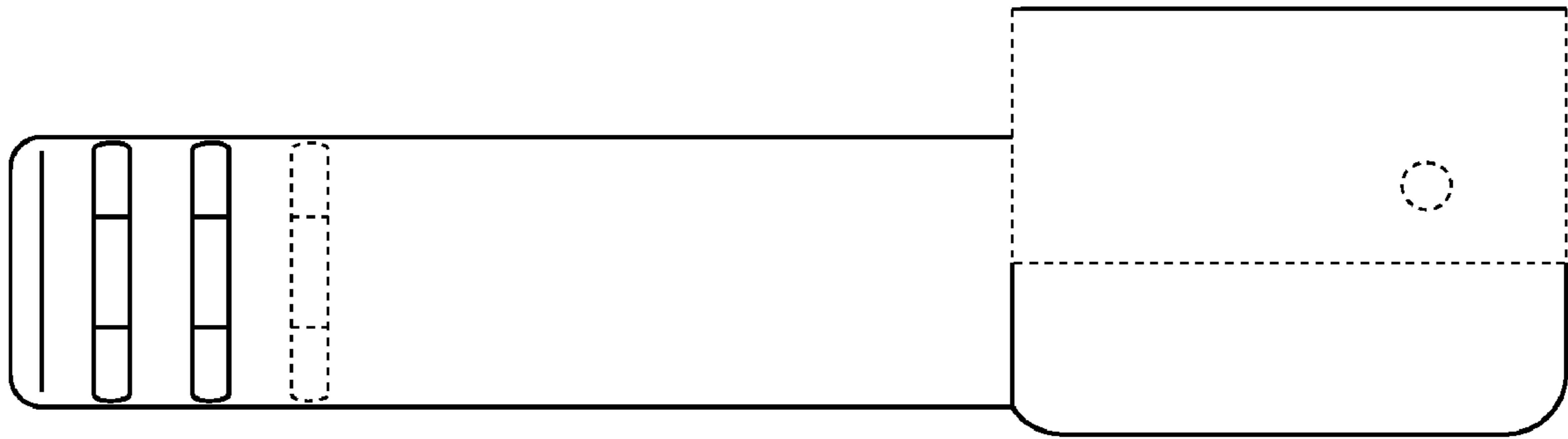


Fig. 7

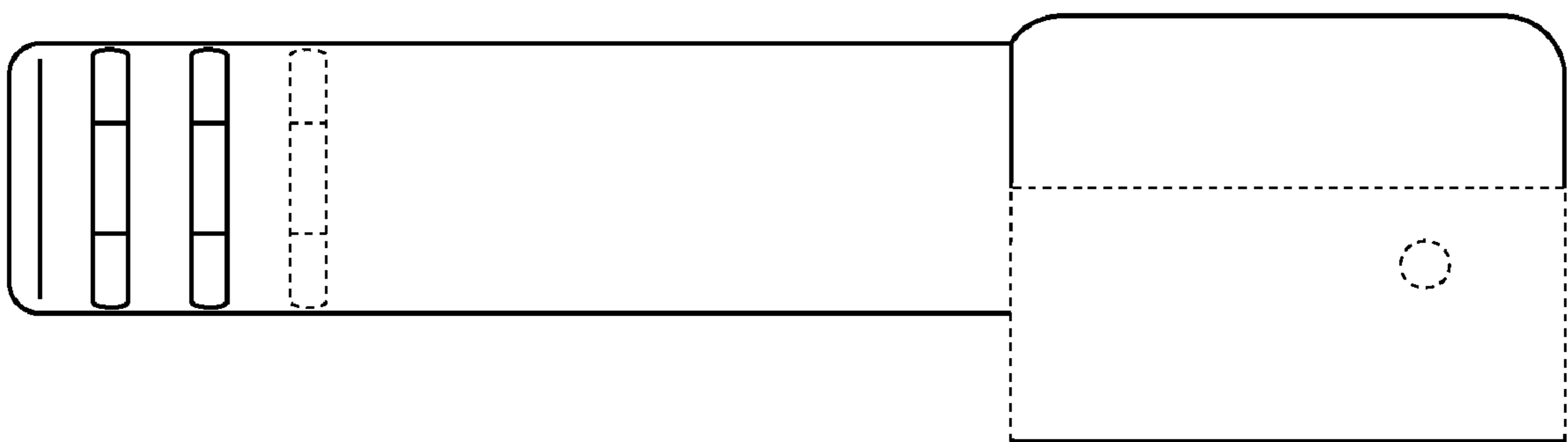


Fig. 8

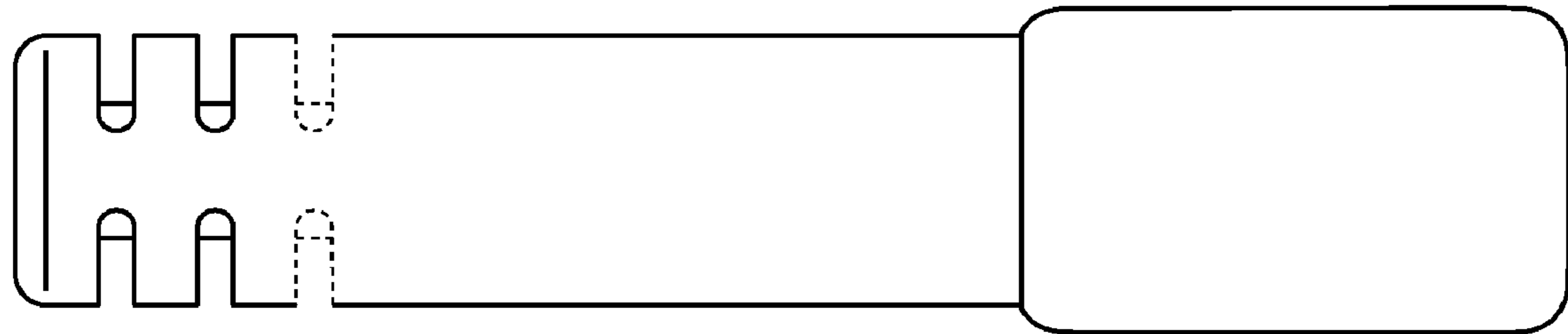


Fig. 9



Fig. 10