

US00D620449S

(12) **United States Design Patent**  
**Lee et al.**

(10) **Patent No.:** **US D620,449 S**  
(45) **Date of Patent:** **\*\* Jul. 27, 2010**

(54) **CABLE CONNECTOR**

(57) **CLAIM**

(75) Inventors: **Noel Lee**, Las Vegas, NV (US); **Jacky Hsuing**, San Jose, CA (US)

The ornamental design for a cable connector, as shown and described.

(73) Assignee: **Monster Cable Products, Inc.**,  
Brisbane, CA (US)

**DESCRIPTION**

(\*\*) Term: **14 Years**

(21) Appl. No.: **29/343,428**

(22) Filed: **Sep. 11, 2009**

(51) **LOC (9) Cl.** ..... **13-03**

(52) **U.S. Cl.** ..... **D13/154**

(58) **Field of Classification Search** ..... D13/133,  
D13/153, 156, 146-147, 154, 184; 439/180,  
439/344, 350, 447, 607-610, 660, 676-677,  
439/680-682

See application file for complete search history.

FIG. 1 is a perspective view of the first embodiment of a cable connector showing our new design;

FIG. 2 is a front view thereof;

FIG. 3 is a back view thereof;

FIG. 4 is a side view thereof;

FIG. 5 is an opposing side view thereof;

FIG. 6 is a bottom view thereof;

FIG. 7 is a top view thereof;

FIG. 8 is a perspective view of the second embodiment of a cable connector showing our new design;

FIG. 9 is a front view thereof;

FIG. 10 is a back view thereof;

FIG. 11 is a side view thereof;

FIG. 12 is an opposing side view thereof;

FIG. 13 is a bottom view thereof; and,

FIG. 14 is a top view thereof of the new design.

The broken line in the figure drawings is included for the purpose of illustrating environment and forms no part of the claimed design.

(56) **References Cited**

**U.S. PATENT DOCUMENTS**

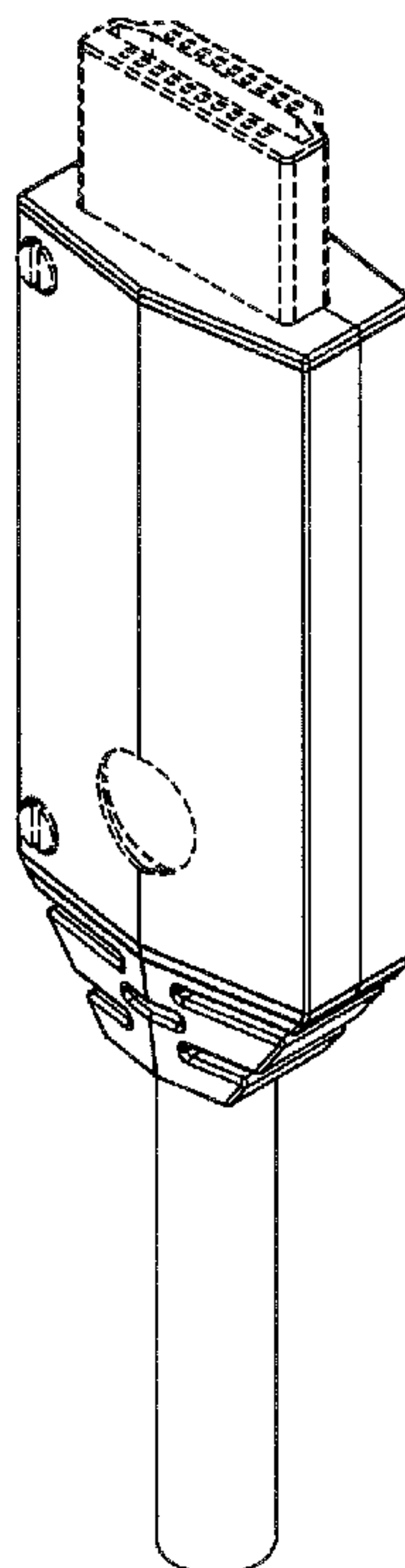
D563,872 S *	3/2008	Lee et al.	.....	D13/133
D563,899 S *	3/2008	Goetz et al.	.....	D13/154
D588,547 S *	3/2009	Lee et al.	.....	D13/154
D604,247 S *	11/2009	Zhao et al.	.....	D13/147
2010/0055980 A1 *	3/2010	Chen et al.	.....	439/607.01

\* cited by examiner

*Primary Examiner*—Daniel D Bui

(74) *Attorney, Agent, or Firm*—LaRiviere, Grubman & Payne, LLP

**1 Claim, 4 Drawing Sheets**



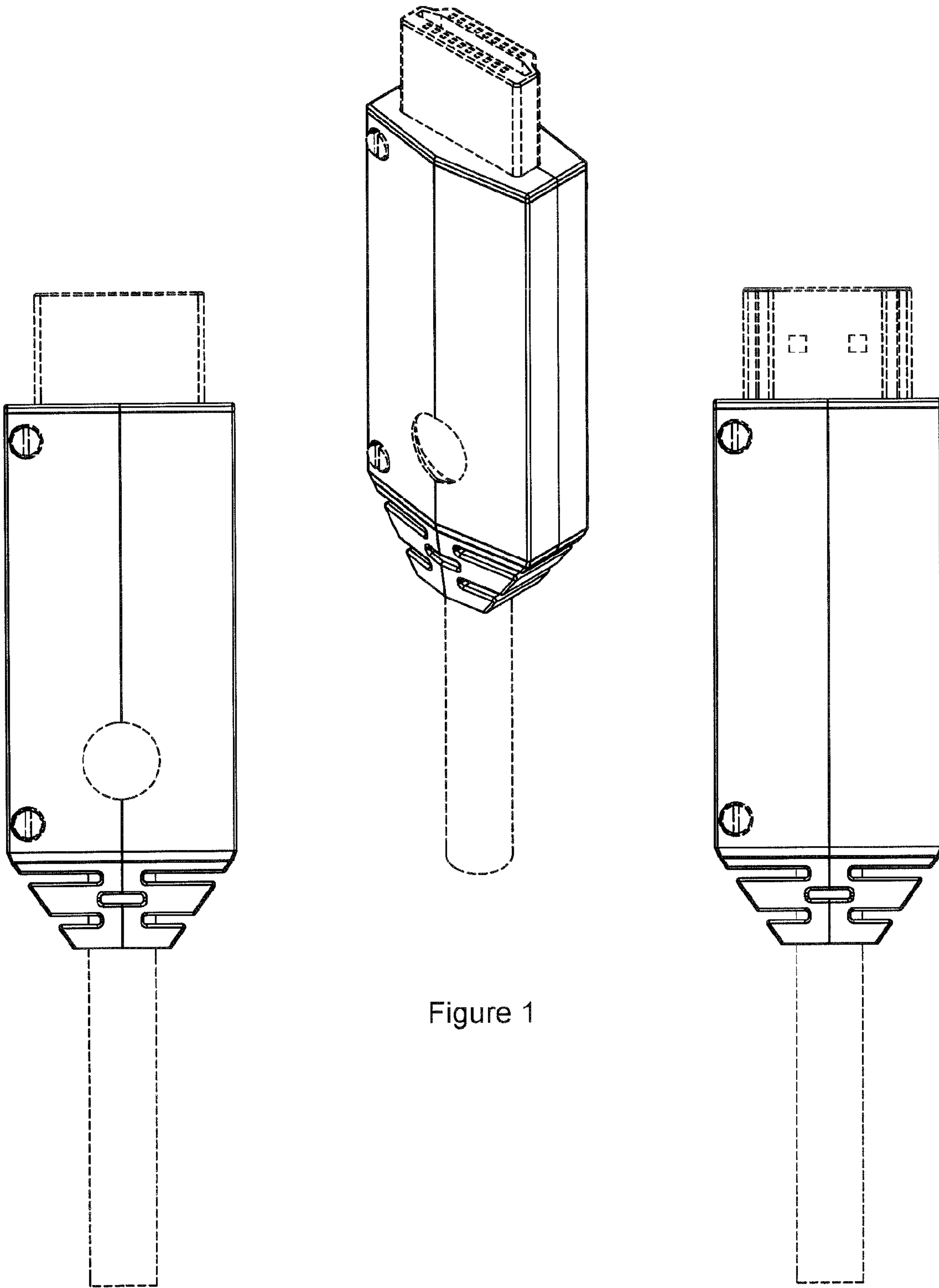


Figure 1

Figure 2

Figure 3

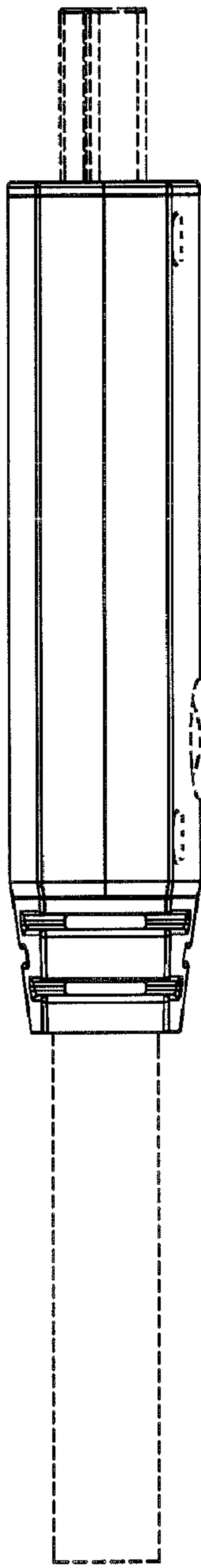


Figure 4

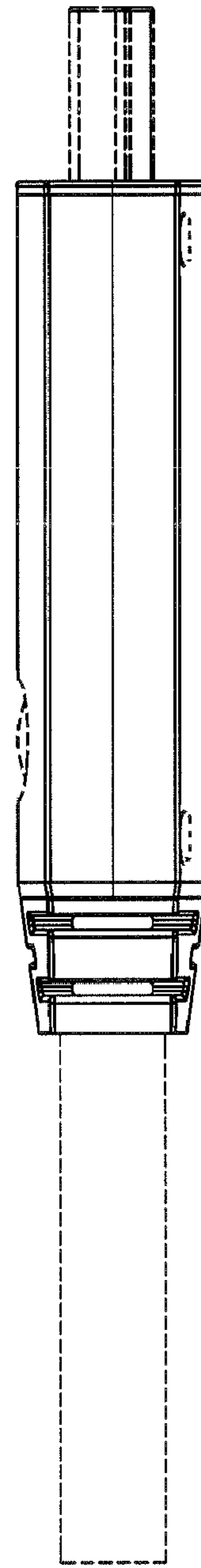


Figure 5

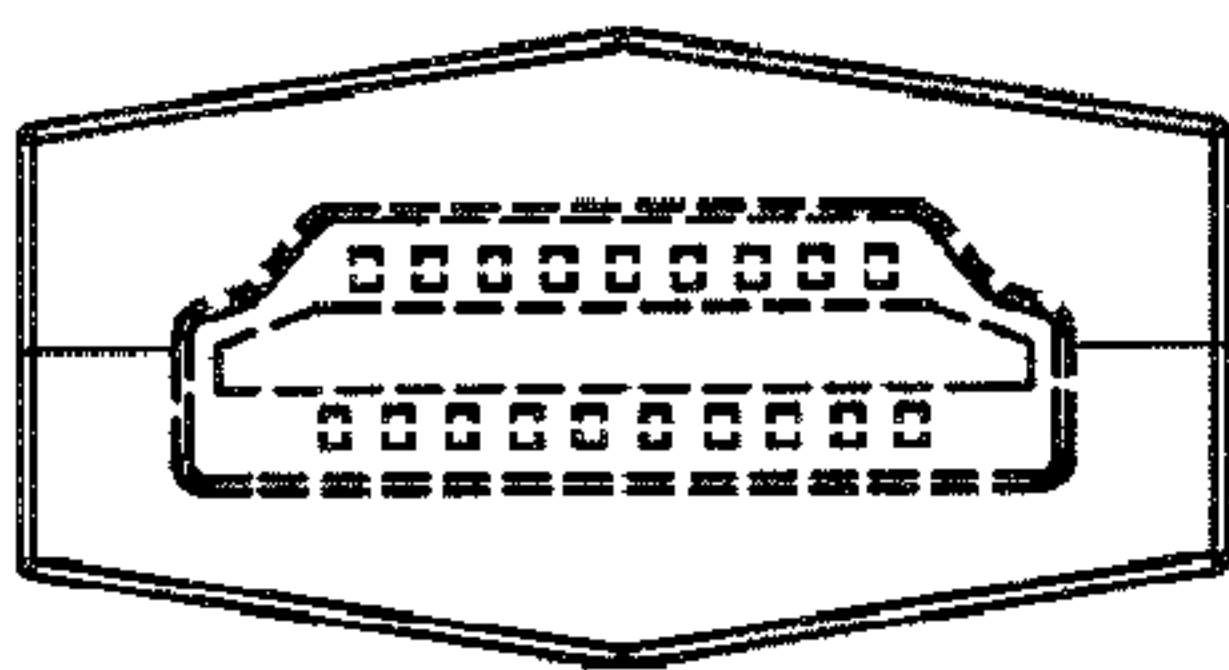


Figure 6

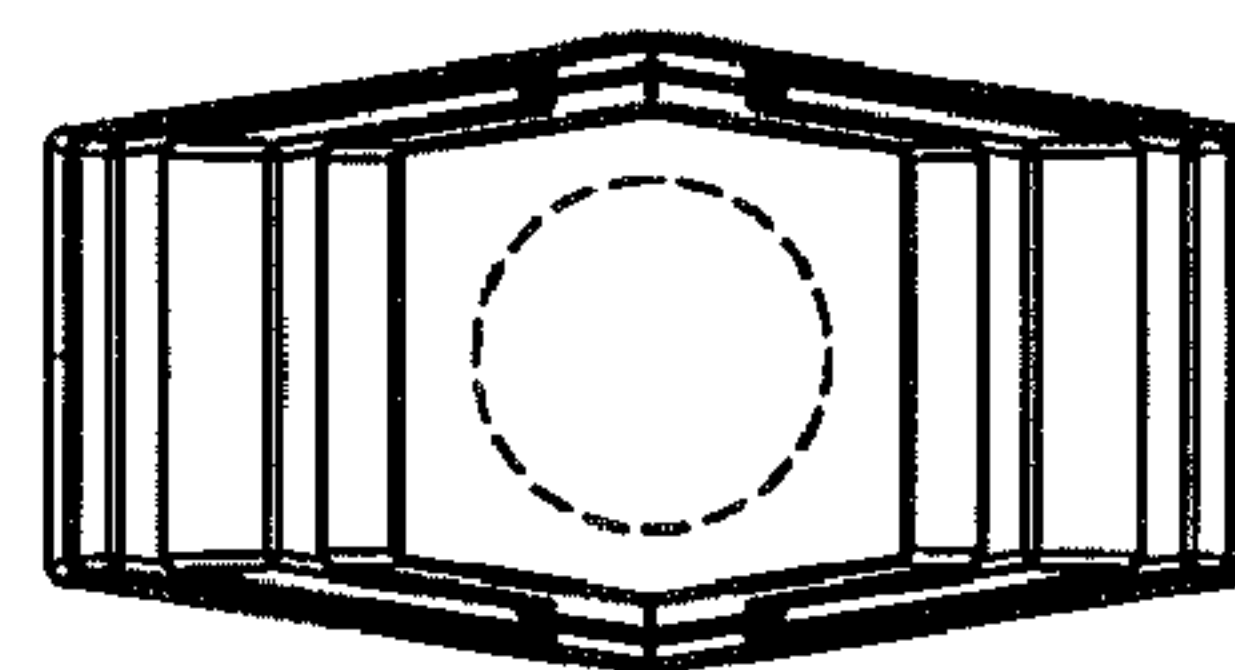


Figure 7

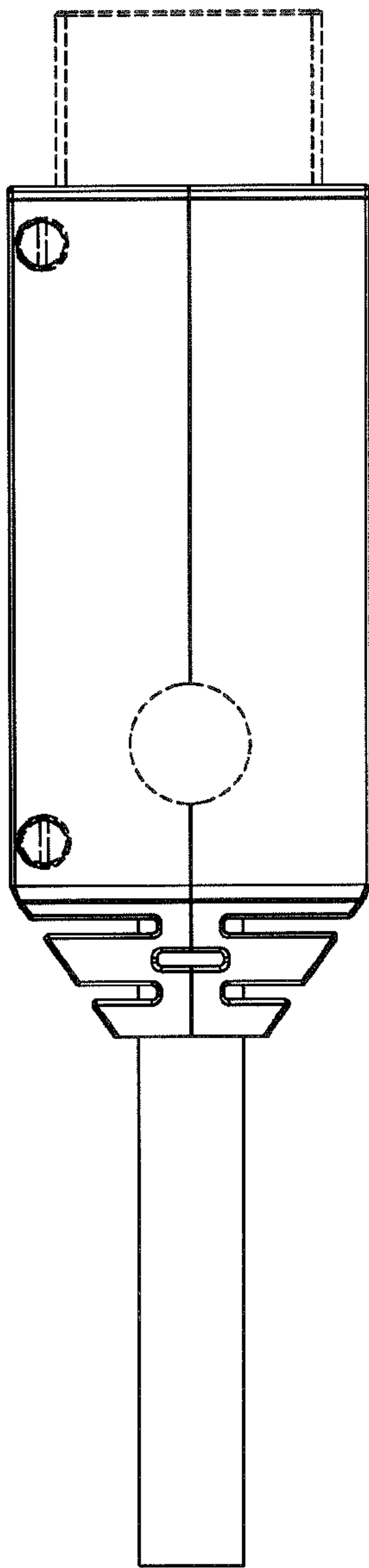


Figure 9

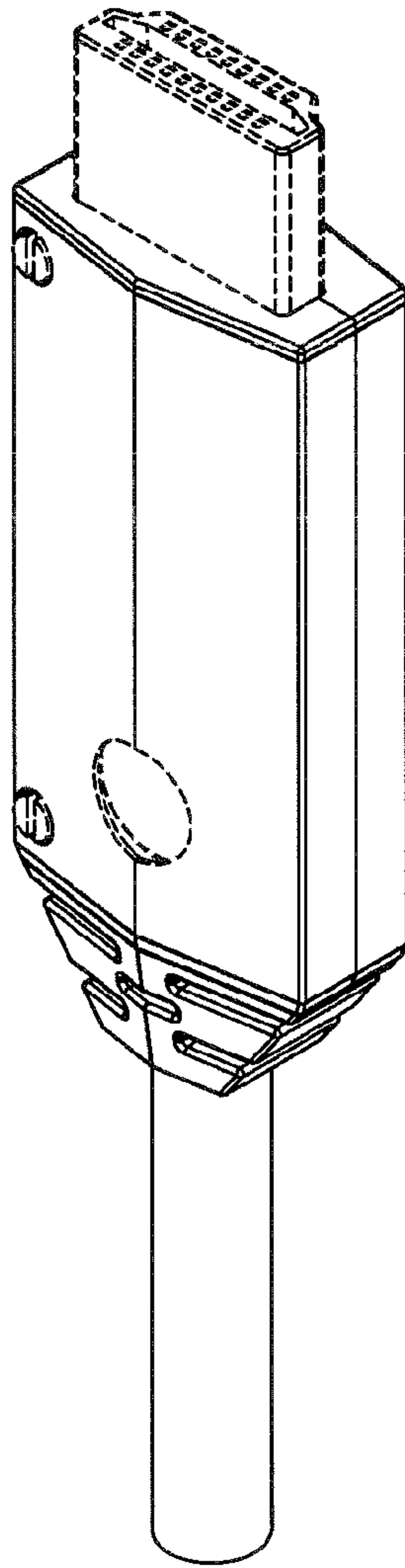


Figure 8

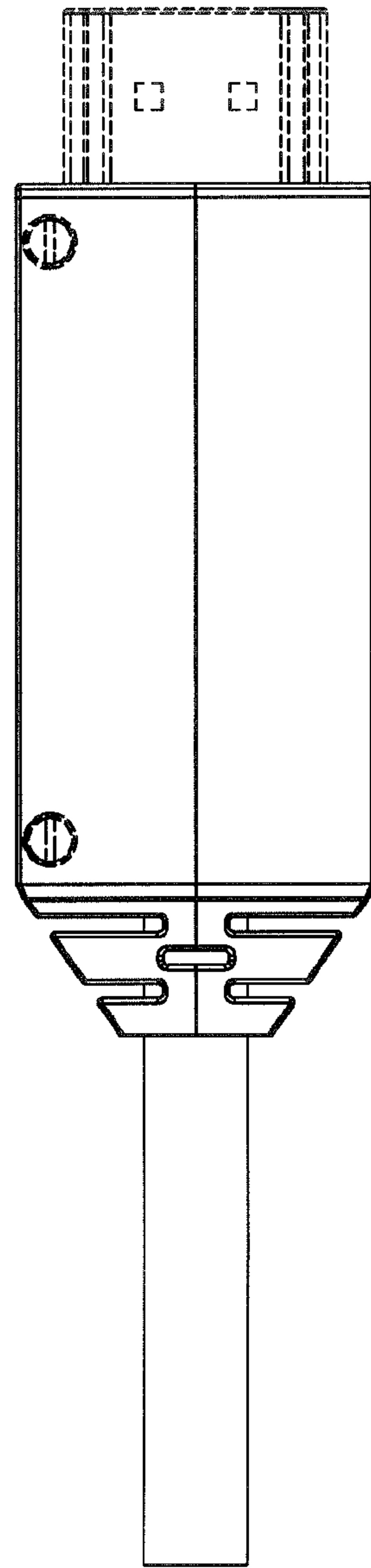


Figure 10

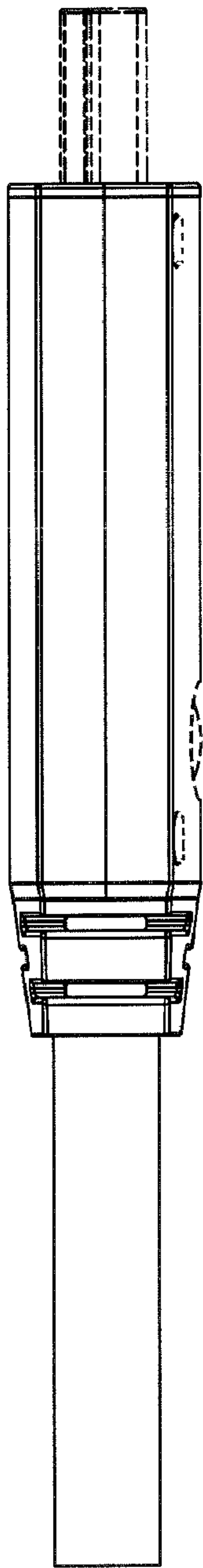


Figure 11

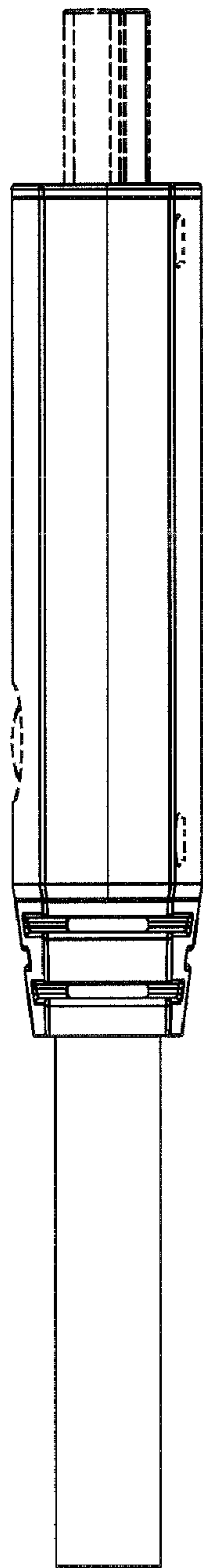


Figure 12

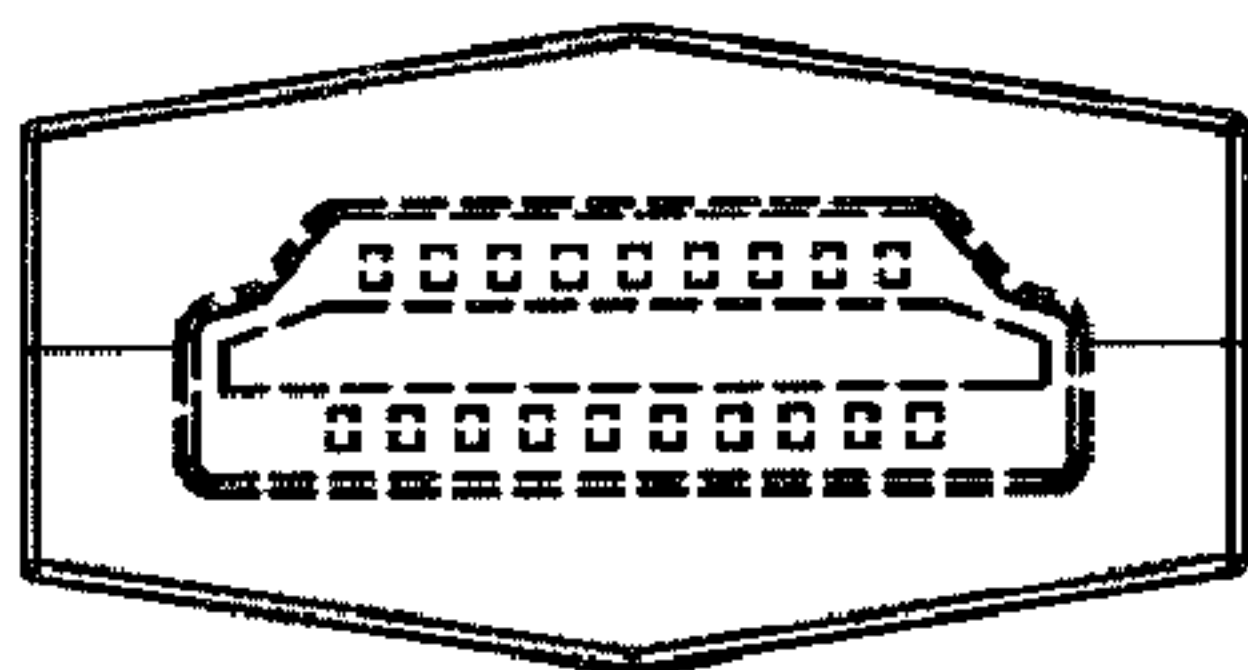


Figure 13

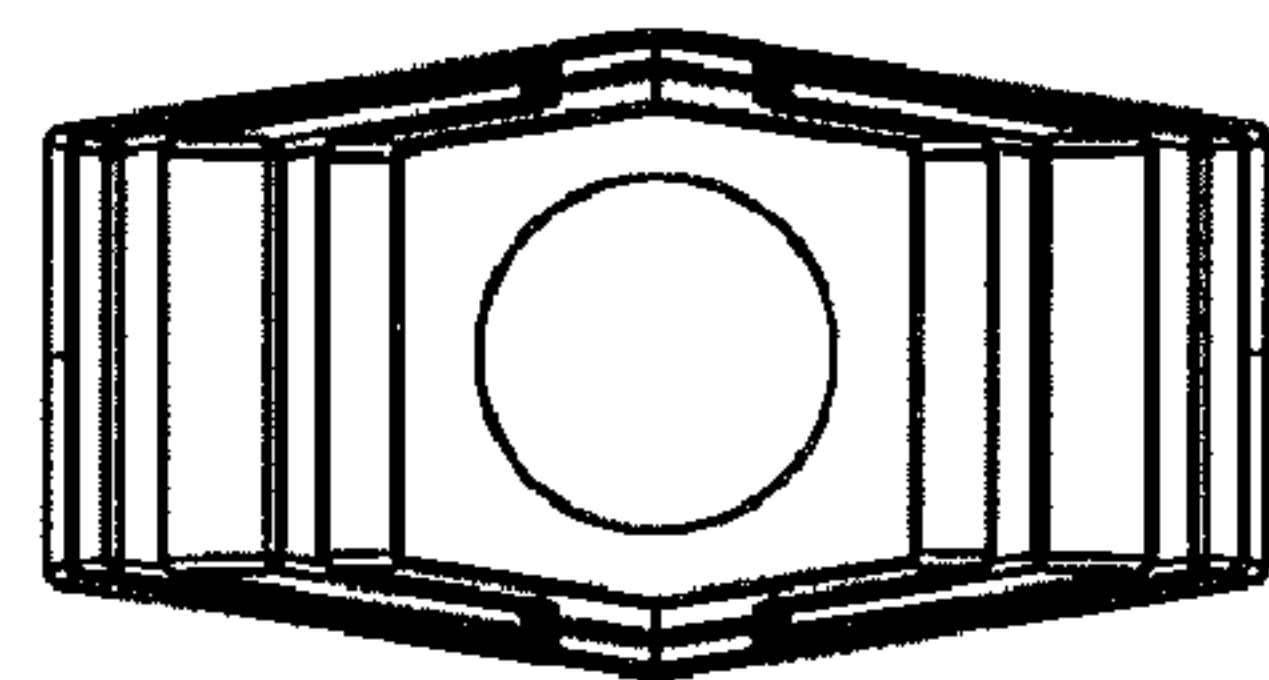


Figure 14