



US00D620448S

(12) **United States Design Patent**
Lee et al.

(10) **Patent No.:** **US D620,448 S**
(45) **Date of Patent:** **** Jul. 27, 2010**

(54) **CABLE CONNECTOR**

D563,872 S * 3/2008 Lee et al. D13/133

(75) Inventors: **Noel Lee**, Las Vegas, NV (US); **Dan Hua**, San Jose, CA (US)

* cited by examiner

Primary Examiner—Daniel D Bui

(73) Assignee: **Monster Cable Products, Inc.**,
Brisbane, CA (US)

(74) *Attorney, Agent, or Firm*—LaRiviere, Grubman & Payne, LLP

(**) Term: **14 Years**

(57) **CLAIM**

(21) Appl. No.: **29/337,670**

The ornamental design for a cable connector, as shown and described.

(22) Filed: **May 27, 2009**

DESCRIPTION

(51) **LOC (9) Cl.** **13-03**

FIG. 1 is a perspective view of a cable connector, in accordance with the present invention.

(52) **U.S. Cl.** **D13/154**

FIG. 2 is a front view thereof;

(58) **Field of Classification Search** D13/133,
D13/153, 156, 146–147, 154, 184; 439/180,
439/344, 350, 447, 607–610, 660, 676–677,
439/680–682

FIG. 3 is a rear view thereof;

FIG. 4 is a side view thereof;

FIG. 5 is another side view thereof;

See application file for complete search history.

FIG. 6 is a top view thereof; and,

FIG. 7 is a bottom view thereof.

(56) **References Cited**

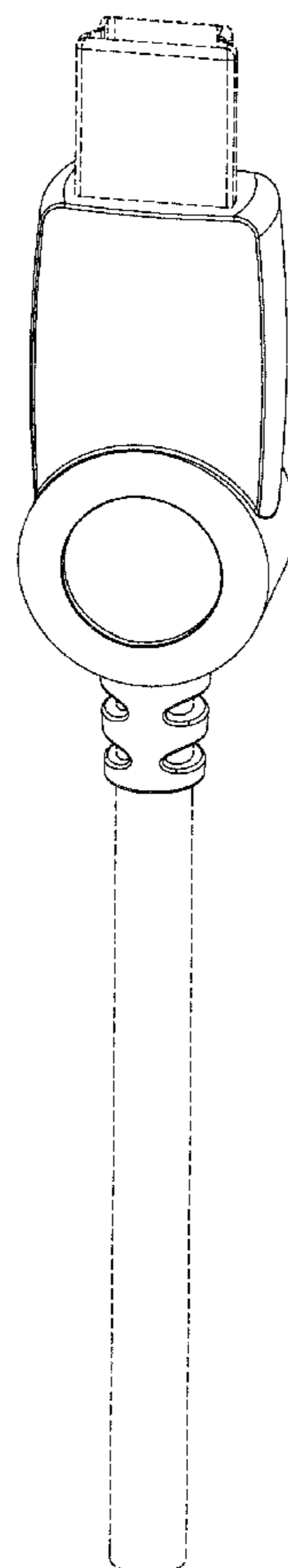
The broken line in the figure drawings is included for the purpose of illustrating environment and forms no part of the claimed design.

U.S. PATENT DOCUMENTS

D436,924 S * 1/2001 Lee D13/147

D553,567 S * 10/2007 Kawanobe D13/133

1 Claim, 4 Drawing Sheets



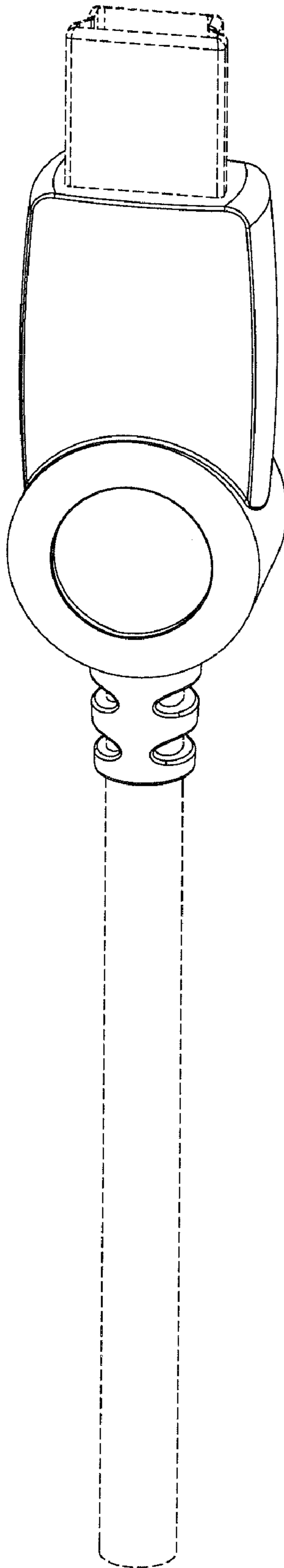


Figure 1

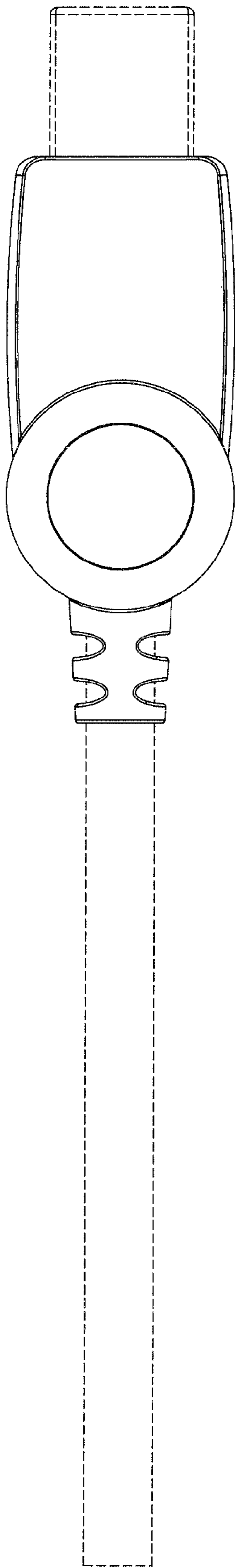


Figure 2

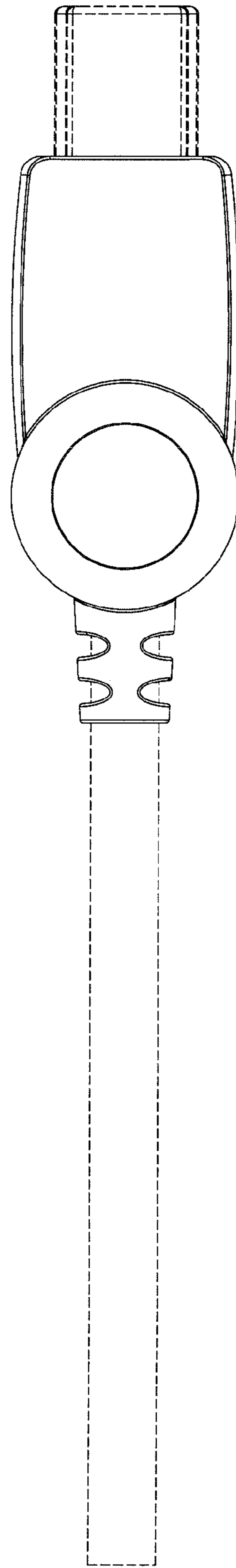


Figure 3

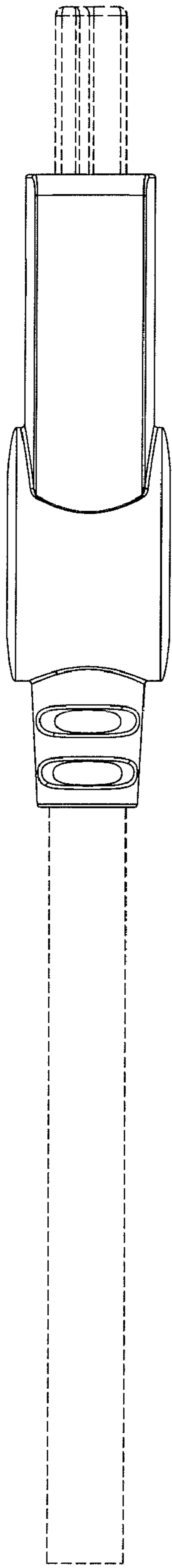


Figure 4

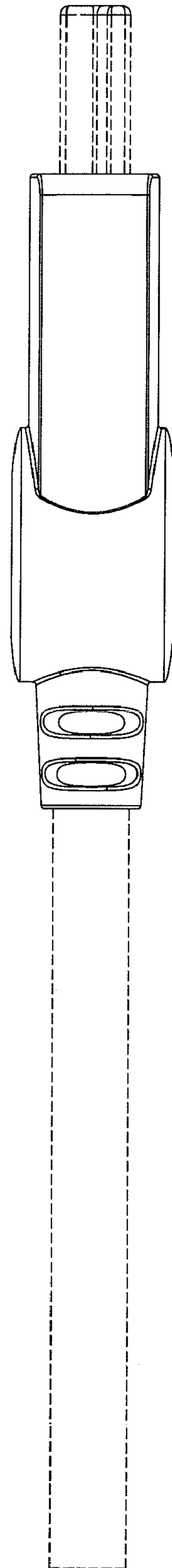


Figure 5

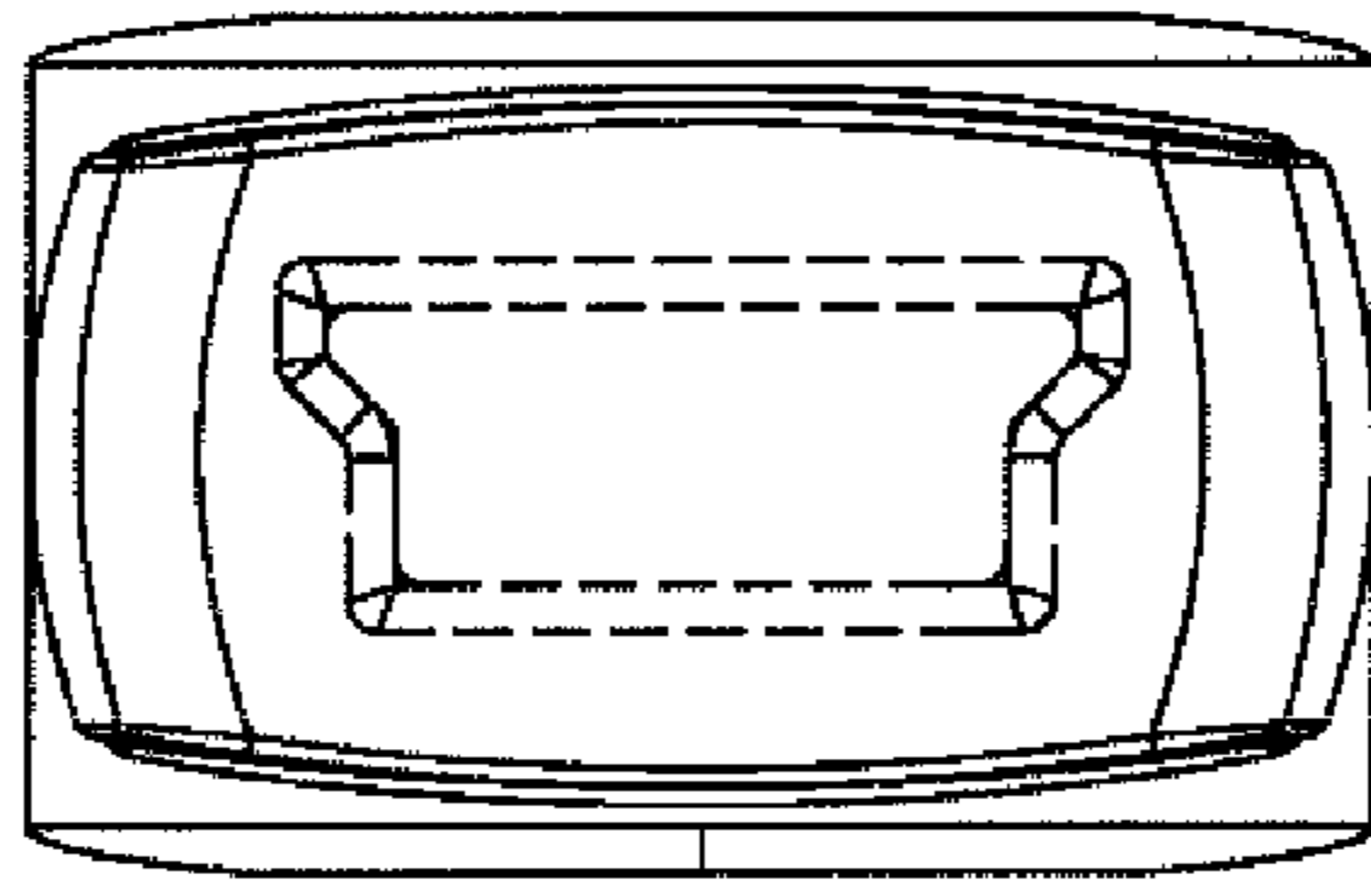


Figure 6

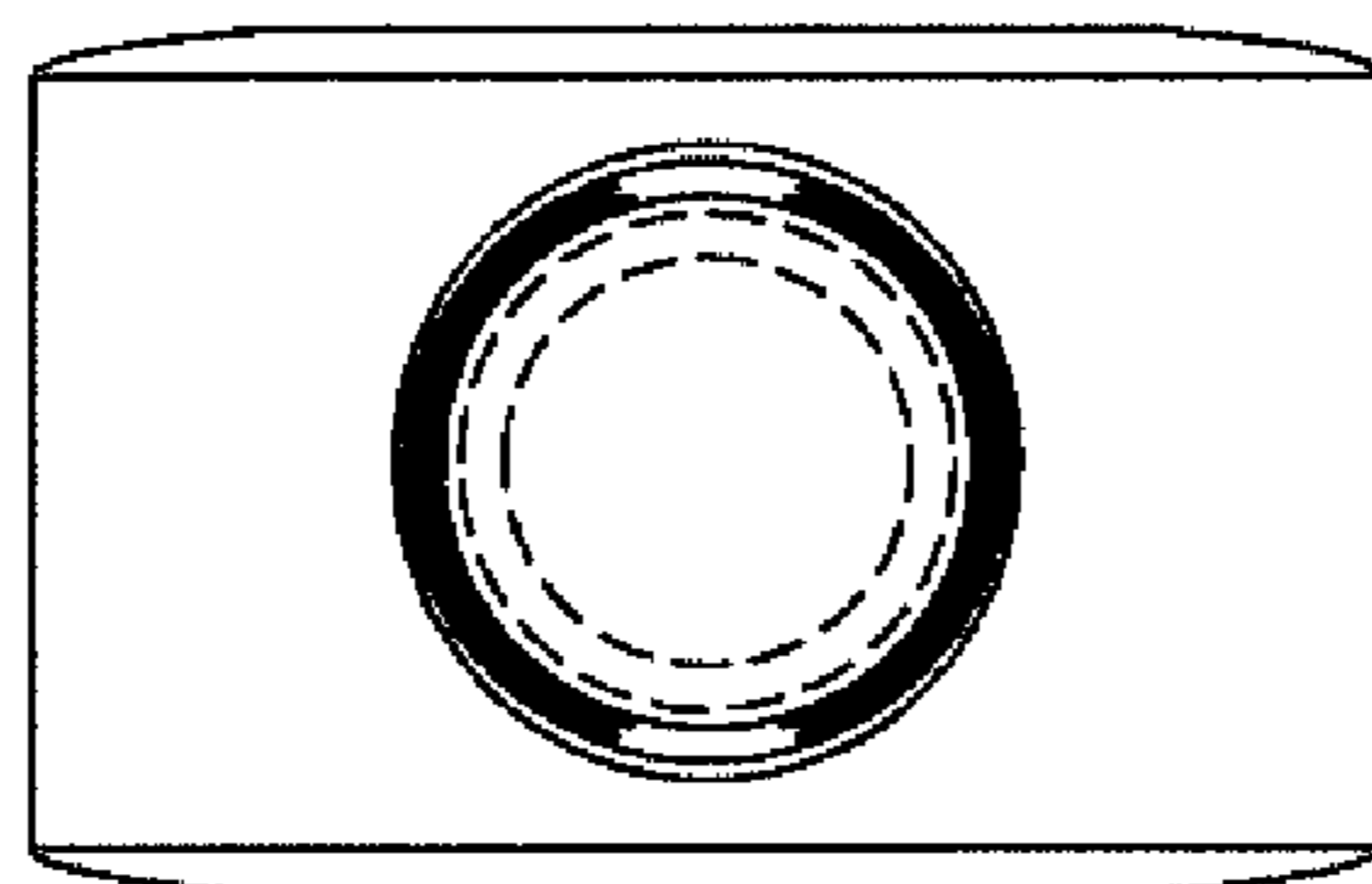


Figure 7