



US00D620447S

(12) **United States Design Patent**  
**Lee et al.**

(10) **Patent No.:** **US D620,447 S**  
(45) **Date of Patent:** **\*\* Jul. 27, 2010**

(54) **CABLE CONNECTOR**

(75) Inventors: **Noel Lee**, Las Vegas, NV (US); **Dan Hua**, San Jose, CA (US)

(73) Assignee: **Monster Cable Products, Inc.**, Brisbane, CA (US)

(\*\*) Term: **14 Years**

(21) Appl. No.: **29/337,668**

(22) Filed: **May 27, 2009**

(51) **LOC (9) Cl.** ..... **13-03**

(52) **U.S. Cl.** ..... **D13/154**

(58) **Field of Classification Search** ..... D13/133,  
D13/153, 156, 146-147, 121, 184; 439/180,  
439/344, 350, 447, 607-610, 660, 676-677,  
439/680-682

See application file for complete search history.

(56) **References Cited**

**U.S. PATENT DOCUMENTS**

|            |   |         |             |       |         |
|------------|---|---------|-------------|-------|---------|
| D436,924 S | * | 1/2001  | Lee         | ..... | D13/147 |
| D511,501 S | * | 11/2005 | Lee et al.  | ..... | D13/156 |
| D543,157 S | * | 5/2007  | Suckle      | ..... | D13/154 |
| D605,131 S | * | 12/2009 | Zhao et al. | ..... | D13/147 |

D610,547 S \* 2/2010 Zhao et al. .... D13/147

\* cited by examiner

*Primary Examiner*—Daniel D Bui

(74) *Attorney, Agent, or Firm*—LaRiviere, Grubman & Payne, LLP

(57) **CLAIM**

The ornamental design for a cable connector, as shown and described.

**DESCRIPTION**

FIG. 1 is a perspective view of a cable connector, in accordance with the present invention.

FIG. 2 is a front view thereof;

FIG. 3 is a rear view thereof;

FIG. 4 is a side view thereof;

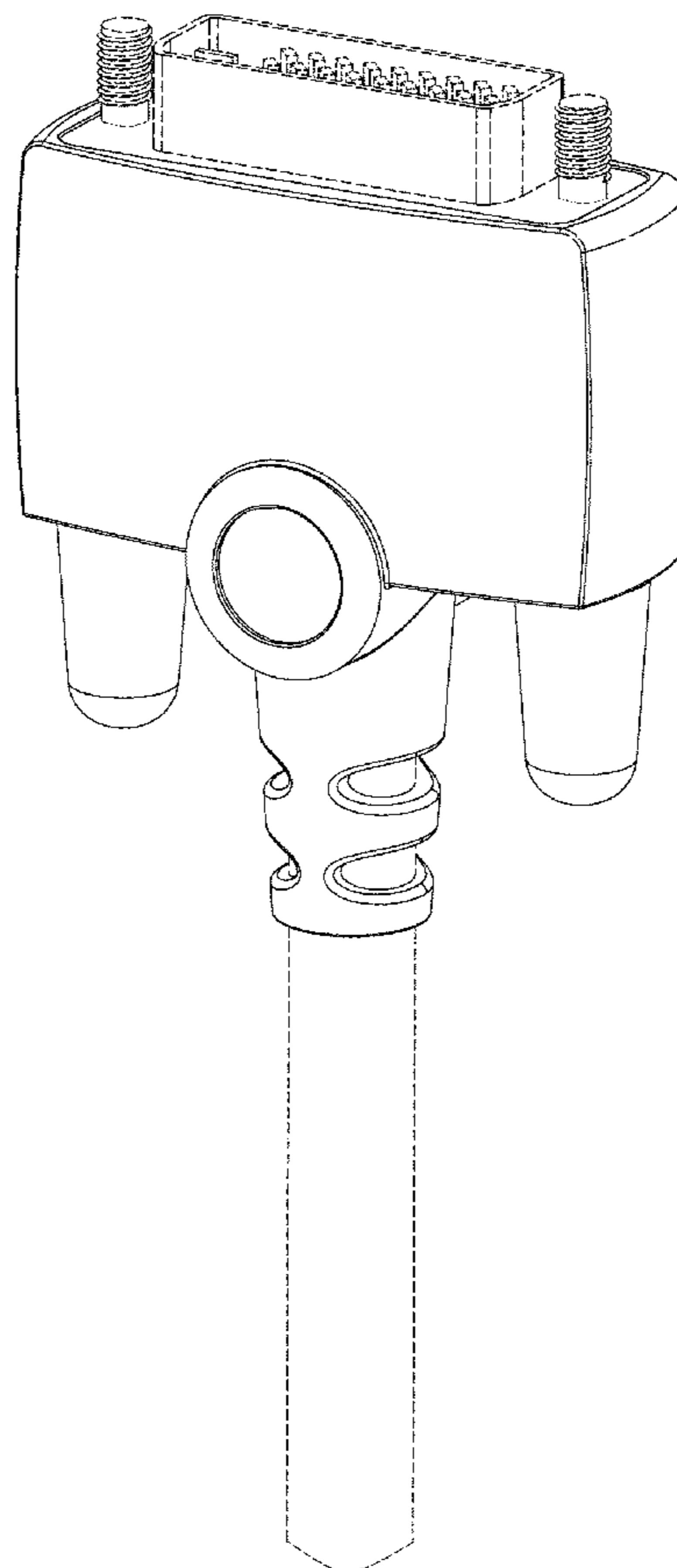
FIG. 5 is an side view thereof;

FIG. 6 is a top view thereof; and,

FIG. 7 is a bottom view thereof.

The broken line in the figure drawings is included for the purpose of illustrating environment and forms no part of the claimed design.

**1 Claim, 5 Drawing Sheets**



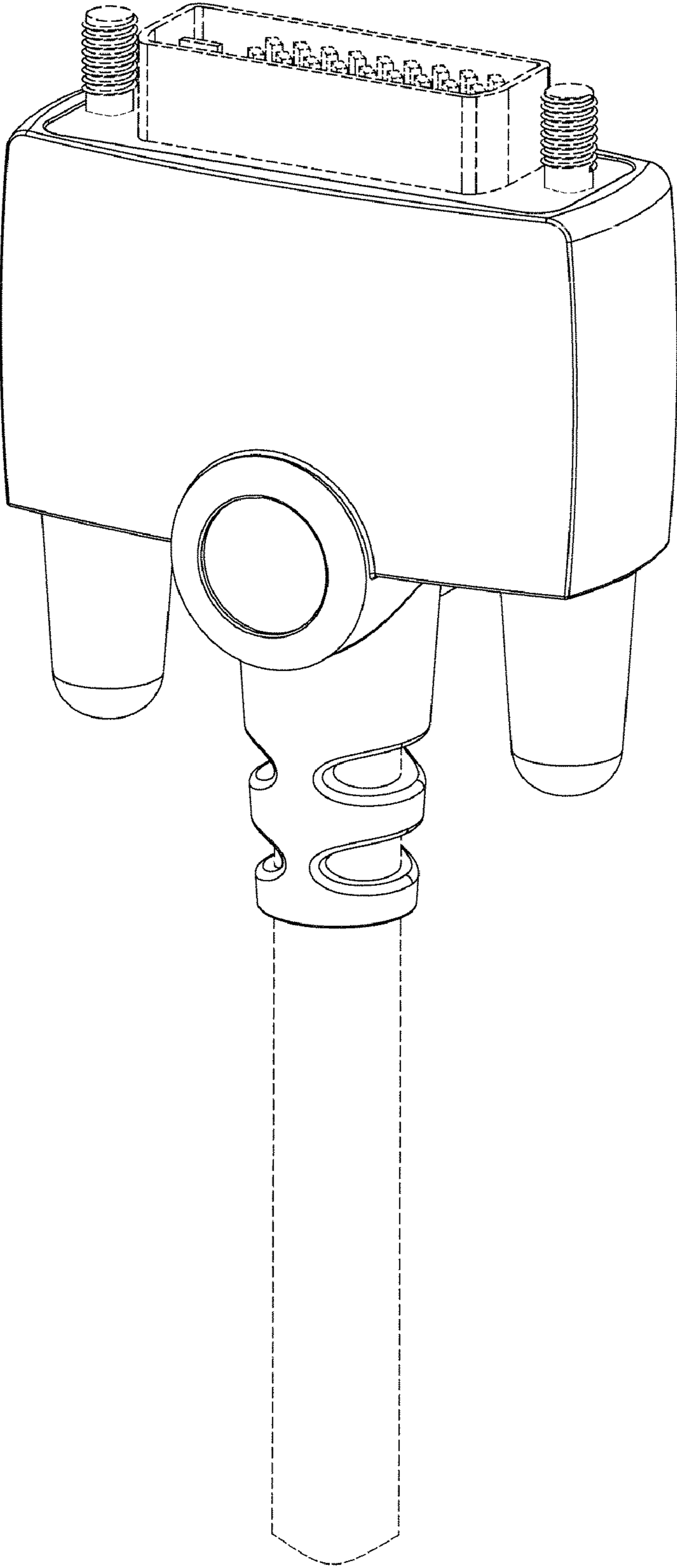


Figure 1

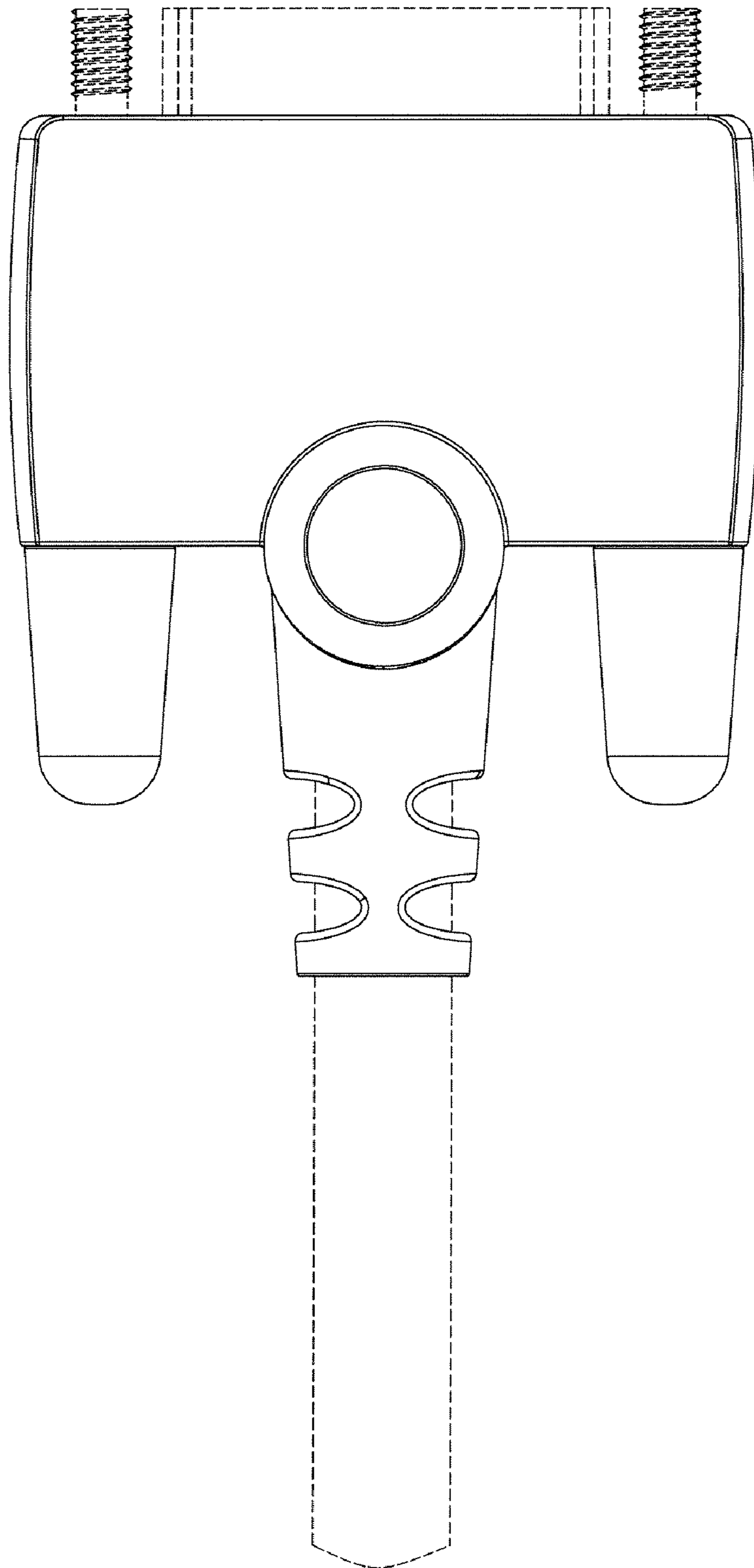


Figure 2

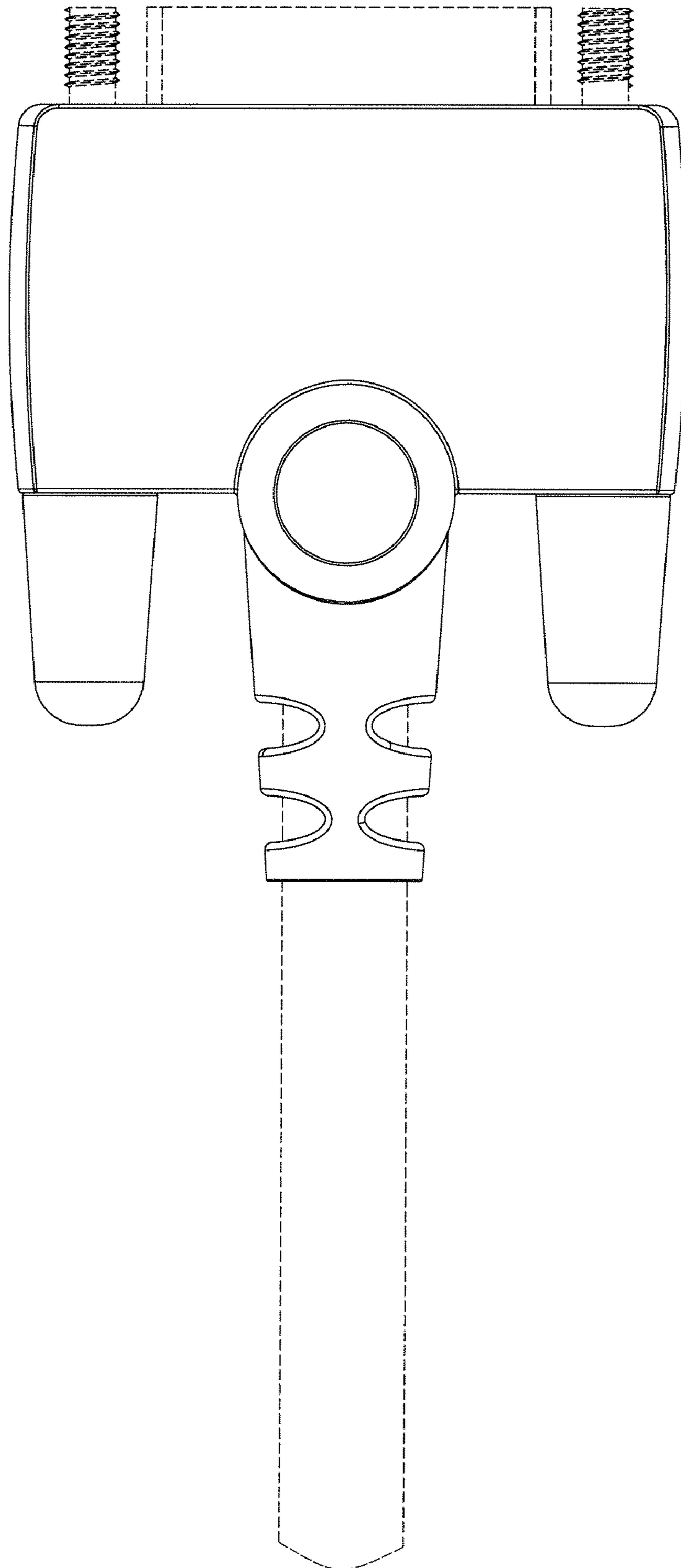


Figure 3

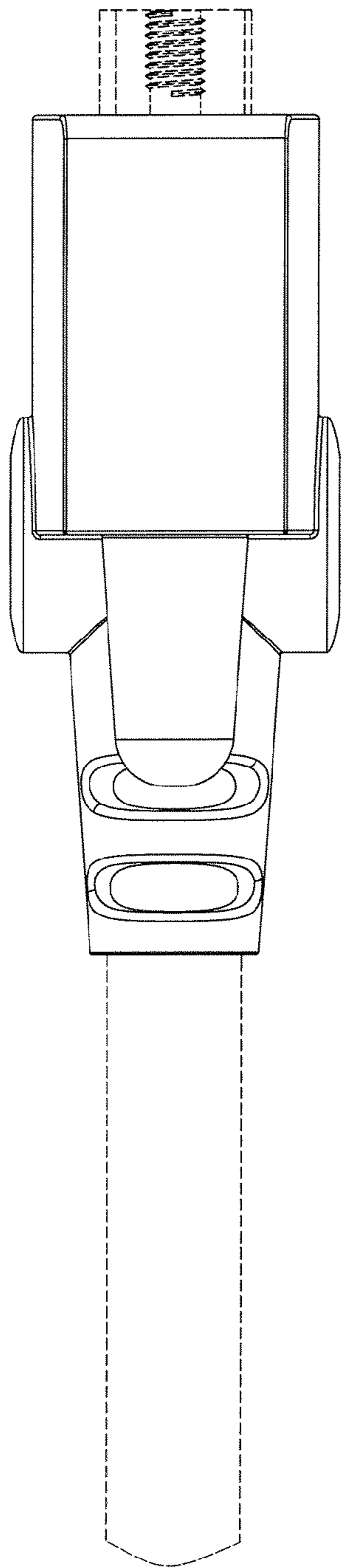


Figure 4

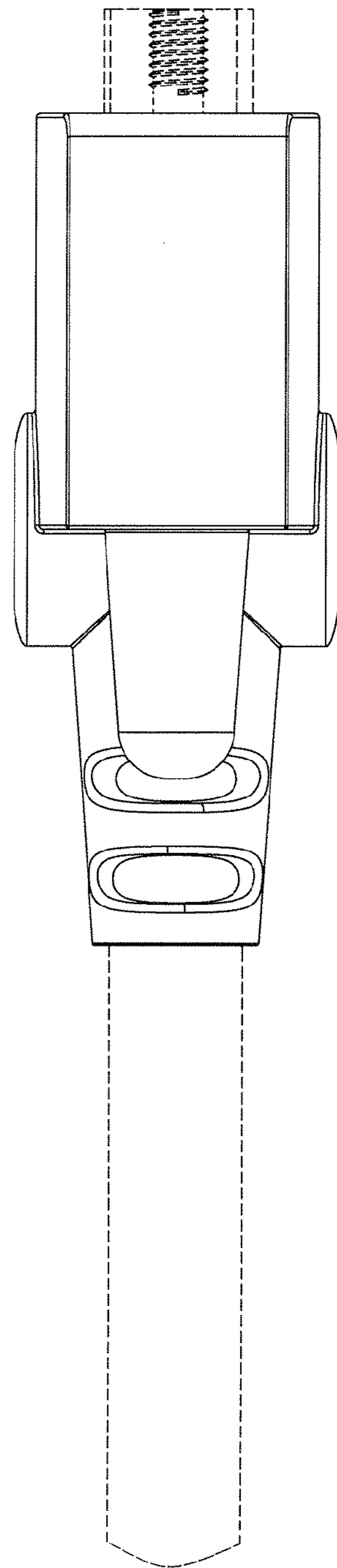


Figure 5

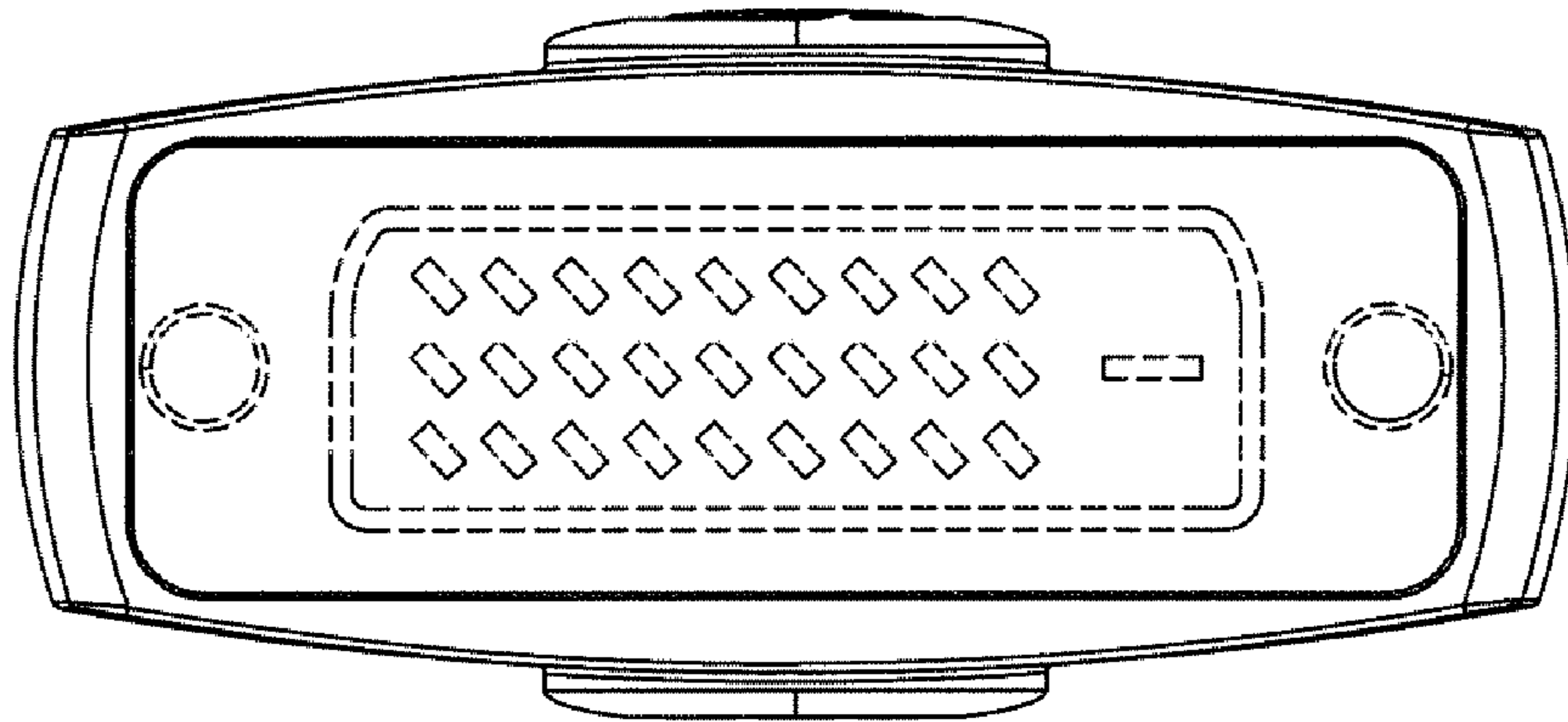


Figure 6

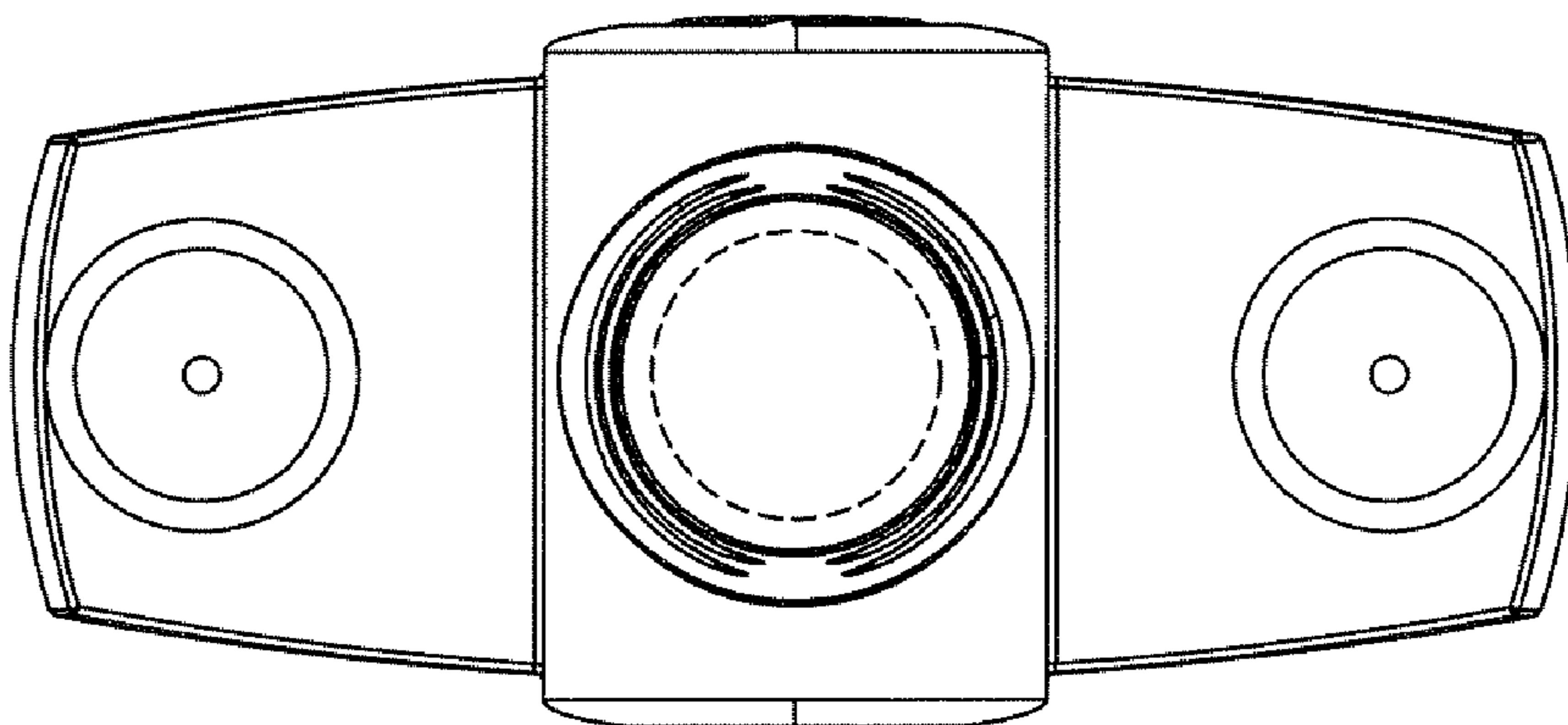


Figure 7