

US00D620446S

(12) **United States Design Patent**
Huang et al.

(10) **Patent No.:** **US D620,446 S**
(45) **Date of Patent:** **** Jul. 27, 2010**

(54) **RECEPTACLE CONNECTOR**

(75) Inventors: **Sheng-Yuan Huang**, Tu-Cheng (TW);
Yung-Chi Peng, Tu-Cheng (TW);
Sheng-Nan Yu, Tu-Cheng (TW)

(73) Assignee: **Cheng Uei Precision Industry Co., Ltd.**, Tu-Cheng, Taipei Hsien (TW)

(**) Term: **14 Years**

(21) Appl. No.: **29/354,080**

(22) Filed: **Jan. 19, 2010**

(51) **LOC (9) Cl.** **13-03**

(52) **U.S. Cl.** **D13/147**

(58) **Field of Classification Search** D13/147,
D13/154, 184; 439/79, 108, 378, 476.1,
439/497, 567, 607-610, 668, 680

See application file for complete search history.

(56) **References Cited**

U.S. PATENT DOCUMENTS

D406,817 S * 3/1999 Wu D13/147
D414,464 S * 9/1999 Wu D13/146
D446,774 S * 8/2001 Zhu et al. D13/147

D499,381 S * 12/2004 Hu et al. D13/147
D515,509 S * 2/2006 Moriwake et al. D13/147

* cited by examiner

Primary Examiner—Daniel D Bui

(74) *Attorney, Agent, or Firm*—Cheng-Ju Chiang

(57) **CLAIM**

The ornamental design for a receptacle connector, as shown and described.

DESCRIPTION

FIG. 1 is a front, top and right side perspective view of a receptacle connector showing our new design;

FIG. 2 is a front elevational view thereof;

FIG. 3 is a rear elevational view thereof;

FIG. 4 is a left side elevational view thereof;

FIG. 5 is a right side elevational view thereof;

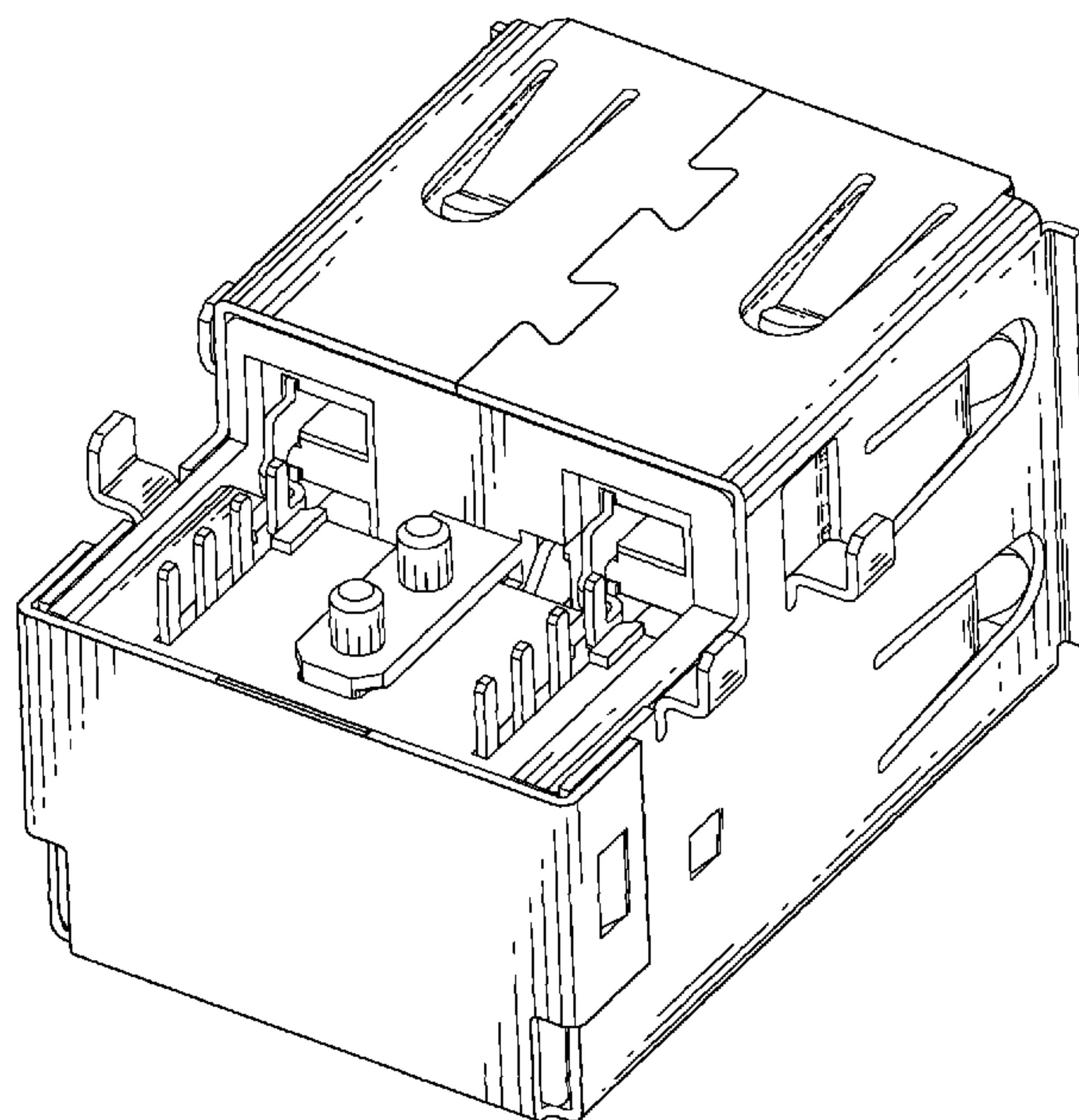
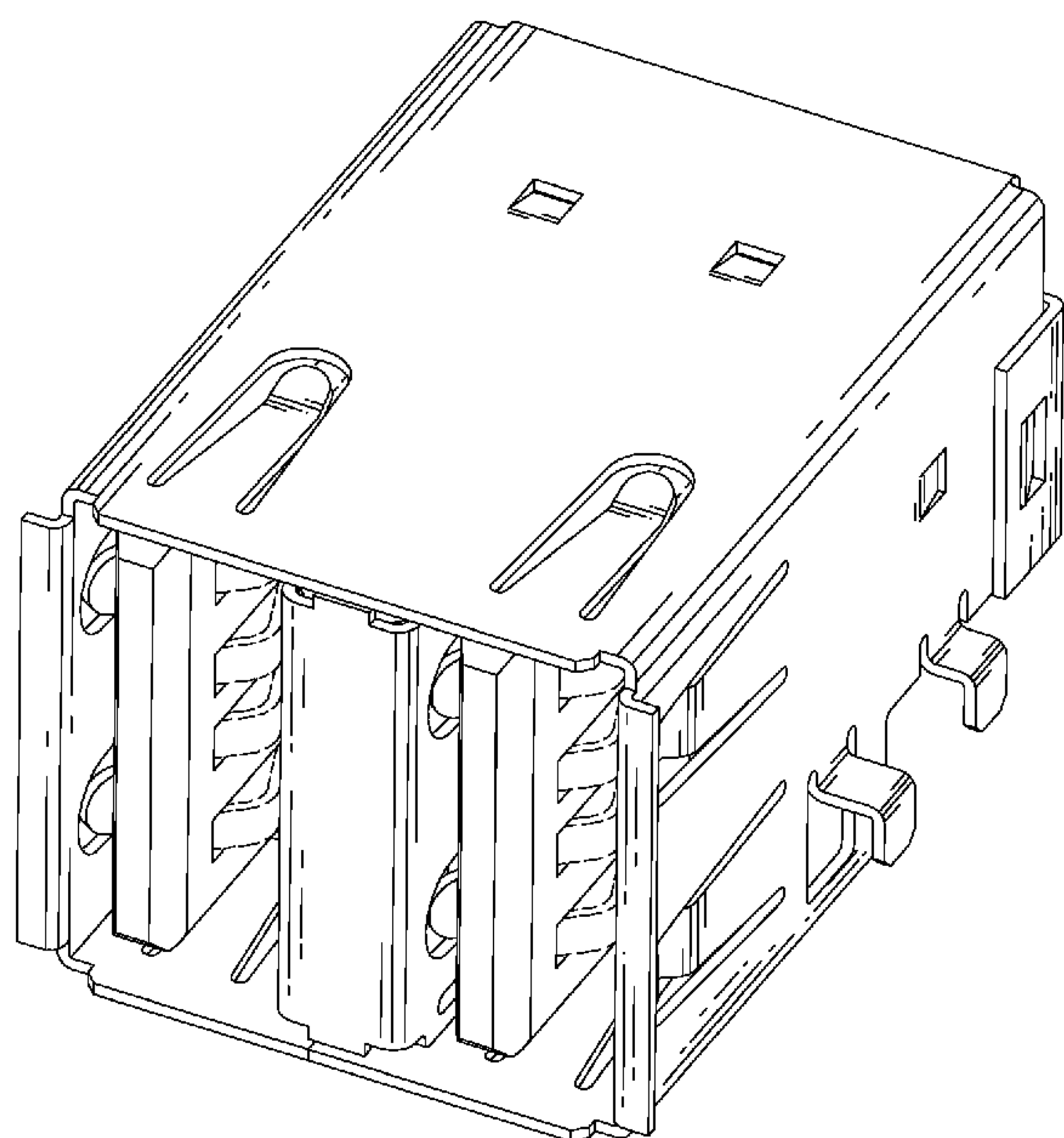
FIG. 6 is a top plan view thereof;

FIG. 7 is a bottom plan view thereof; and,

FIG. 8 is a rear, bottom and right side perspective view of a receptacle connector showing our new design.

The broken line portion of the figure drawings is included to show unclaimed subject matter only and forms no part of the claimed design.

1 Claim, 8 Drawing Sheets



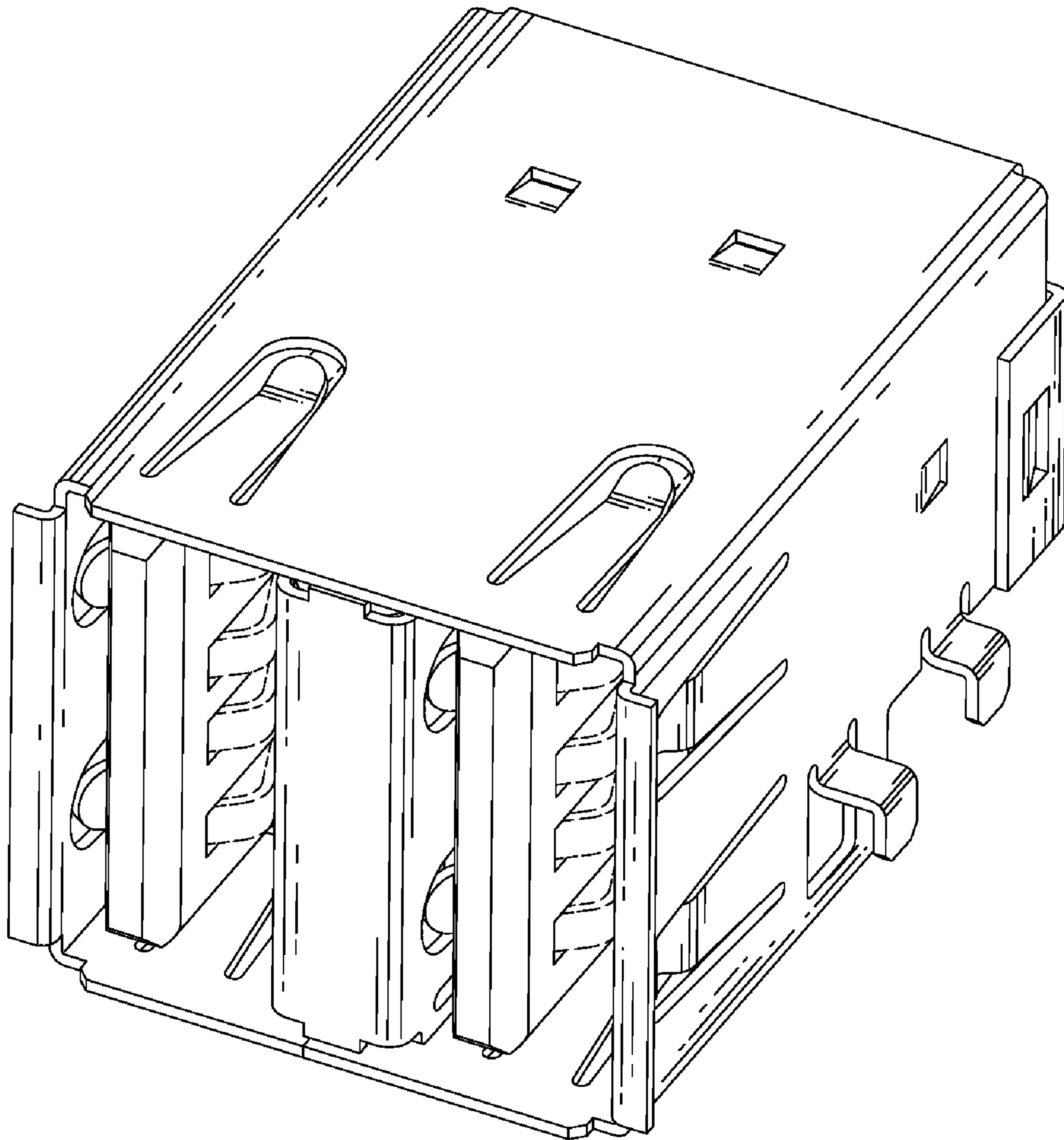


FIG. 1

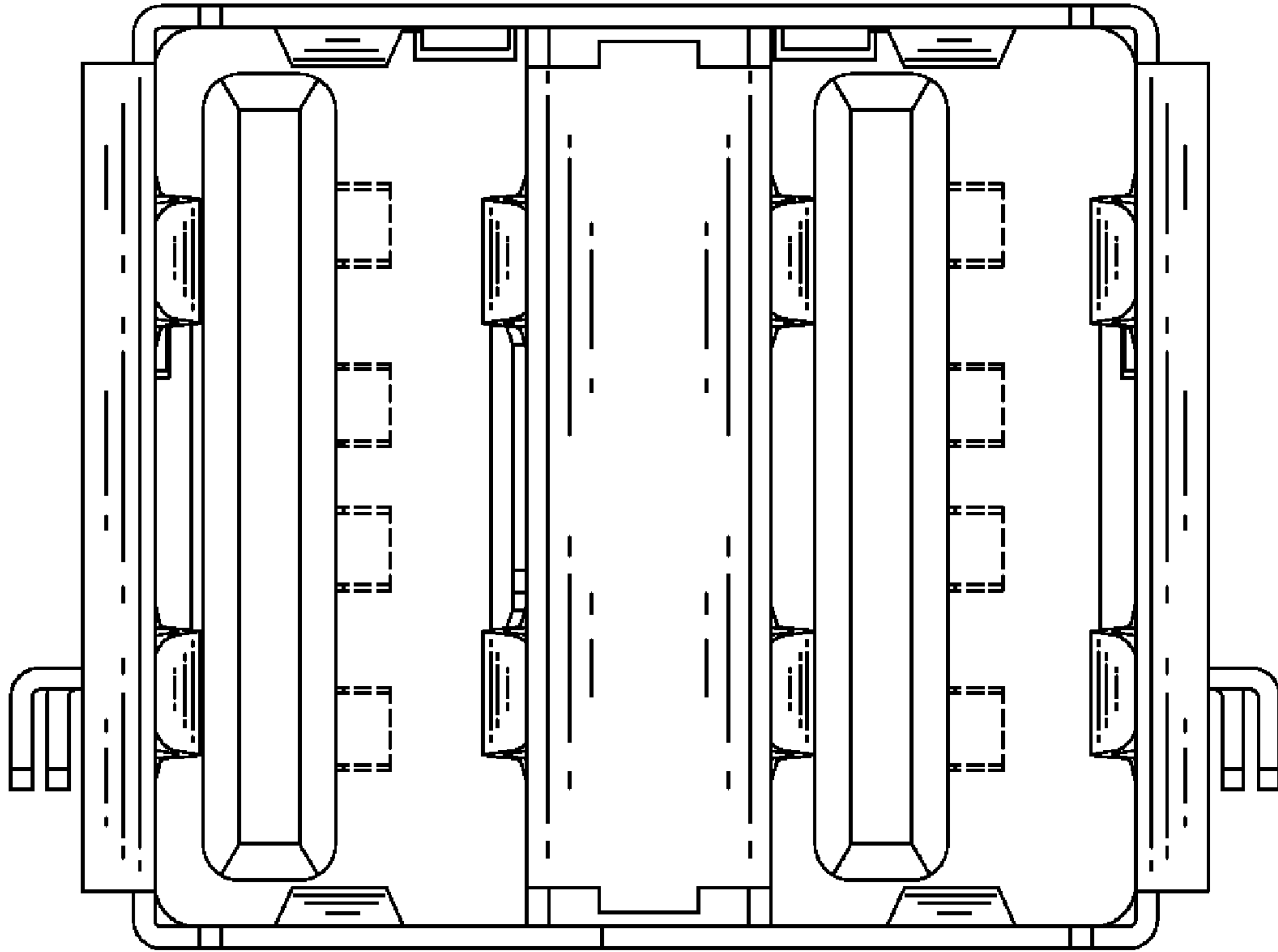


FIG. 2

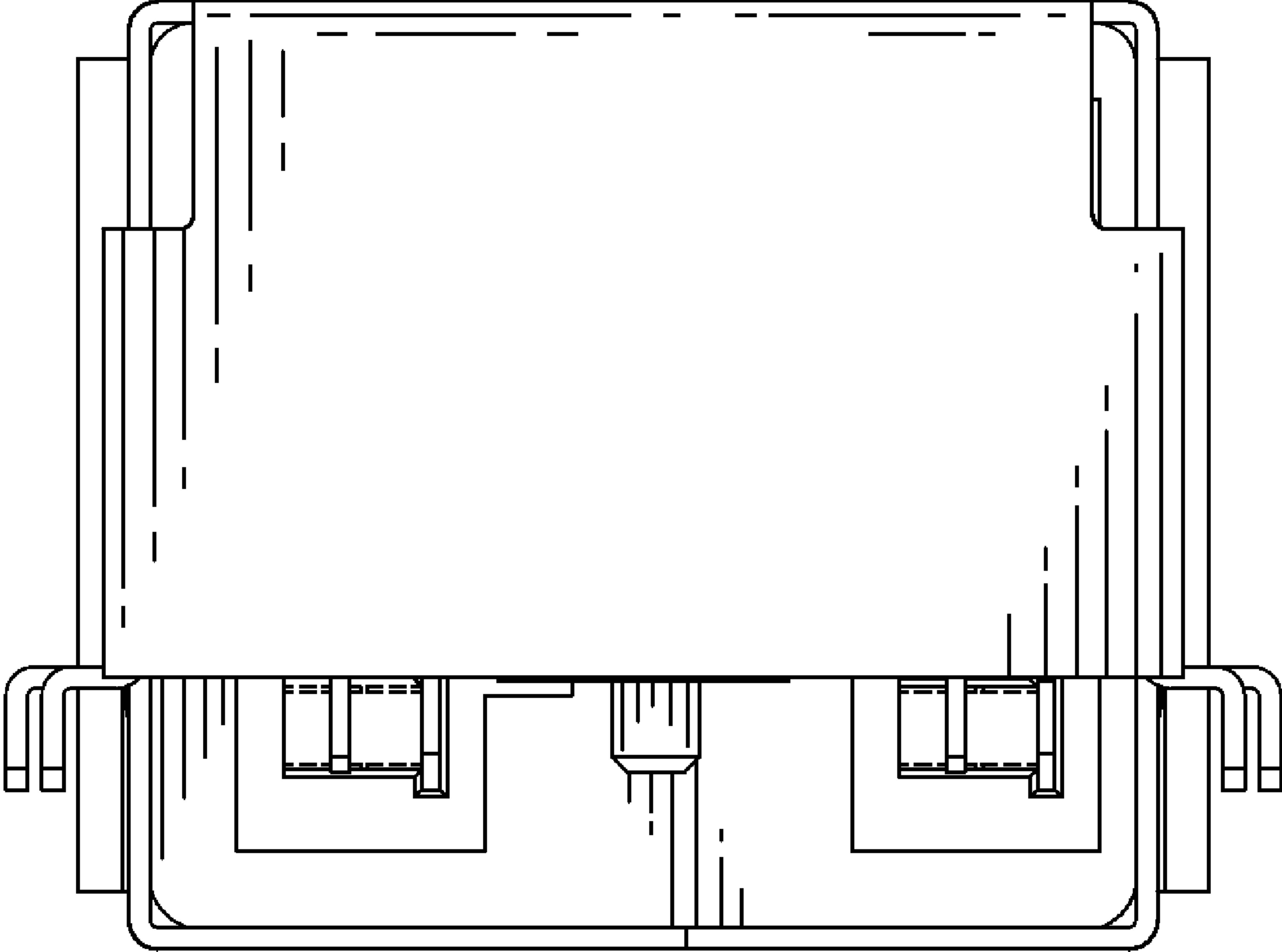


FIG. 3

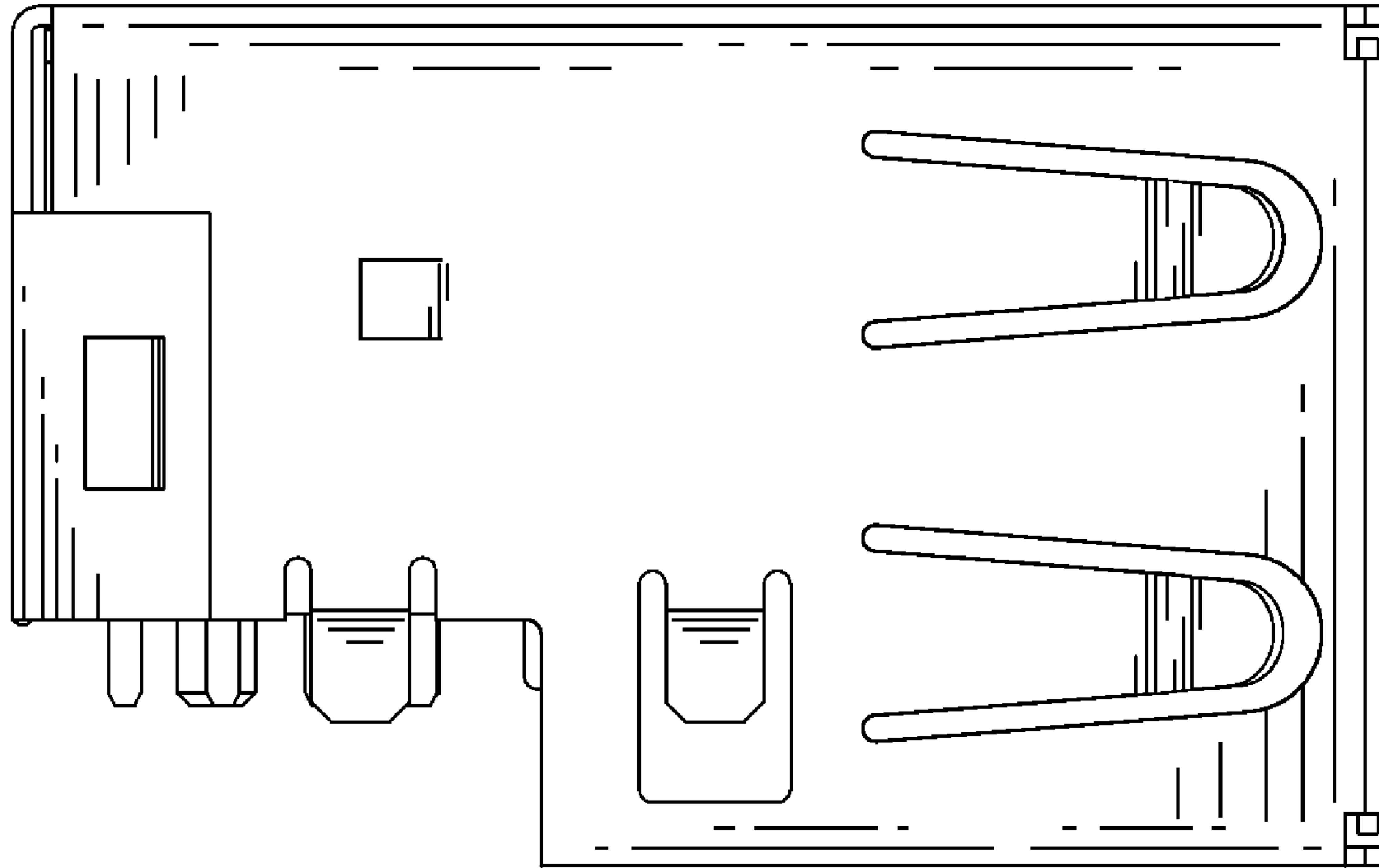


FIG. 4

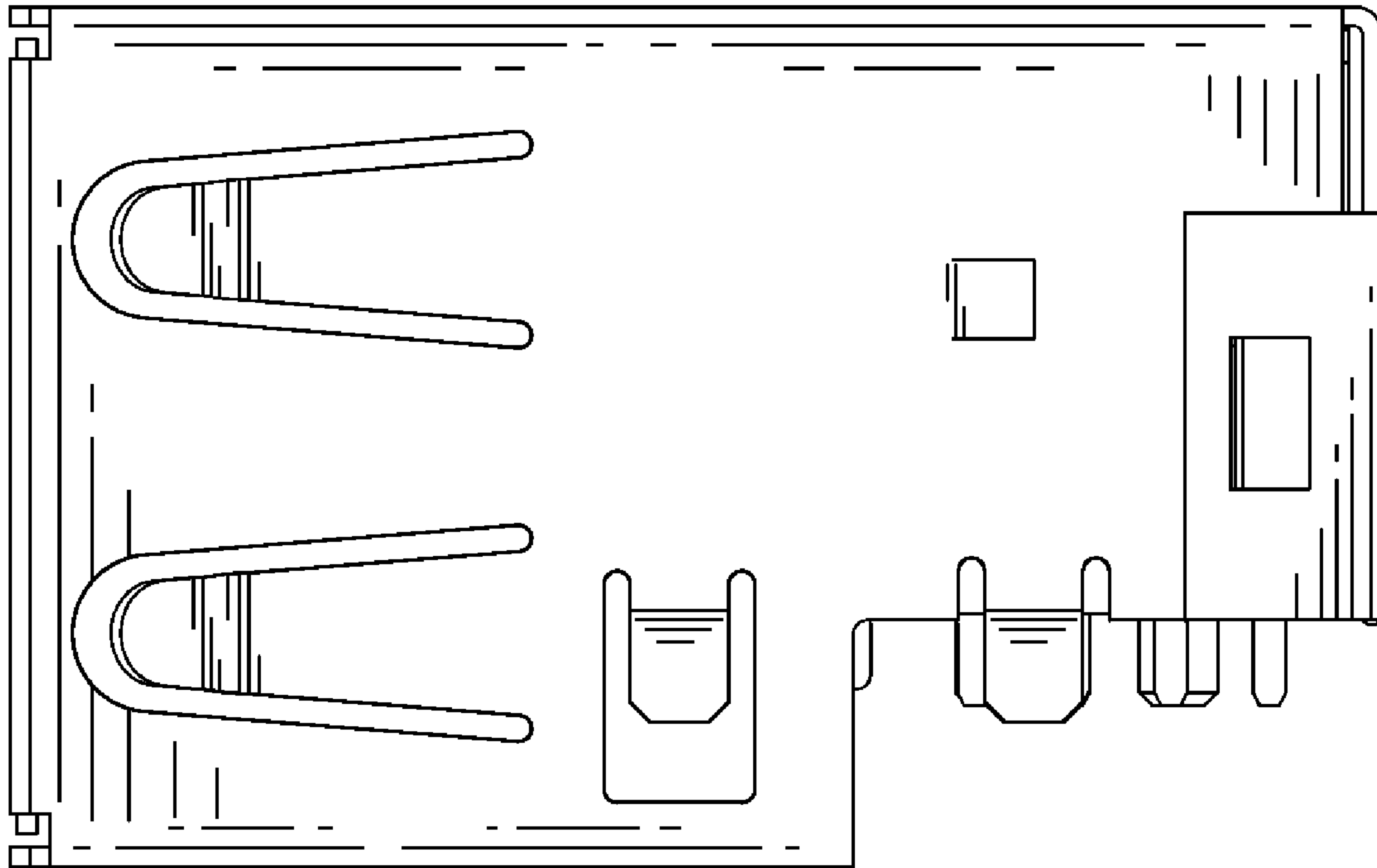


FIG. 5

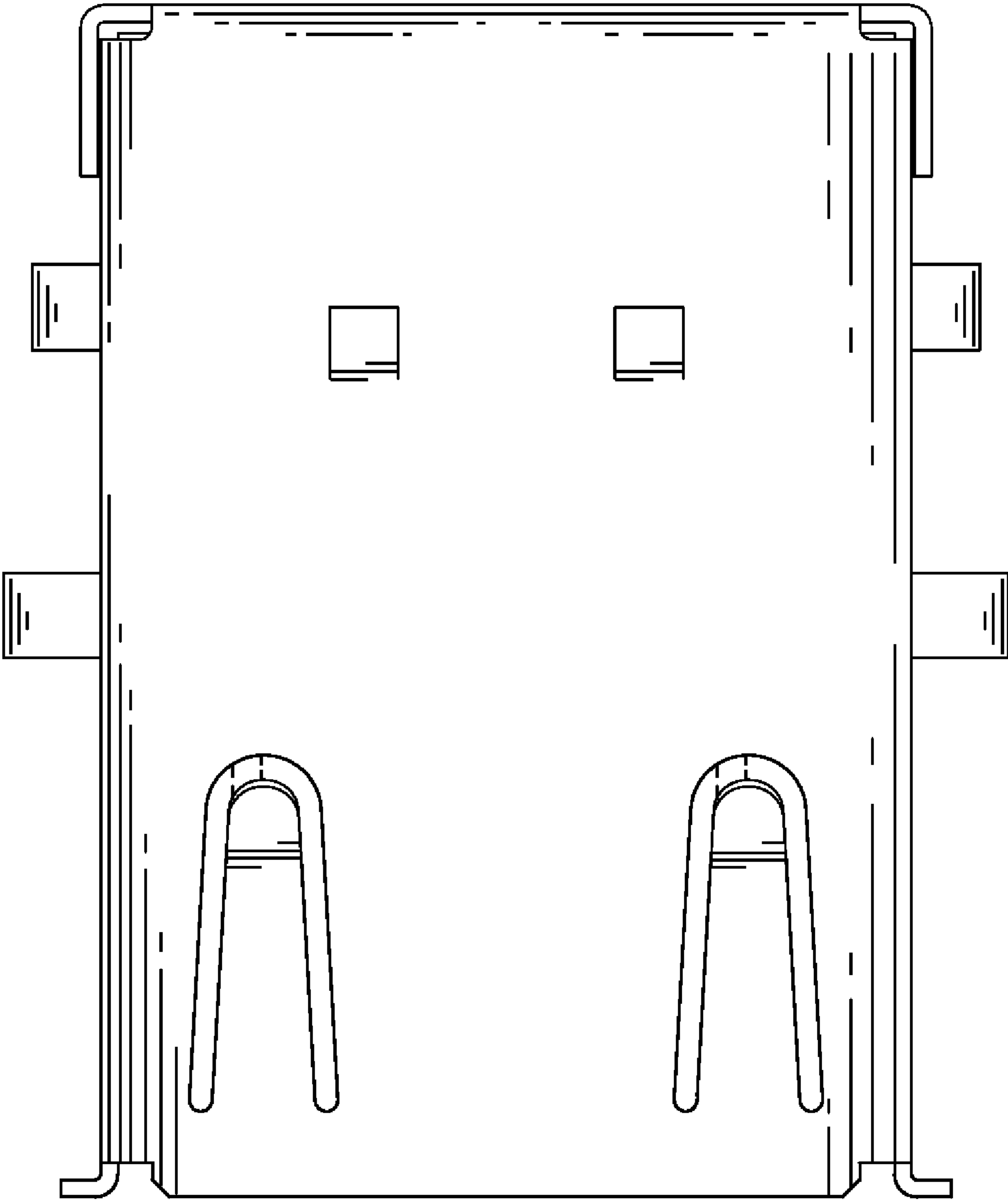


FIG. 6

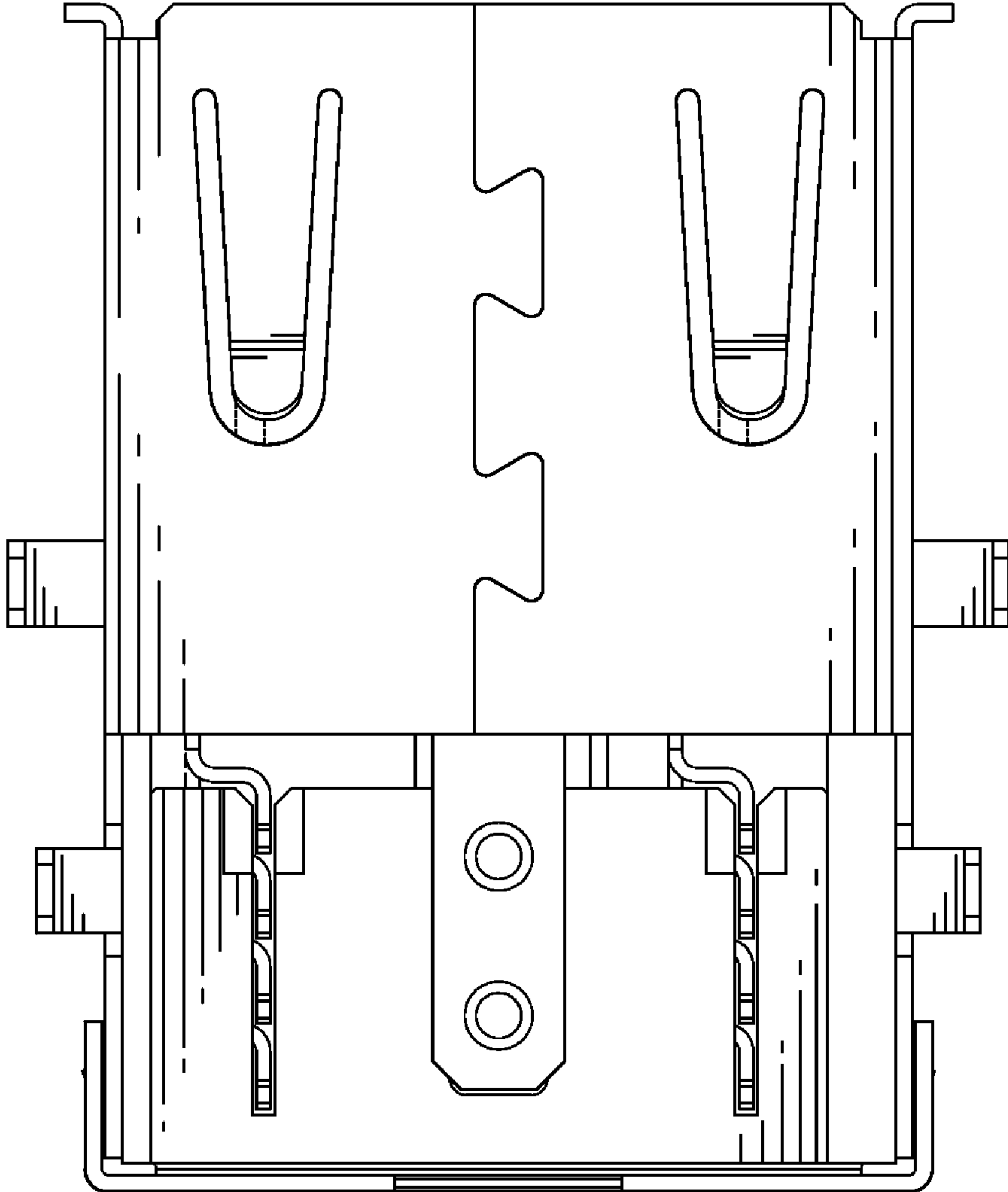


FIG. 7

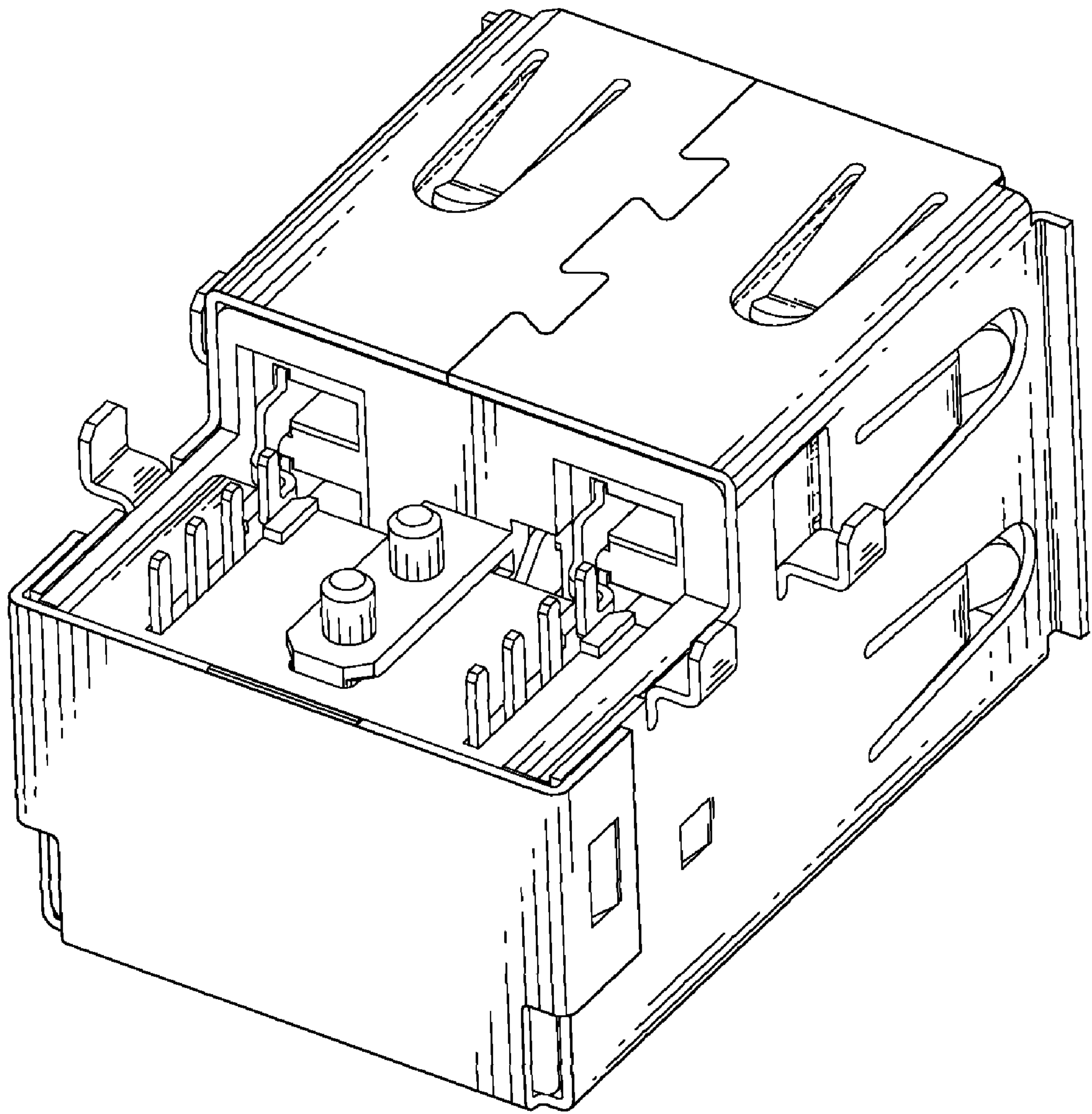


FIG. 8