



US00D620445S

(12) **United States Design Patent**  
**Yang et al.**

(10) **Patent No.:** **US D620,445 S**  
(45) **Date of Patent:** **\*\* Jul. 27, 2010**

(54) **RECEPTACLE CONNECTOR**

(75) Inventors: **Ou Yang**, Guang-Dong (CN); **Ping-Chih Chen**, Tu-Cheng (TW); **Hong-Tu Zhang**, Guang-Dong (CN); **Ming-Chiang Chen**, Tu-Cheng (TW)

(73) Assignee: **Cheng Uei Precision Industry Co., Ltd.**, Tu-Cheng, Taipei Hsien (TW)

(\*\*) Term: **14 Years**

(21) Appl. No.: **29/353,485**

(22) Filed: **Jan. 8, 2010**

(51) **LOC (9) Cl.** ..... **13-03**

(52) **U.S. Cl.** ..... **D13/147**

(58) **Field of Classification Search** ..... D13/147,  
D13/154, 184; 439/79, 108, 378, 567, 607-610,  
439/668, 680

See application file for complete search history.

(56) **References Cited**

**U.S. PATENT DOCUMENTS**

- D522,460 S \* 6/2006 Chiang et al. .... D13/147
- D524,747 S \* 7/2006 Nishio et al. .... D13/147
- D587,655 S \* 3/2009 Chiang ..... D13/147
- D599,294 S \* 9/2009 Yang et al. .... D13/147

D608,288 S \* 1/2010 Zhu et al. .... D13/147

\* cited by examiner

*Primary Examiner*—Daniel D Bui  
(74) *Attorney, Agent, or Firm*—Cheng-Ju Chiang

(57) **CLAIM**

The ornamental design for a receptacle connector, as shown and described.

**DESCRIPTION**

FIG. 1 is a front, top and right side perspective view of a receptacle connector showing our new design;

FIG. 2 is a front elevational view thereof;

FIG. 3 is a rear elevational view thereof;

FIG. 4 is a left side elevational view thereof;

FIG. 5 is a right side elevational view thereof;

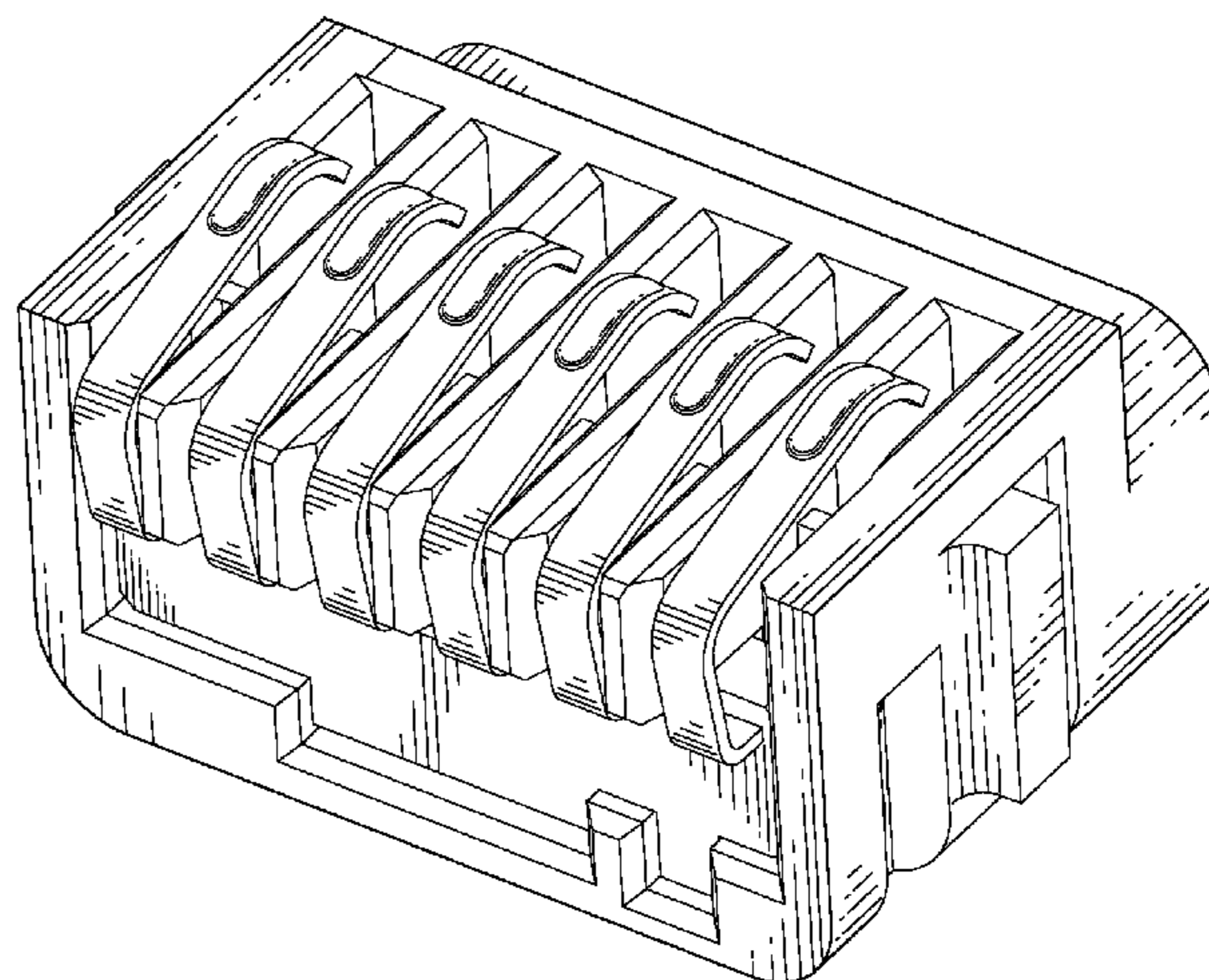
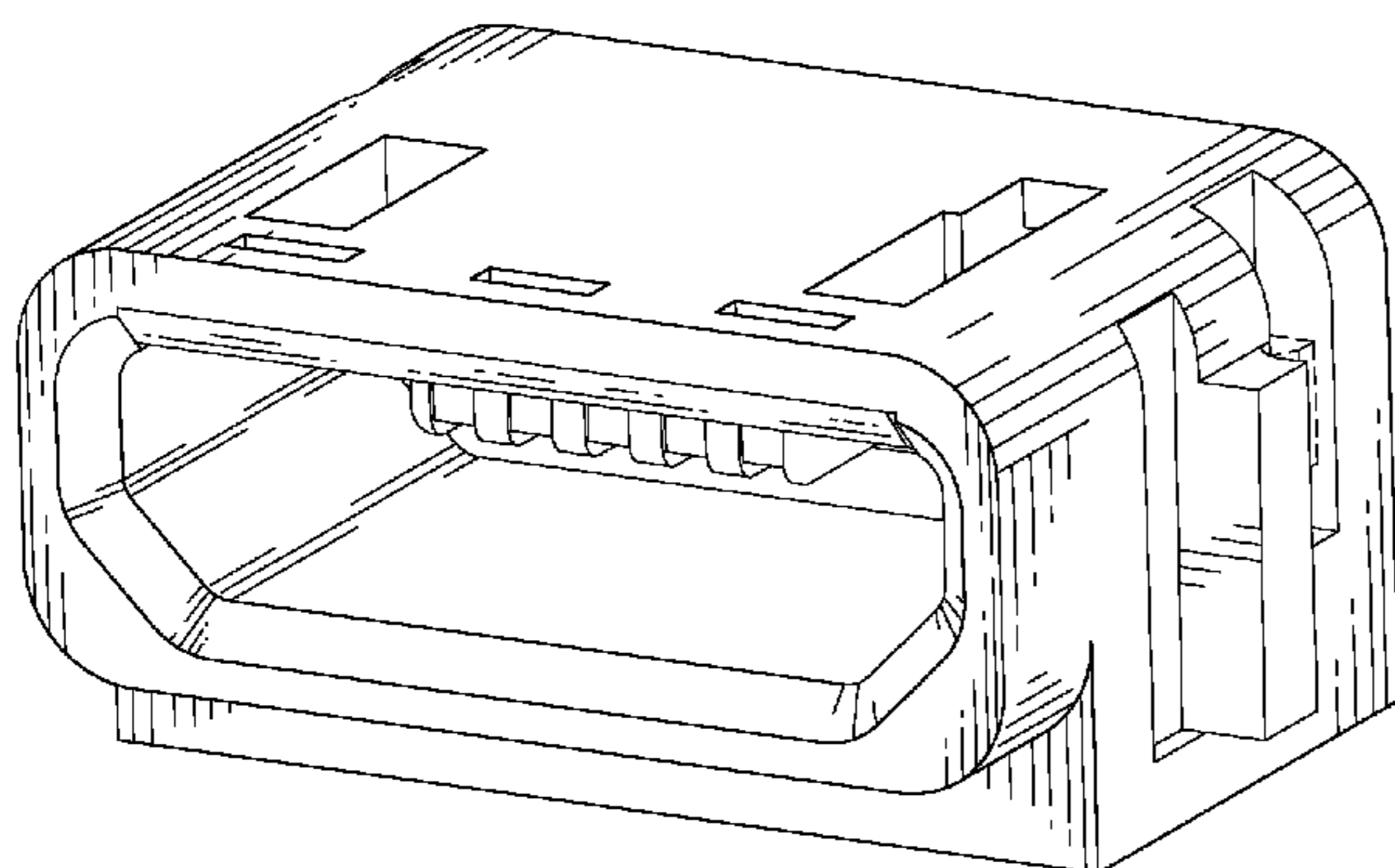
FIG. 6 is a top plan view thereof;

FIG. 7 is a bottom plan view thereof; and,

FIG. 8 is a rear, bottom and right side perspective view of a receptacle connector showing our new design.

The broken line portion of the figure drawings is included to show unclaimed subject matter only and forms no part of the claimed design.

**1 Claim, 8 Drawing Sheets**



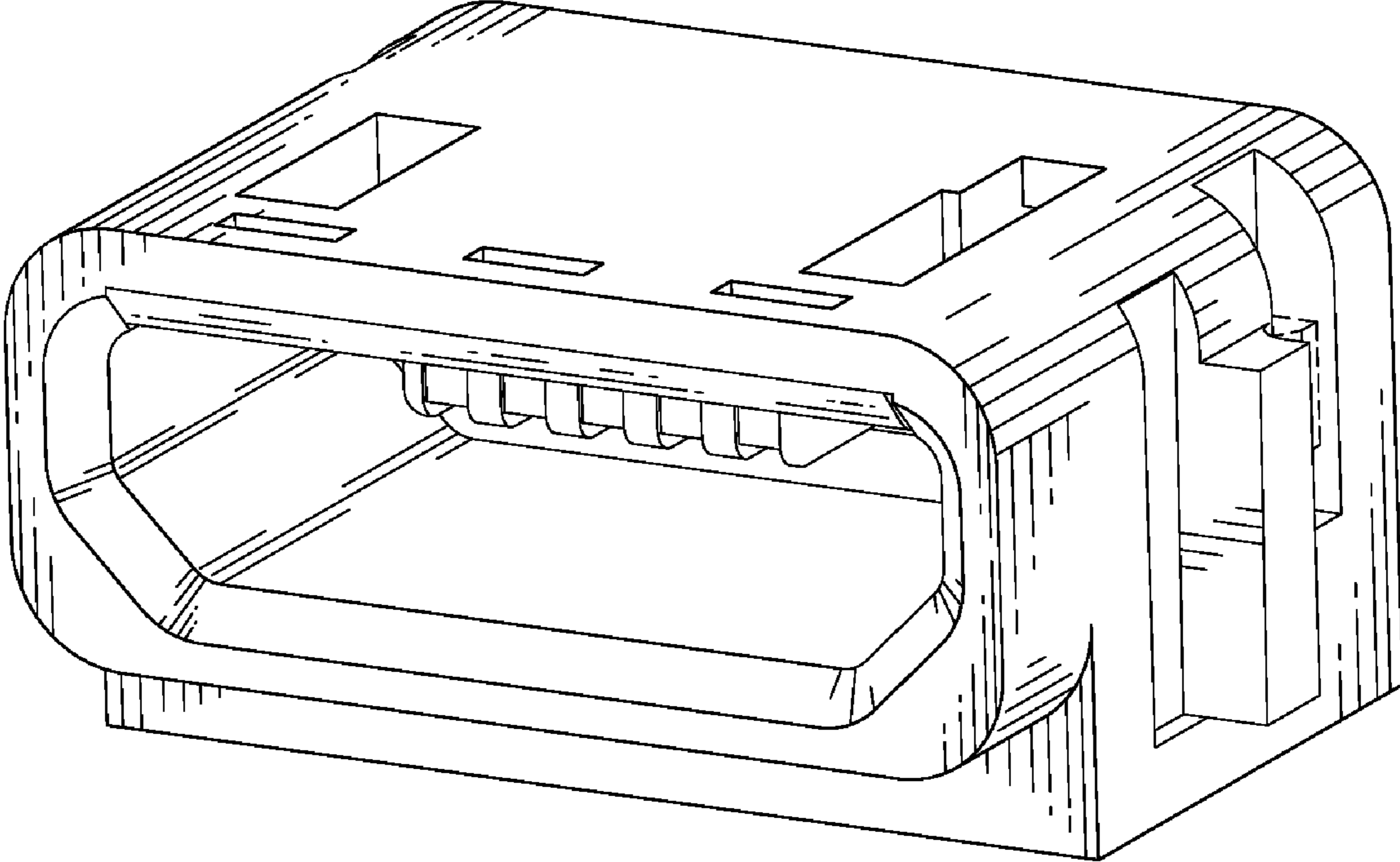


FIG. 1

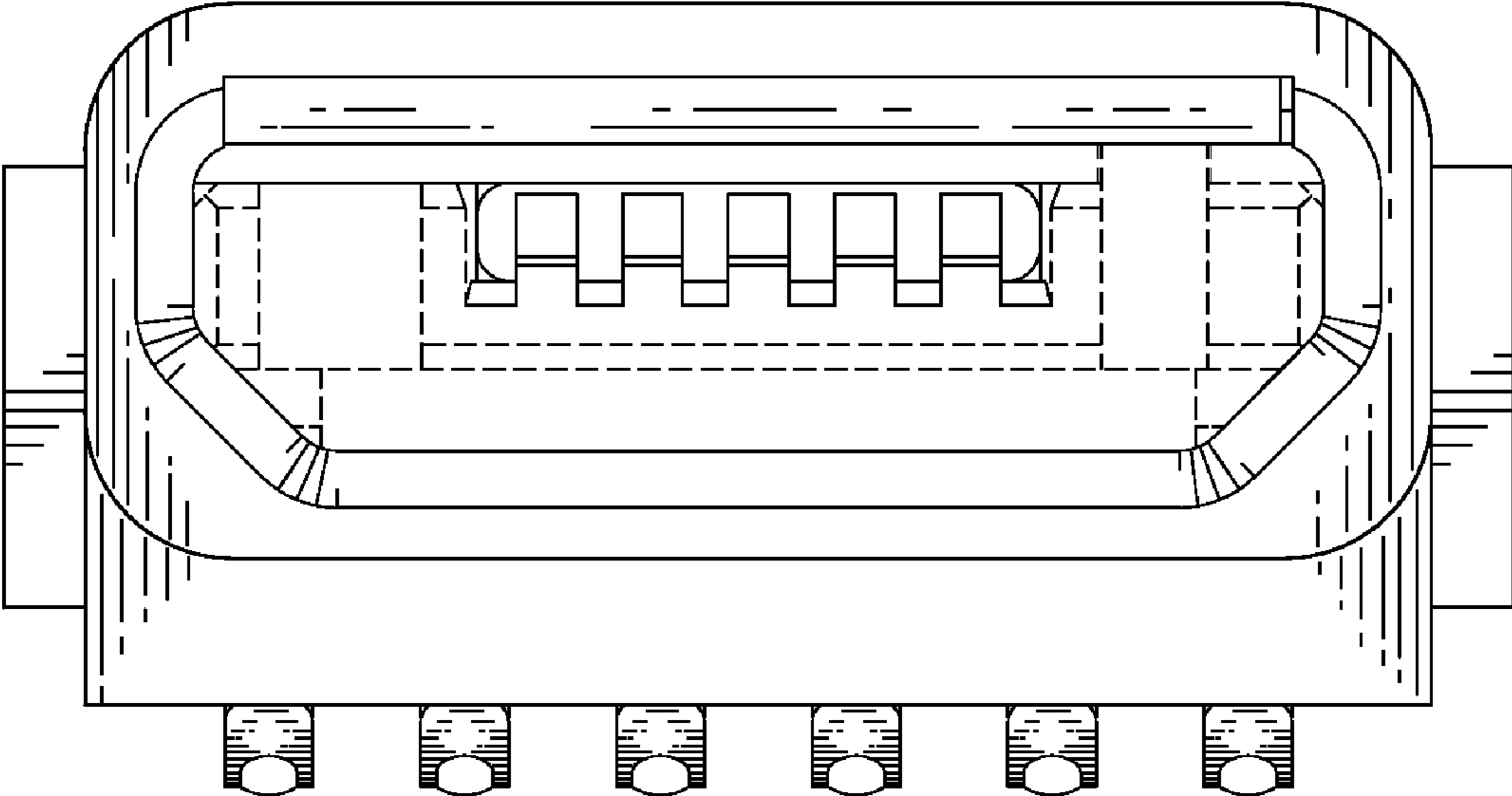


FIG. 2

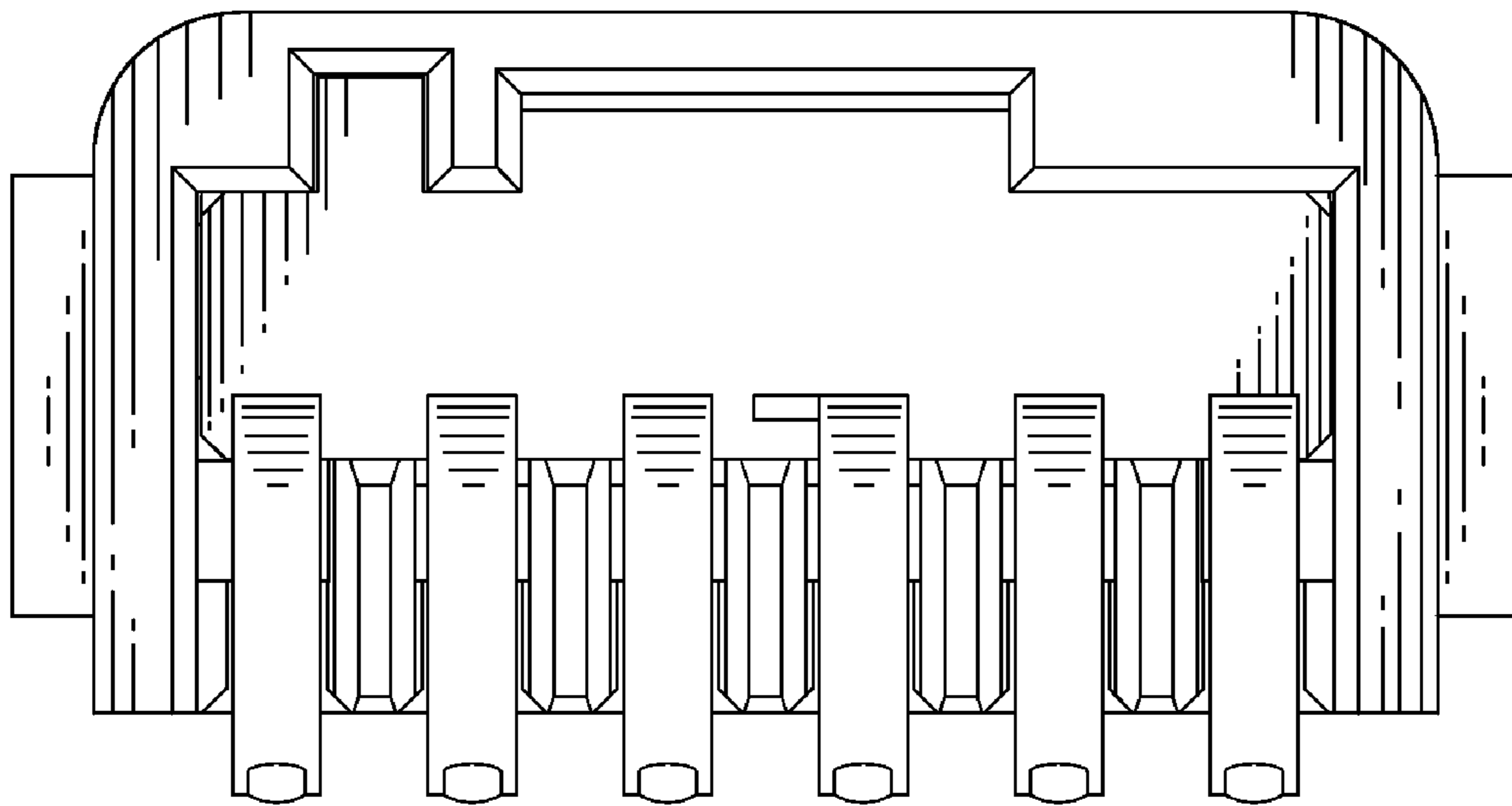


FIG. 3

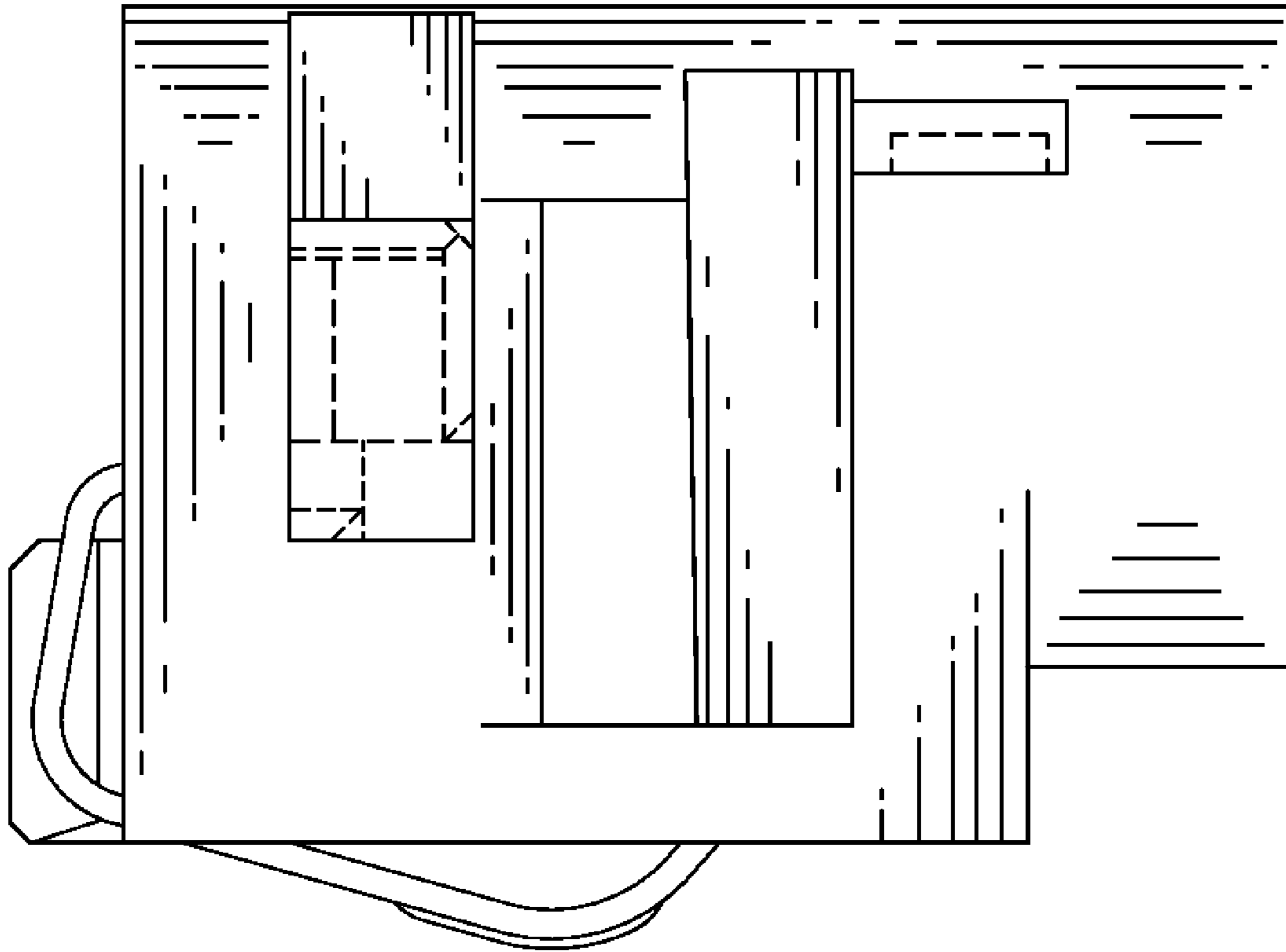


FIG. 4

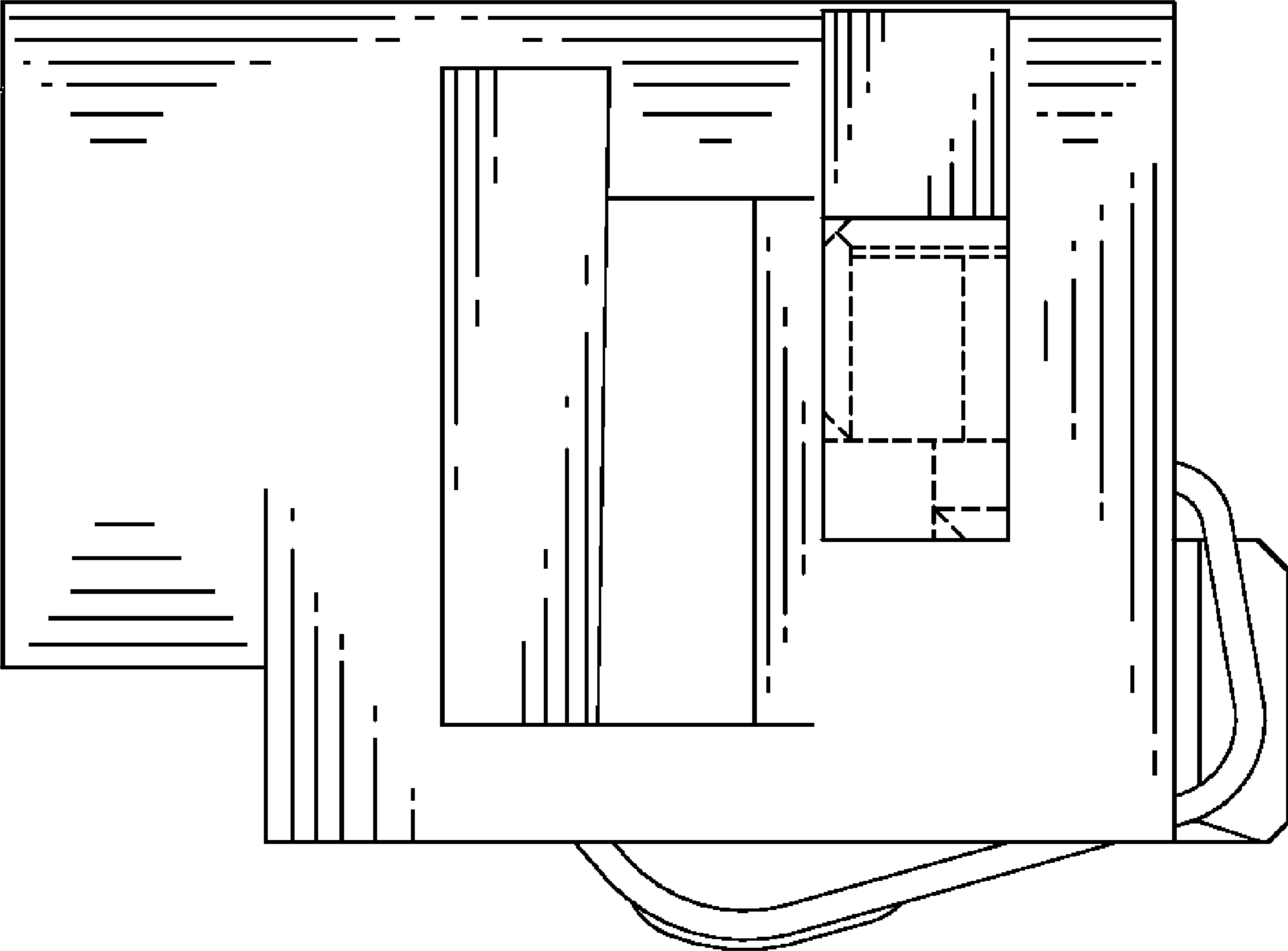


FIG. 5

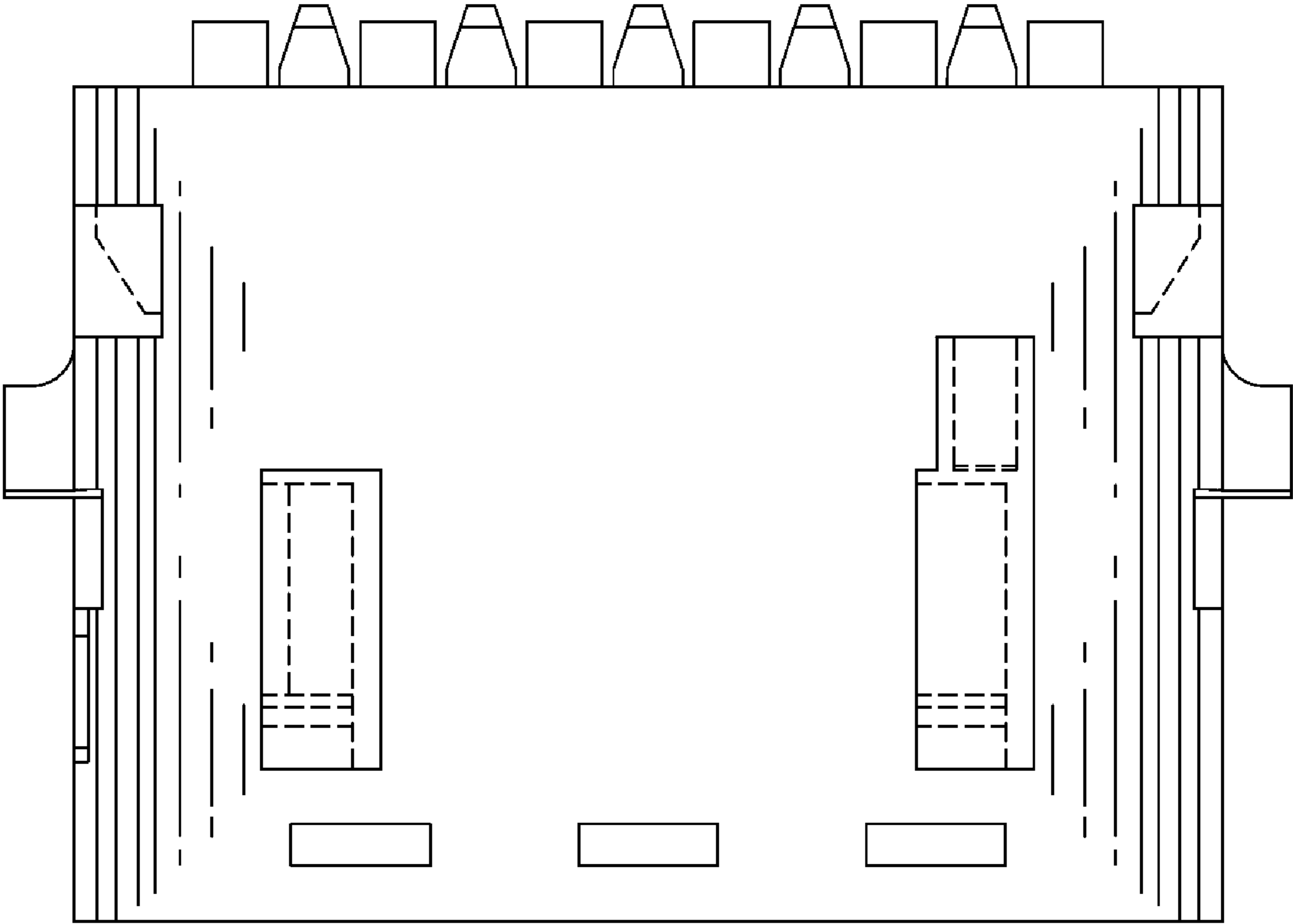


FIG. 6

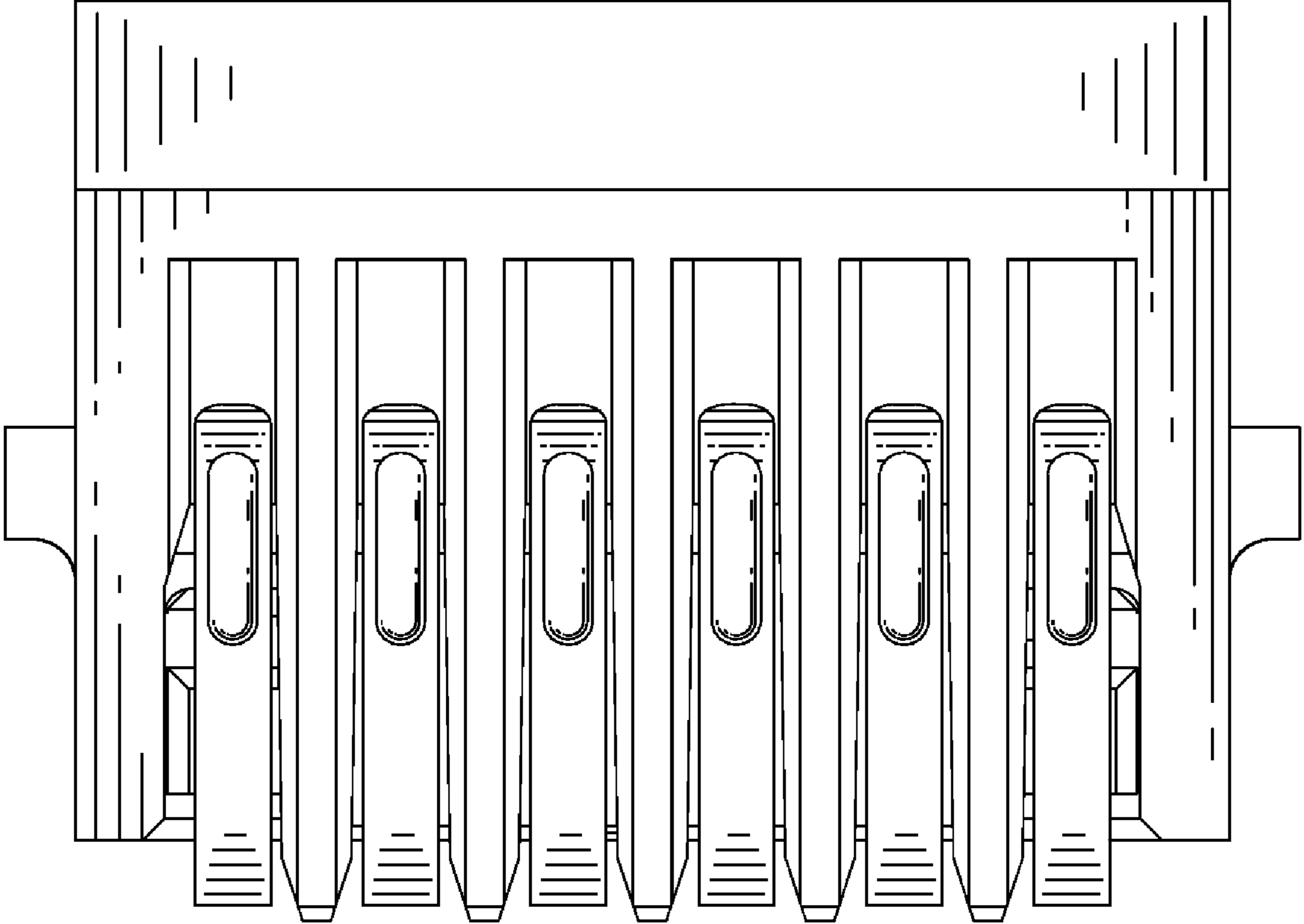


FIG. 7



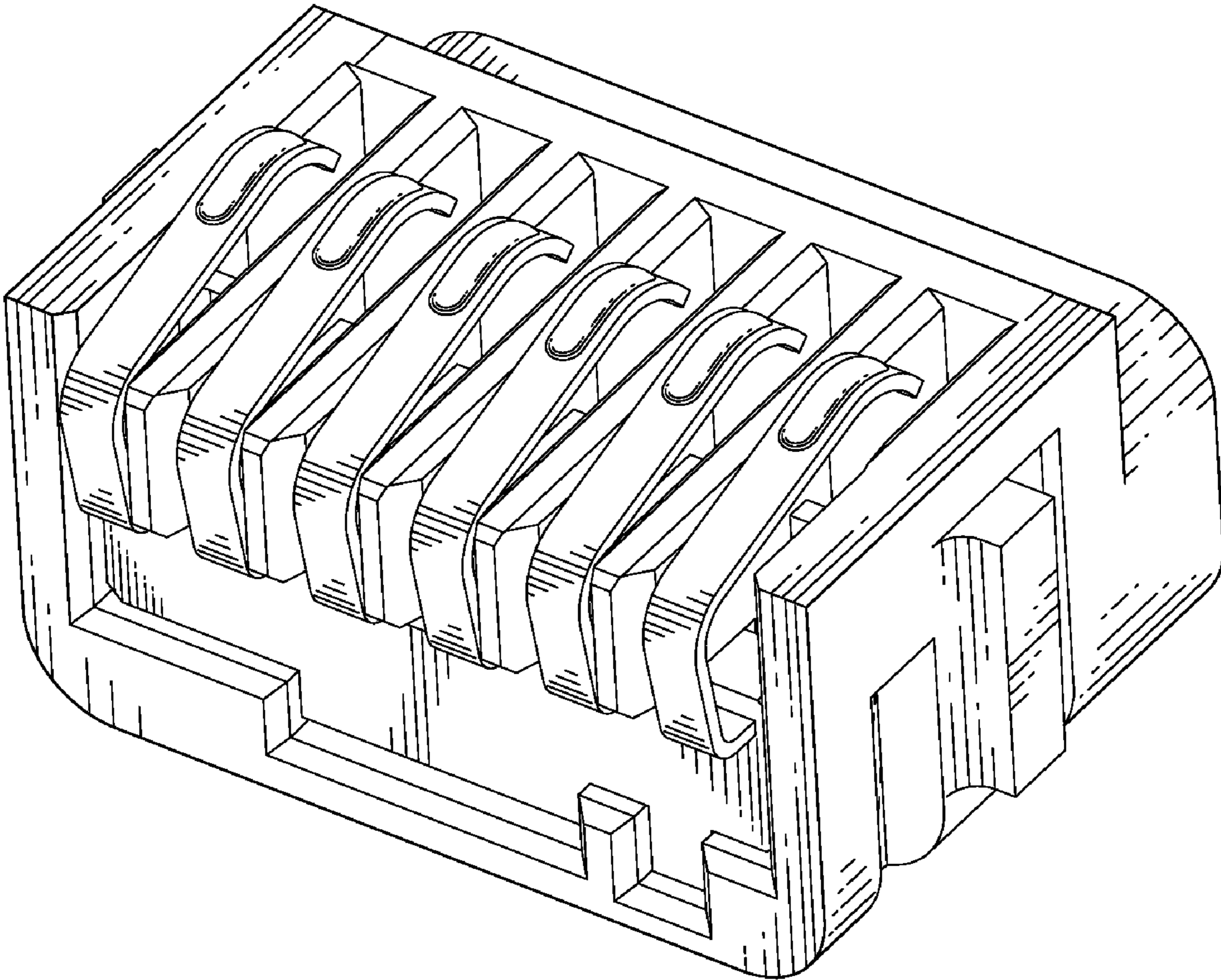


FIG. 8