



US00D620443S

(12) **United States Design Patent**  
**Shu**

(10) **Patent No.:** **US D620,443 S**  
(45) **Date of Patent:** **\*\* Jul. 27, 2010**

(54) **RECEPTACLE CONNECTOR**

(75) Inventor: **Ke-Qi Shu**, Guang-Dong (CN)  
(73) Assignee: **Cheng UEI Precision Industry Co., Ltd.**, Tu-Cheng, Taipei Hsien (TW)

(\*\*) Term: **14 Years**

(21) Appl. No.: **29/351,870**

(22) Filed: **Dec. 11, 2009**

(51) **LOC (9) Cl.** ..... **13-03**

(52) **U.S. Cl.** ..... **D13/147**

(58) **Field of Classification Search** ..... D13/147,  
D13/154, 184; 439/79, 108, 378, 567, 607-610,  
439/668, 680

See application file for complete search history.

(56) **References Cited**

**U.S. PATENT DOCUMENTS**

D446,773	S	*	8/2001	Yao et al.	.....	D13/147
D583,758	S	*	12/2008	Cheng et al.	.....	D13/133
D584,232	S	*	1/2009	Su et al.	.....	D13/147
D589,448	S	*	3/2009	Koyama	.....	D13/147

\* cited by examiner

*Primary Examiner*—Daniel D Bui  
(74) *Attorney, Agent, or Firm*—Cheng-Ju Chiang

(57) **CLAIM**

The ornamental design for a receptacle connector, as shown and described.

**DESCRIPTION**

FIG. 1 is a front, top and right side perspective view of a receptacle connector showing my new design;

FIG. 2 is a front elevational view thereof;

FIG. 3 is a rear elevational view thereof;

FIG. 4 is a left side elevational view thereof;

FIG. 5 is a right side elevational view thereof;

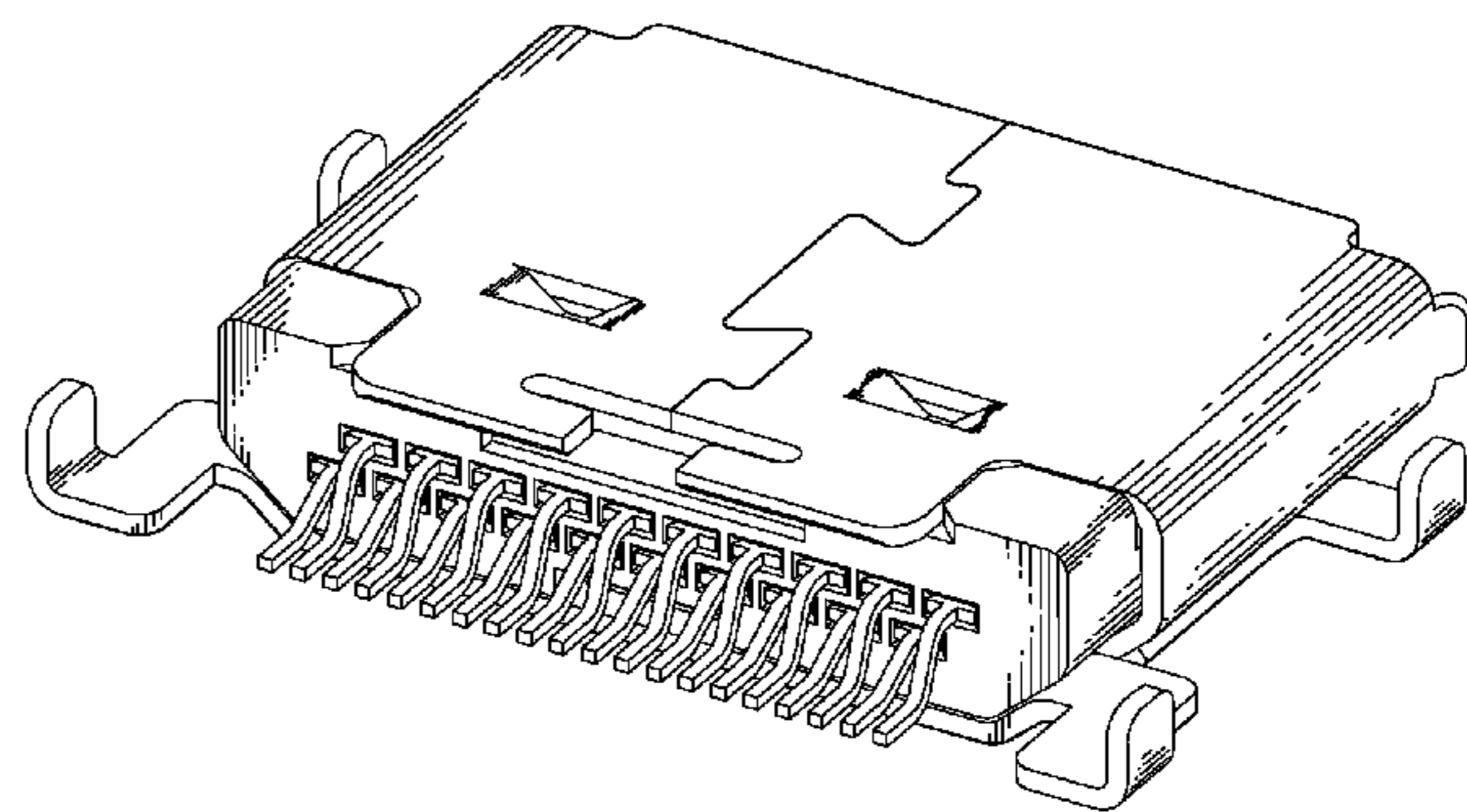
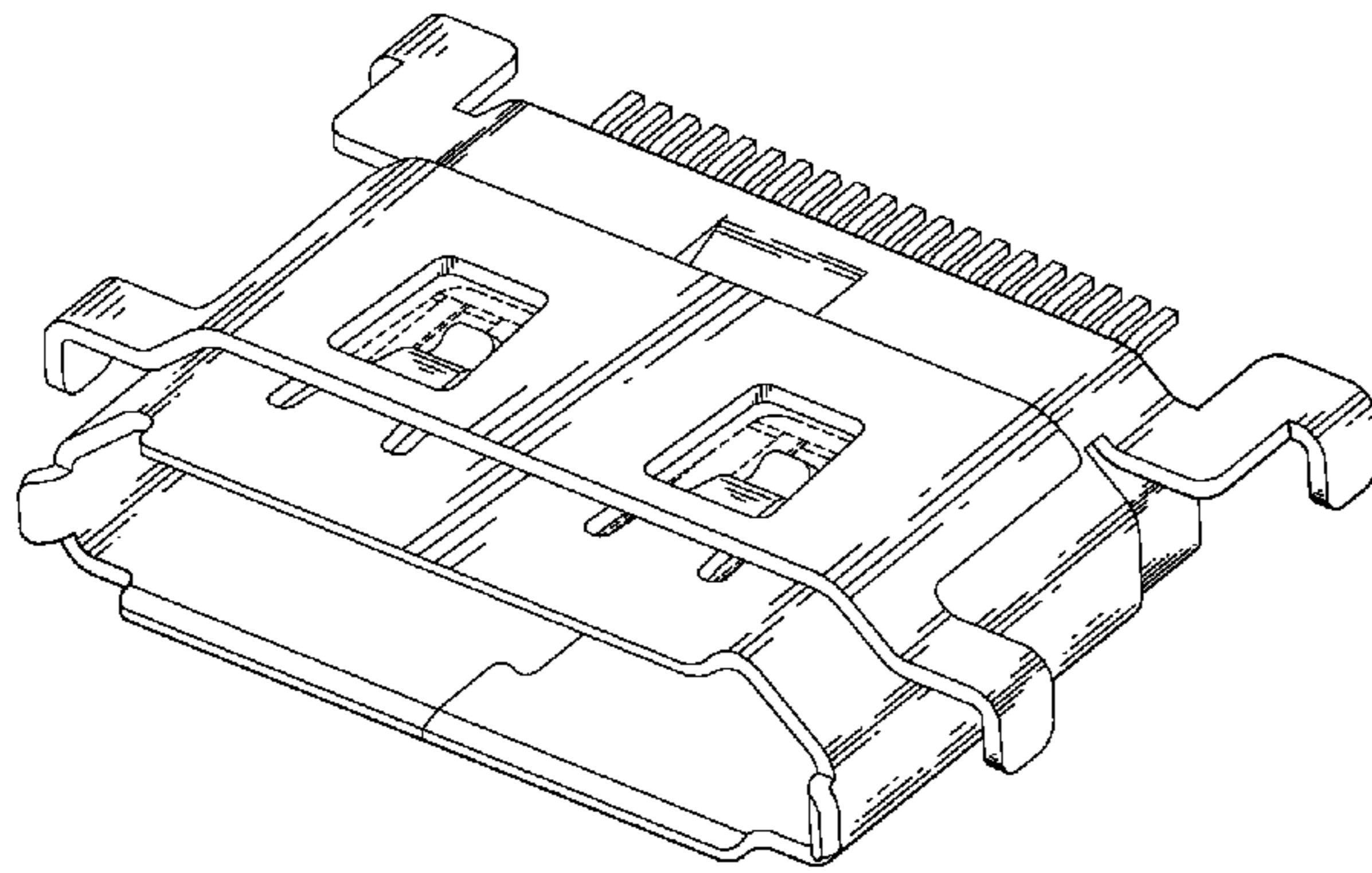
FIG. 6 is a top plan view thereof;

FIG. 7 is a bottom plan view thereof; and,

FIG. 8 is a rear, bottom and right side perspective view of a receptacle connector showing my new design.

The broken line portion of the figure drawings is included to show unclaimed subject matter only and forms no part of the claimed design.

**1 Claim, 8 Drawing Sheets**



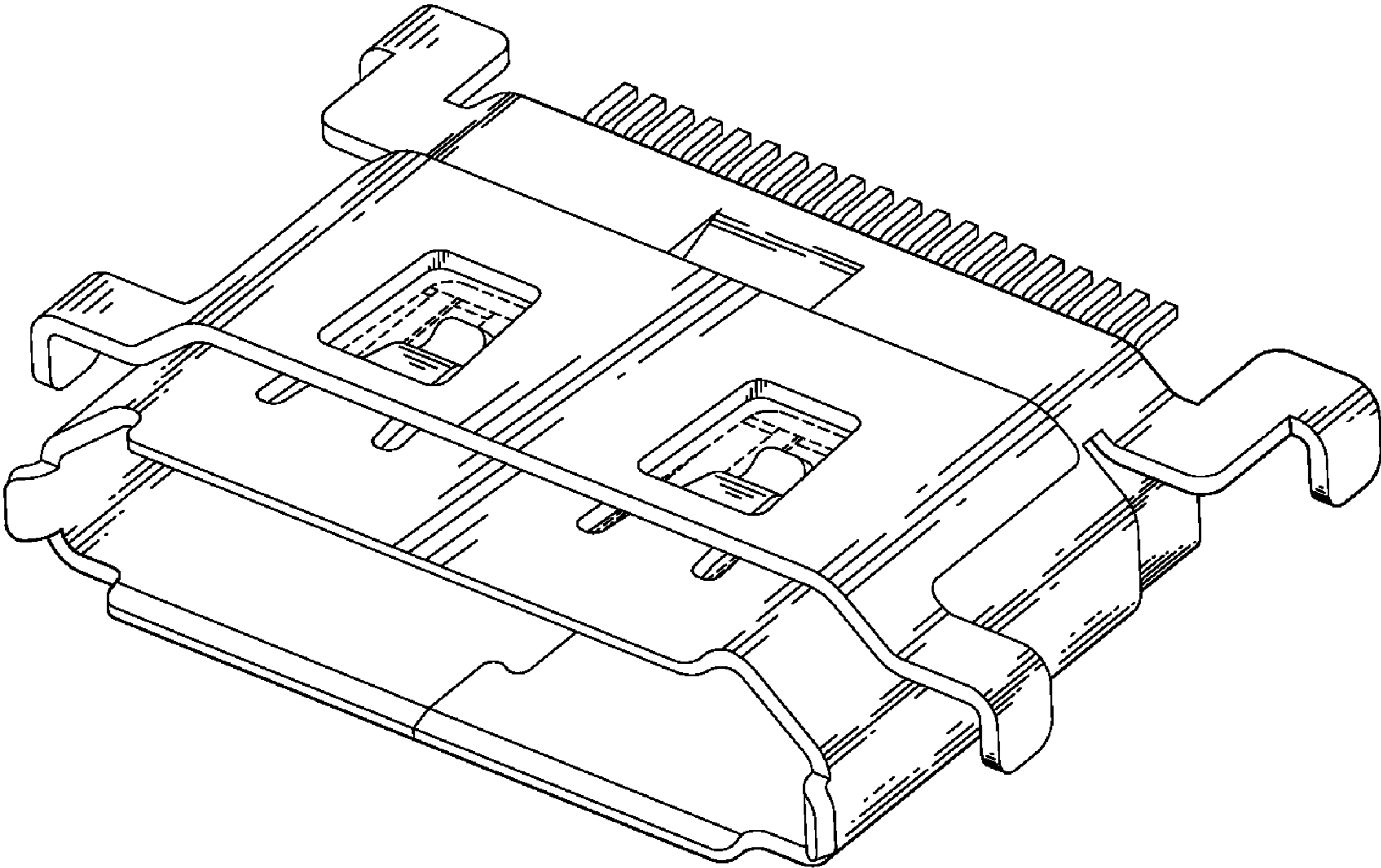


FIG. 1

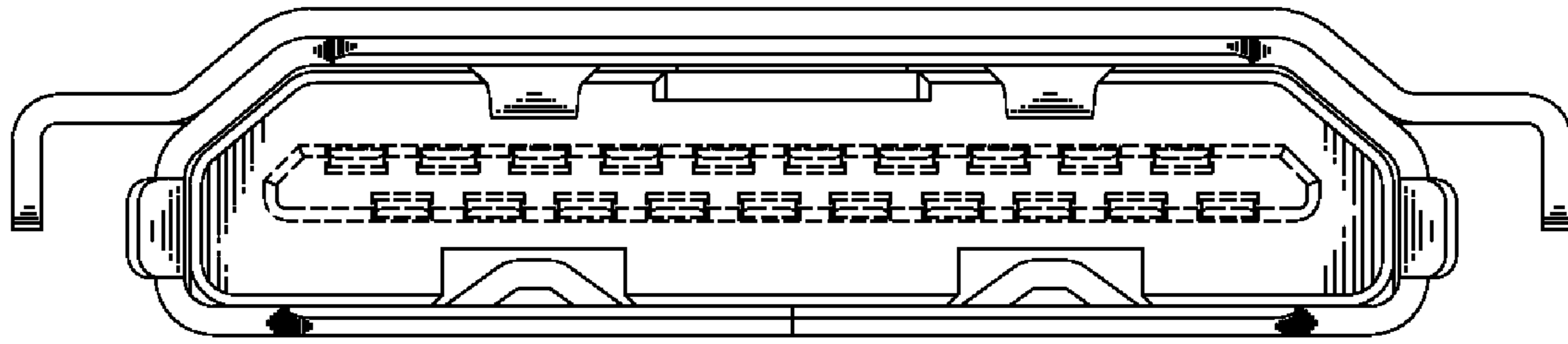


FIG. 2

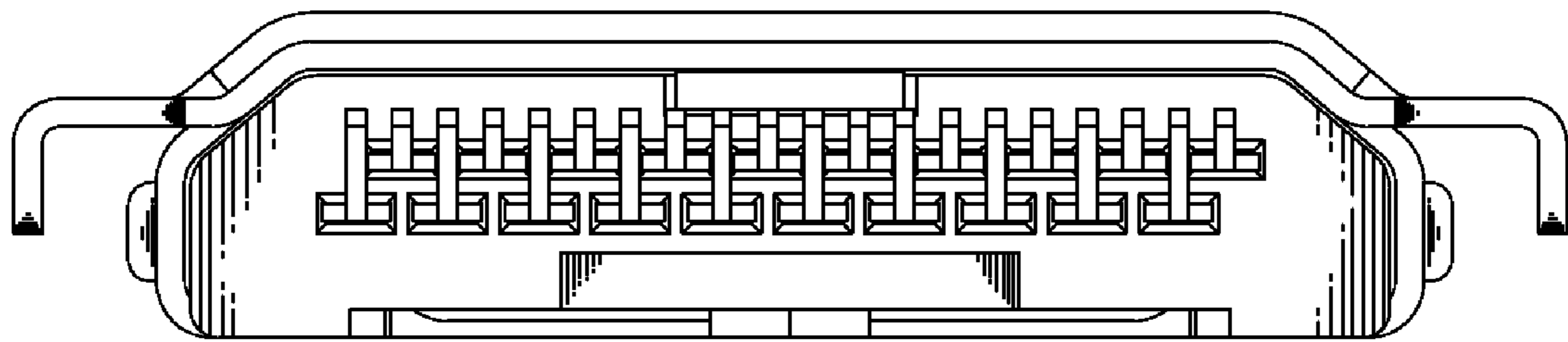


FIG. 3

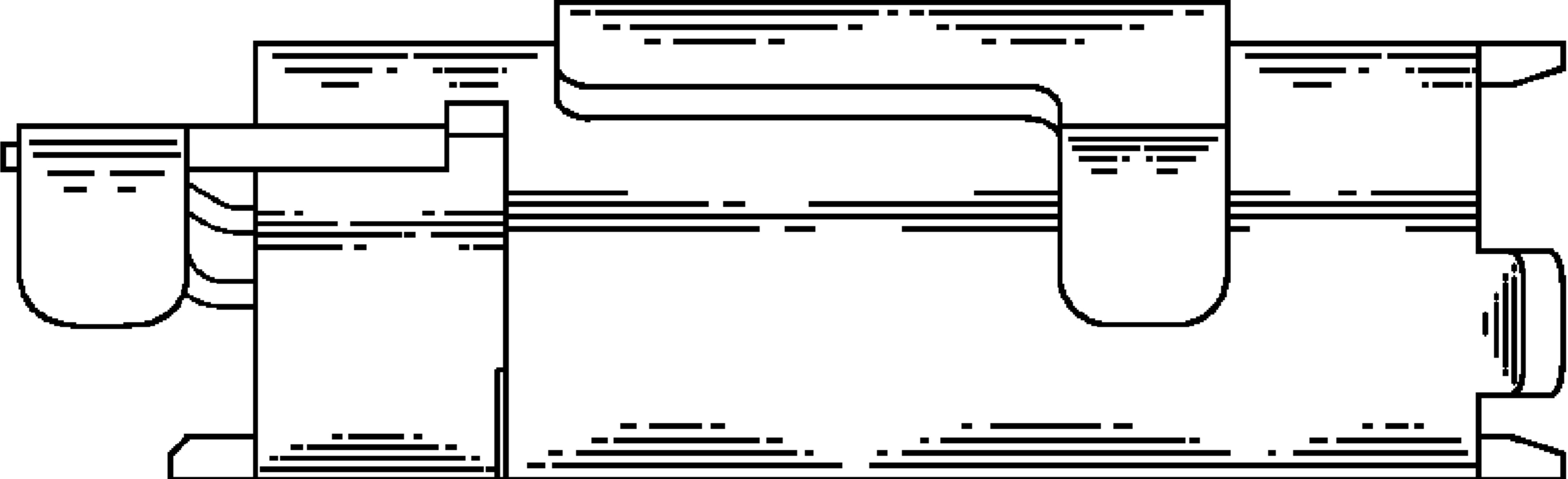


FIG. 4

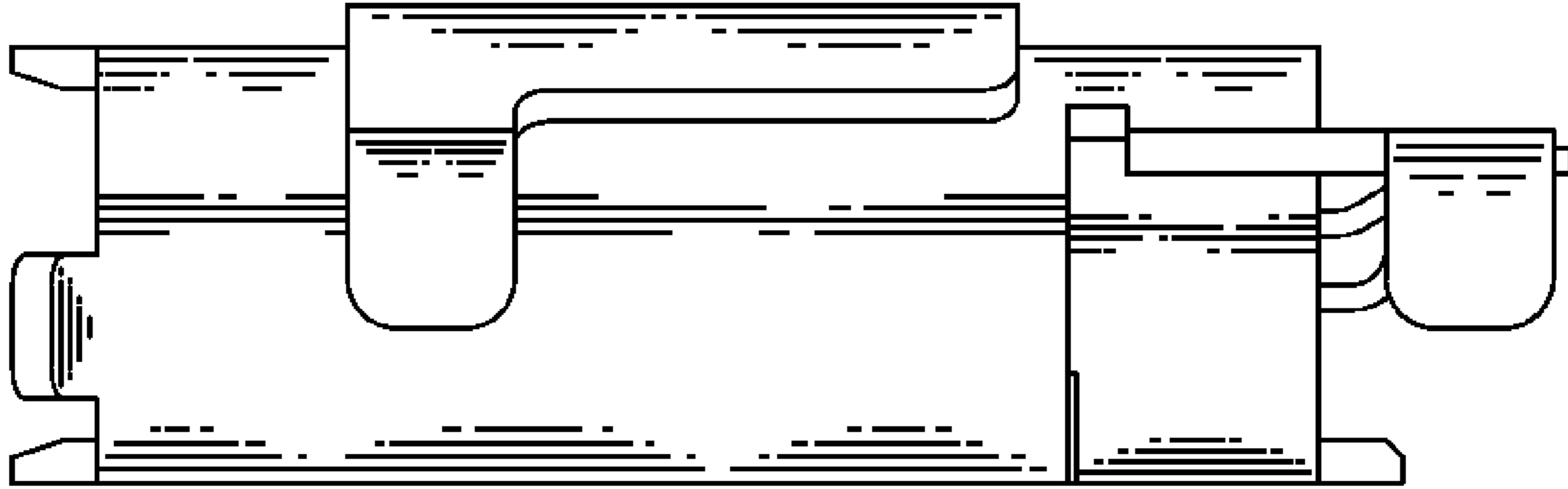


FIG. 5

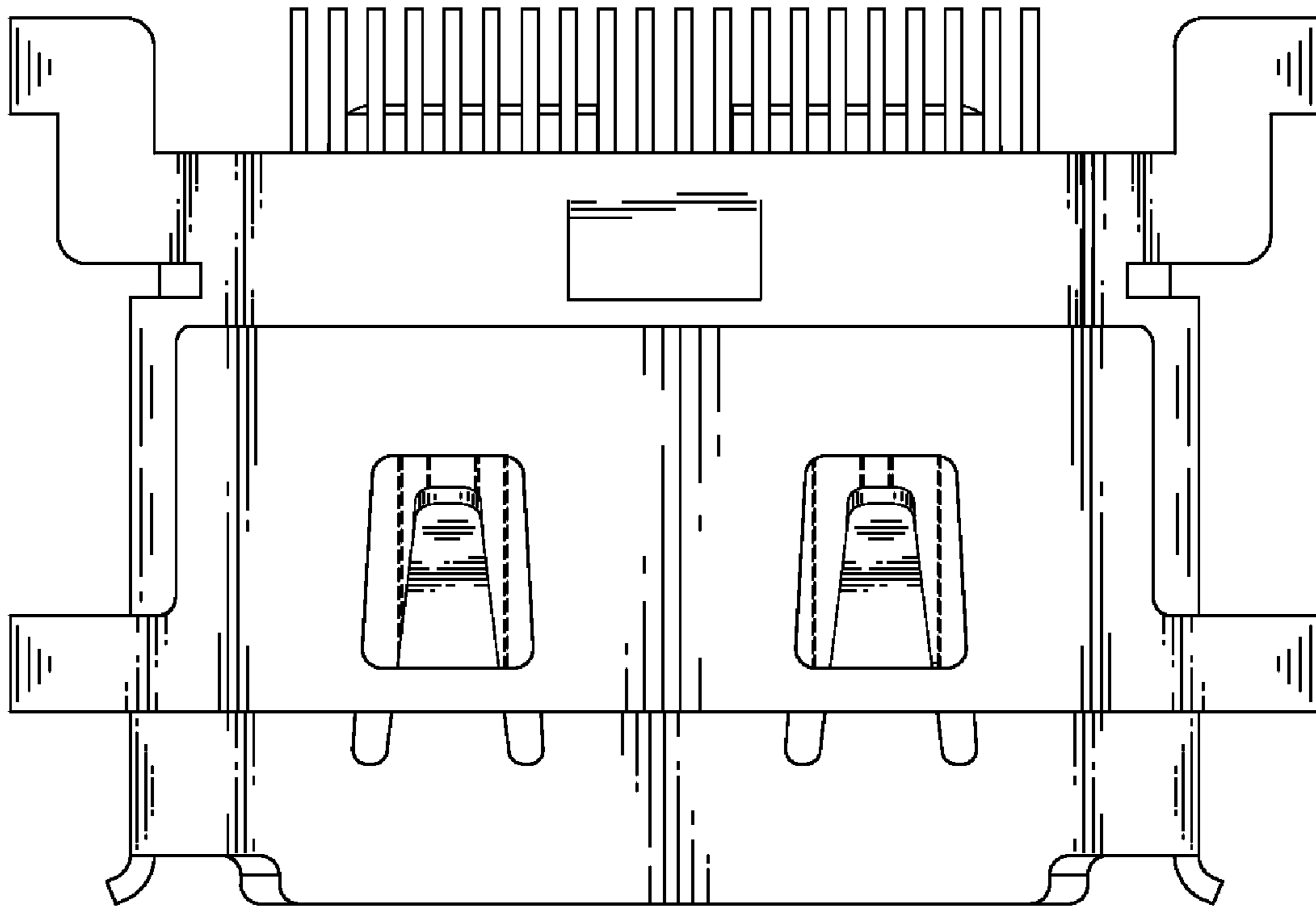


FIG. 6

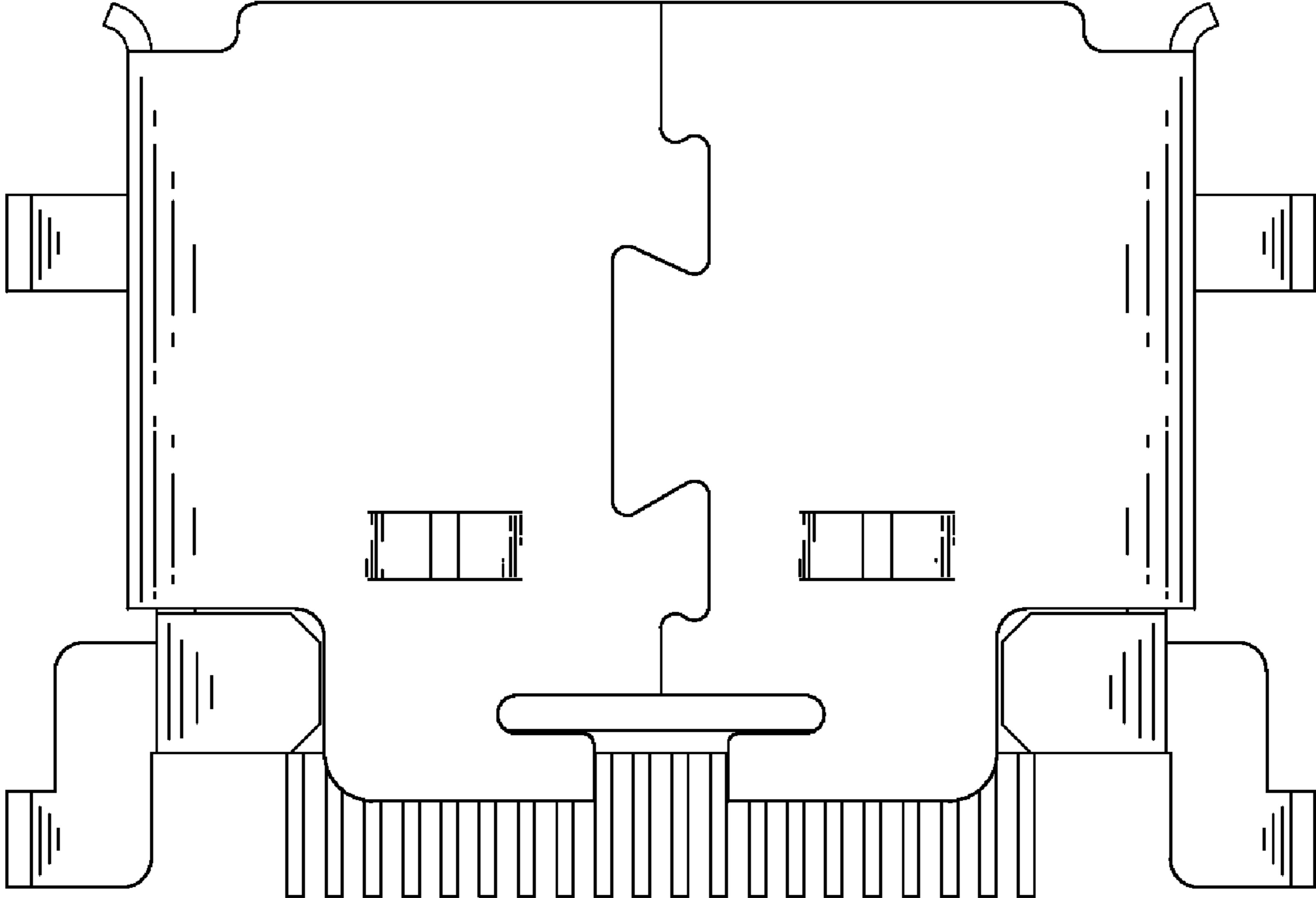


FIG. 7



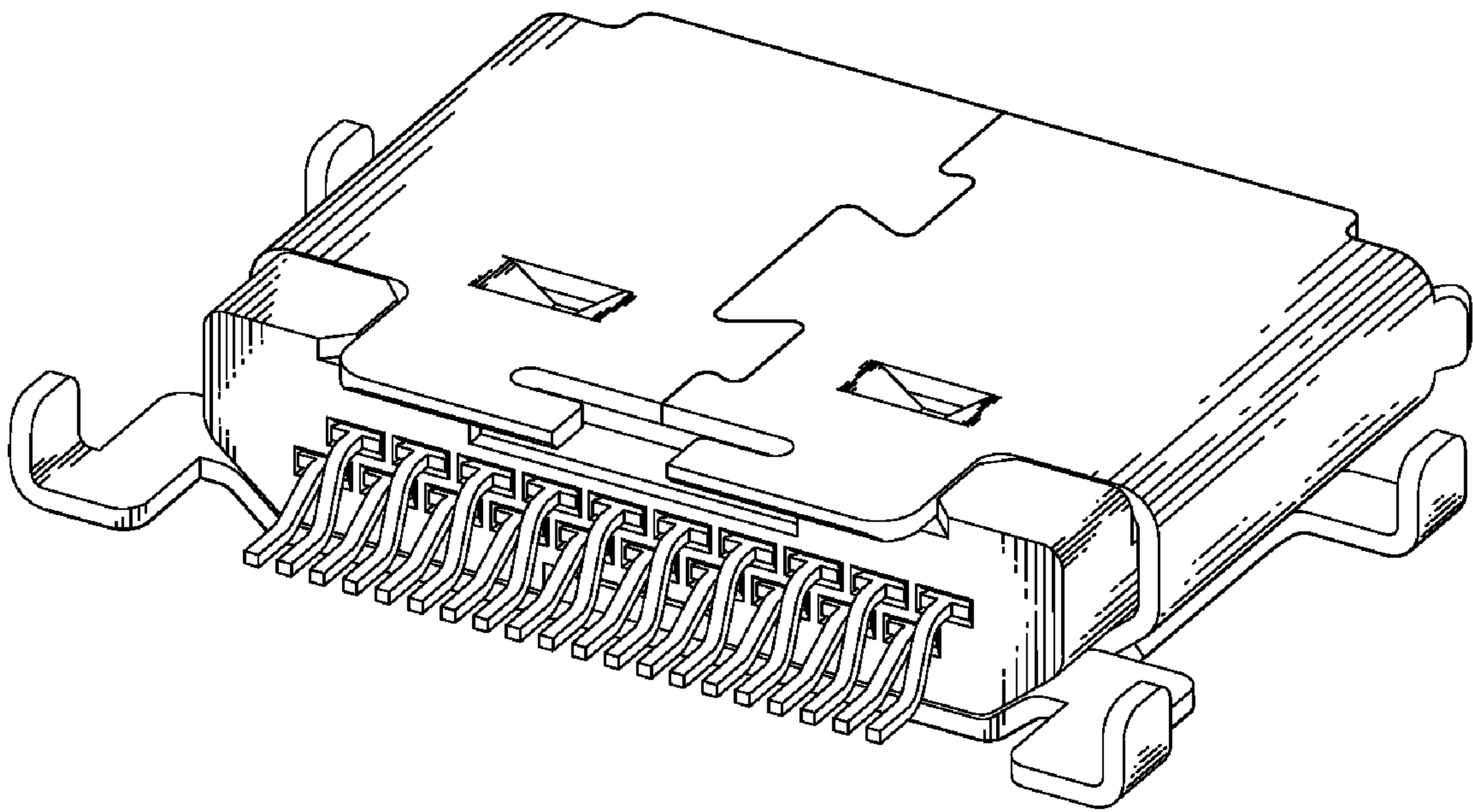


FIG. 8