



US00D620442S

(12) **United States Design Patent**
Sun et al.

(10) **Patent No.:** **US D620,442 S**

(45) **Date of Patent:** **** Jul. 27, 2010**

(54) **PLUG CONNECTOR**

(75) Inventors: **Dao-Rui Sun**, Tu-Cheng (TW); **Feng Zhu**, Tu-Cheng (TW); **Kuo-Chin Lin**, Tu-Cheng (TW)

(73) Assignee: **Cheng Uei Precision Industry Co., Ltd.**, Tu-Cheng, Taipei Hsien (TW)

(**) Term: **14 Years**

(21) Appl. No.: **29/344,052**

(22) Filed: **Sep. 22, 2009**

(51) **LOC (9) Cl.** **13-03**

(52) **U.S. Cl.** **D13/147**

(58) **Field of Classification Search** D13/147,
D13/154, 184; 439/79, 108, 607-610, 660,
439/668, 680, 892, 894

See application file for complete search history.

(56) **References Cited**

U.S. PATENT DOCUMENTS

- D449,277 S * 10/2001 Hwang D13/147
- D521,936 S * 5/2006 Novotney et al. D13/147
- D579,876 S * 11/2008 Novotney et al. D13/147

D598,390 S * 8/2009 Sun et al. D13/147

* cited by examiner

Primary Examiner—Daniel D Bui

(74) *Attorney, Agent, or Firm*—Cheng-Ju Chiang

(57) **CLAIM**

The ornamental design for a plug connector, as shown and described.

DESCRIPTION

FIG. 1 is a perspective view of a plug connector showing our new design;

FIG. 2 is a front elevational view thereof;

FIG. 3 is a rear elevational view thereof;

FIG. 4 is a left side elevational view thereof

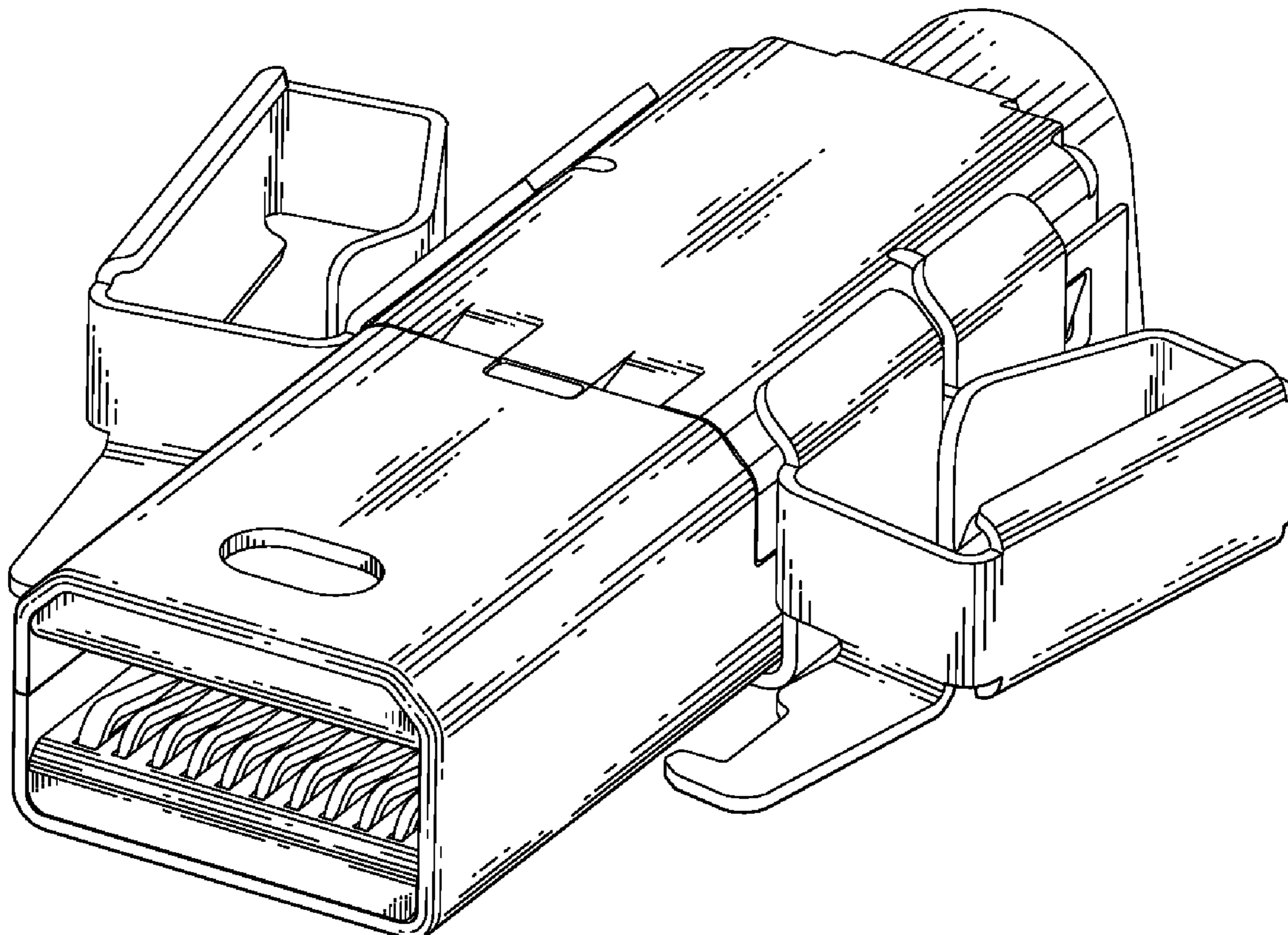
FIG. 5 is a right side elevational view thereof;

FIG. 6 is a top plan view thereof; and,

FIG. 7 is a bottom plan view thereof.

The broken line portion of the figure drawings is included to show unclaimed subject matter only and forms no part of the claimed design.

1 Claim, 7 Drawing Sheets



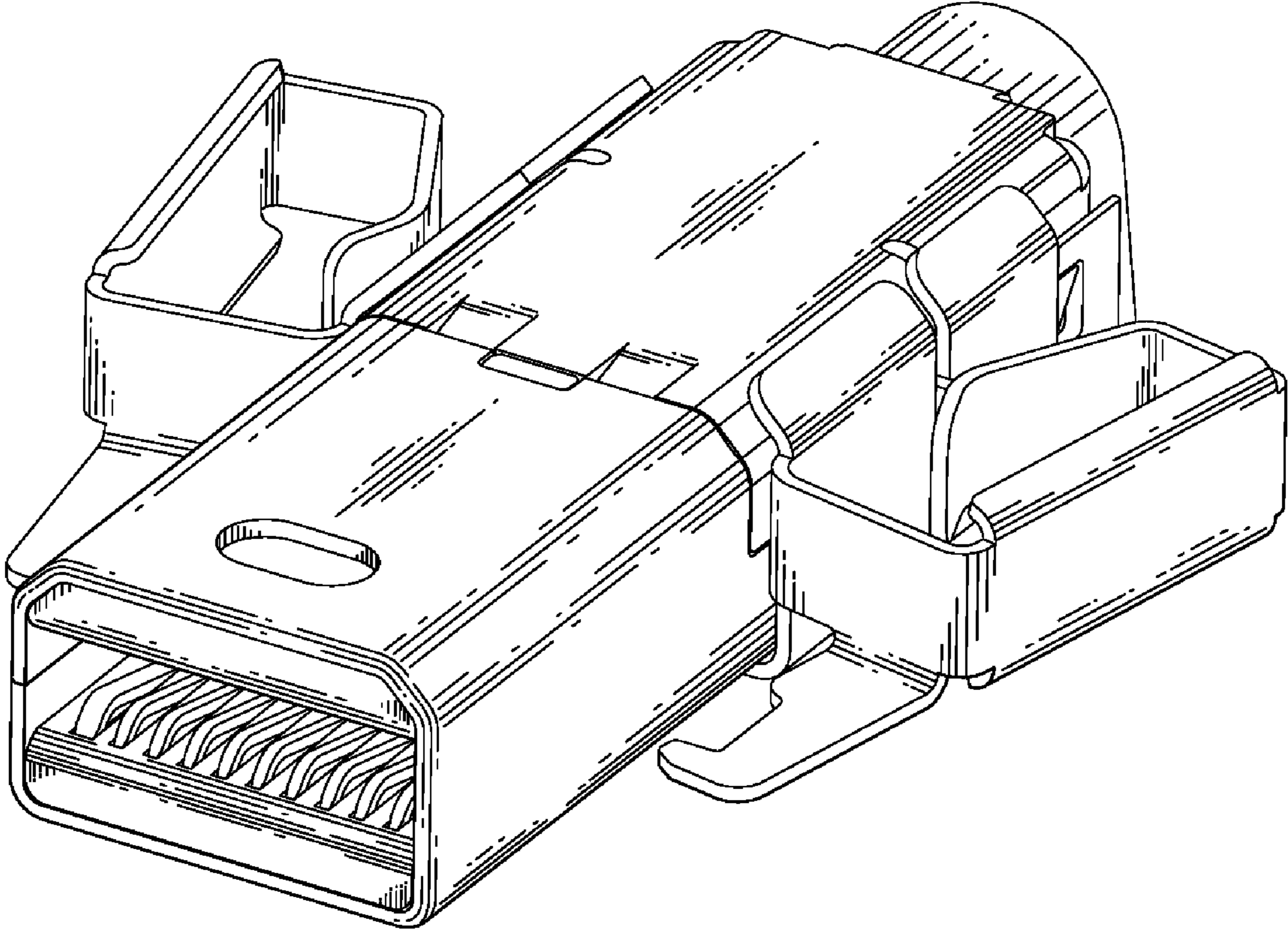


FIG. 1

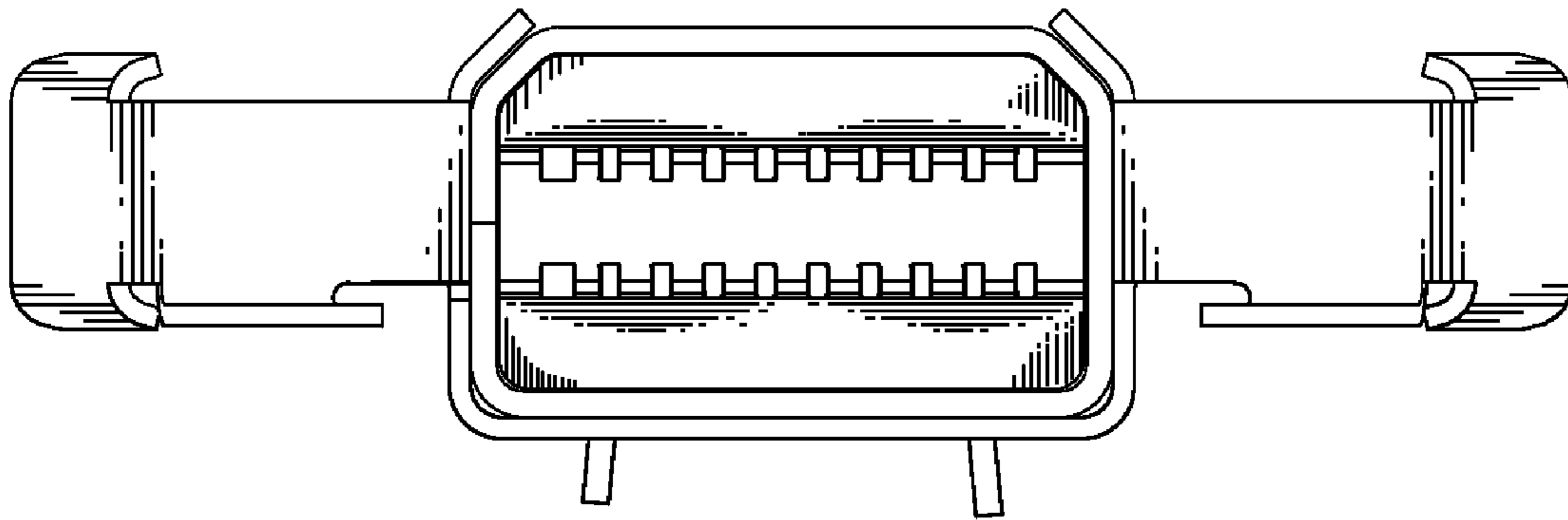


FIG. 2

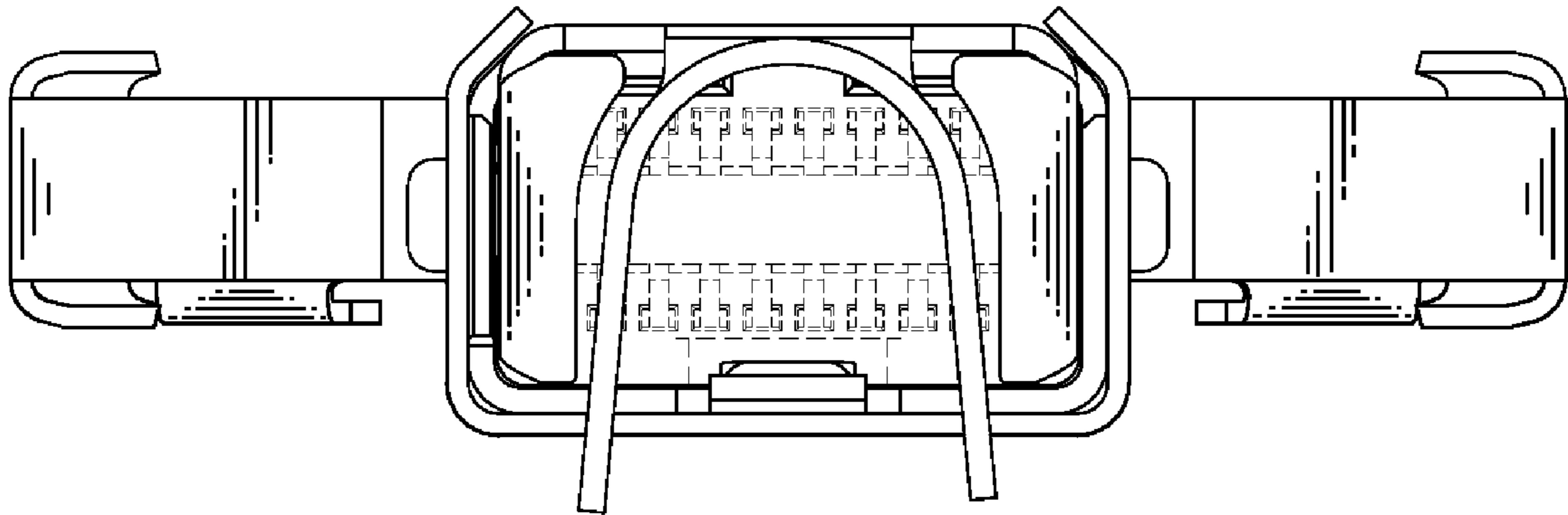


FIG. 3

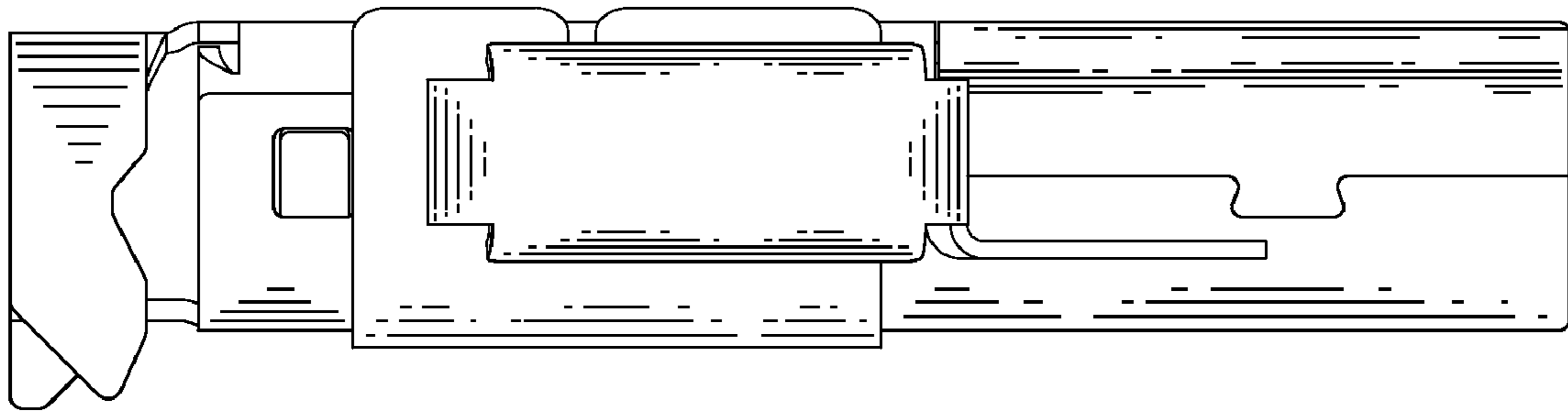


FIG. 4

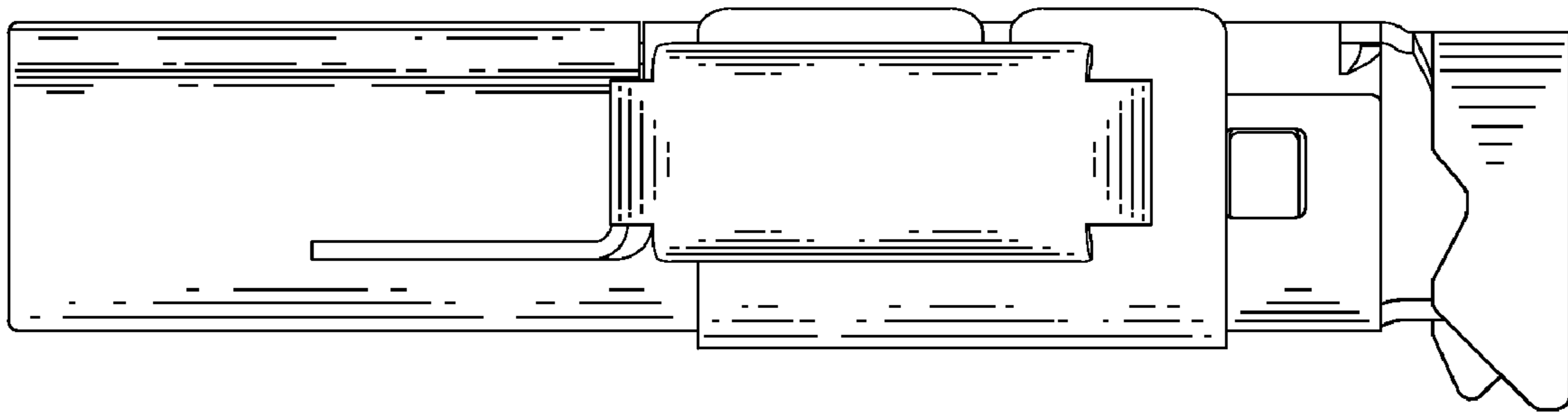


FIG. 5

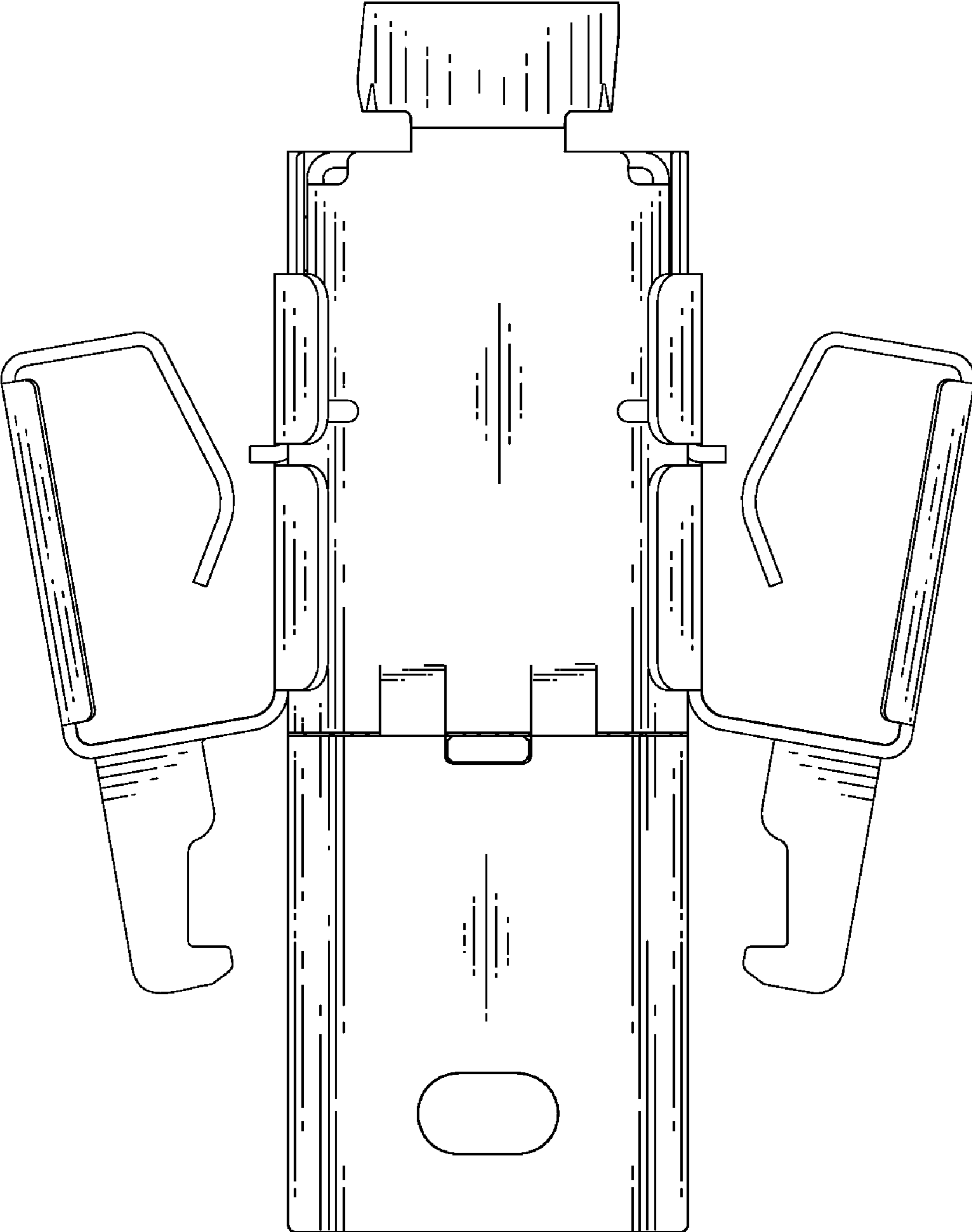


FIG. 6

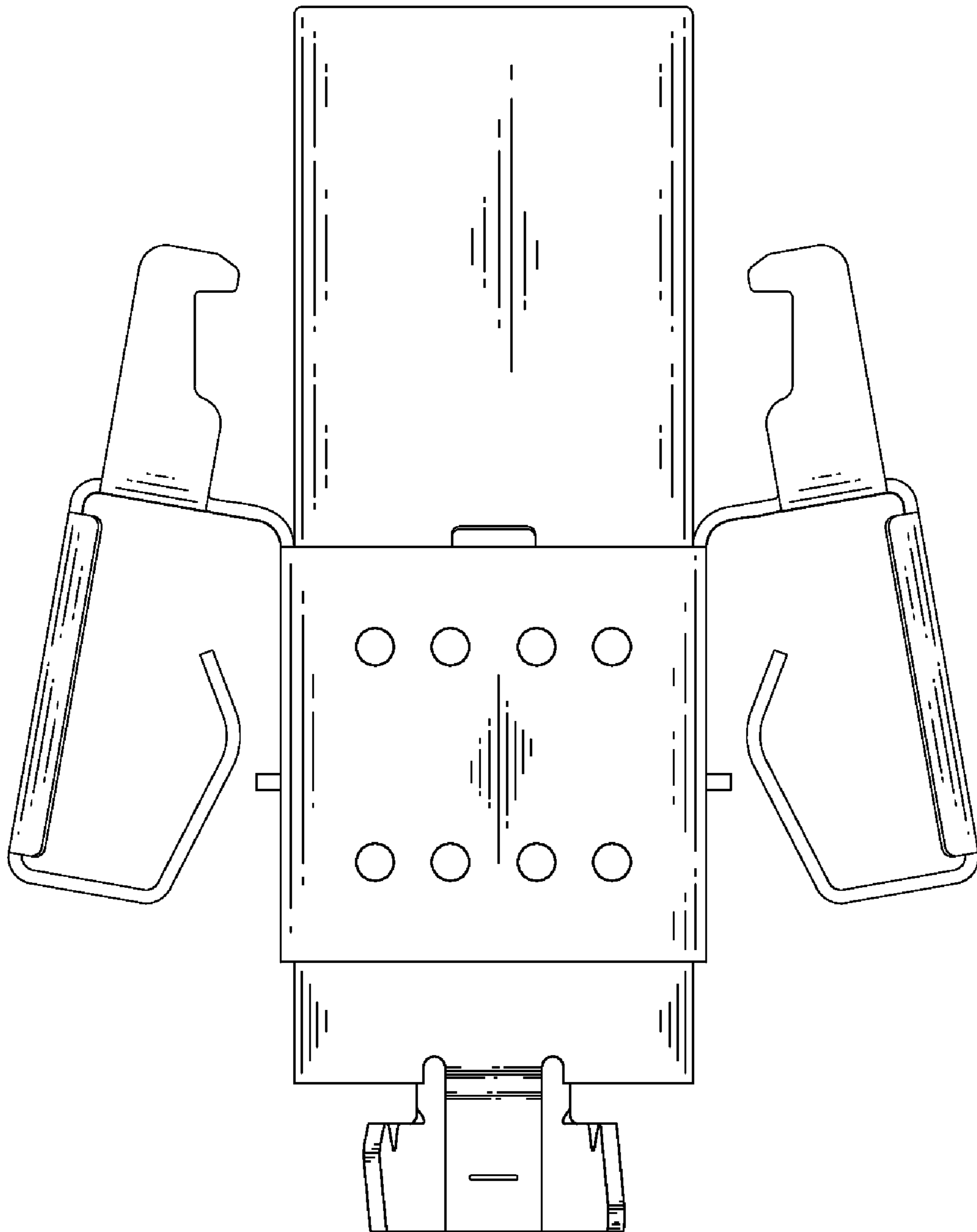


FIG. 7