



US00D620438S

(12) **United States Design Patent**  
**Lewis et al.**

(10) **Patent No.:** **US D620,438 S**  
(45) **Date of Patent:** **\*\* Jul. 27, 2010**

(54) **MOTOR SWITCH LEVER**

D571,826 S \* 6/2008 Tanaka et al. .... D15/17

(75) Inventors: **William R. Lewis**, Hazelwood, MO (US); **Philip S. Johnson**, Granite City, IL (US); **Marshall J. Huggins**, Kirkwood, MO (US); **Joe E. Tomlinson**, Jonesboro, AR (US); **Prashant Jagdale**, Maharashtra (IN)

(73) Assignee: **Emerson Electric Co.**, St. Louis, MO (US)

(\*\*) Term: **14 Years**

(21) Appl. No.: **29/345,503**

(22) Filed: **Oct. 16, 2009**

(51) **LOC (9) Cl.** ..... **13-01**

(52) **U.S. Cl.** ..... **D13/122; D8/308**

(58) **Field of Classification Search** ..... D13/122, D13/112, 113, 114, 118, 154, 199; D8/88, D8/300, 308, 309, 311, 312, 320, 341, 343; D12/179; D15/5, 28; 74/469, 470, 473.12, 74/473.25, 485, 488, 490.14, 532; 292/199, 292/200, 201, 236

See application file for complete search history.

(56) **References Cited**

**U.S. PATENT DOCUMENTS**

D268,644 S *	4/1983	Miller	.....	D8/343
D290,831 S *	7/1987	Juy	.....	D12/179
D315,720 S *	3/1991	Freehauf	.....	D13/154
5,441,315 A *	8/1995	Kleefeldt et al.	.....	292/201
6,167,776 B1 *	1/2001	Cossette	.....	74/488
D519,123 S *	4/2006	Elliott	.....	D15/5
D530,722 S *	10/2006	Maeda et al.	.....	D15/5
D534,846 S *	1/2007	Mabuchi	.....	D12/179
D553,060 S *	10/2007	Caiazza	.....	D12/179

**OTHER PUBLICATIONS**

Solid Surface Drawings Depecting Prior Art Motor Switch Lever.  
Line Drawings Depicting Prior Art Motor Switch Lever.

\* cited by examiner

*Primary Examiner*—Prabhakar Deshmukh

*Assistant Examiner*—Derrick Holland

(74) *Attorney, Agent, or Firm*—Hovey Williams LLP

(57) **CLAIM**

The ornamental design for a motor switch lever, as shown and described.

**DESCRIPTION**

FIG. 1 is a perspective view of a motor switch lever showing our new design;

FIG. 2 is another perspective view thereof, opposite that of FIG. 1;

FIG. 3 is another perspective view thereof, taken from a different angle than FIG. 1;

FIG. 4 is a front elevation thereof;

FIG. 5 is a rear elevation view thereof;

FIG. 6 is a top plan view thereof;

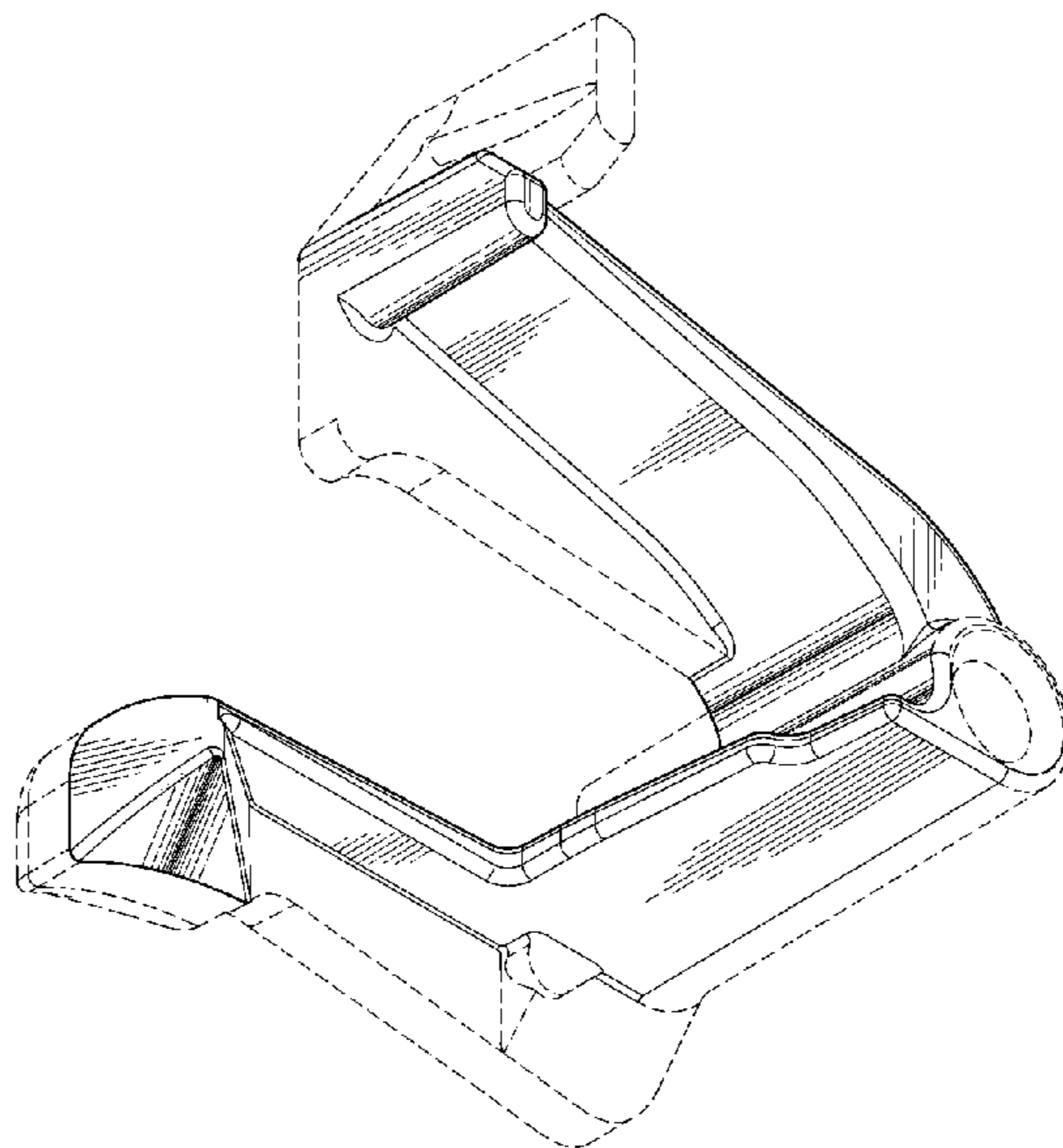
FIG. 7 is a bottom plan view thereof;

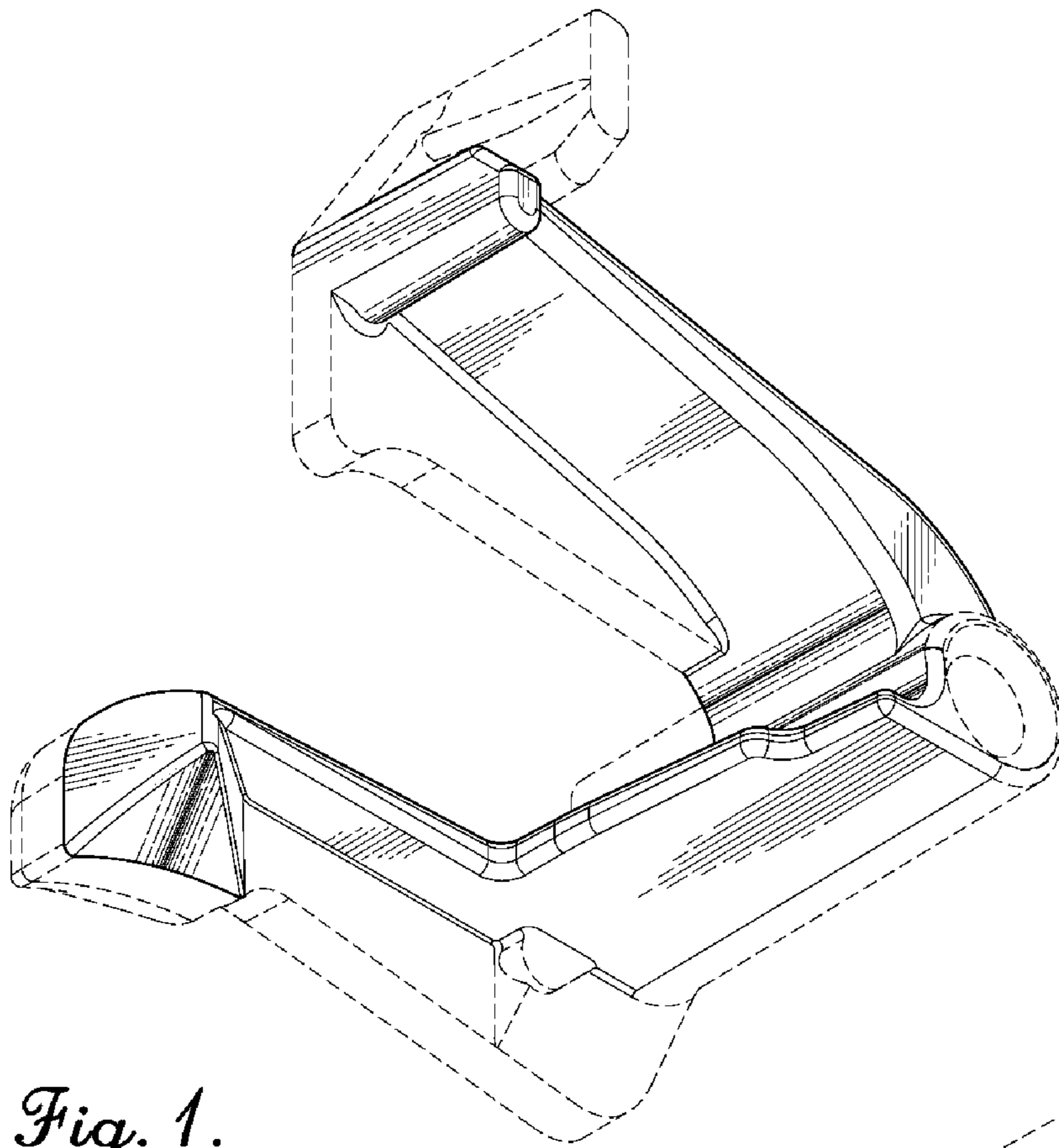
FIG. 8 is a side elevation view thereof; and,

FIG. 9 is another side elevation view thereof, opposite that of FIG. 8.

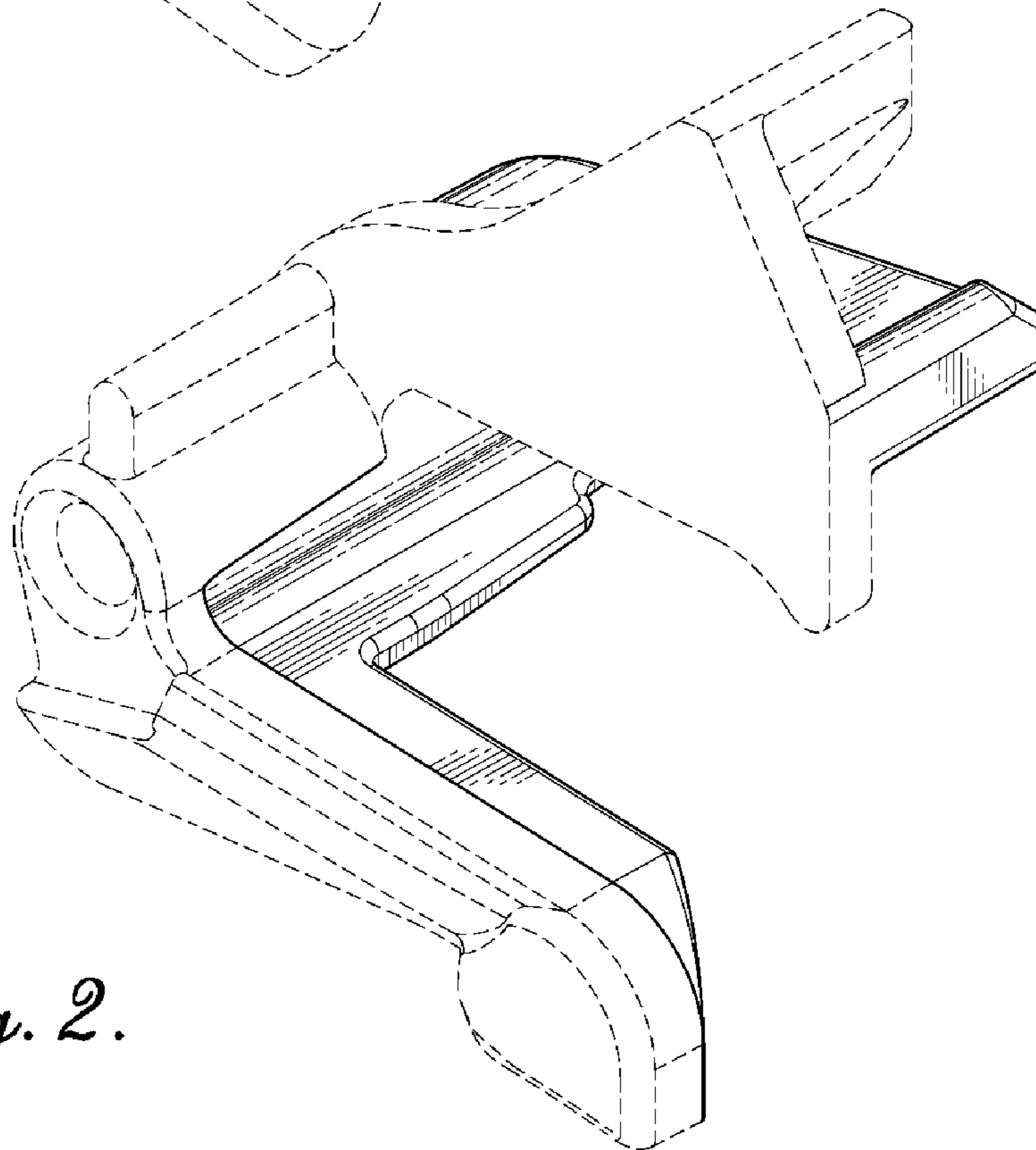
The broken lines shown represent unclaimed subject matter and form no part of the claim. Where broken lines abut a claimed surface it is understood that those broken lines represent an unclaimed boundary between claimed and unclaimed surfaces. None of the broken lines form any part of the claimed design.

**1 Claim, 5 Drawing Sheets**

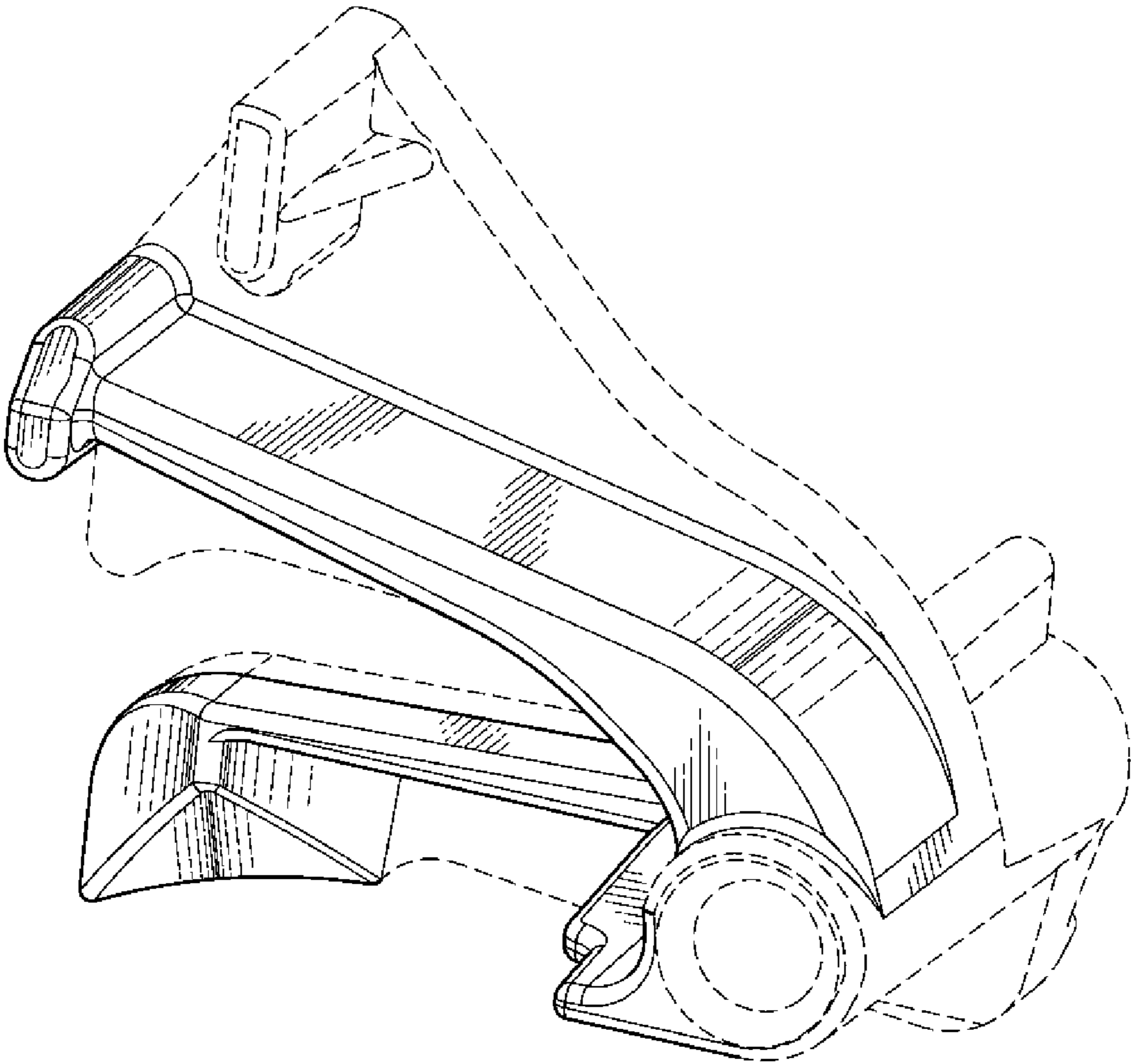




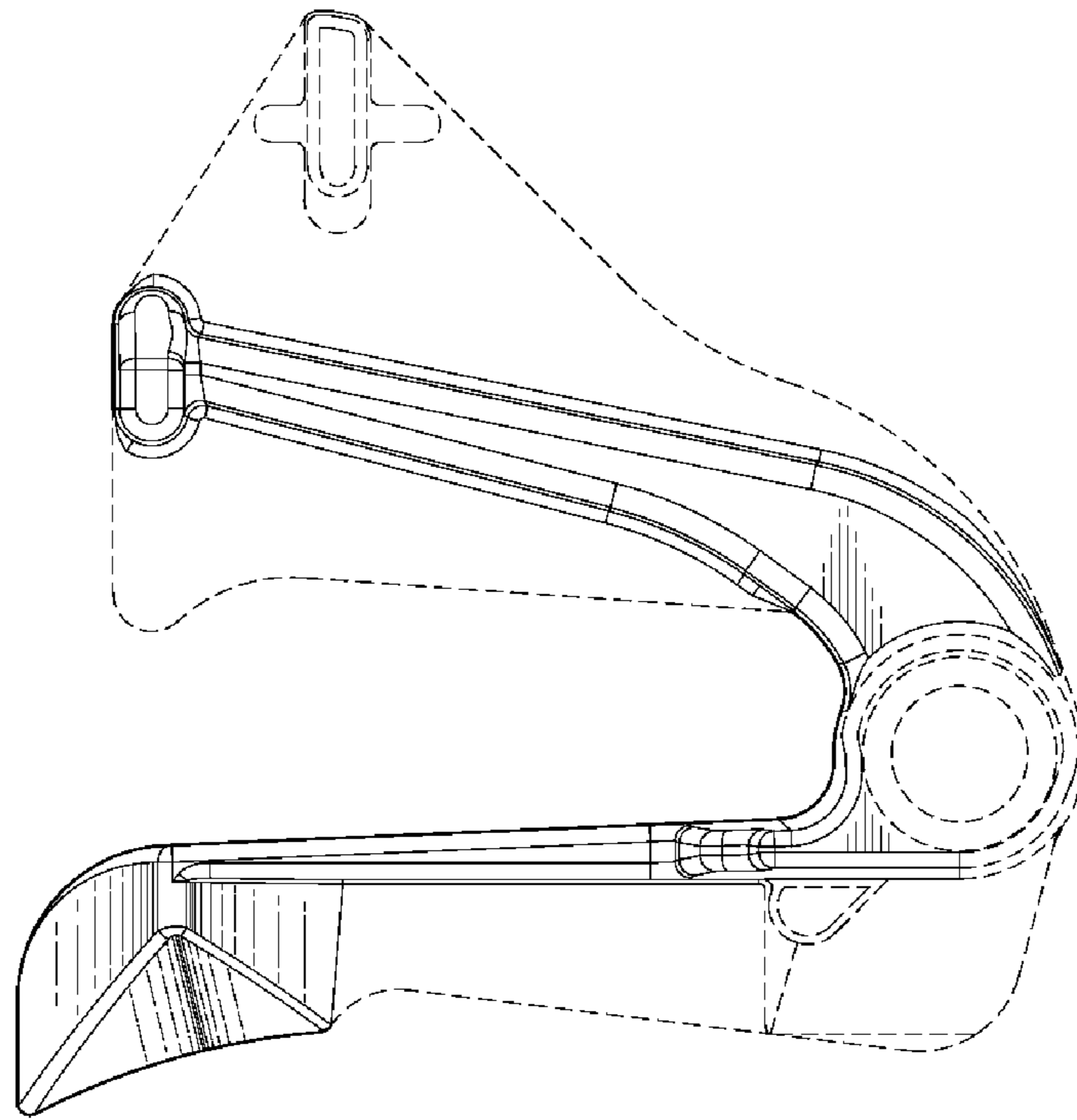
*Fig. 1.*



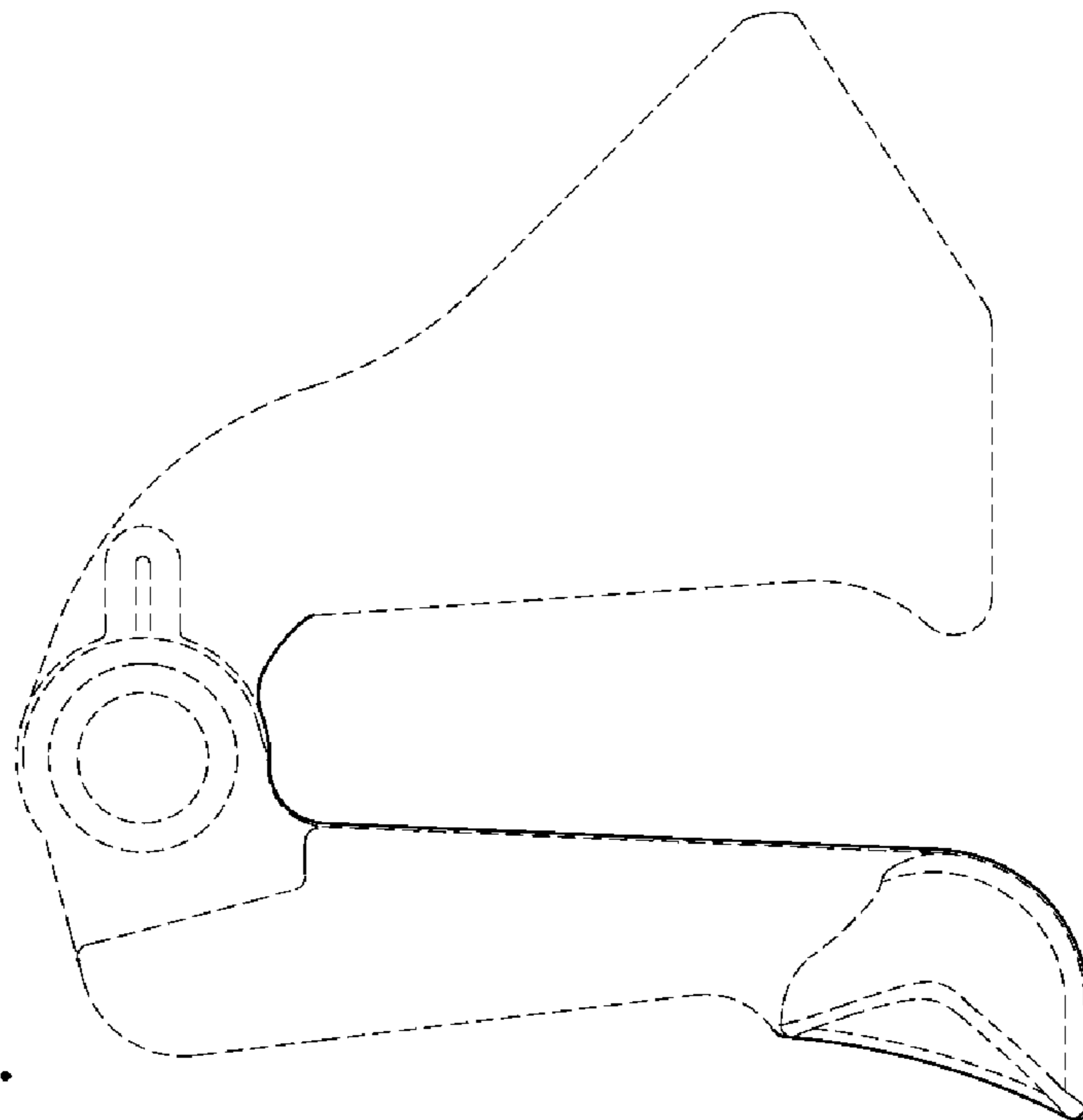
*Fig. 2.*



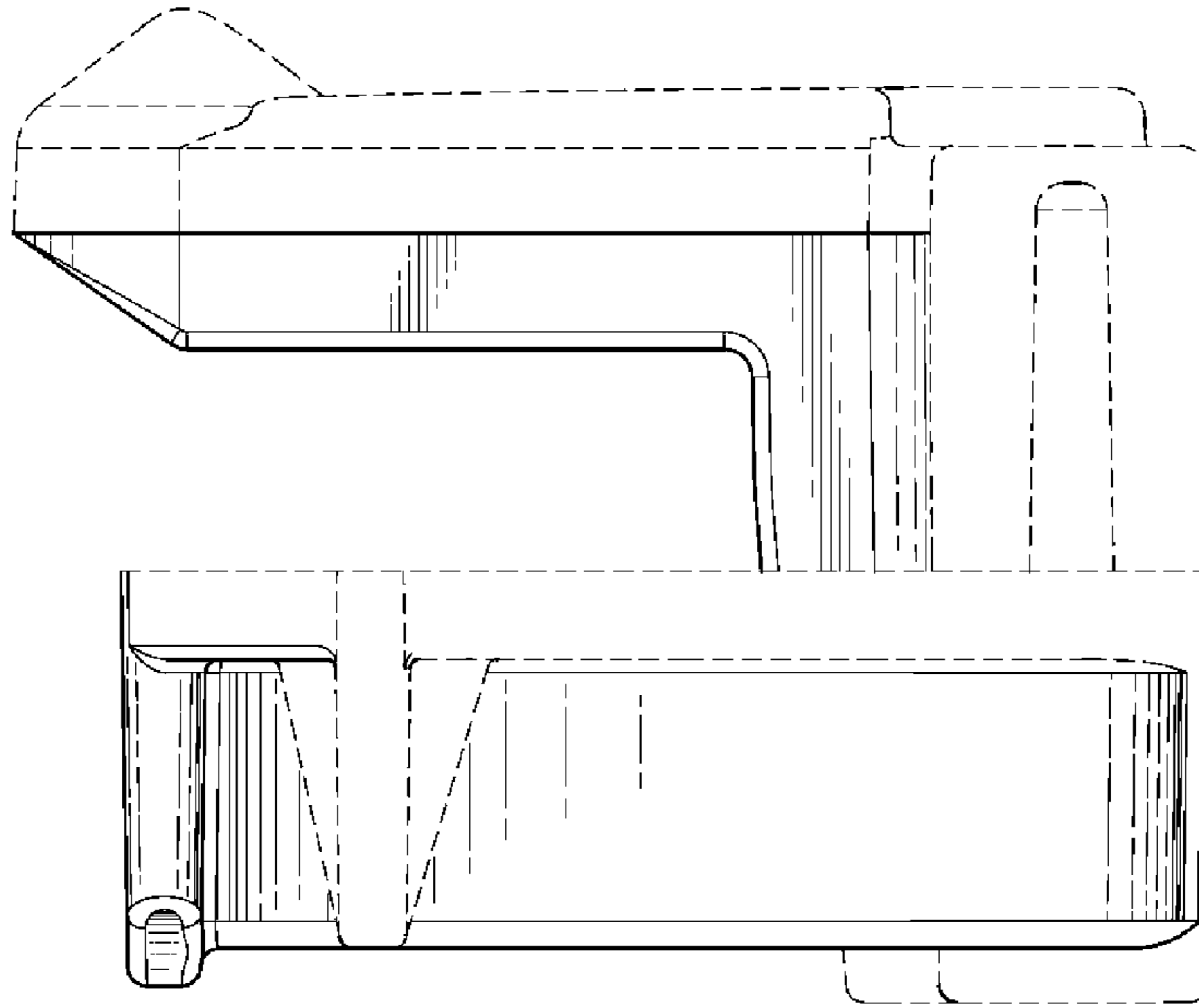
*Fig. 3.*



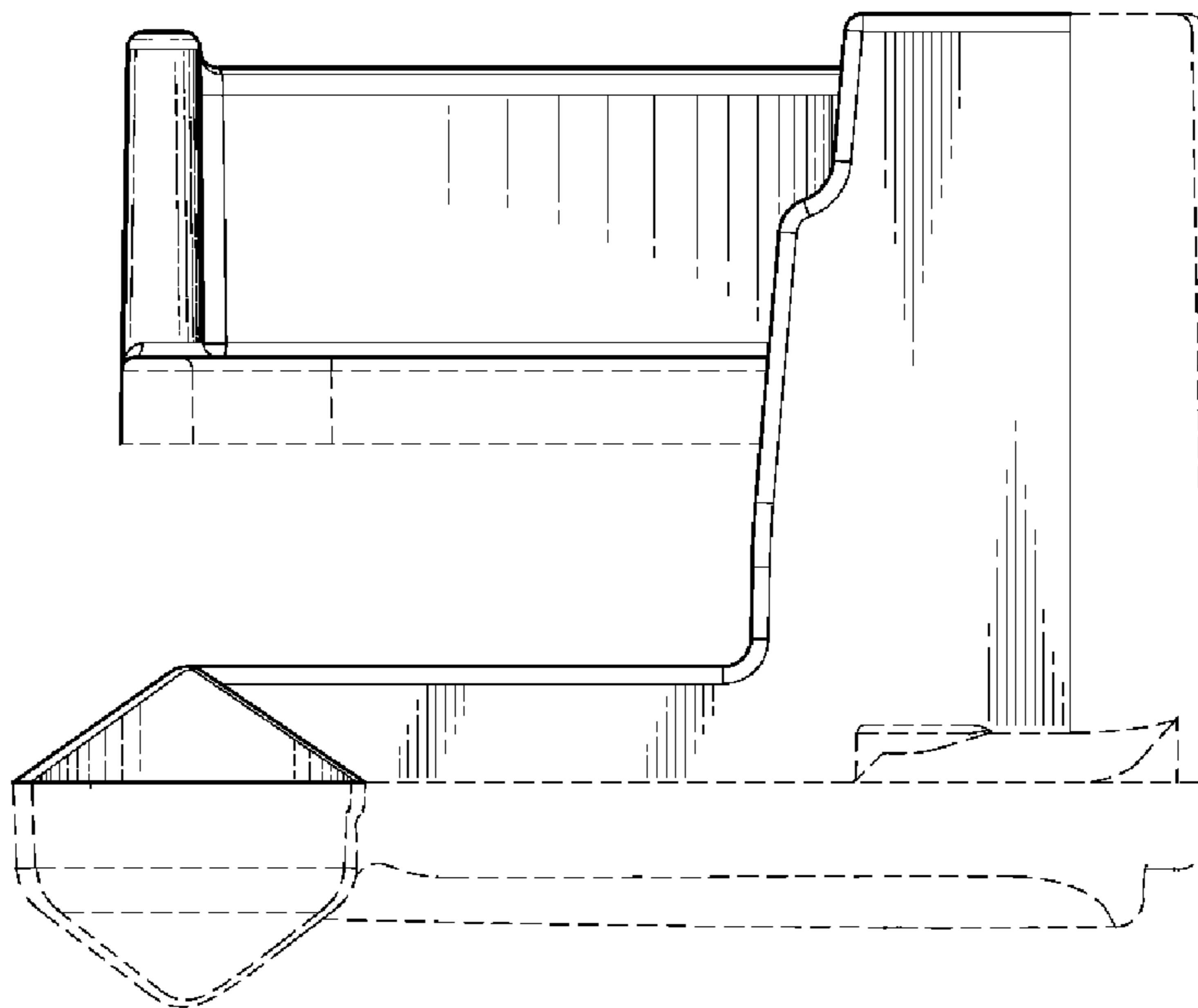
*Fig. 4.*



*Fig. 5.*

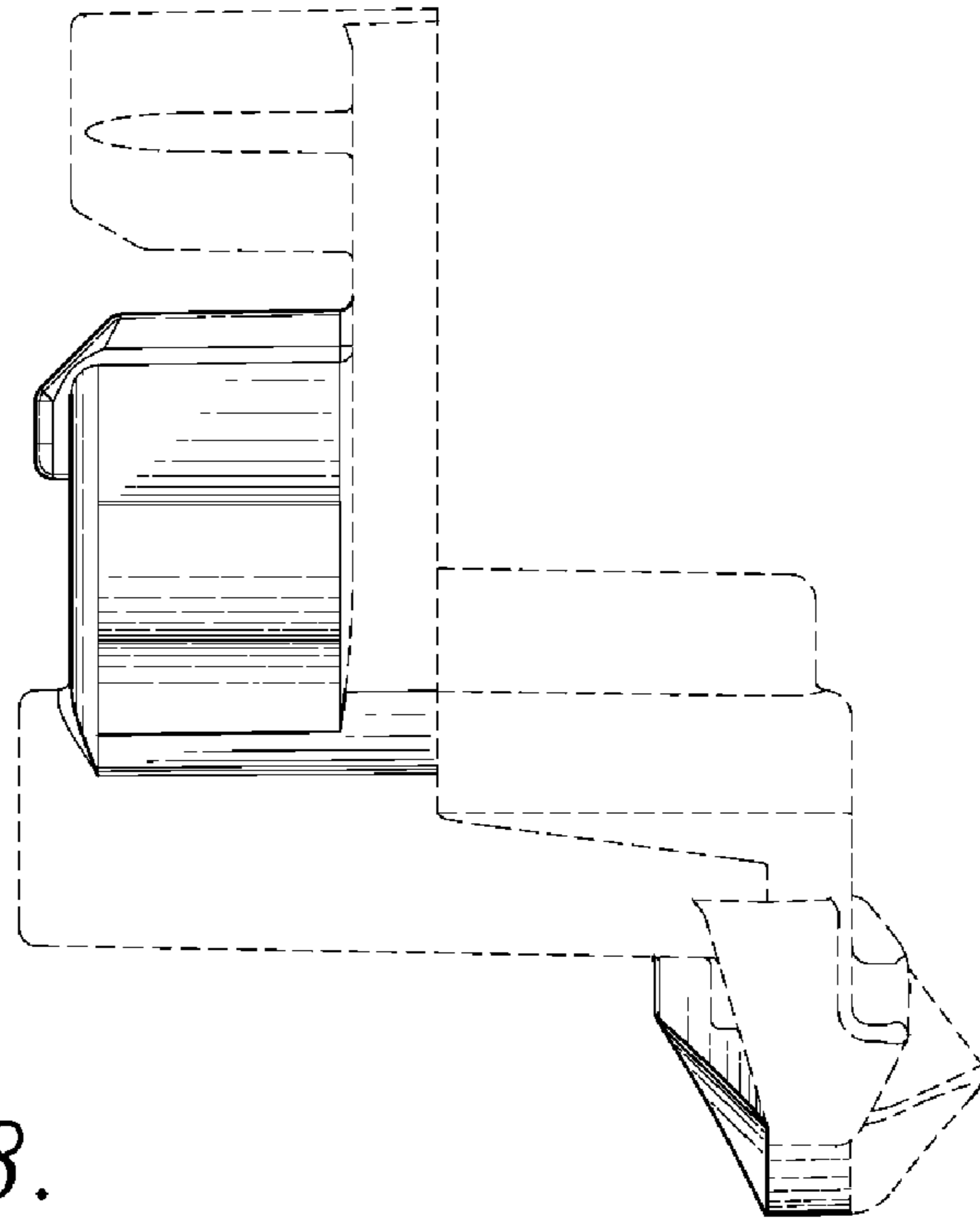


*Fig. 6.*

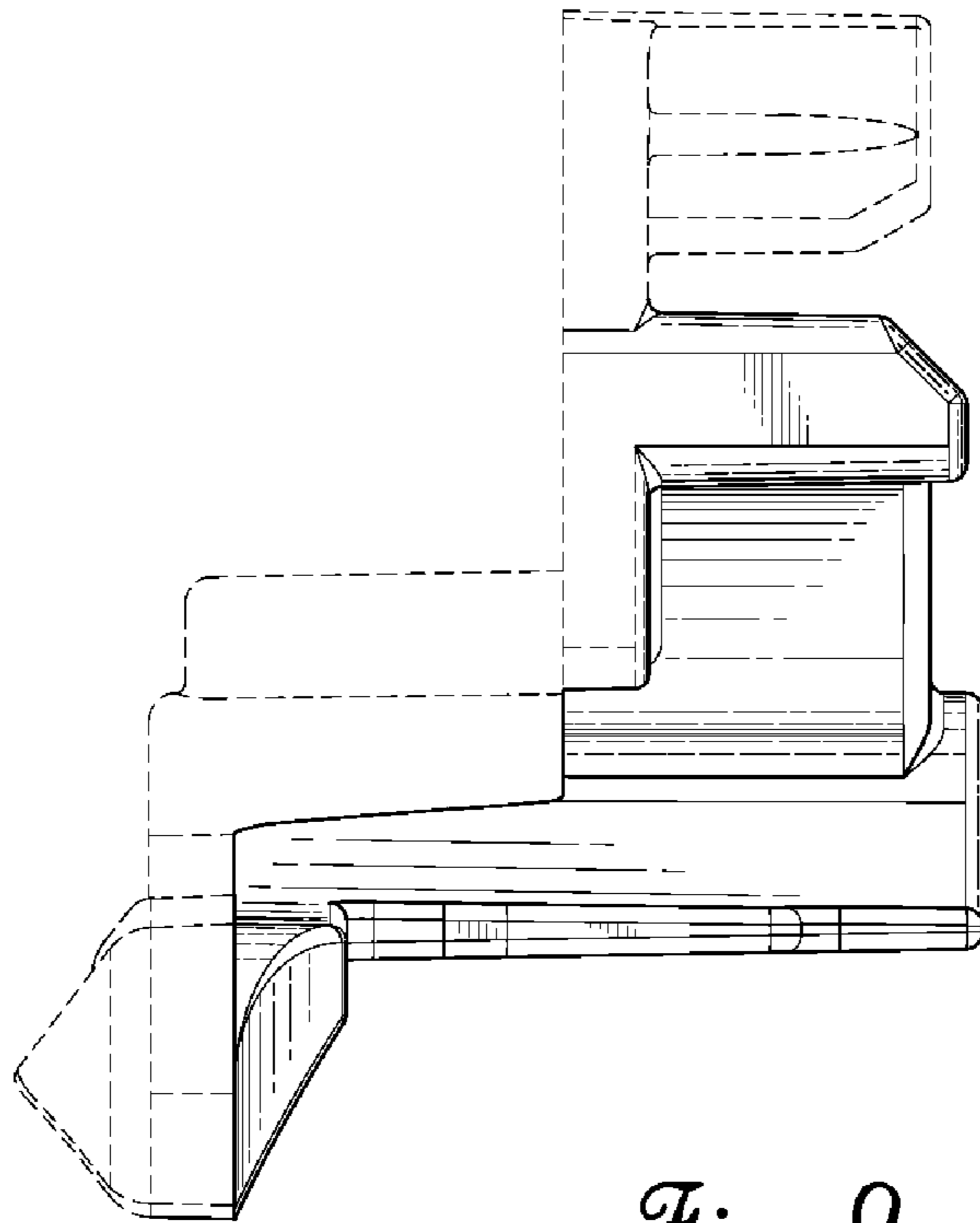


*Fig. 7.*





*Fig. 8.*



*Fig. 9.*