



US00D620436S

(12) **United States Design Patent**
Pan et al.

(10) **Patent No.:** **US D620,436 S**
(45) **Date of Patent:** **** Jul. 27, 2010**

(54) **CONTROL PANEL FOR AN ENGINE OPERATED GENERATOR**

(75) Inventors: **Zhigang Pan**, Chongqing (CN);
Lingling Sun, Chongqing (CN); **Fei He**,
Chongqing (CN)

(73) Assignee: **Loncin Industry Co., Ltd.**, Chongqing (CN)

(**) Term: **14 Years**

(21) Appl. No.: **29/336,704**

(22) Filed: **May 7, 2009**

(30) **Foreign Application Priority Data**

Nov. 10, 2008 (CN) 2008 3 0301864

(51) **LOC (9) Cl.** **13-01**

(52) **U.S. Cl.** **D13/122**

(58) **Field of Classification Search** D13/122,
D13/112, 114, 118, 158, 162, 164, 177, 184,
D13/199; D10/40, 103

See application file for complete search history.

(56) **References Cited**

U.S. PATENT DOCUMENTS

D187,221 S * 2/1960 Huey et al. D10/103
D342,683 S * 12/1993 Cohen D10/40
D416,537 S * 11/1999 Imai et al. D13/116

D416,544 S * 11/1999 Jordan D13/162
6,362,533 B1 * 3/2002 Morohoshi et al. 290/1 A
D489,327 S * 5/2004 Imai D13/116
D491,524 S * 6/2004 Imai D13/122
D546,770 S * 7/2007 Herbstritt D13/162

* cited by examiner

Primary Examiner—Prabhakar Deshmukh

Assistant Examiner—Derrick Holland

(74) *Attorney, Agent, or Firm*—Vincent K. Gustaf;
Intellectual Prope / Technology Law

(57) **CLAIM**

The ornamental design for a control panel for an engine operated generator, as shown and described.

DESCRIPTION

FIG. 1 is a perspective view of a control panel for an engine operated generator showing our new design;

FIG. 2 is a front elevation view thereof;

FIG. 3 is a rear elevation view thereof;

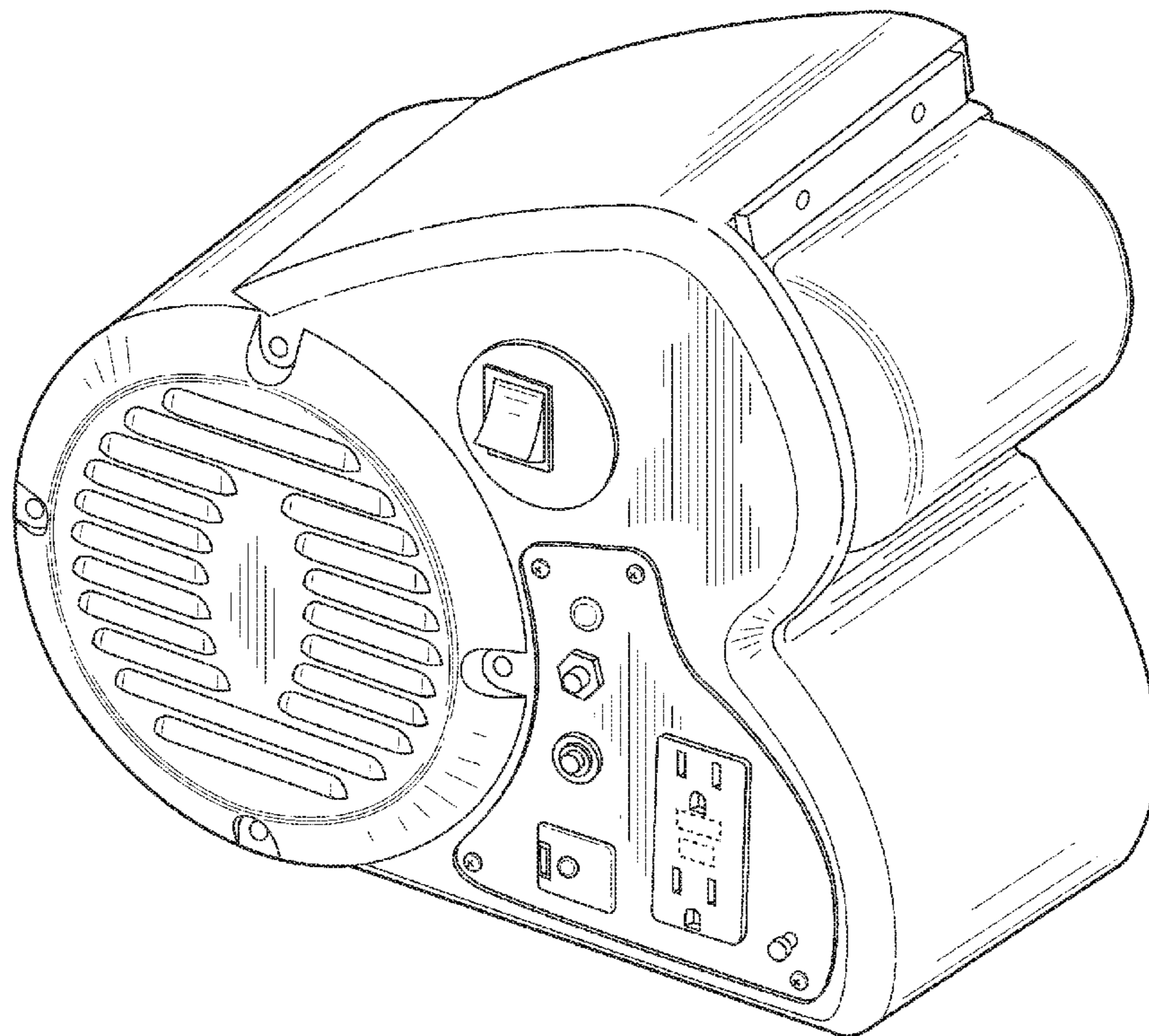
FIG. 4 is a right side elevation view thereof;

FIG. 5 is a left side elevation view thereof; and,

FIG. 6 is a top plan view thereof.

The broken lines shown are for the purpose of illustrating environmental features and form no part of the claimed design.

1 Claim, 6 Drawing Sheets



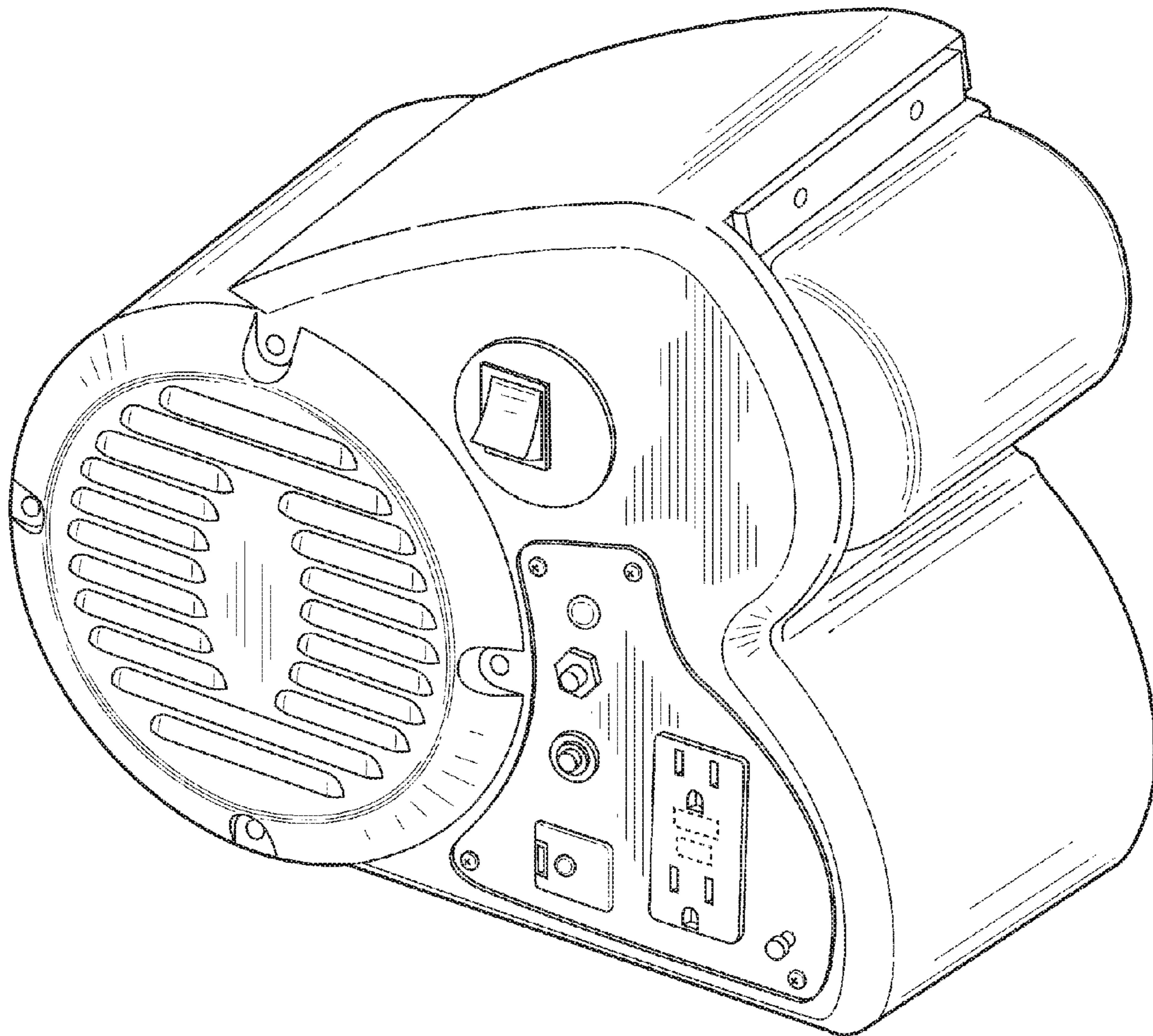


FIG. 1

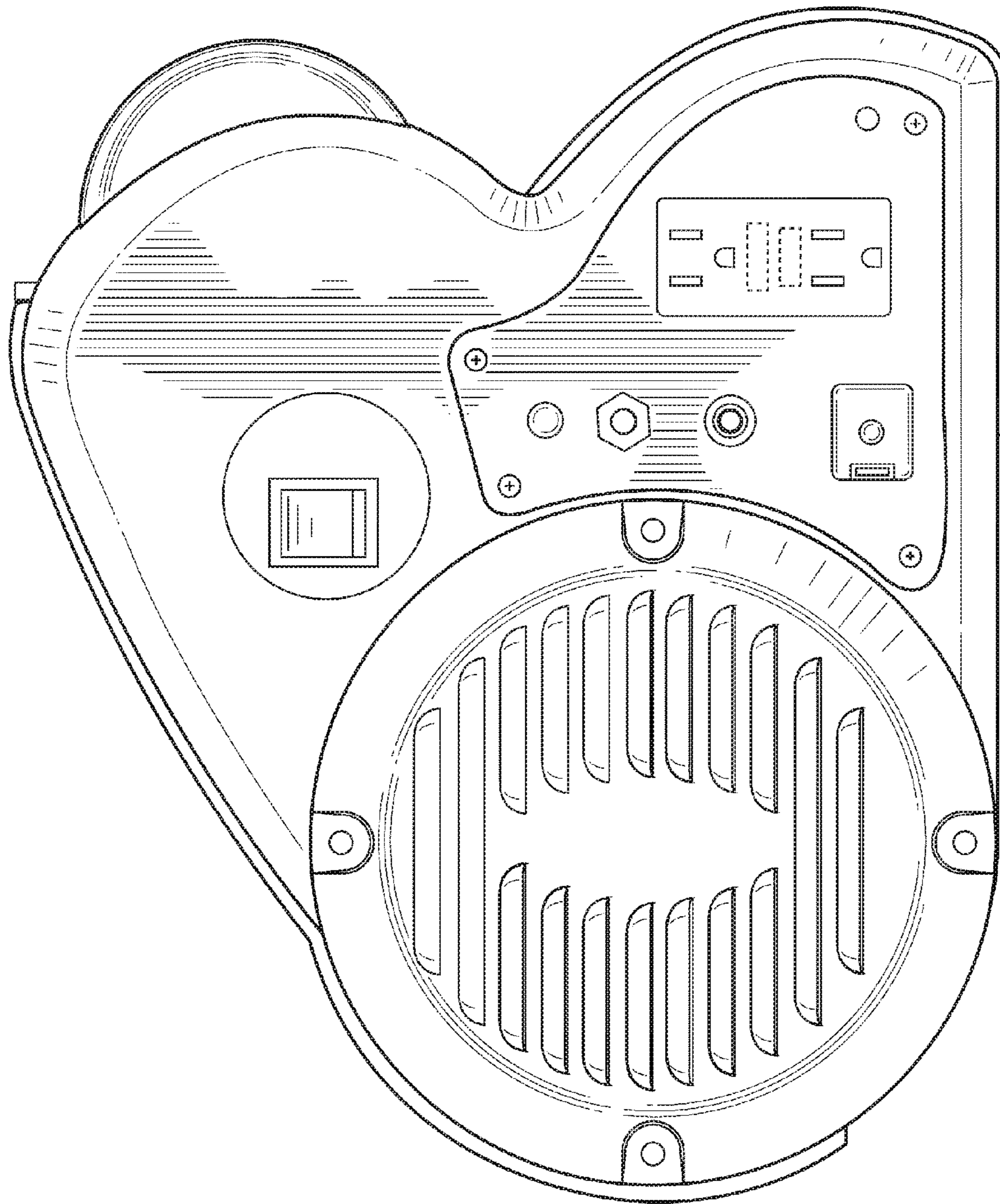


FIG. 2

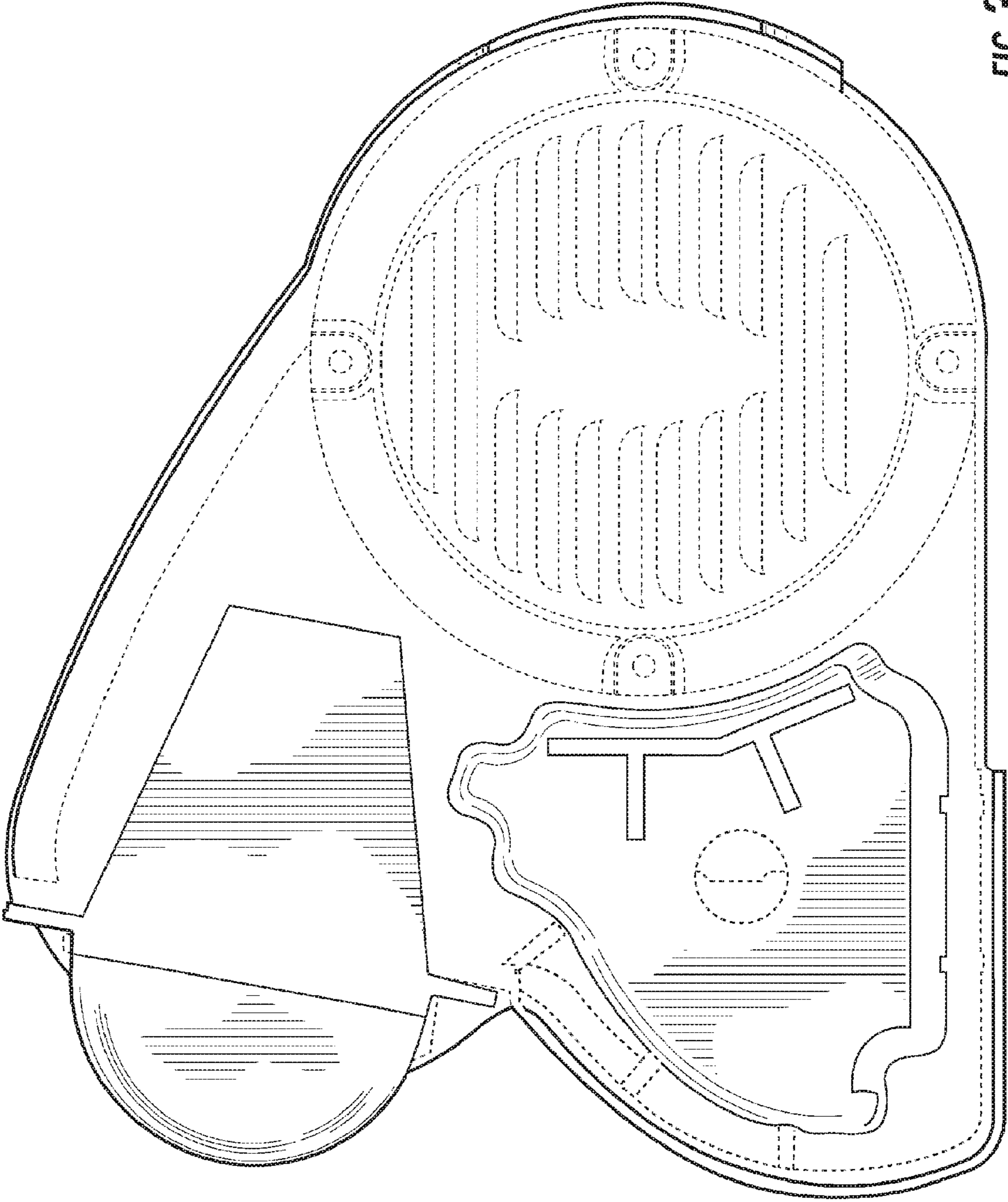


FIG. 3

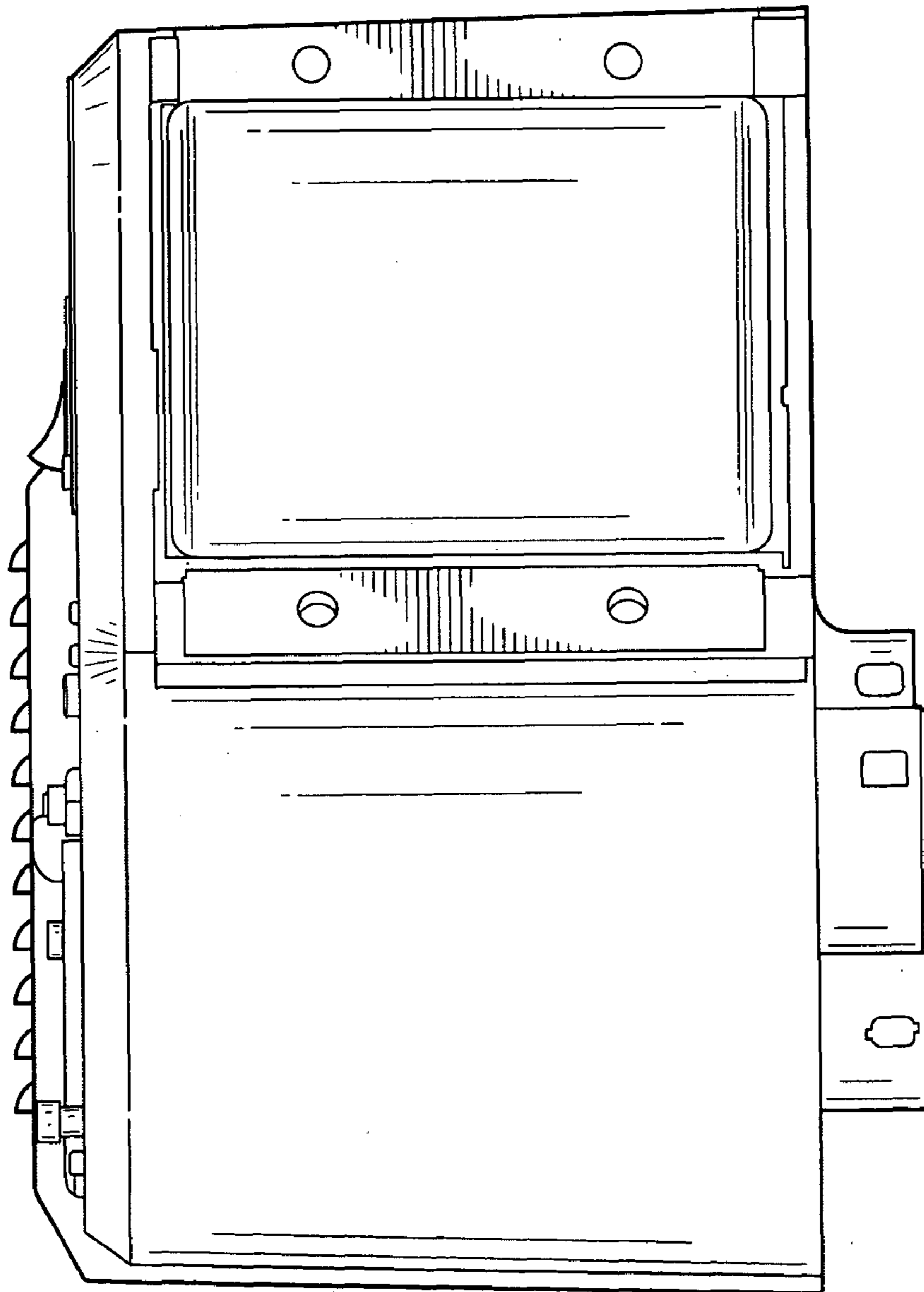


FIG. 4

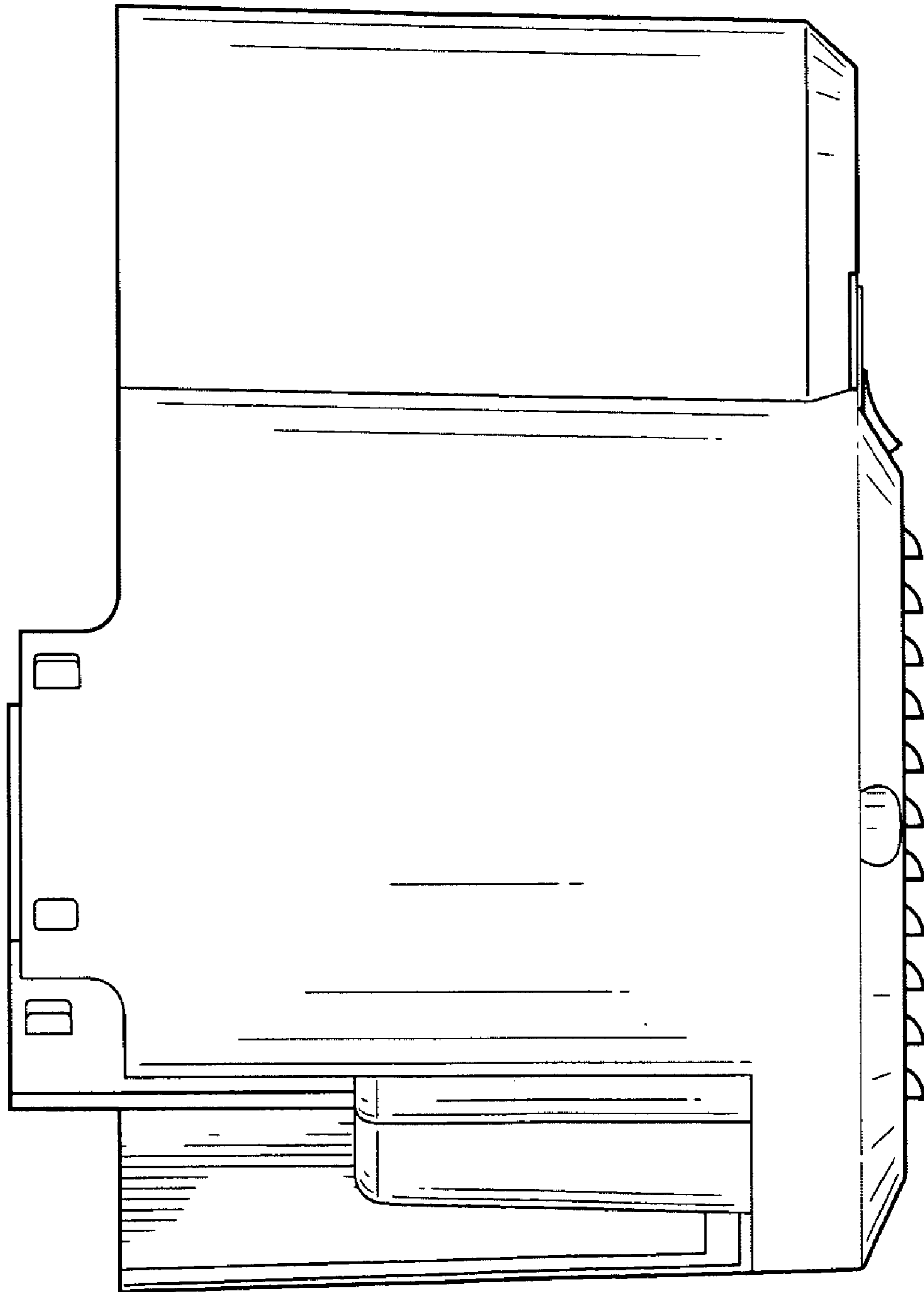


FIG. 5

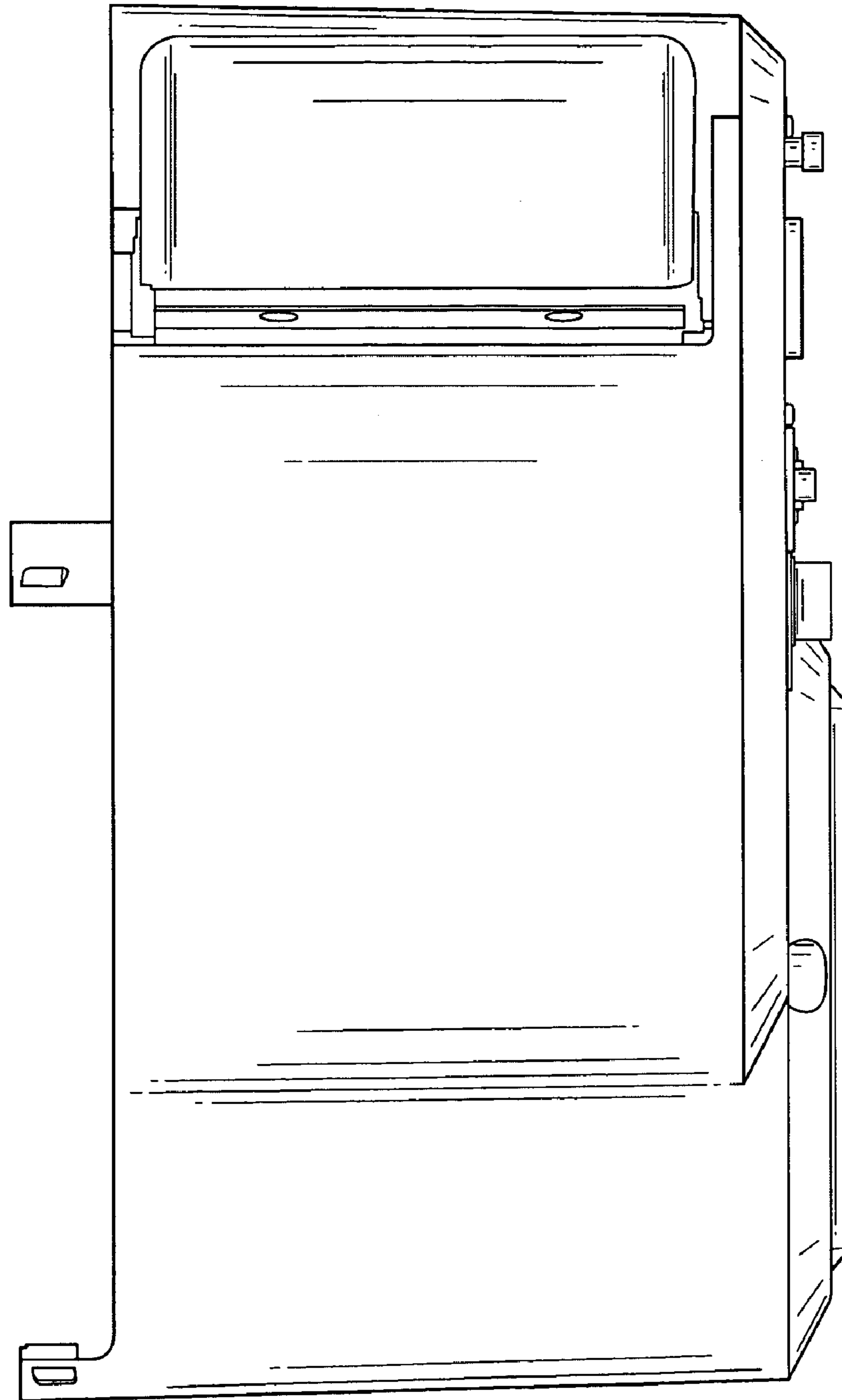


FIG. 6