



US00D620433S

(12) **United States Design Patent**
Liu et al.

(10) **Patent No.:** **US D620,433 S**
(45) **Date of Patent:** **** Jul. 27, 2010**

(54) **BATTERY CONNECTOR**

(75) Inventors: **Yun-Xiang Liu**, Guang-Dong (CN);
Bing-Tao Yang, Guang-Dong (CN);
Yin-Lung Wu, Tu-Cheng (TW);
Ming-Chiang Chen, Tu-Cheng (TW)

(73) Assignee: **Cheng Uei Precision Industry Co., Ltd.**, Tu-Cheng, Taipei Hsien (TW)

(**) Term: **14 Years**

(21) Appl. No.: **29/352,165**

(22) Filed: **Dec. 17, 2009**

(51) **LOC (9) Cl.** **13-03**

(52) **U.S. Cl.** **D13/120**

(58) **Field of Classification Search** D13/118–121,
D13/133, 146–147, 184, 199; 439/83, 108,
439/166, 500, 577, 630, 660, 680, 700, 773.1,
439/862

See application file for complete search history.

(56) **References Cited**

U.S. PATENT DOCUMENTS

D529,443 S * 10/2006 Chien D13/147
D558,671 S * 1/2008 Chen D13/120
D589,893 S * 4/2009 Gao et al. D13/147

D596,575 S * 7/2009 Chen et al. D13/147
D604,250 S * 11/2009 Obikane et al. D13/147
D606,020 S * 12/2009 Yang et al. D13/120

* cited by examiner

Primary Examiner—Rosemary K Tarcza

(74) *Attorney, Agent, or Firm*—Cheng-Ju Chiang

(57) **CLAIM**

The ornamental design for a battery connector, as shown and described.

DESCRIPTION

FIG. 1 is a perspective view of a battery connector showing our new design;

FIG. 2 is a front elevational view thereof;

FIG. 3 is a rear elevational view thereof;

FIG. 4 is a left side elevational view thereof;

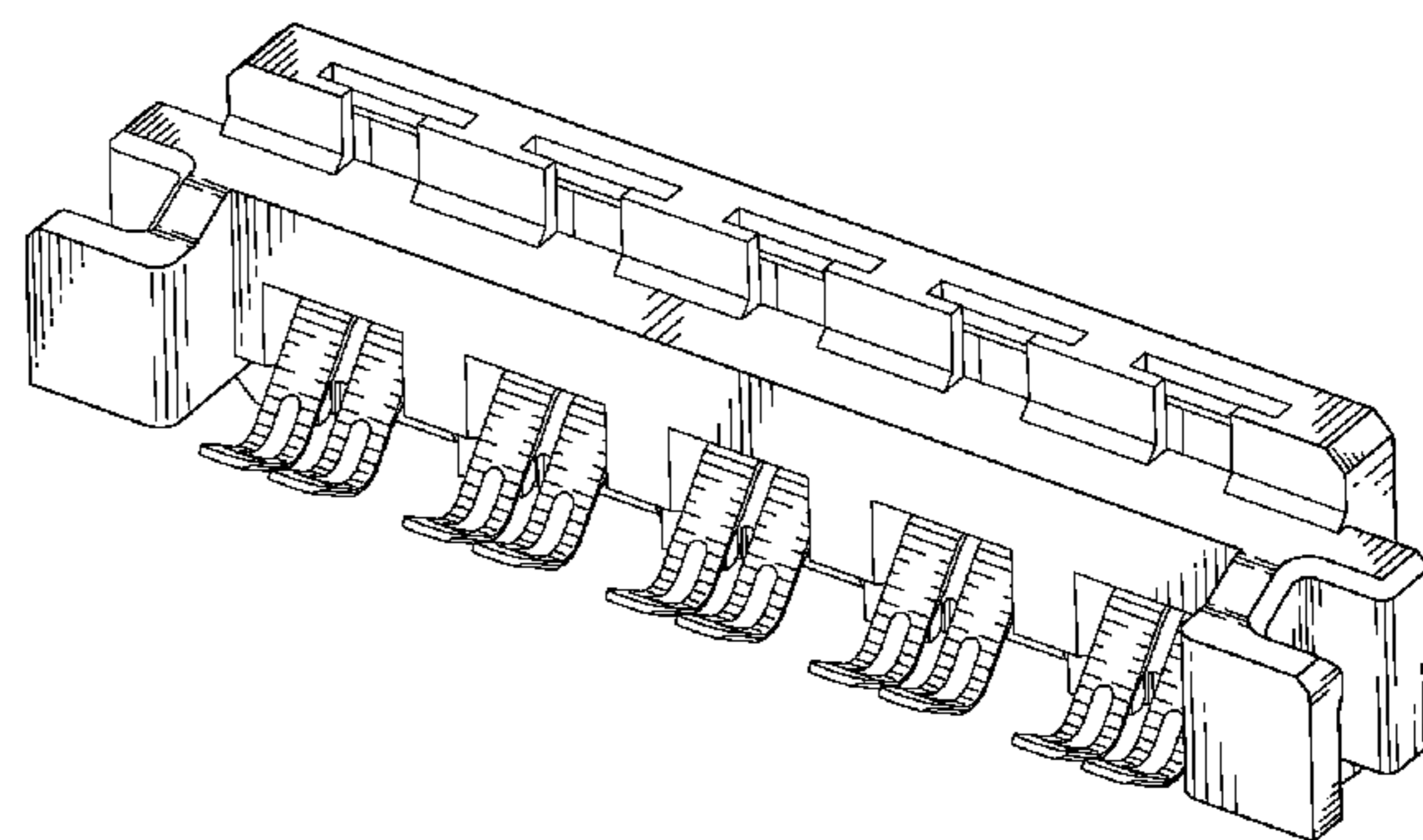
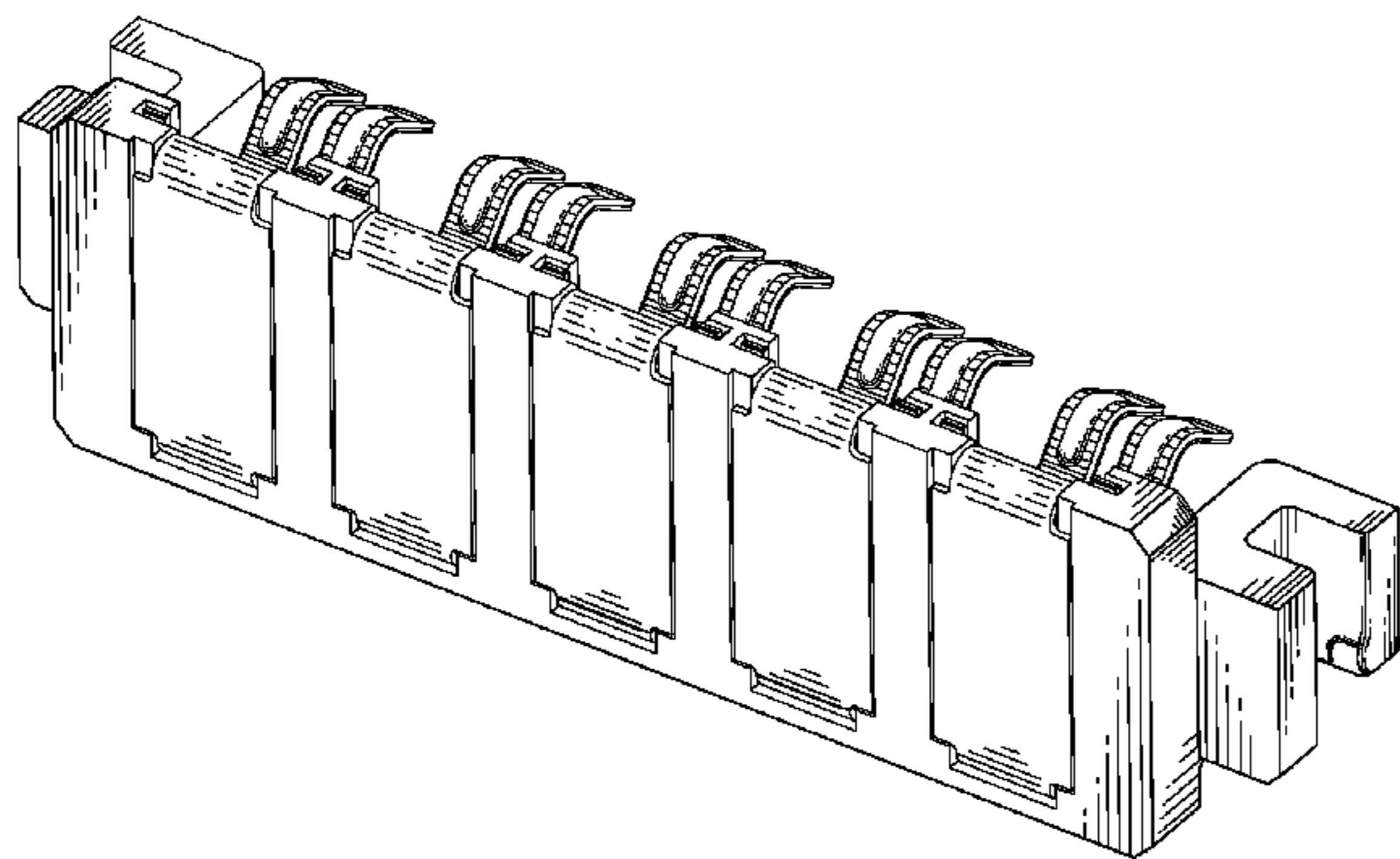
FIG. 5 is a right side elevational view thereof;

FIG. 6 is a top plan view thereof;

FIG. 7 is a bottom plan view thereof; and,

FIG. 8 is another perspective view of the battery connector showing our new design.

1 Claim, 8 Drawing Sheets



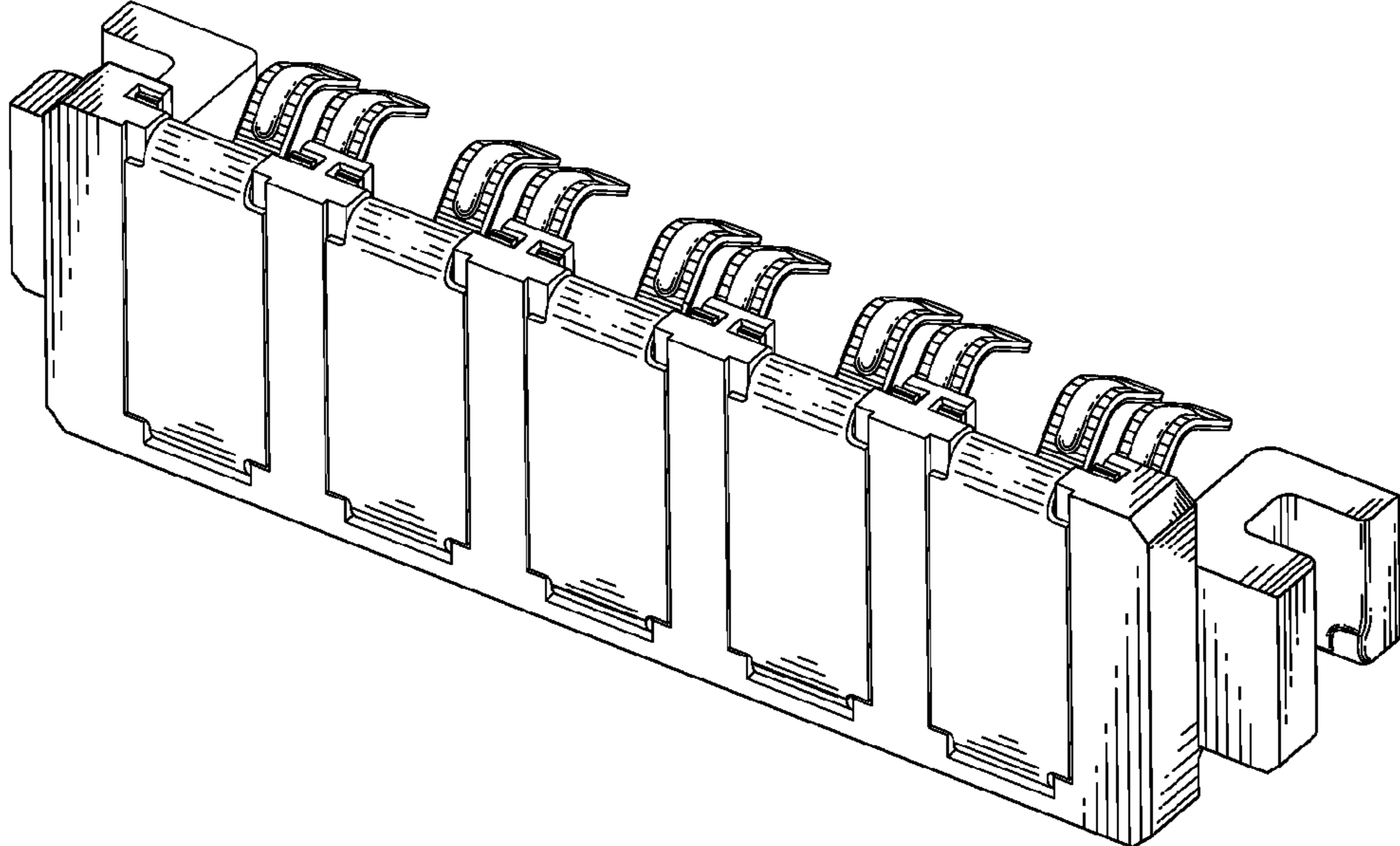


FIG. 1

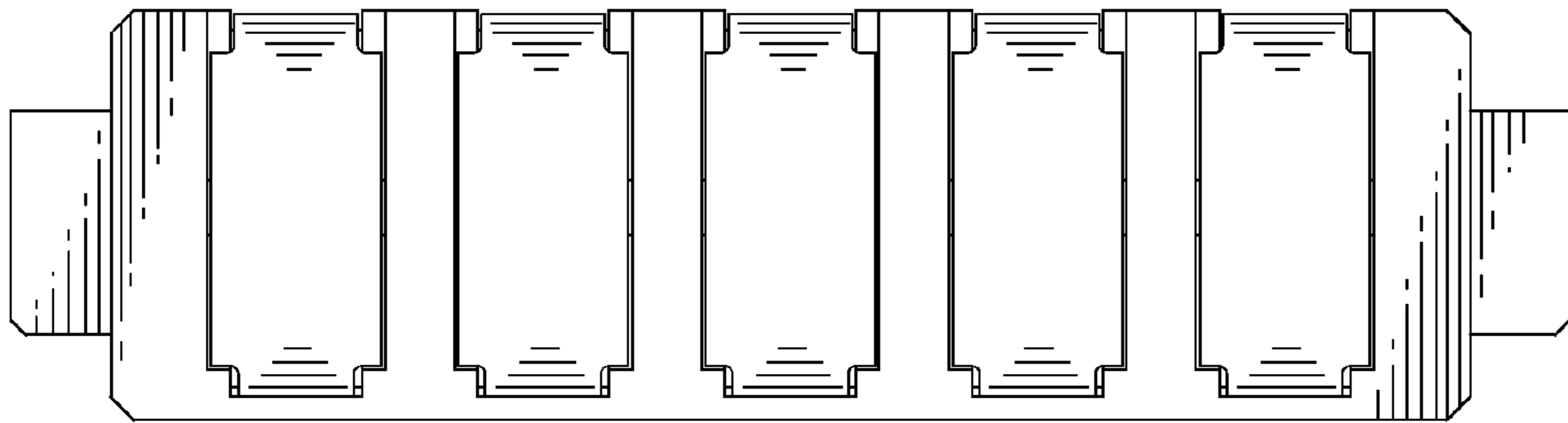


FIG. 2

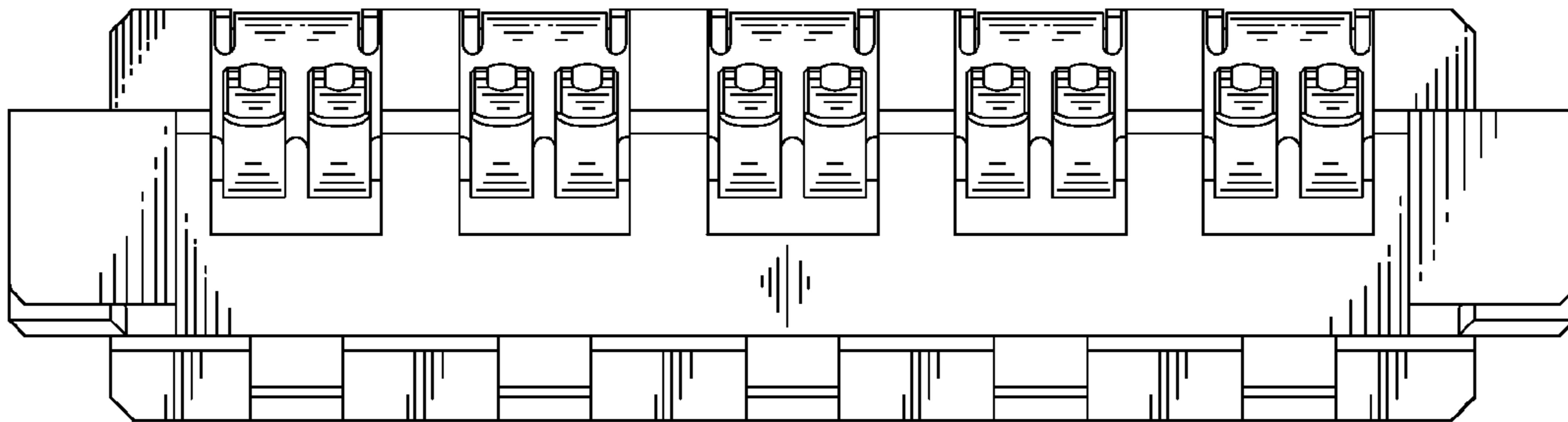


FIG. 3

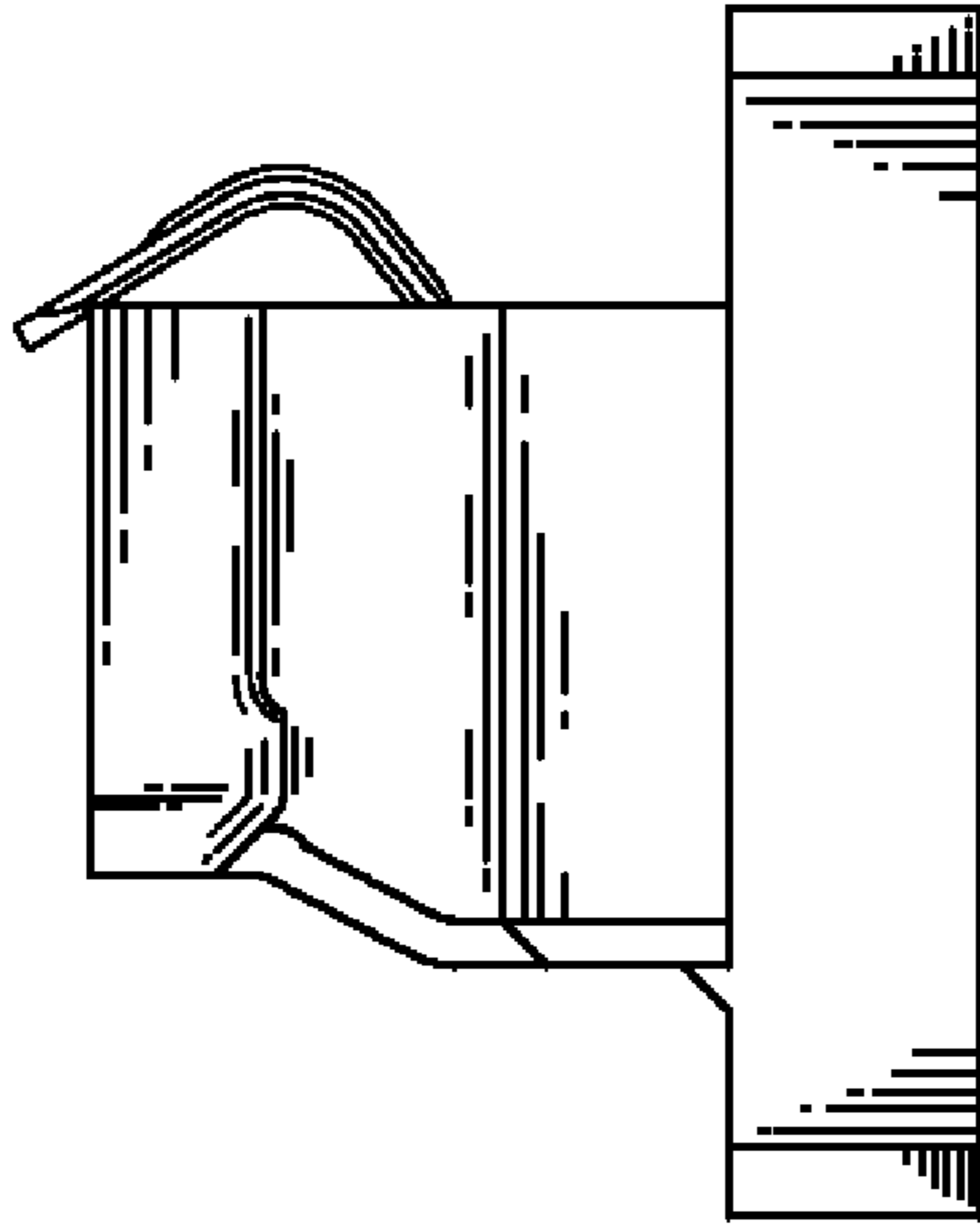


FIG. 4

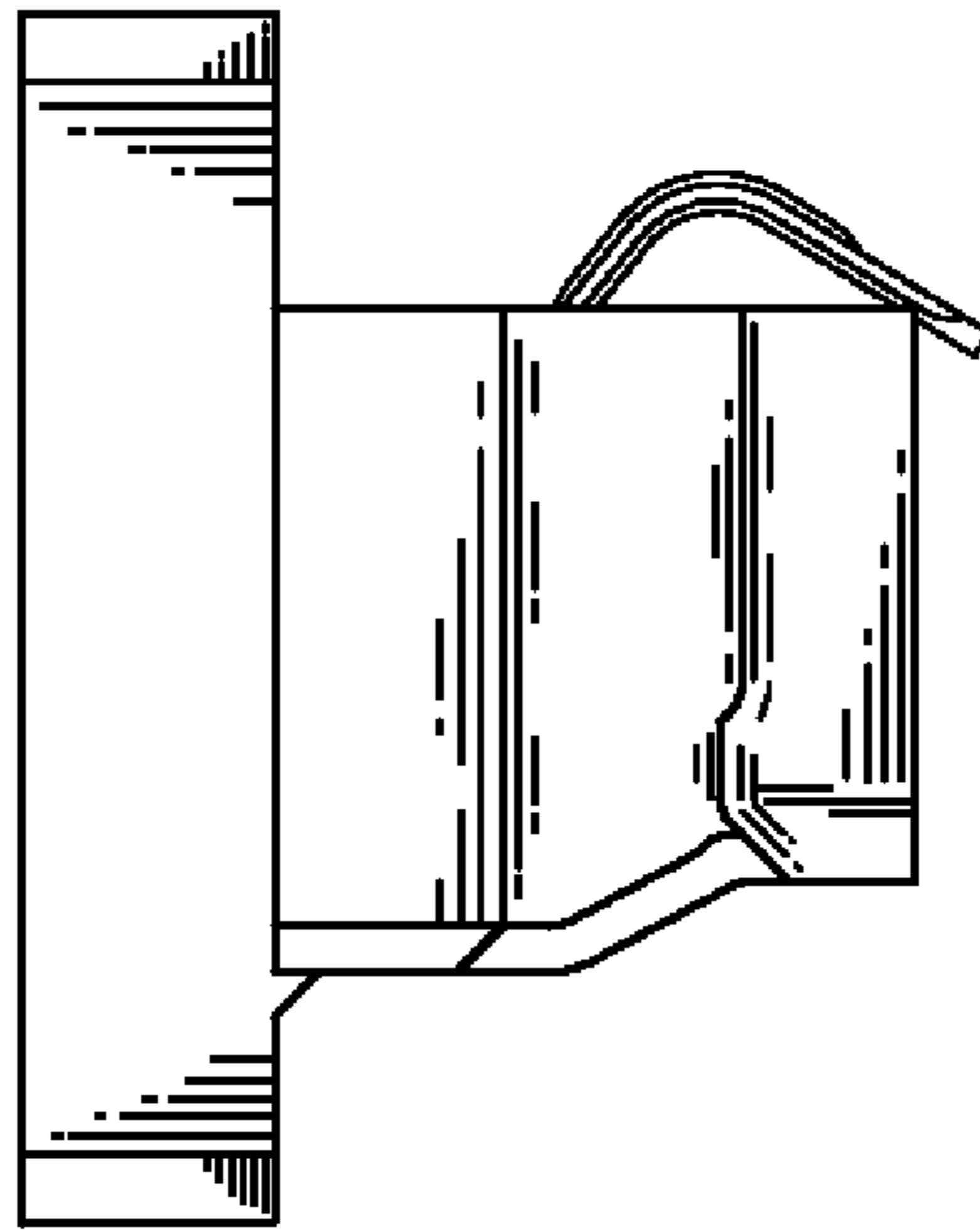


FIG. 5

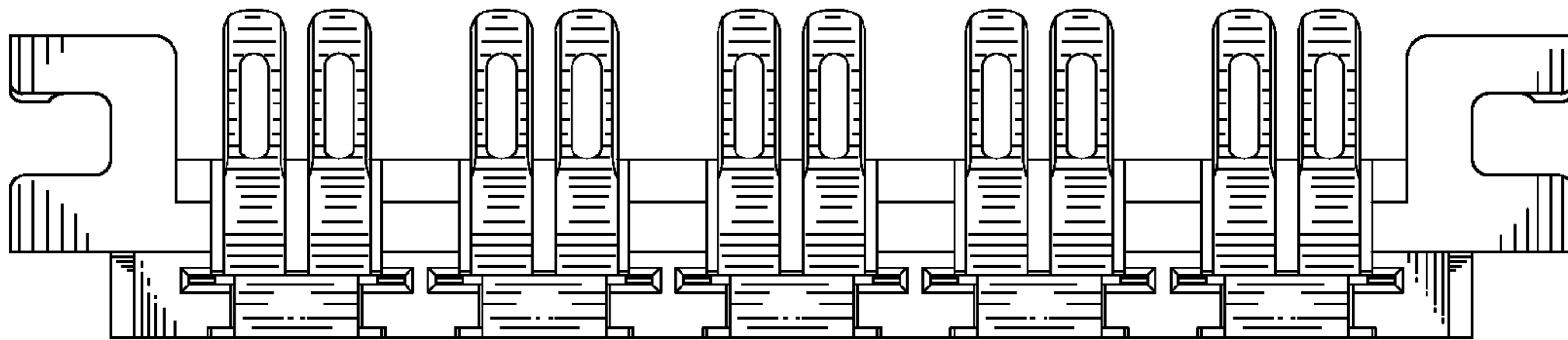


FIG. 6

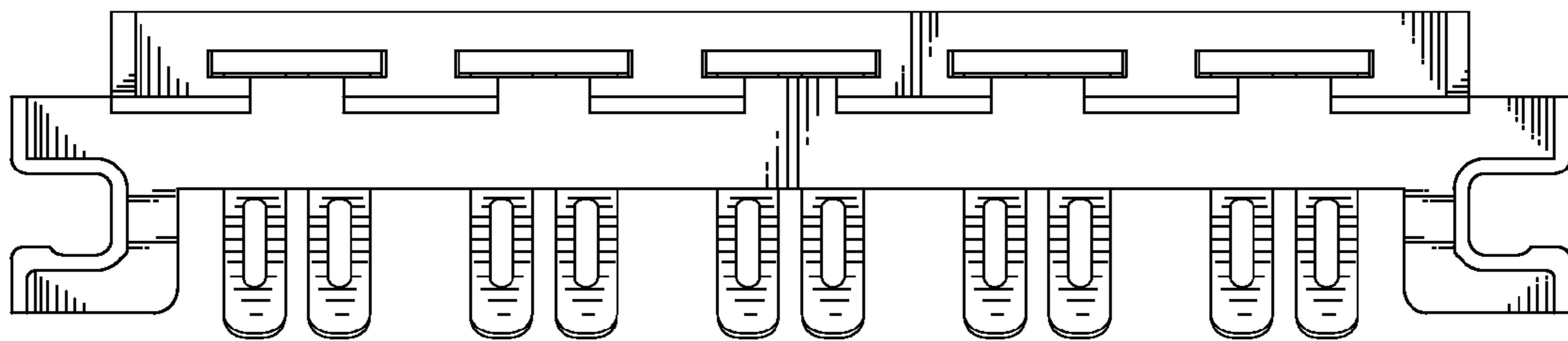


FIG. 7

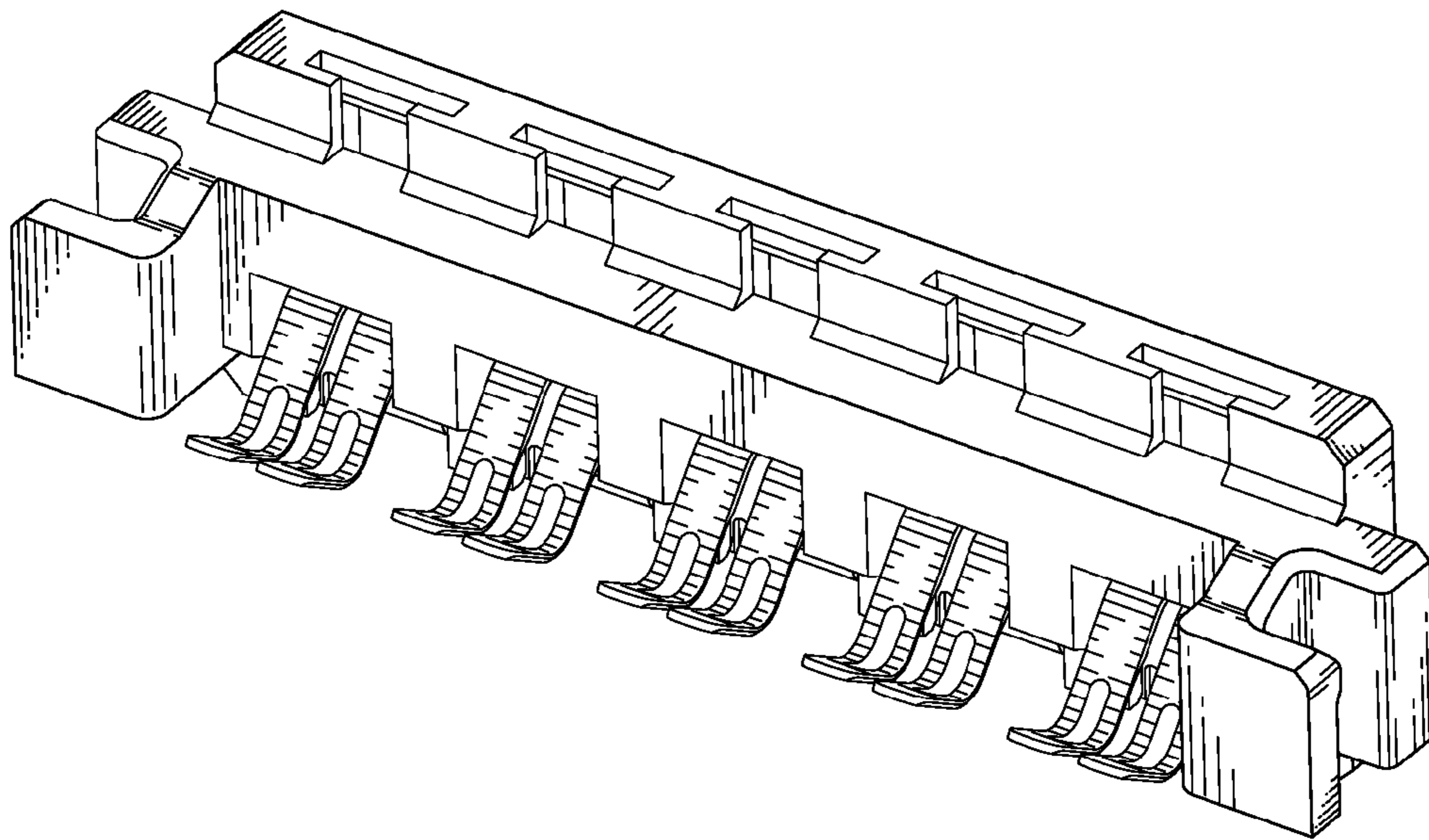


FIG. 8