



US00D620429S

(12) **United States Design Patent**
Yamaguchi

(10) **Patent No.:** **US D620,429 S**
(45) **Date of Patent:** **** Jul. 27, 2010**

(54) **TIRE TREAD**

(75) Inventor: **Suguru Yamaguchi**, Tokyo (JP)

(73) Assignee: **Bridgestone Corporation**, Tokyo (JP)

(**) Term: **14 Years**

(21) Appl. No.: **29/319,576**

(22) Filed: **Jun. 11, 2008**

(51) **LOC (9) Cl.** **12-15**

(52) **U.S. Cl.** **D12/594; D12/900; D12/574**

(58) **Field of Classification Search** D12/536,
D12/539-545, 557-567, 568, 574-603, 900-901;
152/209.1, 209.2, 209.8-209.19, 209.25-209.28
See application file for complete search history.

(56) **References Cited**

U.S. PATENT DOCUMENTS

D61,030 S *	6/1922	Breitenstein	D12/574
D288,078 S *	2/1987	Hasegawa	D12/596
D294,238 S *	2/1988	Premont	D12/598
D428,836 S *	8/2000	Grosskopf et al.	D12/580
D442,896 S *	5/2001	Merino Lopez	D12/600
D474,147 S *	5/2003	Zurita	D12/594
D475,008 S *	5/2003	Gillard et al.	D12/594
D477,809 S *	7/2003	Zurita	D12/601
D485,232 S *	1/2004	Nakamura	D12/596
D498,455 S *	11/2004	Nonaka	D12/579
D499,375 S *	12/2004	Gordon et al.	D12/574
D520,443 S *	5/2006	Yamaura	D12/596
D541,736 S *	5/2007	Helt	D12/600
D550,147 S *	9/2007	Radulescu	D12/545

D564,957 S * 3/2008 Yoshida et al. D12/594

FOREIGN PATENT DOCUMENTS

FR	000635511-0001	A1	1/2004
JP	1299691	S	5/2007
JP	1303198		6/2007
JP	1345350		4/2010

OTHER PUBLICATIONS

Japanese Office Action dated Dec. 10, 2007 (3 pages).

* cited by examiner

Primary Examiner—Stacia Cadmus

(74) *Attorney, Agent, or Firm*—Sughrue Mion, PLLC

(57) **CLAIM**

The ornamental design for a tire tread, as shown and described.

DESCRIPTION

FIG. 1 is a perspective view of the tire tread showing my new design;

FIG. 2 is a front view thereof;

FIG. 3 is a left side view thereof;

FIG. 4 is a top plan view thereof;

FIG. 5 is a sectional view taken along line A—A in FIG. 2; and,

FIG. 6 is a fragmentary enlarged view showing the details of the tread portion thereof.

In the drawings, the broken lines defining the sidewall and the inner bead of the tire depict environmental subject matter that forms no part of the claimed design.

1 Claim, 6 Drawing Sheets

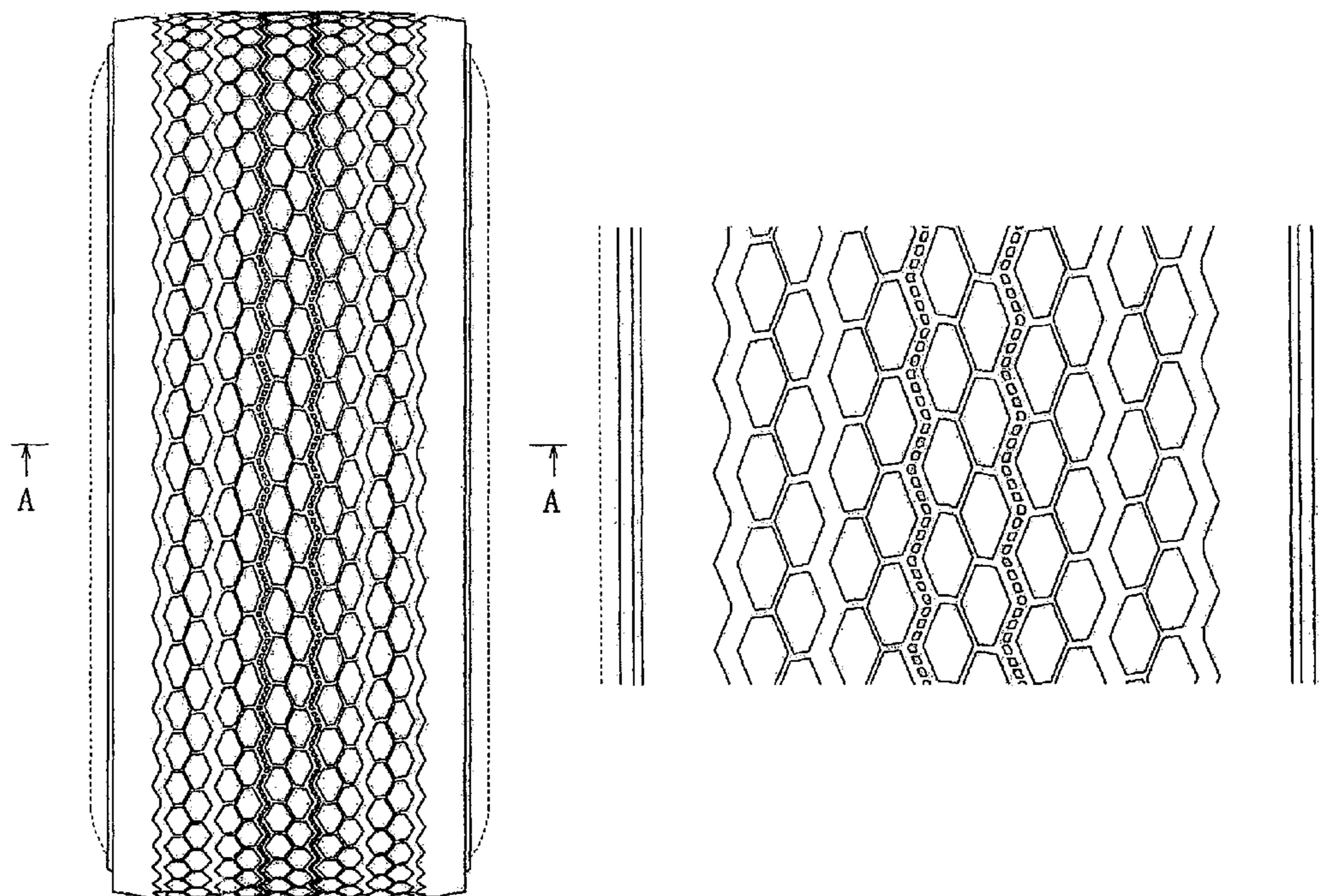


FIG. 1

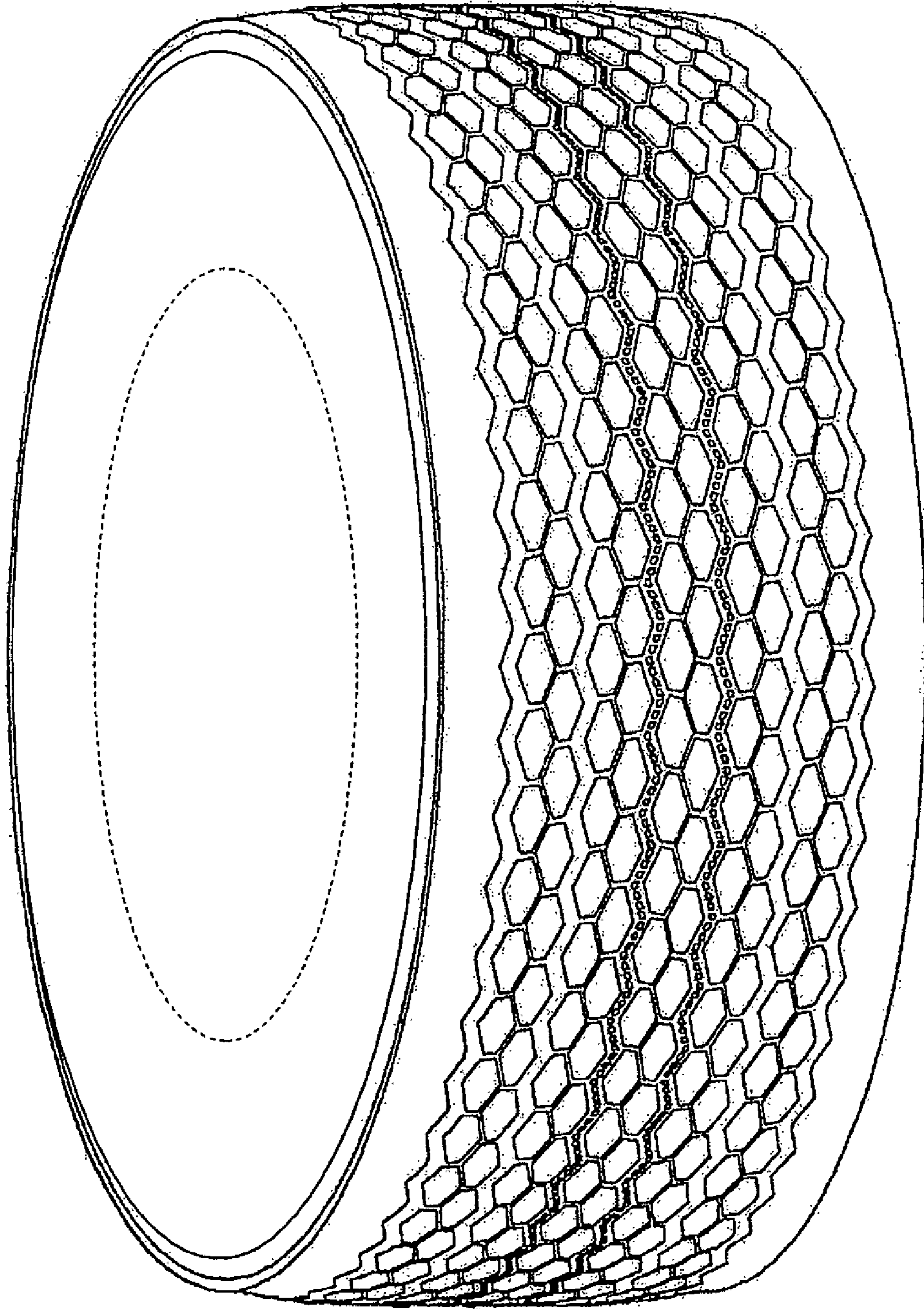


FIG. 2

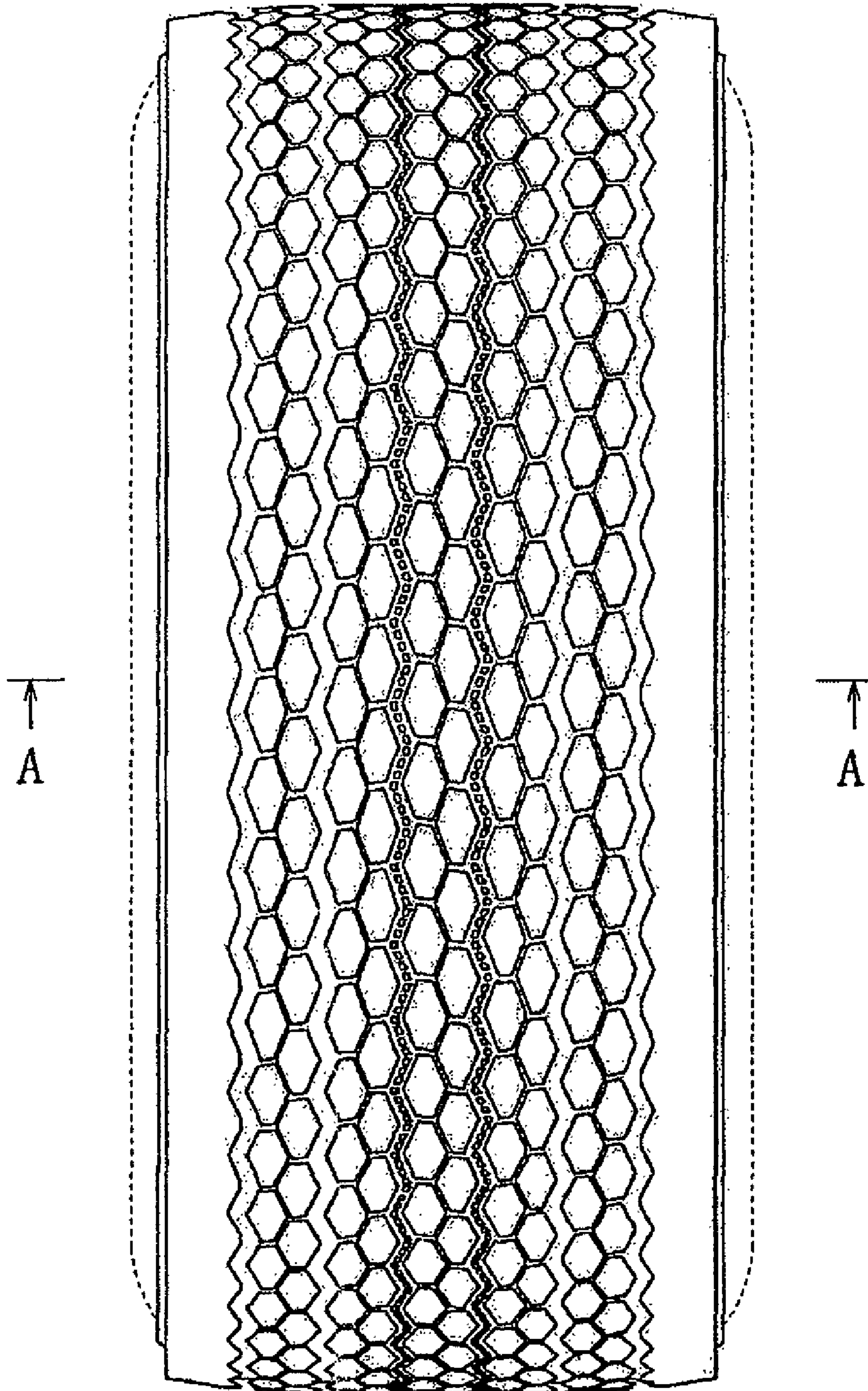


FIG. 3

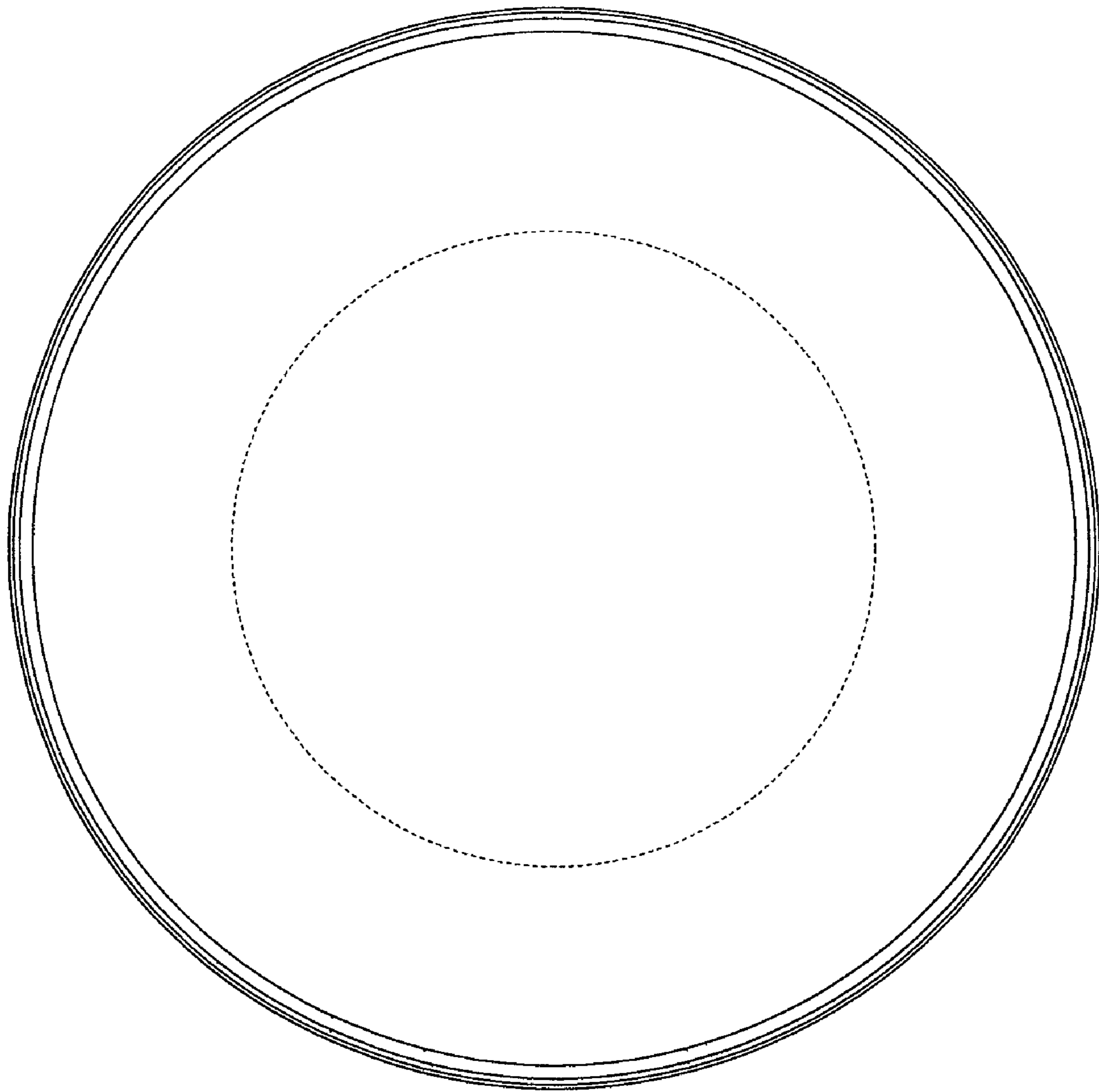


FIG. 4

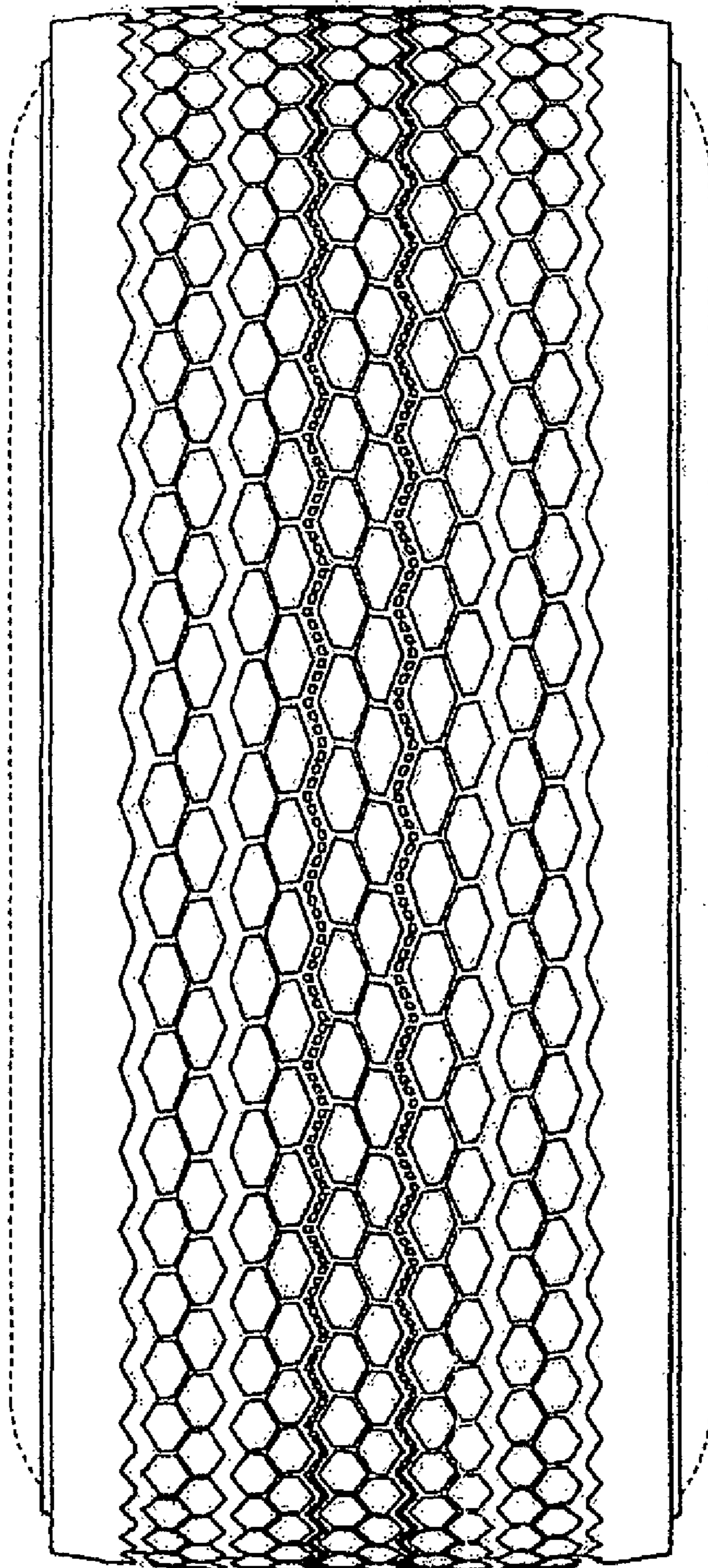


FIG. 5

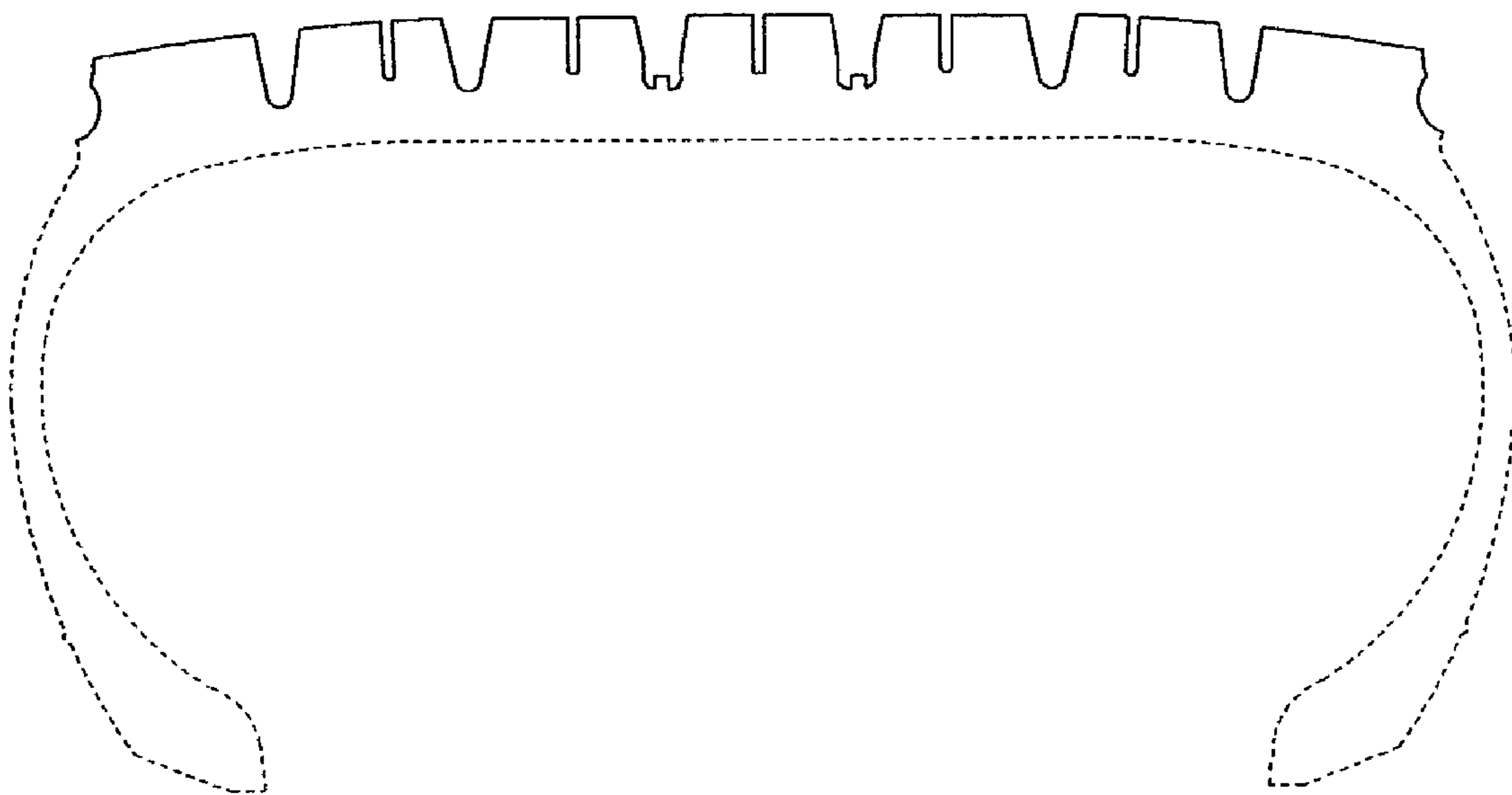


FIG. 6

