



US00D620426S

(12) **United States Design Patent**  
**Conti**

(10) **Patent No.:** **US D620,426 S**

(45) **Date of Patent:** **\*\* Jul. 27, 2010**

(54) **AUTOMOBILE HEATING BLANKET**

5,902,003 A \* 5/1999 Hindson ..... 296/136.02

\* cited by examiner

(76) **Inventor:** **Timothy D. Conti**, 125 Depot Rd., E.  
Kingston, NH (US) 03827

*Primary Examiner*—Caron Veynar

*Assistant Examiner*—Katrina A Kile

(\*\*) **Term:** **14 Years**

(74) *Attorney, Agent, or Firm*—Richard L. Mikesell

(21) **Appl. No.:** **29/316,987**

(57) **CLAIM**

(22) **Filed:** **Nov. 16, 2009**

The ornamental design for an automobile heating blanket, as shown and described.

(51) **LOC (9) Cl.** ..... **12-16**

(52) **U.S. Cl.** ..... **D12/401**

(58) **Field of Classification Search** ..... D12/400,  
D12/401, 404, 406, 412, 414, 222, 223, 86,  
D12/93, 101; 224/923, 924; 211/100, 124,  
211/2, 4, 85.7; D6/552

See application file for complete search history.

**DESCRIPTION**

FIG. 1: Top right perspective view;

FIG. 2: Right side elevation;

FIG. 3: Left side elevation;

FIG. 4: Top plan view;

FIG. 5: Rear elevation;

FIG. 6: Front elevation; and,

FIG. 7: Bottom plan view.

The break in the power cord in the drawings show indeterminate length.

In the drawings, the broken lines in FIG. 1. show an automobile only and form no part of the claimed design.

(56) **References Cited**

**U.S. PATENT DOCUMENTS**

2,646,097 A \* 7/1953 Gaverth et al. .... 150/166

4,699,192 A \* 10/1987 Kamen et al. .... 150/166

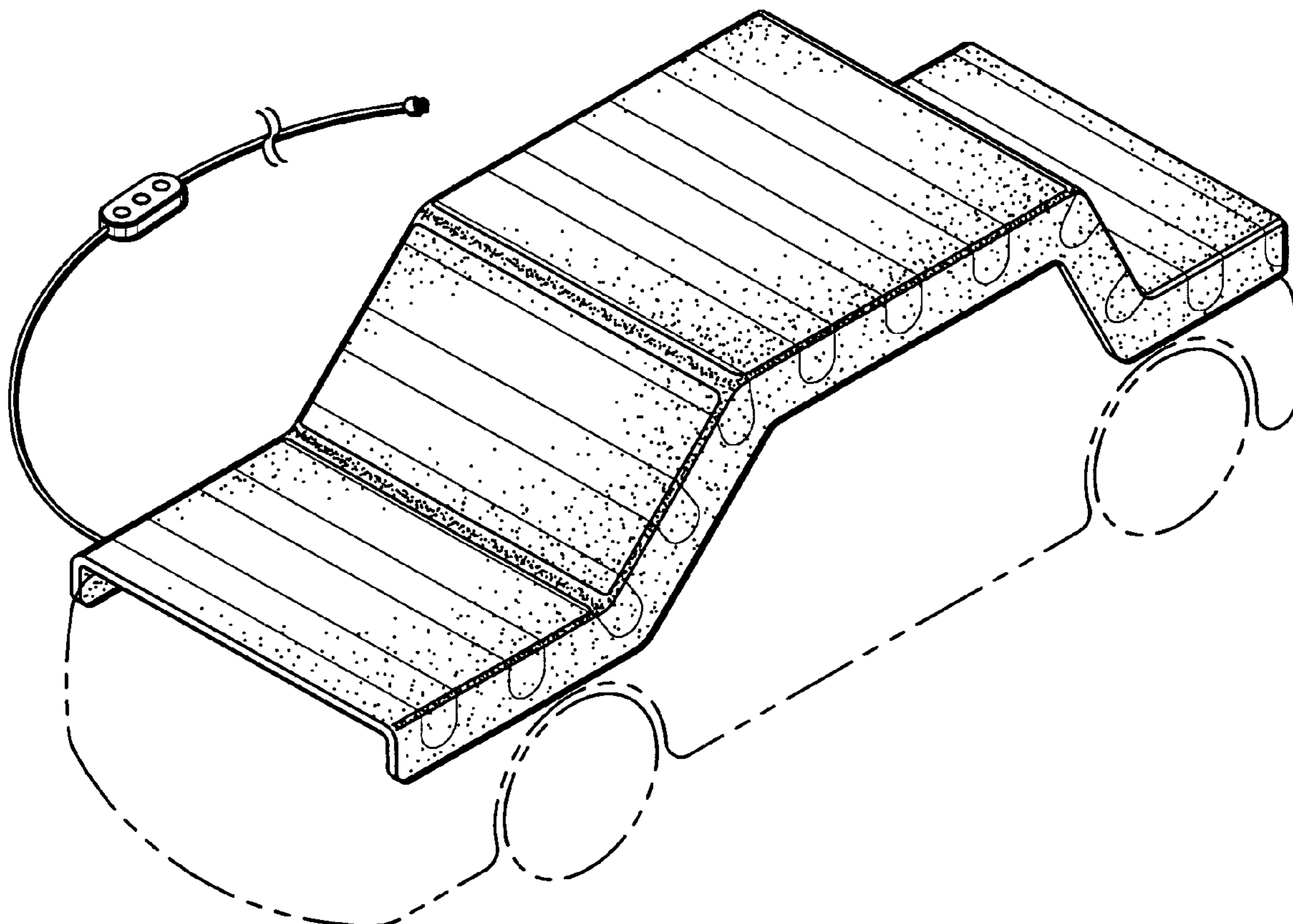
4,821,785 A \* 4/1989 Rolan ..... 150/166

5,193,877 A \* 3/1993 George, Jr. .... 296/136.1

D375,078 S \* 10/1996 Cobb ..... D12/401

D402,621 S \* 12/1998 Douglas ..... D12/401

**1 Claim, 3 Drawing Sheets**



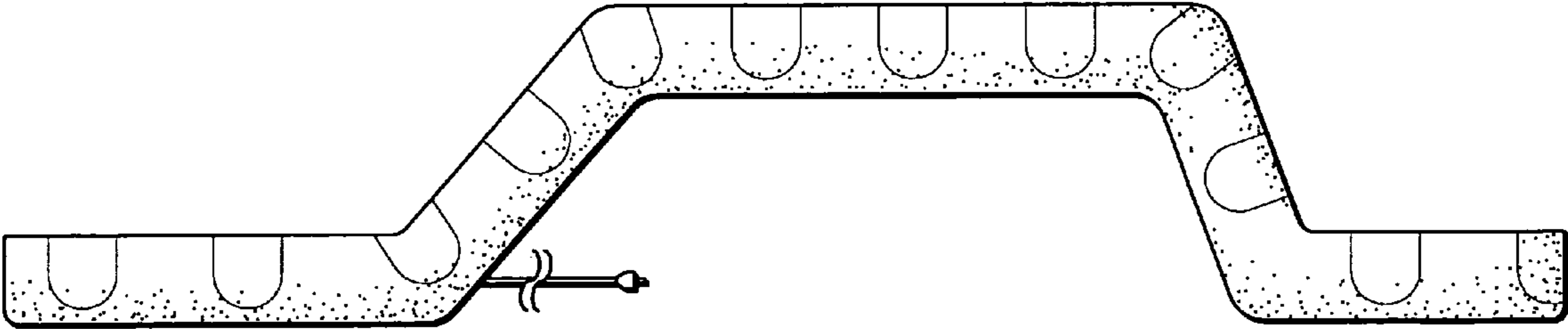
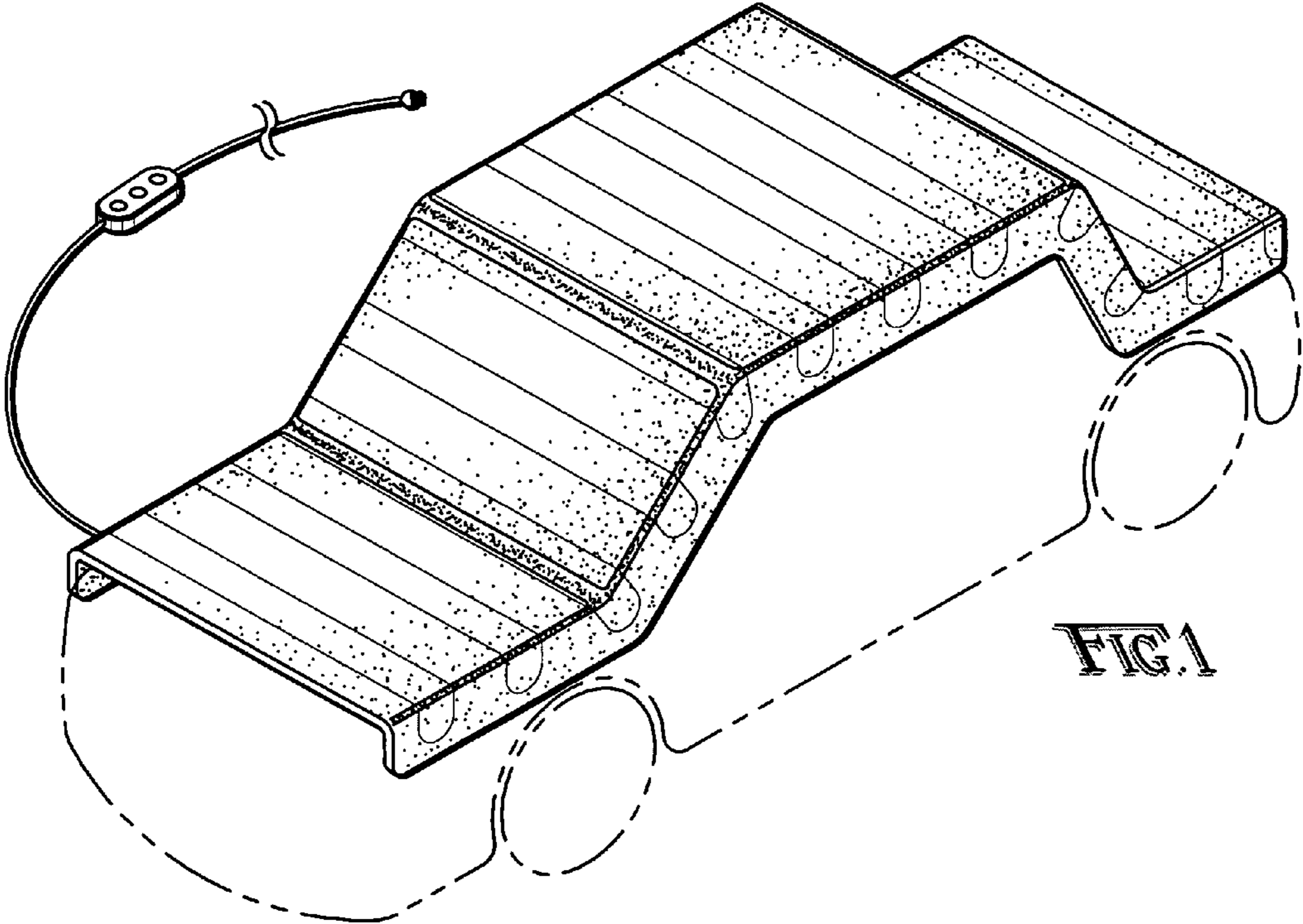


FIG. 2

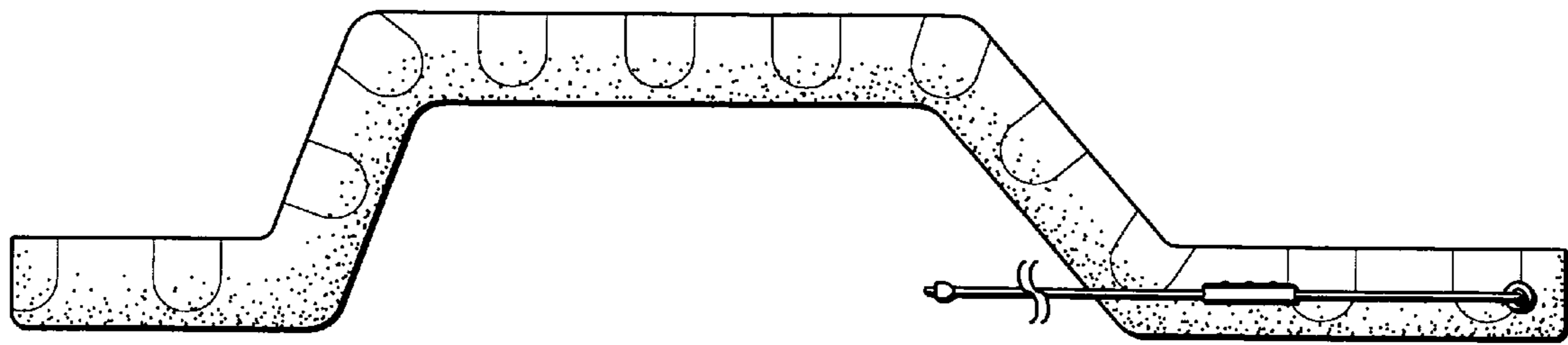


FIG. 3

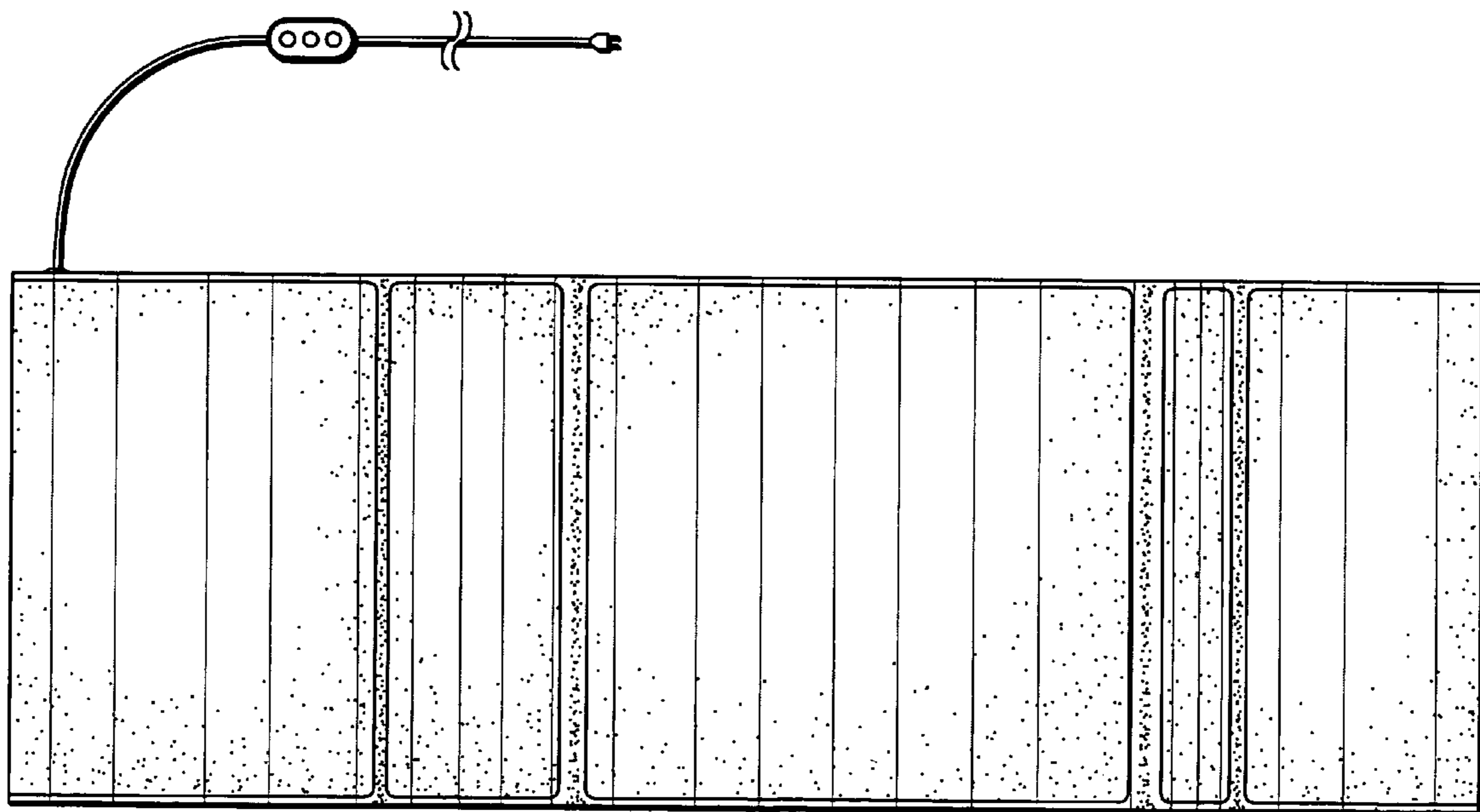


FIG. 4

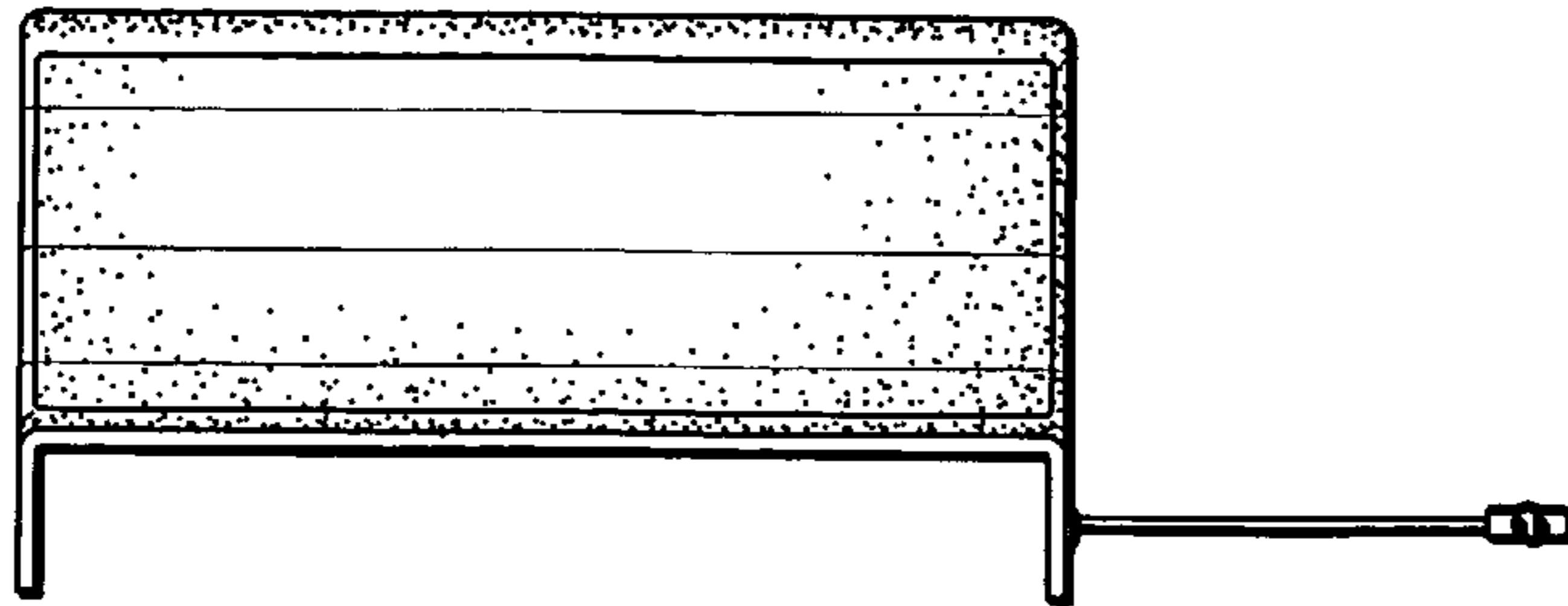


FIG. 5

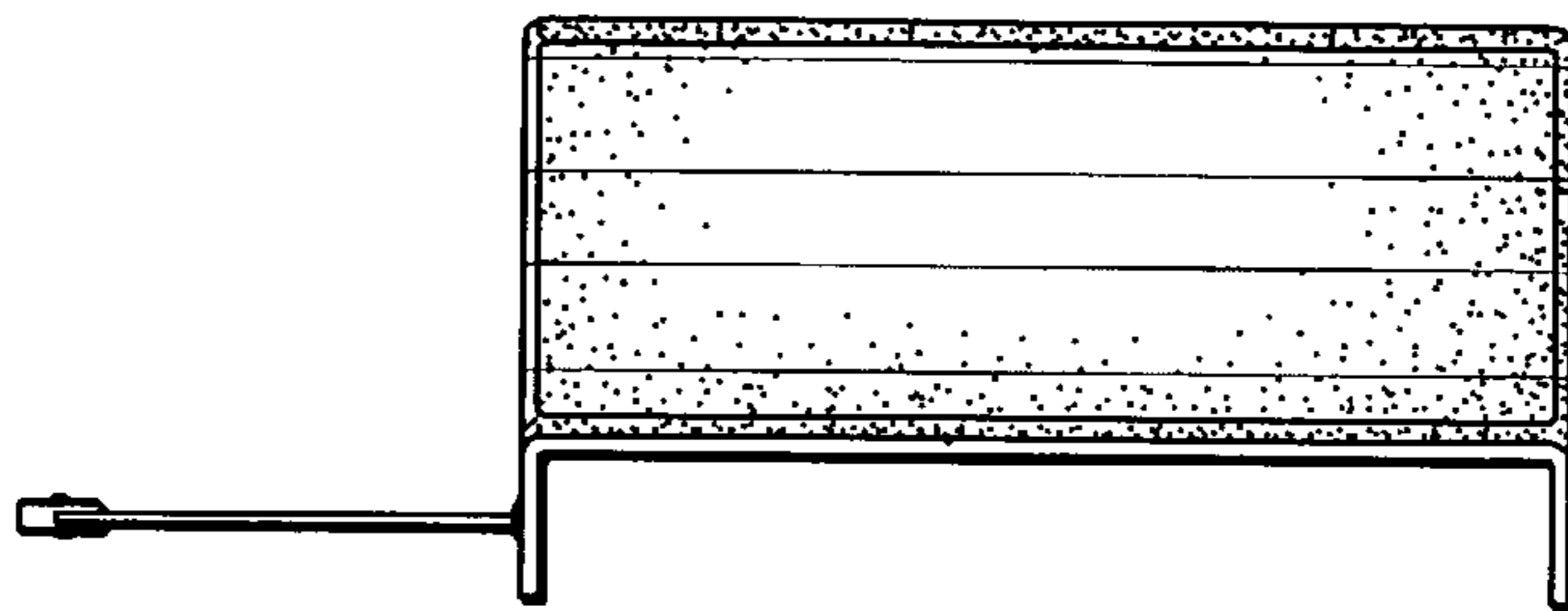


FIG. 6

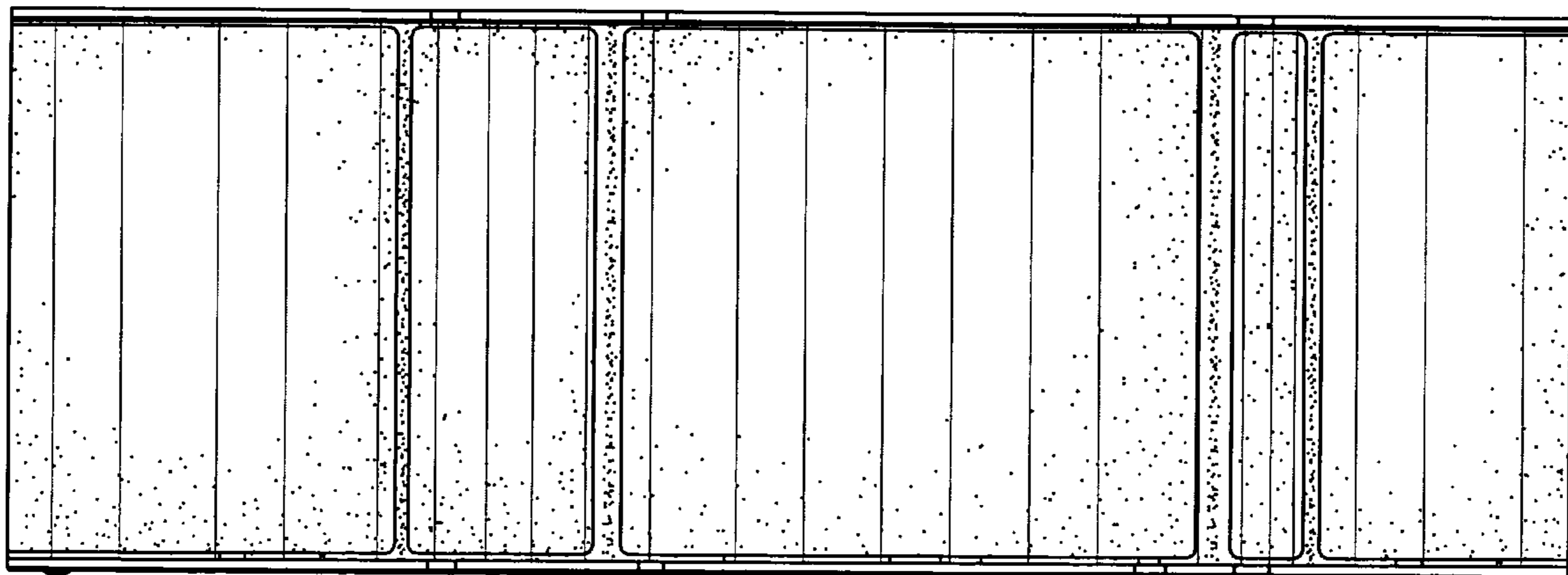


FIG. 7