



US00D620424S

(12) **United States Design Patent**
Gallert

(10) **Patent No.:** **US D620,424 S**
(45) **Date of Patent:** **** Jul. 27, 2010**

(54) **AUTOMOBILE WHEEL**

(75) Inventor: **Michael Gallert**, Stuttgart (DE)

(73) Assignee: **Dr. Ing. h.c. F. Porsche AG**, Stuttgart (DE)

(**) Term: **14 Years**

(21) Appl. No.: **29/341,477**

(22) Filed: **Aug. 6, 2009**

(30) **Foreign Application Priority Data**

Feb. 27, 2009 (DE) 40 2009 001 045

(51) **LOC (9) Cl.** **12-16**

(52) **U.S. Cl.** **D12/211**

(58) **Field of Classification Search** D12/204-213;
301/37.101, 64.101, 65, 64.201
See application file for complete search history.

(56) **References Cited**

U.S. PATENT DOCUMENTS

D361,547 S * 8/1995 Weld D12/211

D466,853 S *	12/2002	Maifrini	D12/211
D494,524 S *	8/2004	Rice	D12/211
D515,491 S *	2/2006	Elmitt	D12/209
D527,334 S *	8/2006	Hettler	D12/211
D530,258 S *	10/2006	Schell	D12/211
D544,823 S *	6/2007	Hieke	D12/211
D572,649 S *	7/2008	Laengerer	D12/211
D580,841 S *	11/2008	Gallert	D12/211
D596,549 S *	7/2009	Varga	D12/211

* cited by examiner

Primary Examiner—Stacia Cadmus

(57) **CLAIM**

The ornamental design for an automobile wheel, as shown and described.

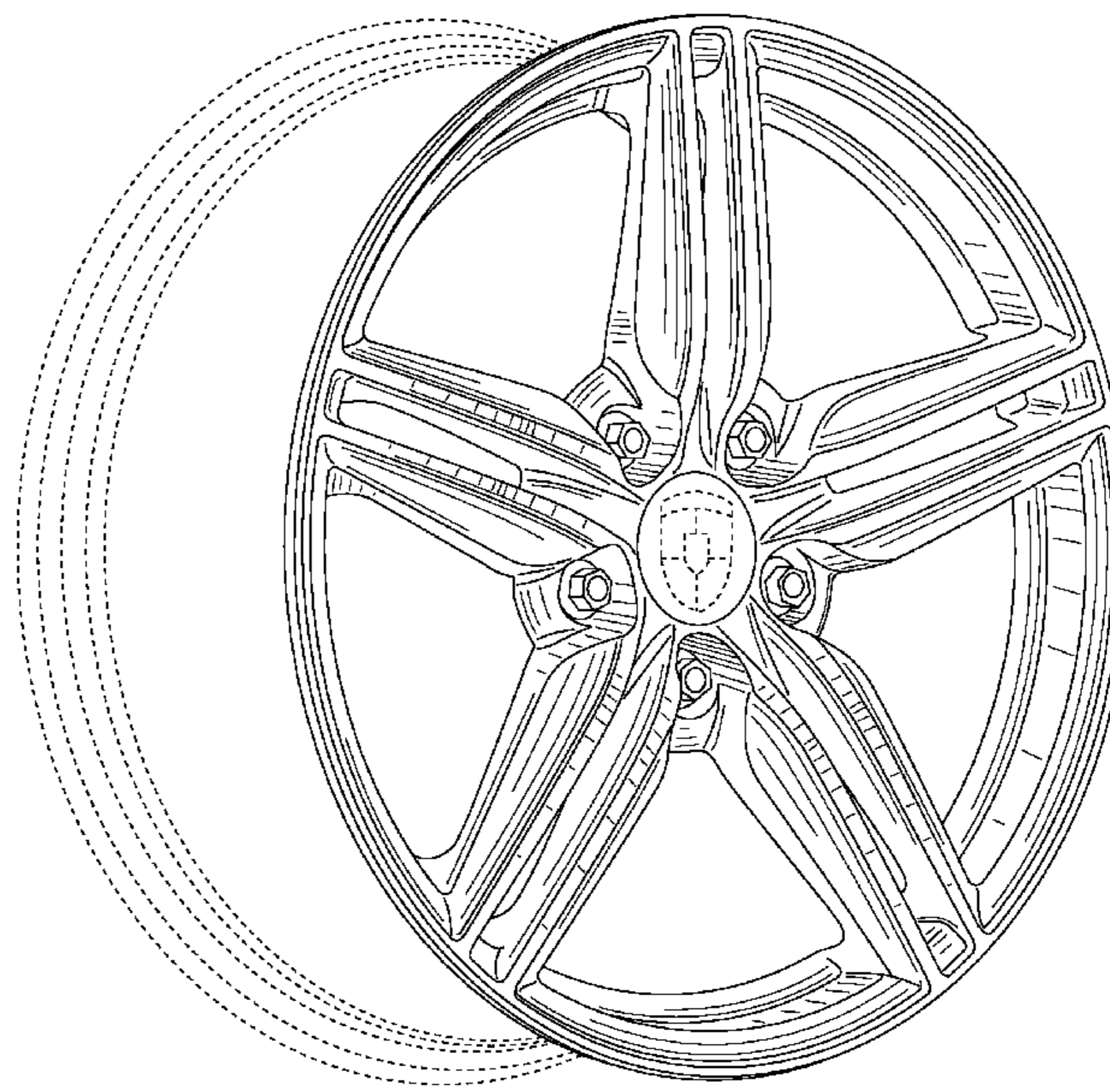
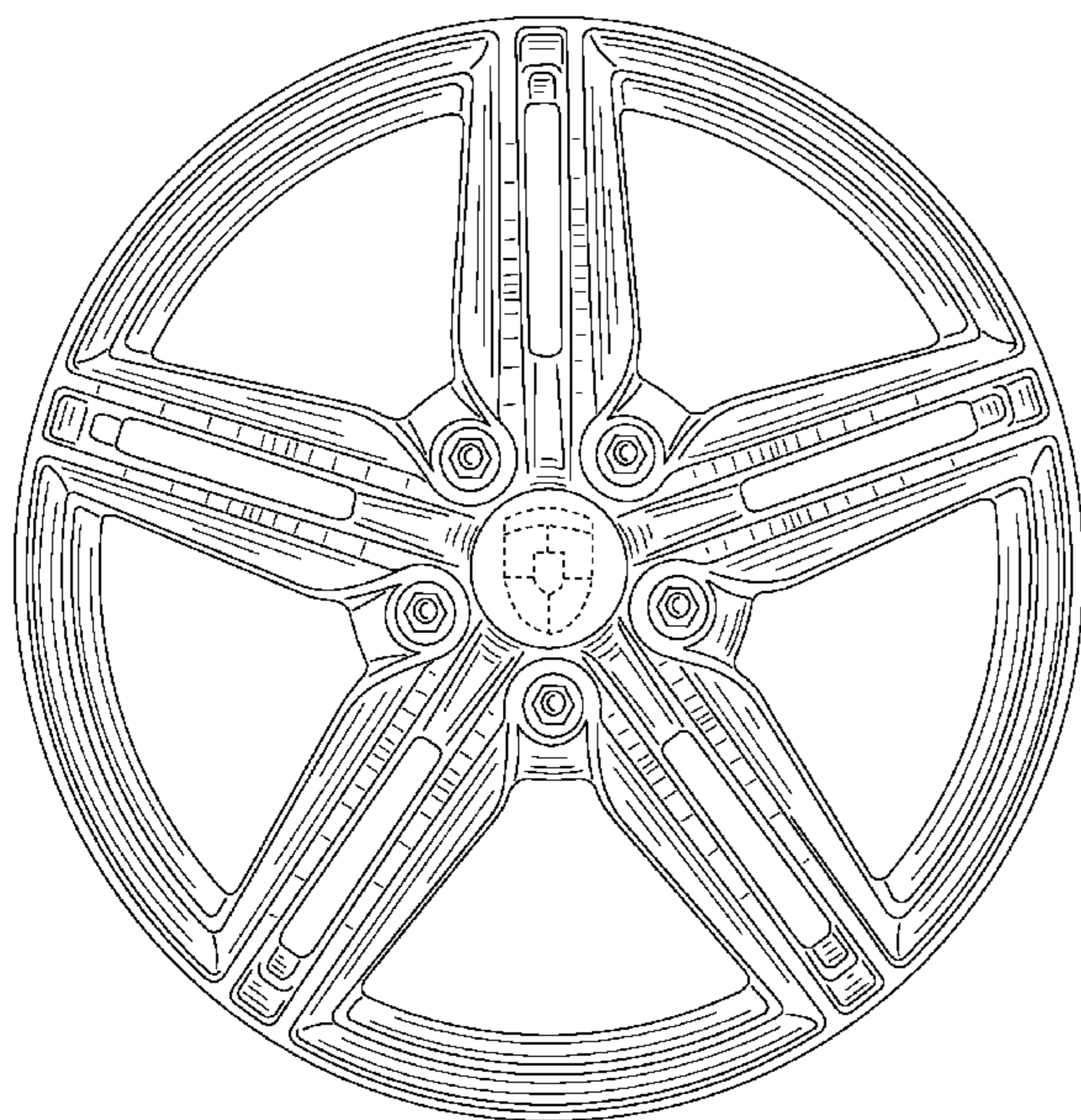
DESCRIPTION

FIG. 1 is a front elevational view of an automobile wheel, showing my new design; and,

FIG. 2 is a perspective view thereof.

In the drawings, the broken lines show environmental subject matter which forms no part of the claim.

1 Claim, 2 Drawing Sheets



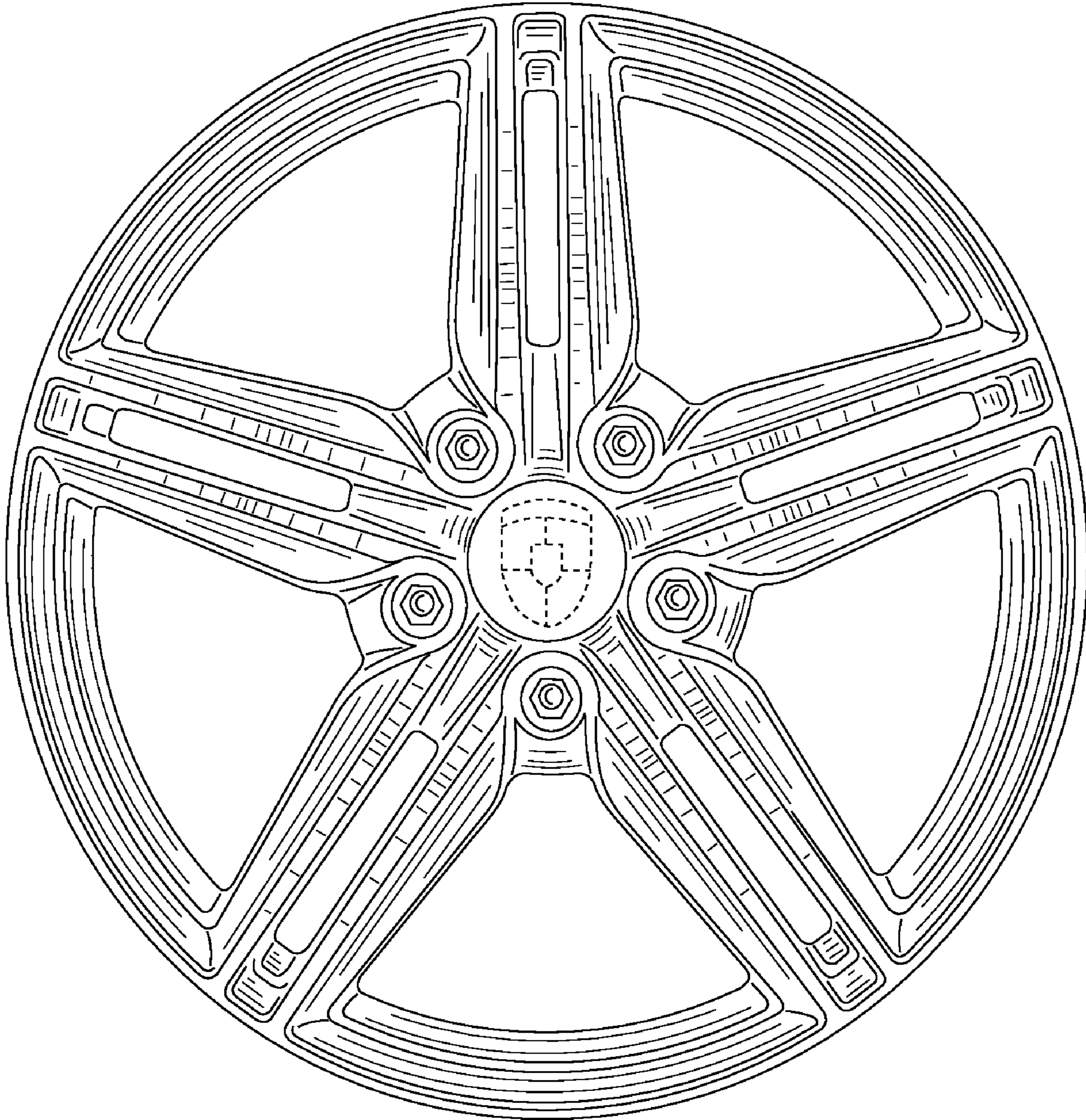


FIG. 1

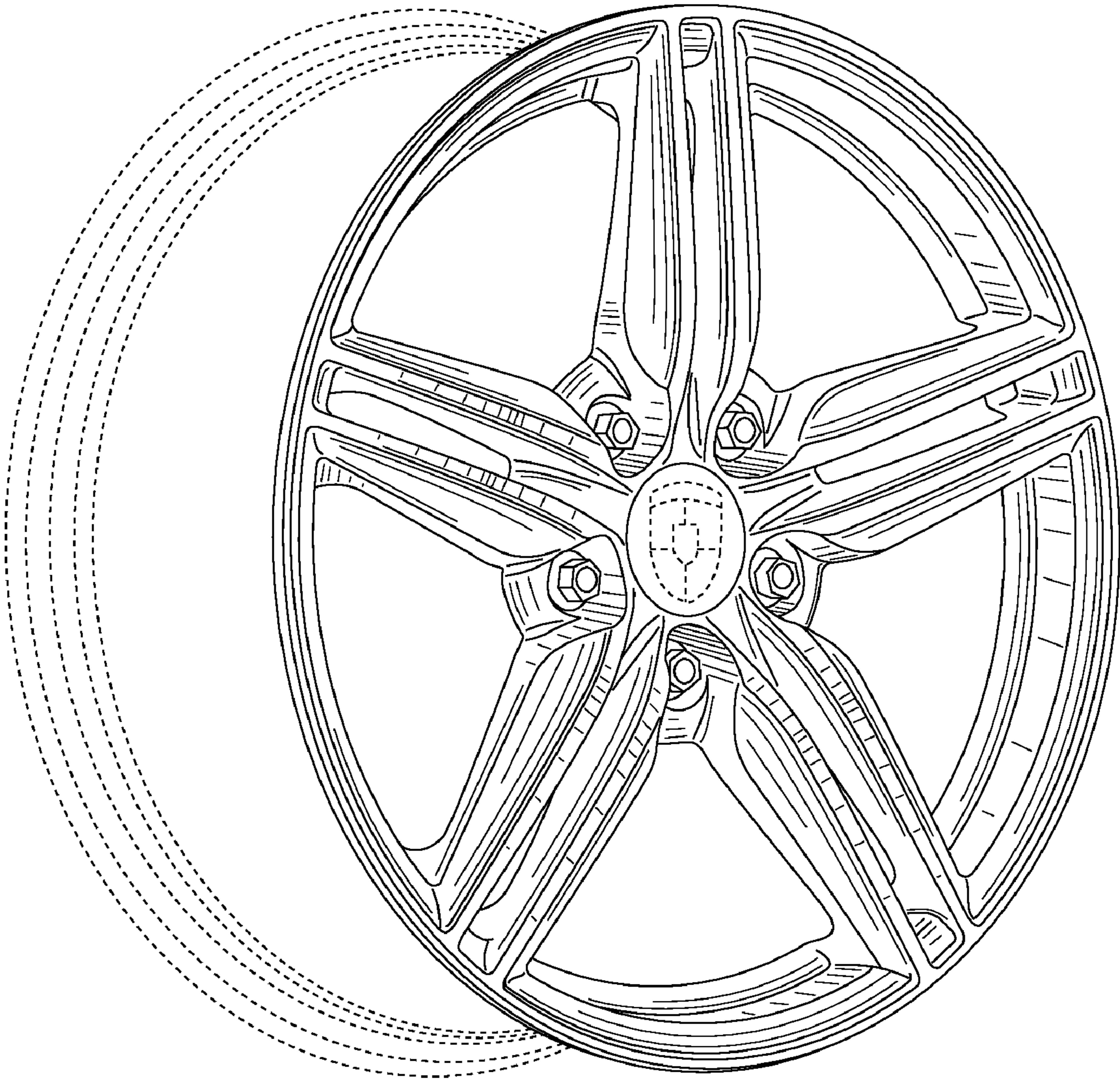


FIG. 2