



US00D620423S

(12) **United States Design Patent**
Gallert

(10) **Patent No.:** **US D620,423 S**
(45) **Date of Patent:** **** Jul. 27, 2010**

(54) **AUTOMOBILE WHEEL**

(75) Inventor: **Michael Gallert**, Stuttgart (DE)

(73) Assignee: **Dr. Ing. h.c. F. Porsche AG**, Stuttgart (DE)

(**) Term: **14 Years**

(21) Appl. No.: **29/341,340**

(22) Filed: **Aug. 4, 2009**

(30) **Foreign Application Priority Data**

Feb. 27, 2009 (DE) 40 2009 001 045

(51) **LOC (9) Cl.** **12-16**

(52) **U.S. Cl.** **D12/211**

(58) **Field of Classification Search** D12/204-213;
301/37.101, 64.101, 65, 64.201
See application file for complete search history.

(56) **References Cited**

U.S. PATENT DOCUMENTS

D361,547 S * 8/1995 Weld D12/211
D466,853 S * 12/2002 Maifrini D12/211
D494,524 S * 8/2004 Rice D12/211
D515,491 S * 2/2006 Elmitt D12/209
D527,334 S * 8/2006 Hettler D12/211

D530,258 S * 10/2006 Schell D12/211
D544,823 S * 6/2007 Hieke D12/211
D572,649 S * 7/2008 Laengerer D12/211
D580,841 S * 11/2008 Gallert D12/211
D596,549 S * 7/2009 Varga D12/211

* cited by examiner

Primary Examiner—Stacia Cadmus

(57) **CLAIM**

The ornamental design for an automobile wheel, as shown and described.

DESCRIPTION

FIG. 1 is a front elevational view of an automobile wheel, showing my new design;

FIG. 2 is a perspective view thereof;

FIG. 3 is a left-side view thereof;

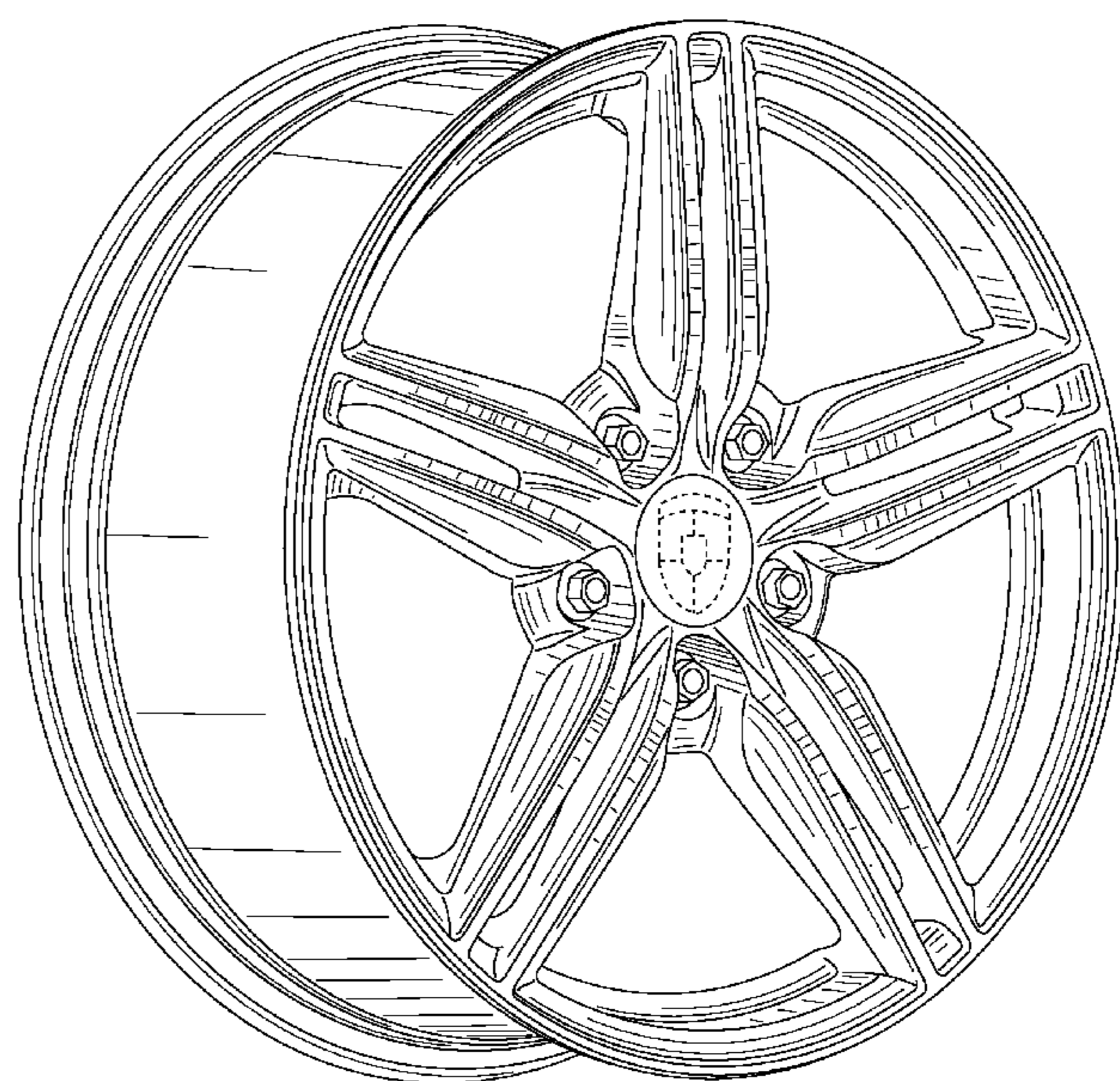
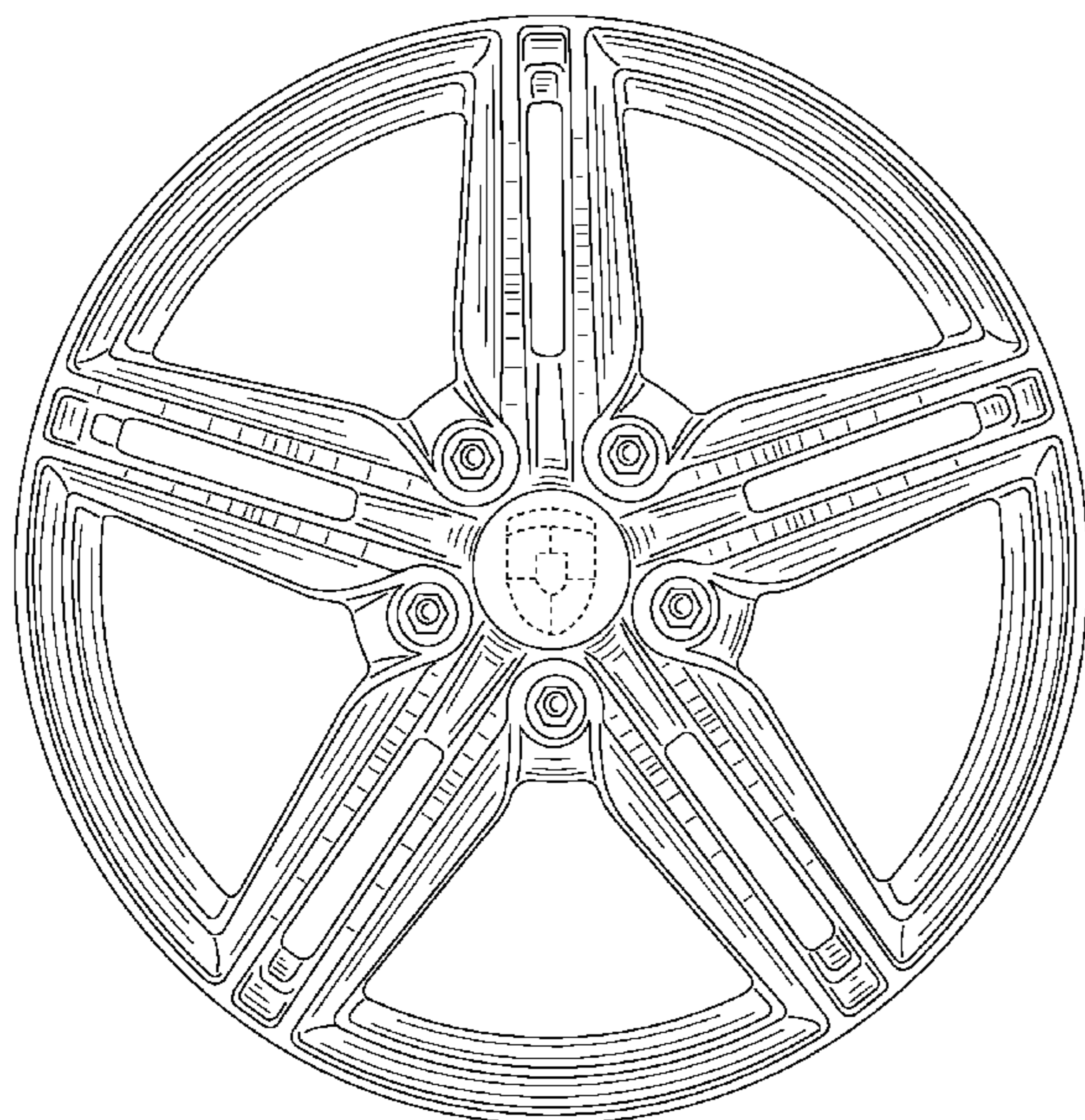
FIG. 4 is a right-side view thereof;

FIG. 5 is a bottom, plan view thereof; and,

FIG. 6 is top, plan view thereof.

The broken line showing of the emblem in FIGS. 1 and 2 is included for the purpose of illustrating environment and forms no part of the claimed design.

1 Claim, 4 Drawing Sheets



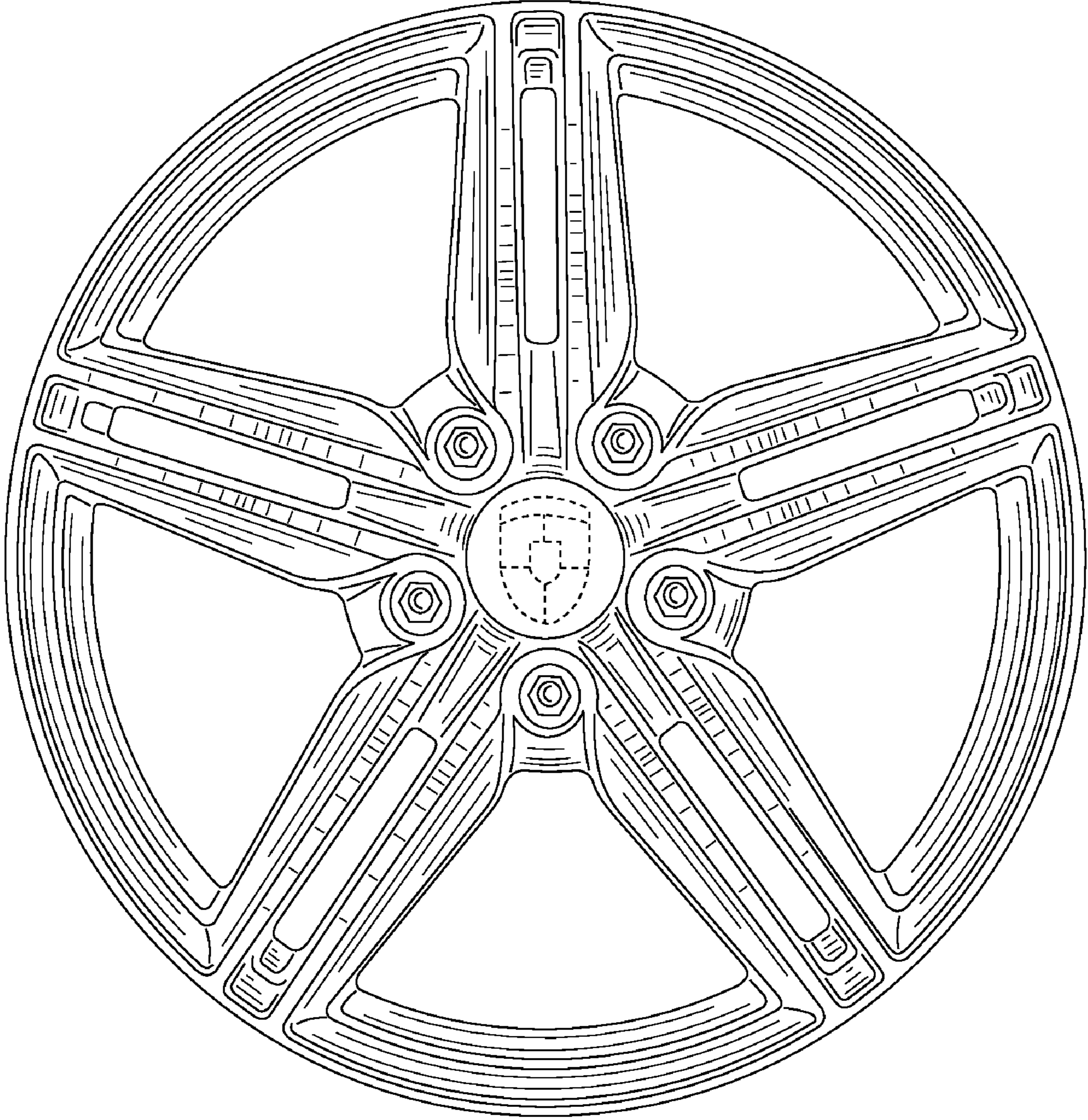


FIG. 1

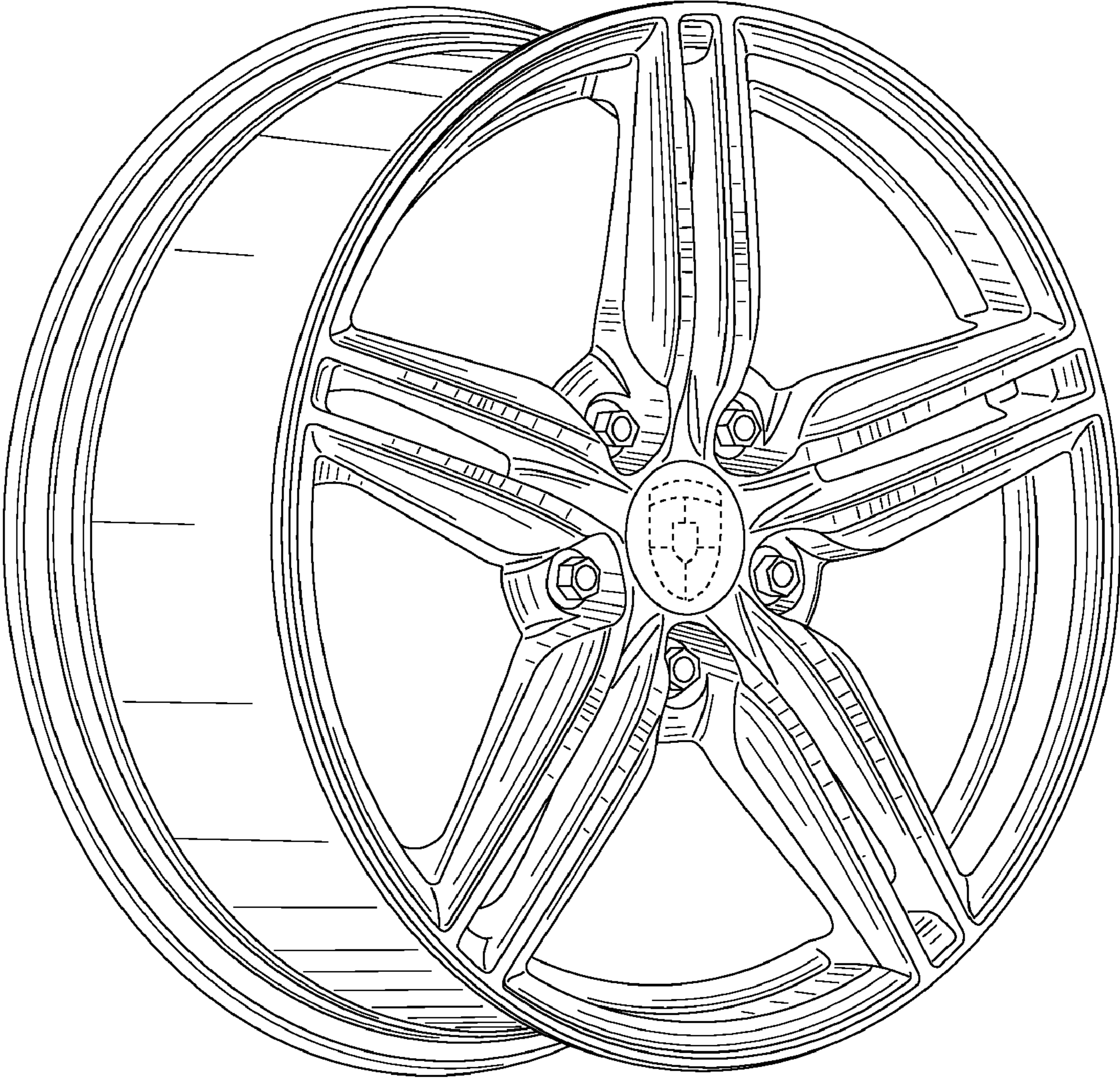


FIG. 2

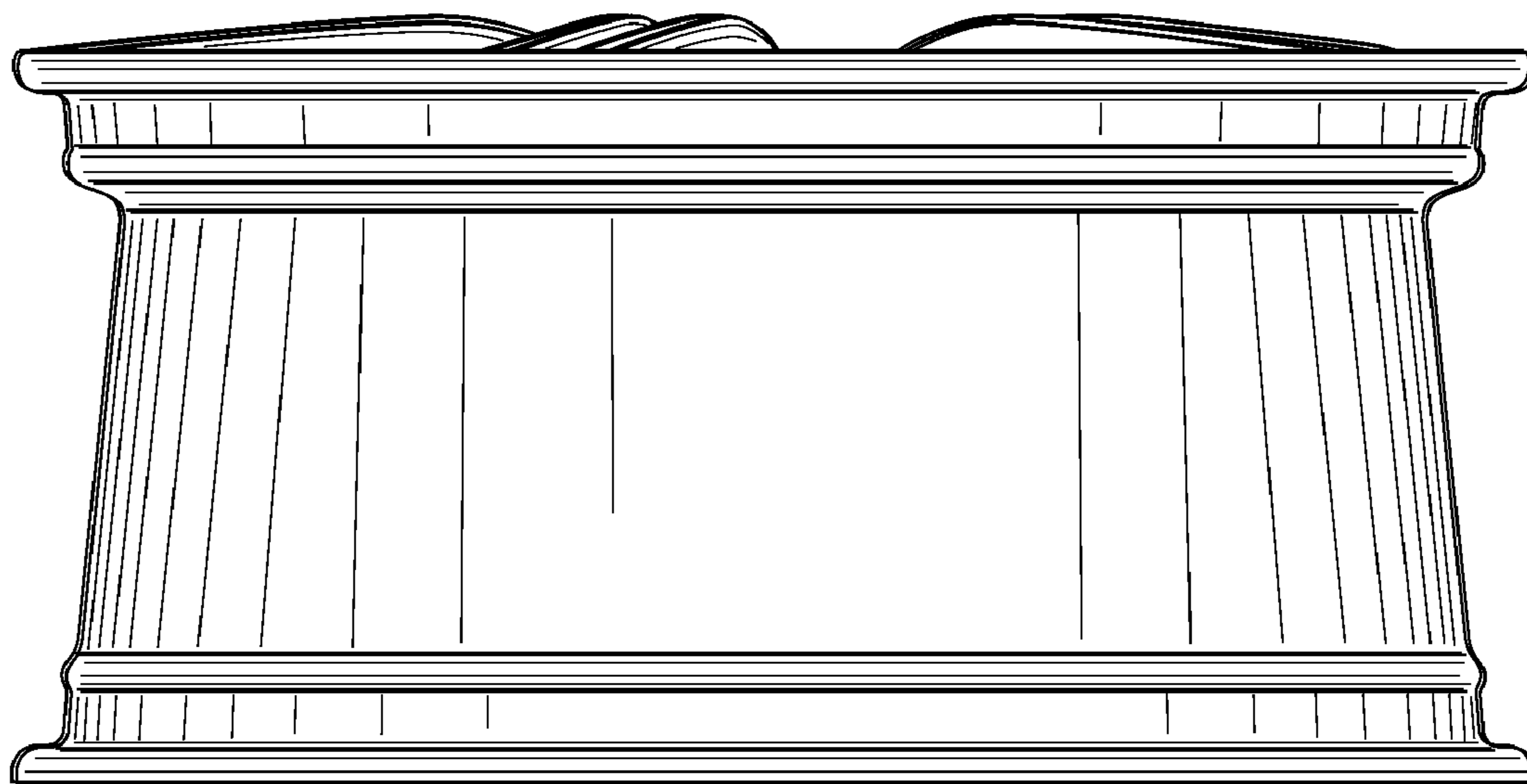


FIG. 3

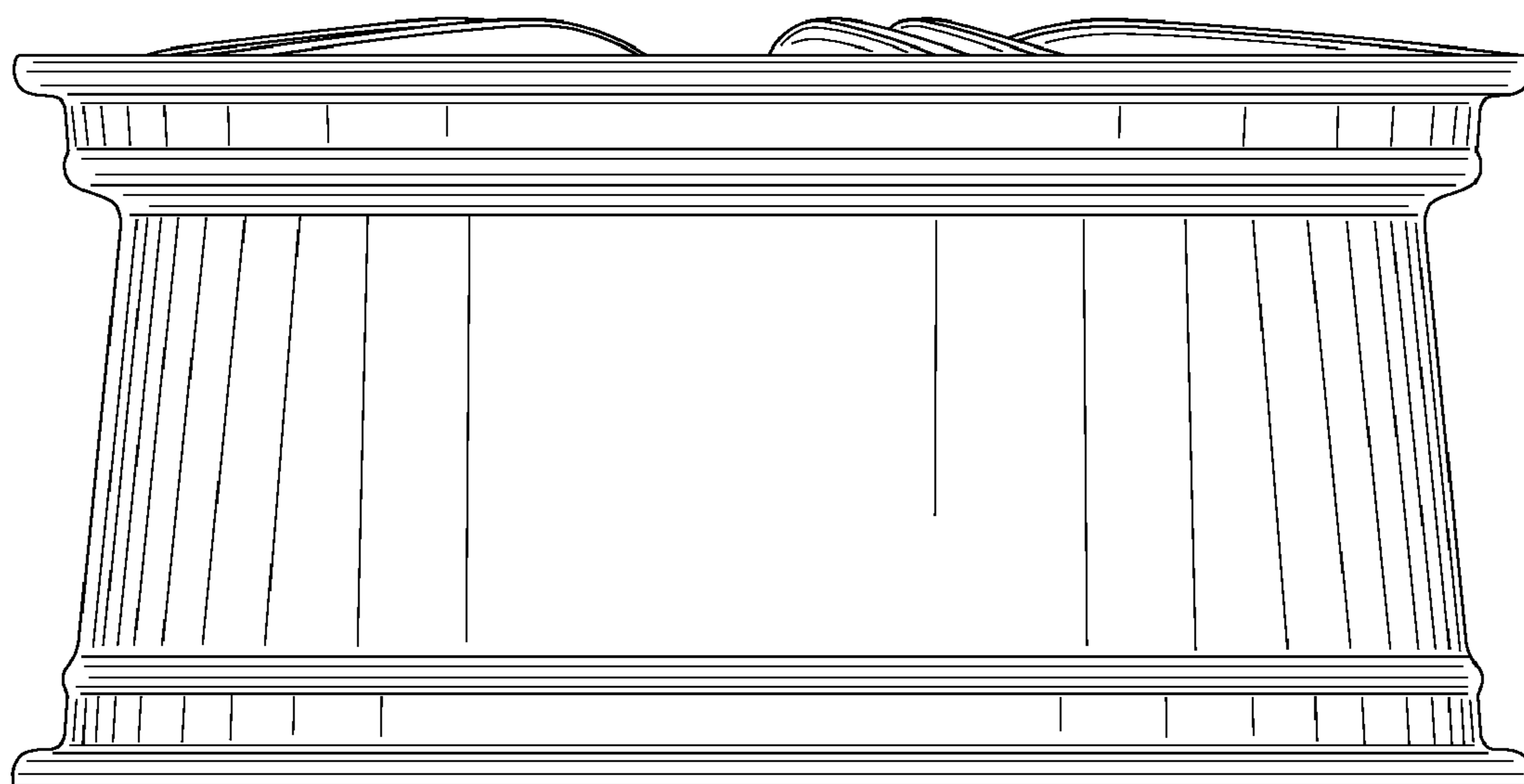


FIG. 4

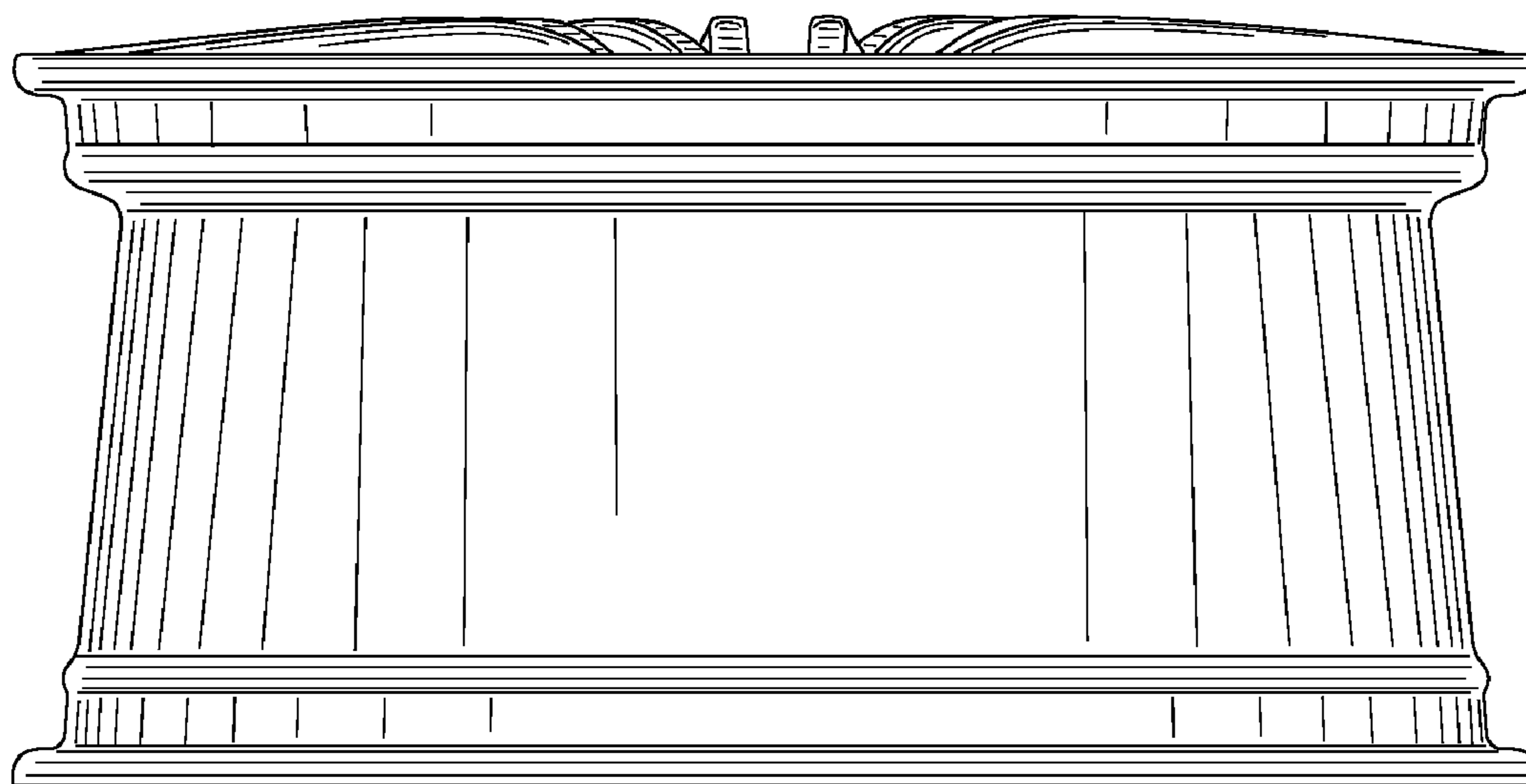


FIG. 5

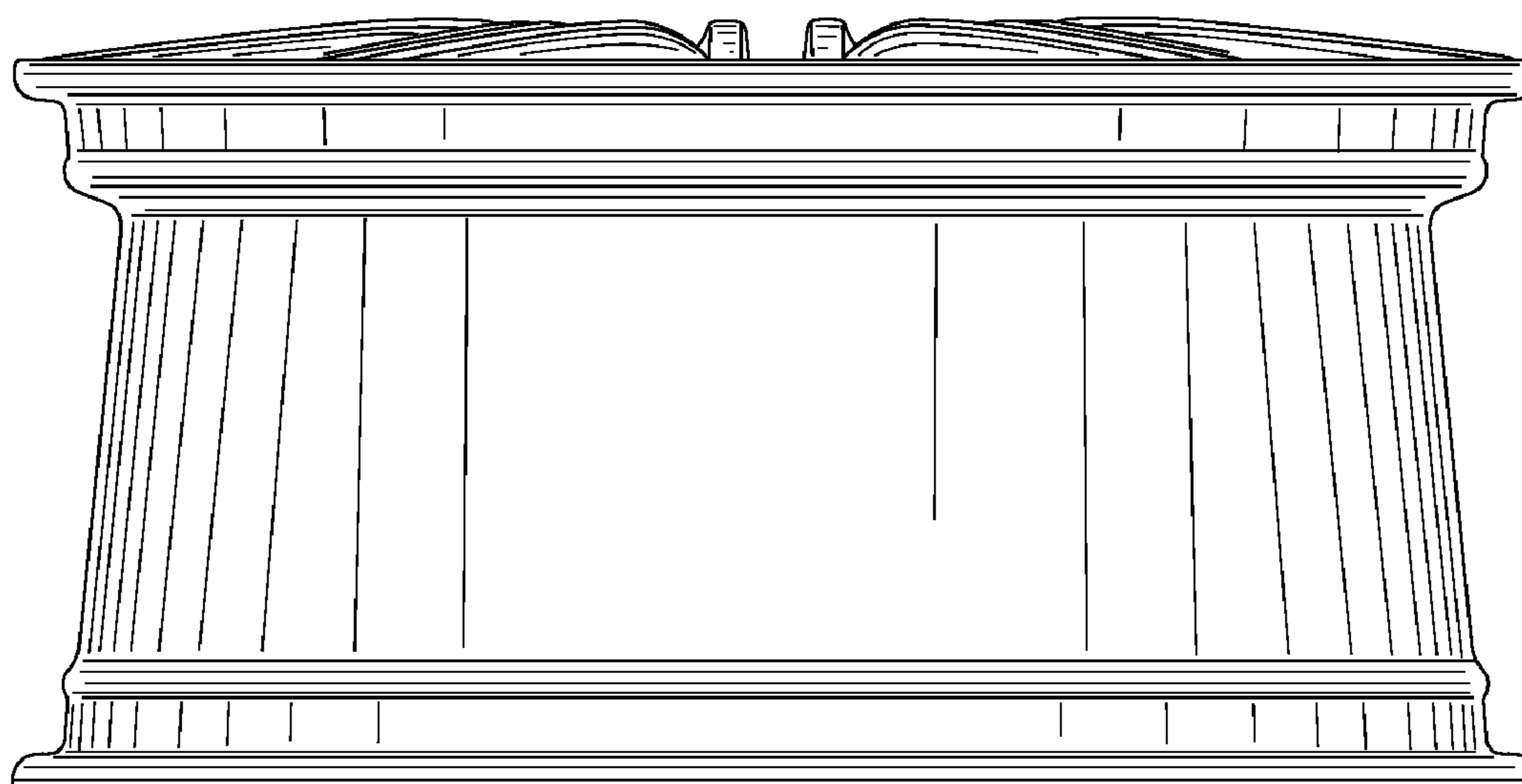


FIG. 6