



US00D620417S

(12) **United States Design Patent**
Gallert

(10) **Patent No.:** **US D620,417 S**
(45) **Date of Patent:** **** Jul. 27, 2010**

(54) **AUTOMOBILE WHEEL**

(75) Inventor: **Michael Gallert**, Stuttgart (DE)

(73) Assignee: **Dr. Ing. h.c. F. Porsche AG**, Stuttgart (DE)

(**) Term: **14 Years**

(21) Appl. No.: **29/342,563**

(22) Filed: **Aug. 27, 2009**

(51) **LOC (9) Cl.** **12-16**

(52) **U.S. Cl.** **D12/209**

(58) **Field of Classification Search** D12/204-213;
301/37.101, 64.101, 65, 64.201

See application file for complete search history.

(56) **References Cited**

U.S. PATENT DOCUMENTS

D421,417 S	*	3/2000	Weidhase	D12/209
D458,571 S	*	6/2002	Maifrini	D12/209
D466,853 S	*	12/2002	Maifrini	D12/211
D478,307 S	*	8/2003	Maifrini	D12/211
D481,663 S	*	11/2003	Maifrini	D12/211

D504,100 S	*	4/2005	Pollmann	D12/211
D513,487 S	*	1/2006	Wachtler	D12/209
D522,432 S	*	6/2006	Pfeiffer	D12/209
D522,949 S	*	6/2006	Elmitt	D12/211
D563,305 S	*	3/2008	Schweizer	D12/211
D580,841 S	*	11/2008	Gallert	D12/211
D582,331 S	*	12/2008	Blasi	D12/209
D590,314 S	*	4/2009	Hettler	D12/209
D609,623 S	*	2/2010	Gallert	D12/209

* cited by examiner

Primary Examiner—Stacia Cadmus

(57) **CLAIM**

The ornamental design for an automobile wheel, as shown and described.

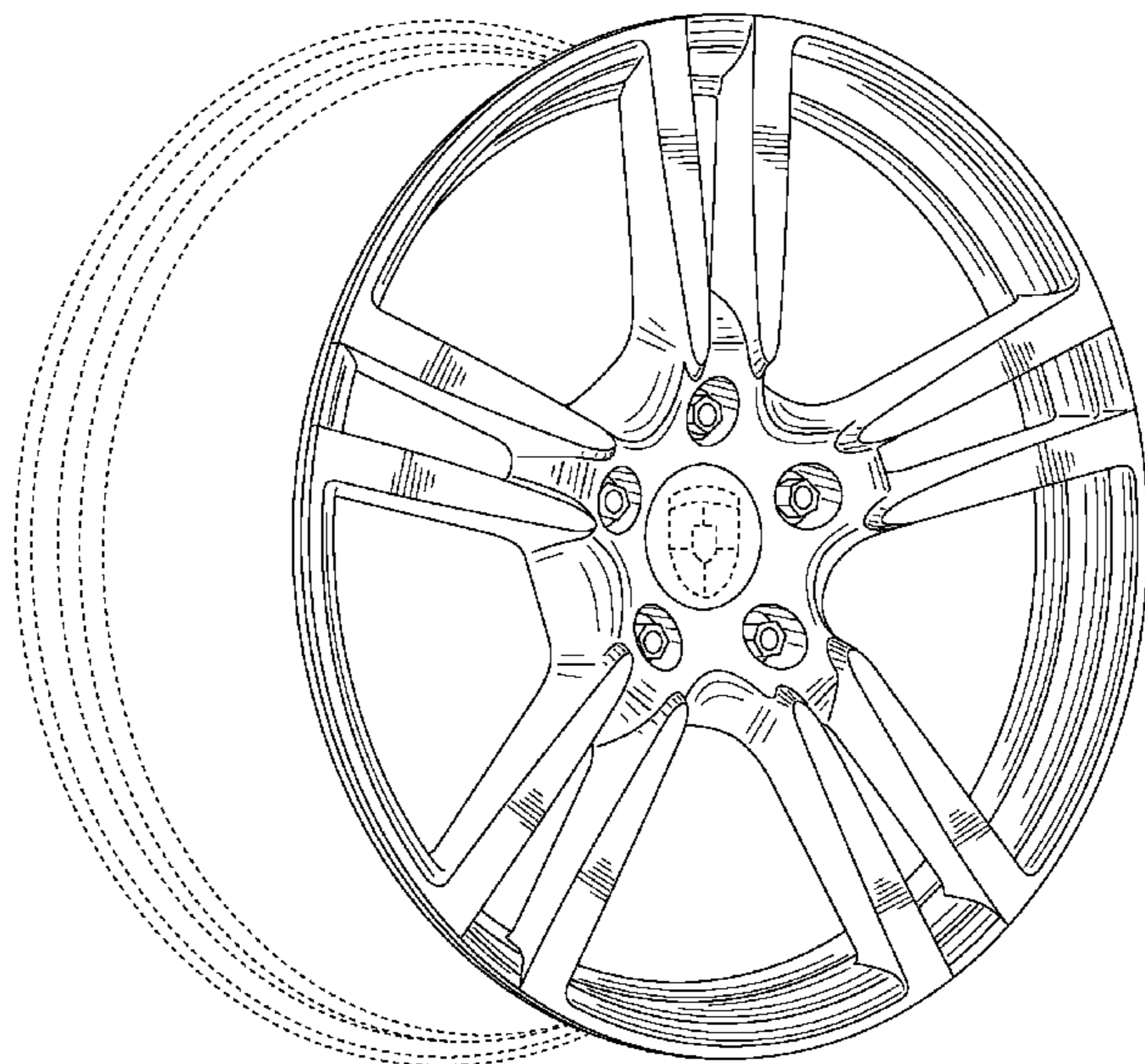
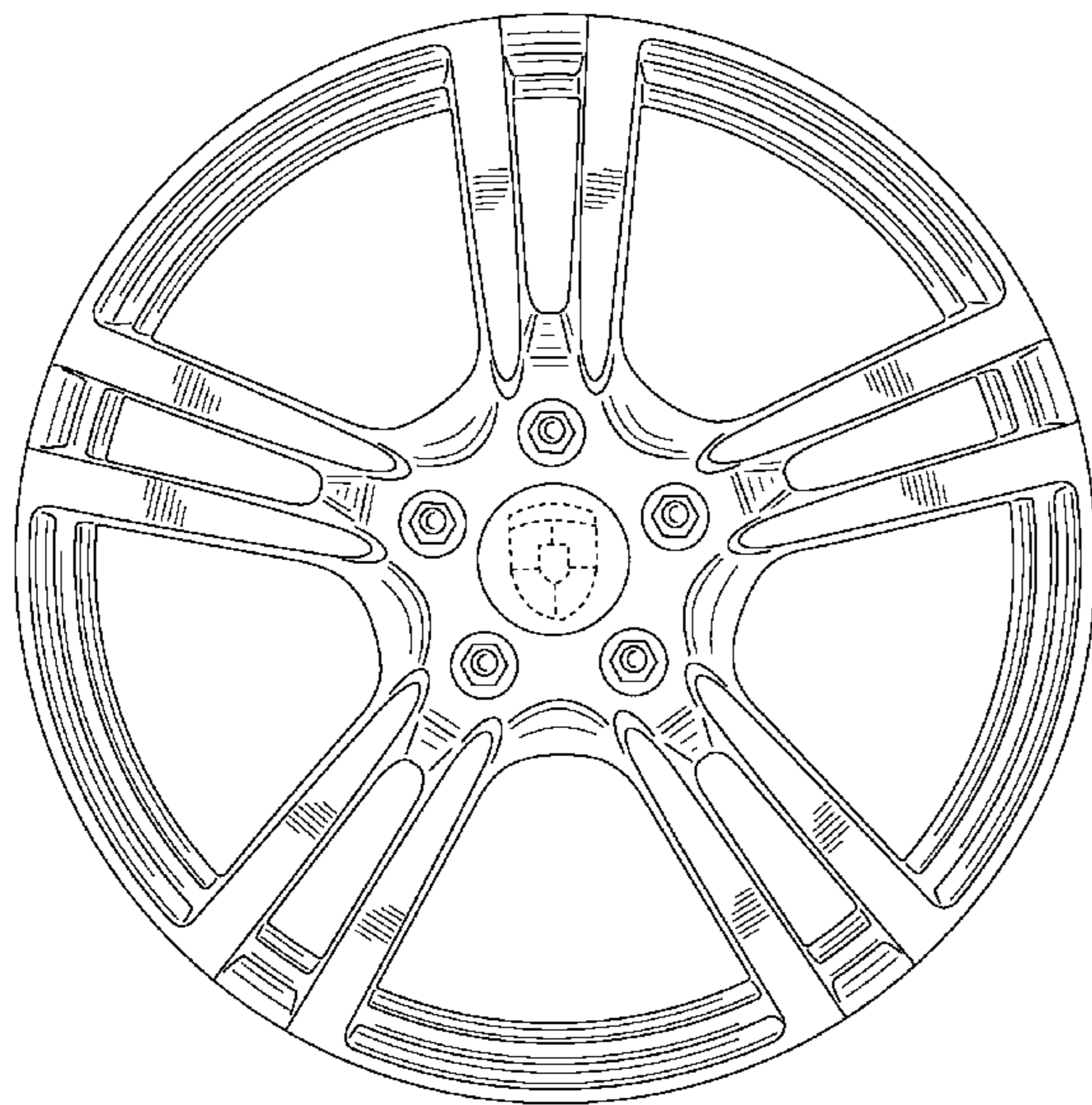
DESCRIPTION

FIG. 1 is a front elevational view of an automobile wheel, showing my new design; and,

FIG. 2 is a perspective view thereof.

In the drawings, the broken lines show environmental subject matter which forms no part of the claim.

1 Claim, 2 Drawing Sheets



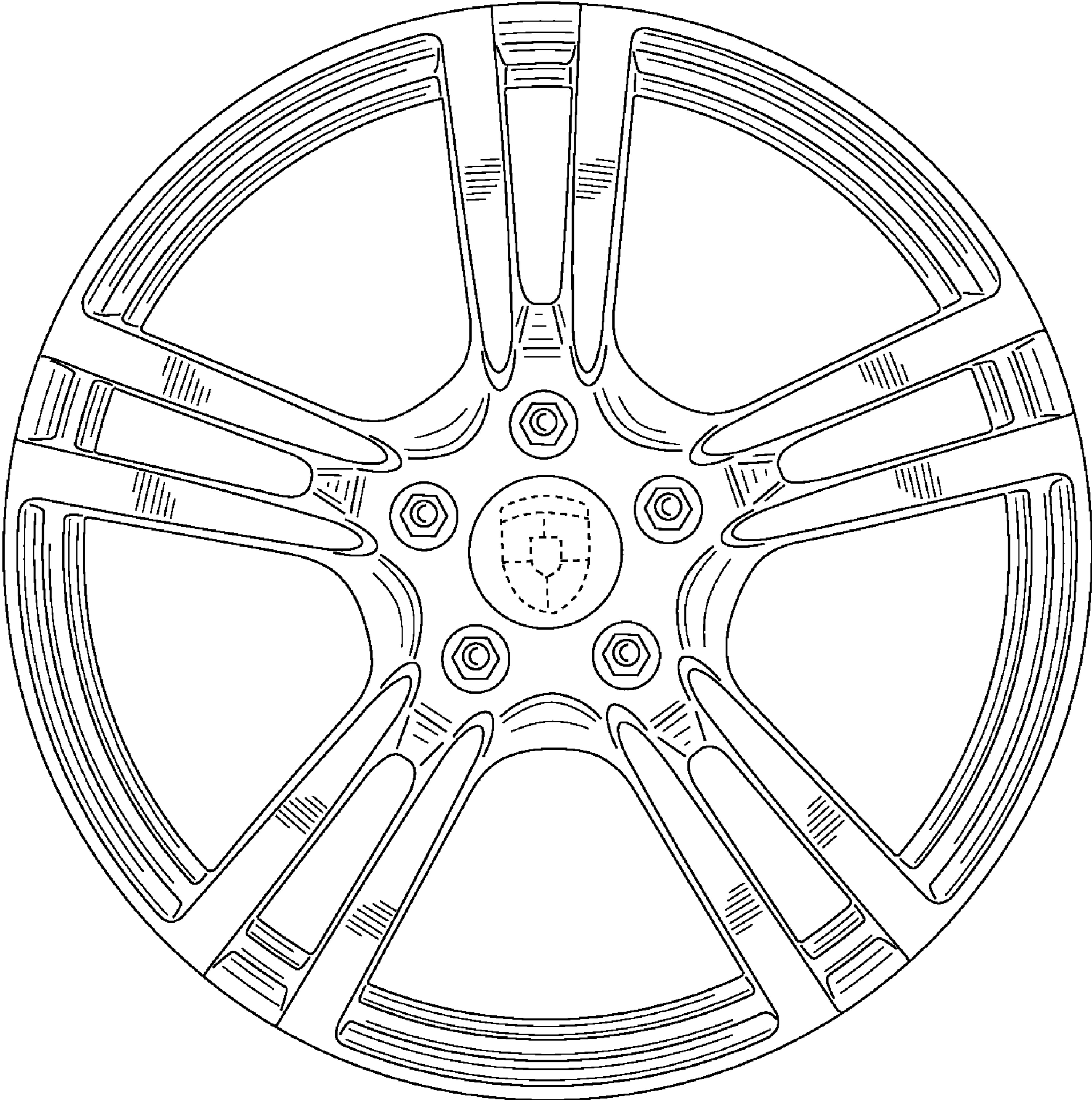


FIG. 1

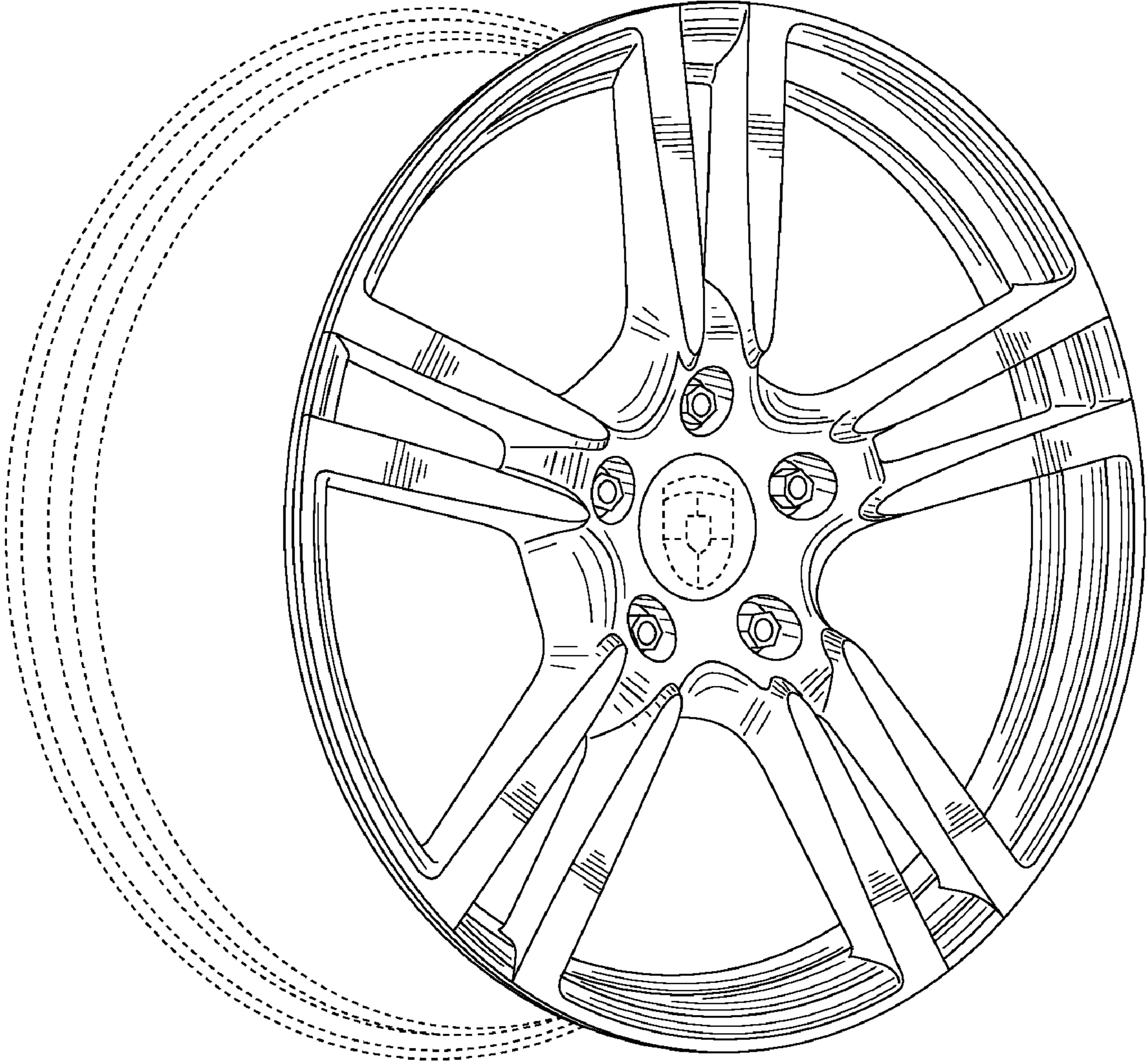


FIG. 2