



US00D620413S

(12) **United States Design Patent**
Huet

(10) **Patent No.:** **US D620,413 S**
(45) **Date of Patent:** **** Jul. 27, 2010**

(54) **REAR FENDER FOR A VEHICLE**

Primary Examiner—Melody N Brown
(74) *Attorney, Agent, or Firm*—Crowell & Moring LLP

(75) **Inventor:** **Jean-François Alexandre Huet**, Villers
Allerand (FR)

(57) **CLAIM**

(73) **Assignee:** **Bayerische Motoren Werke**
Aktiengesellschaft, Munich (DE)

The ornamental design for a rear fender for a vehicle, as shown and described.

(**) **Term:** **14 Years**

DESCRIPTION

(21) **Appl. No.:** **29/347,399**

This application contains subject matter related to the following pending U.S. design patent applications filed herewith:

(22) **Filed:** **Dec. 22, 2009**

Application Ser. No. 29/347,397;

(30) **Foreign Application Priority Data**

Application Ser. No. 29/347,404; and

Jul. 1, 2009 (DE) 402009003243

Application Ser. No. 29/347,403.

(51) **LOC (9) Cl.** **12-16**

FIG. 1 is a left perspective view of an embodiment of a rear fender for a vehicle according to my design;

(52) **U.S. Cl.** **D12/196; D12/184**

FIG. 2 is a right perspective view thereof;

(58) **Field of Classification Search** D12/184,
D12/196, 90-92; 280/152.1, 847-849, 851;
296/181.1, 181.5

FIG. 3 is a front view thereof;

See application file for complete search history.

FIG. 4 is a left side view thereof;

(56) **References Cited**

FIG. 5 is a right side view thereof; and

U.S. PATENT DOCUMENTS

FIG. 6 is a top view thereof.

D522,424 S	6/2006	Nordmann	
D566,027 S *	4/2008	Gavriles	D12/196
D580,838 S *	11/2008	Gabath et al.	D12/184
D583,286 S *	12/2008	Leclercq	D12/184
D597,004 S *	7/2009	Habib	D12/184
D605,101 S *	12/2009	Mueller	D12/196

FIG. 7 is a right perspective view of a second embodiment of the rear fender for a vehicle according to my design;

FIG. 8 is a left perspective view of FIG. 7;

FOREIGN PATENT DOCUMENTS

WO DM/065936 11/2004

FIG. 9 is a front view of FIG. 7;

FIG. 10 is a right side view of FIG. 7;

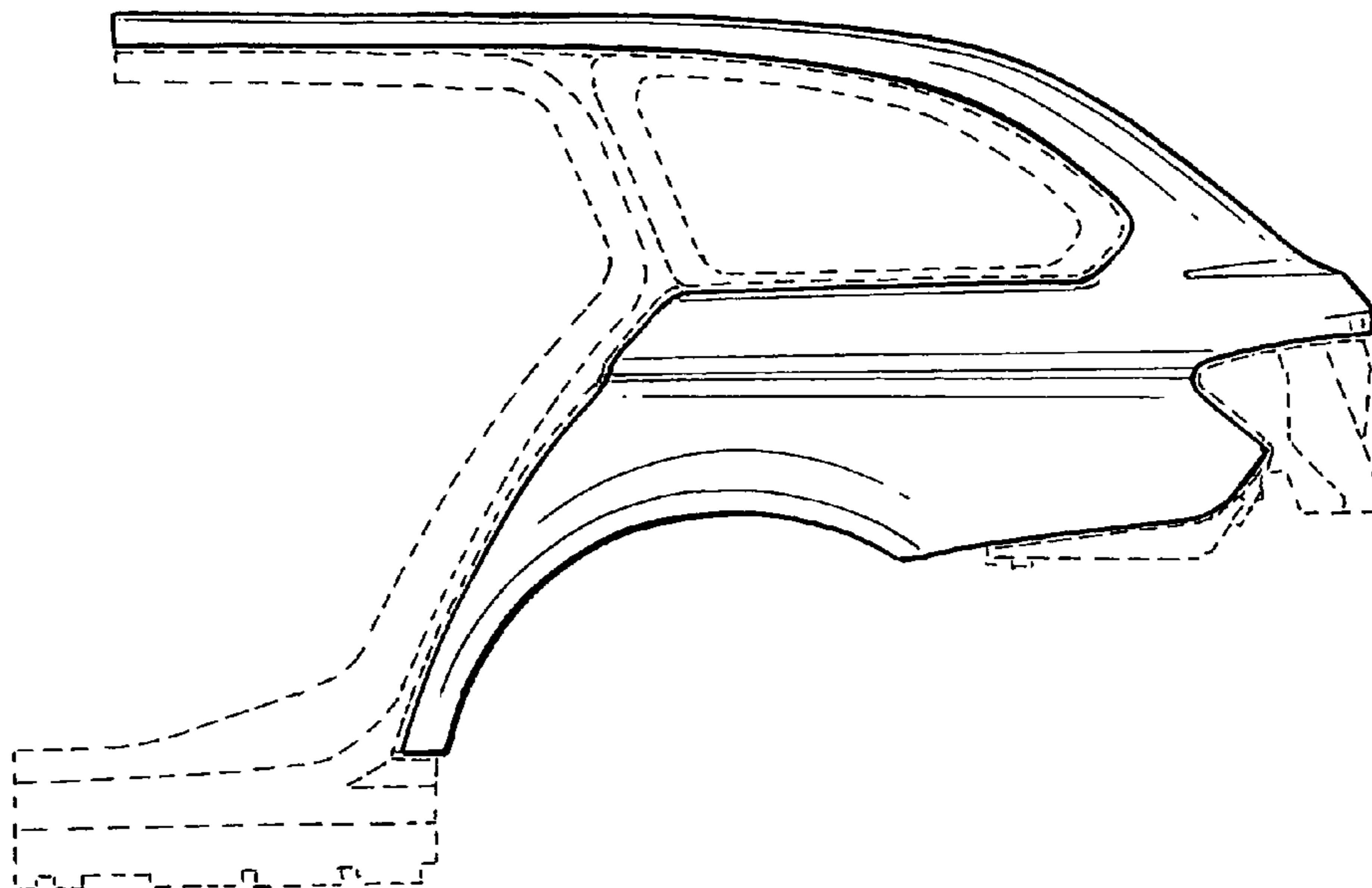
FIG. 11 is a left side view of FIG. 7; and,

FIG. 12 is a top view of FIG. 7.

The broken lines are for illustrative purposes only and form no part of the claimed design. Also enclosed is a set of photographs of an embodiment of the design.

* cited by examiner

1 Claim, 6 Drawing Sheets



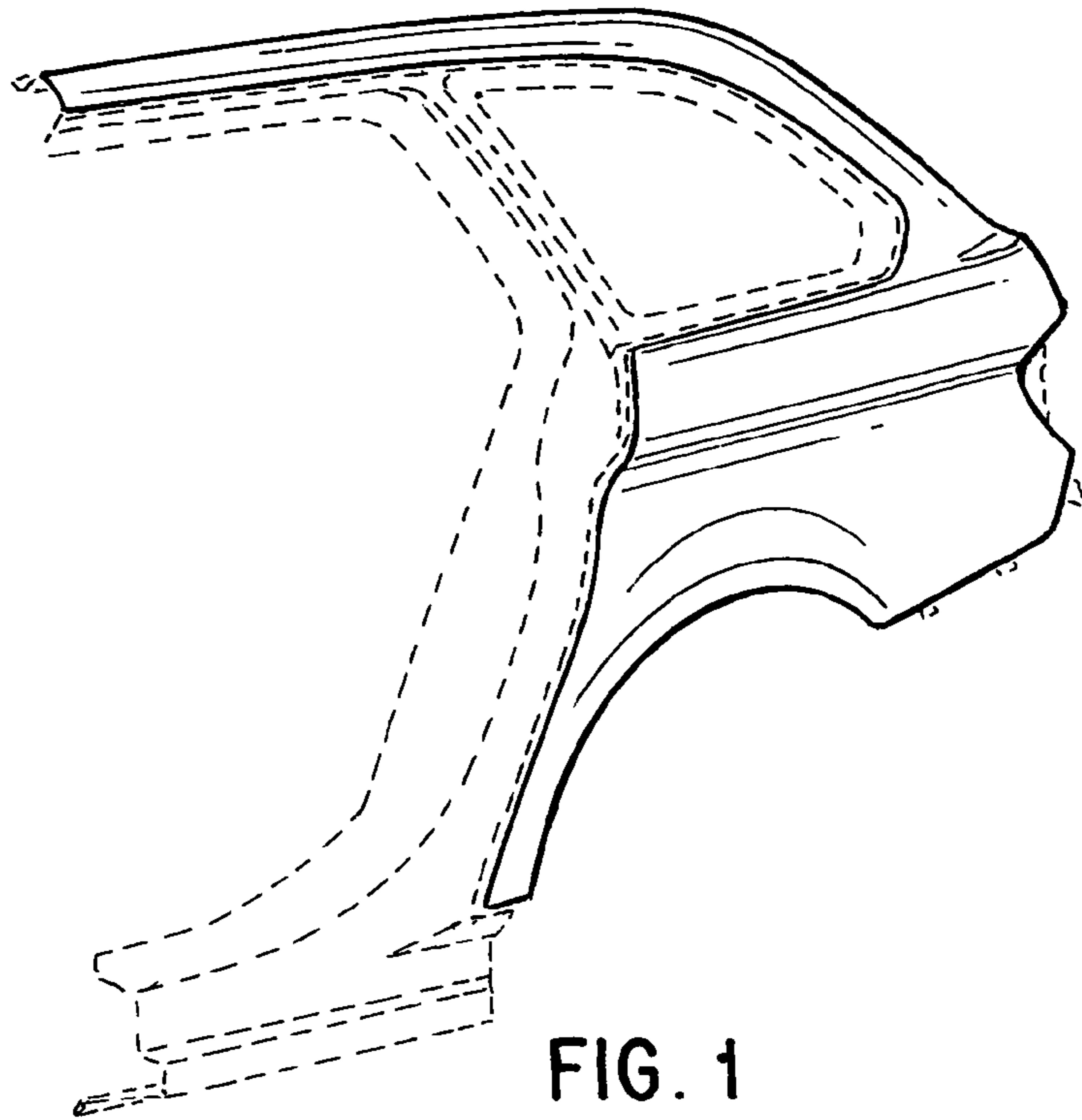


FIG. 1

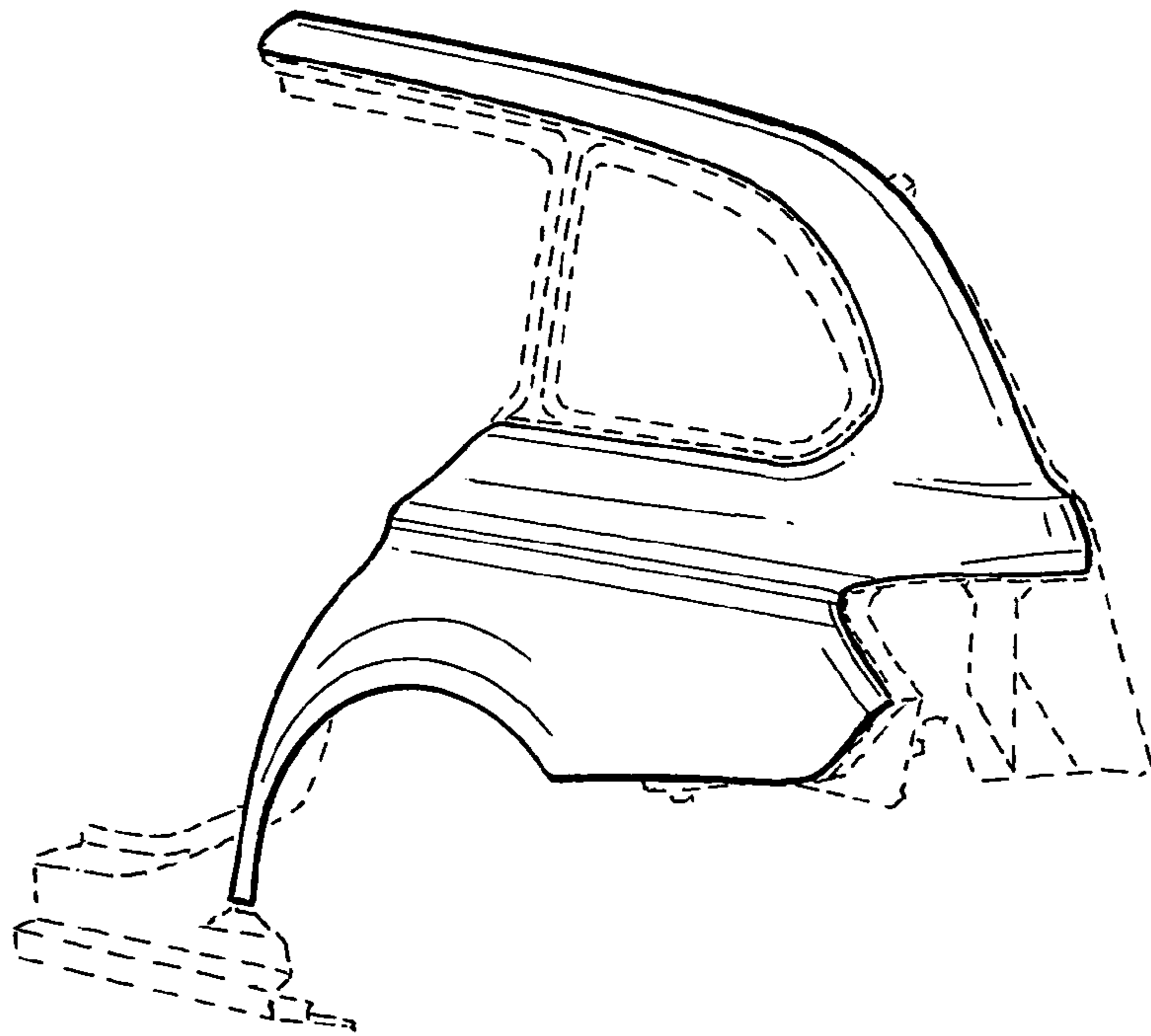
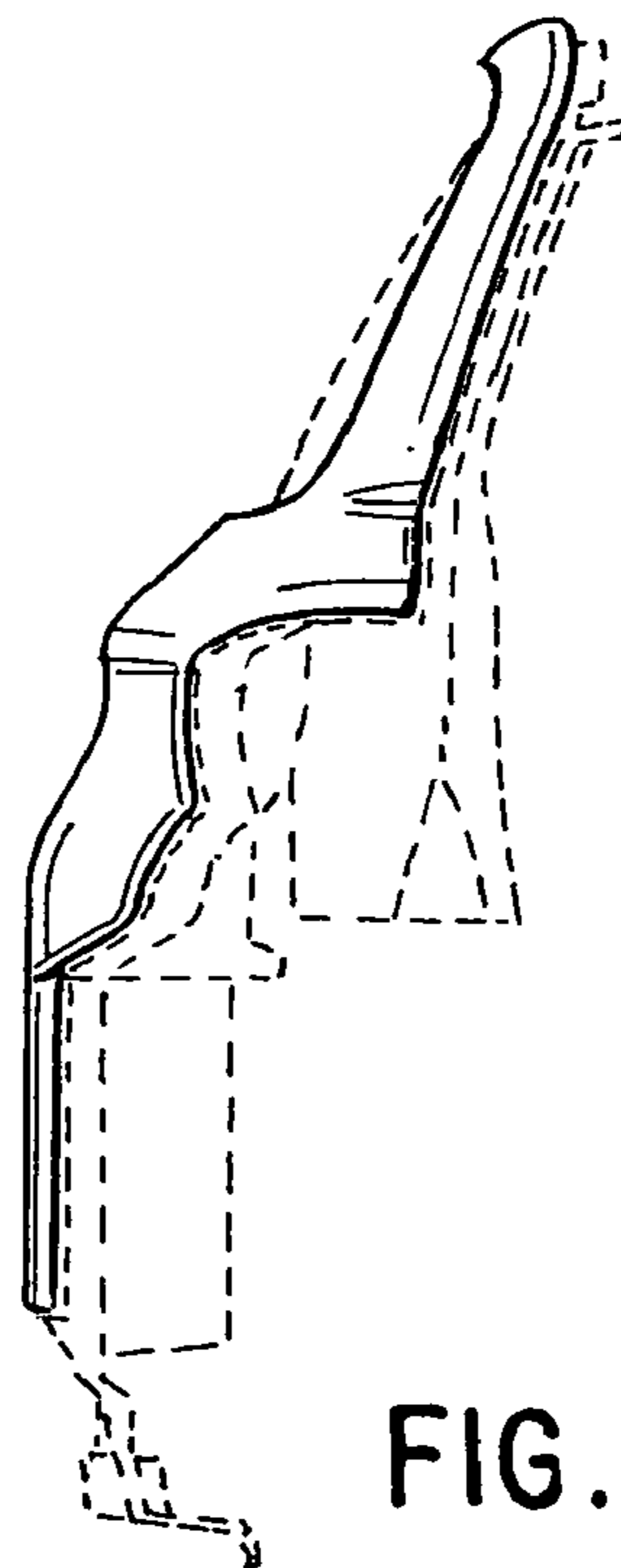
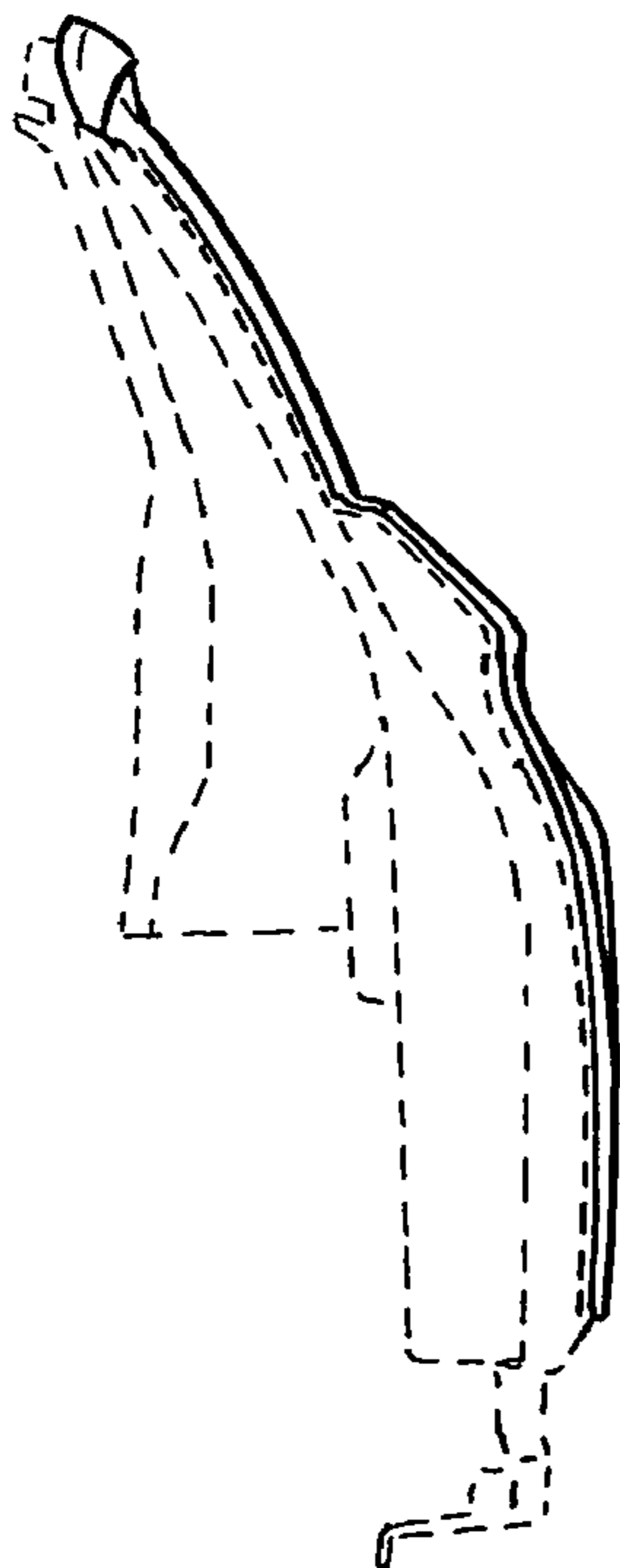
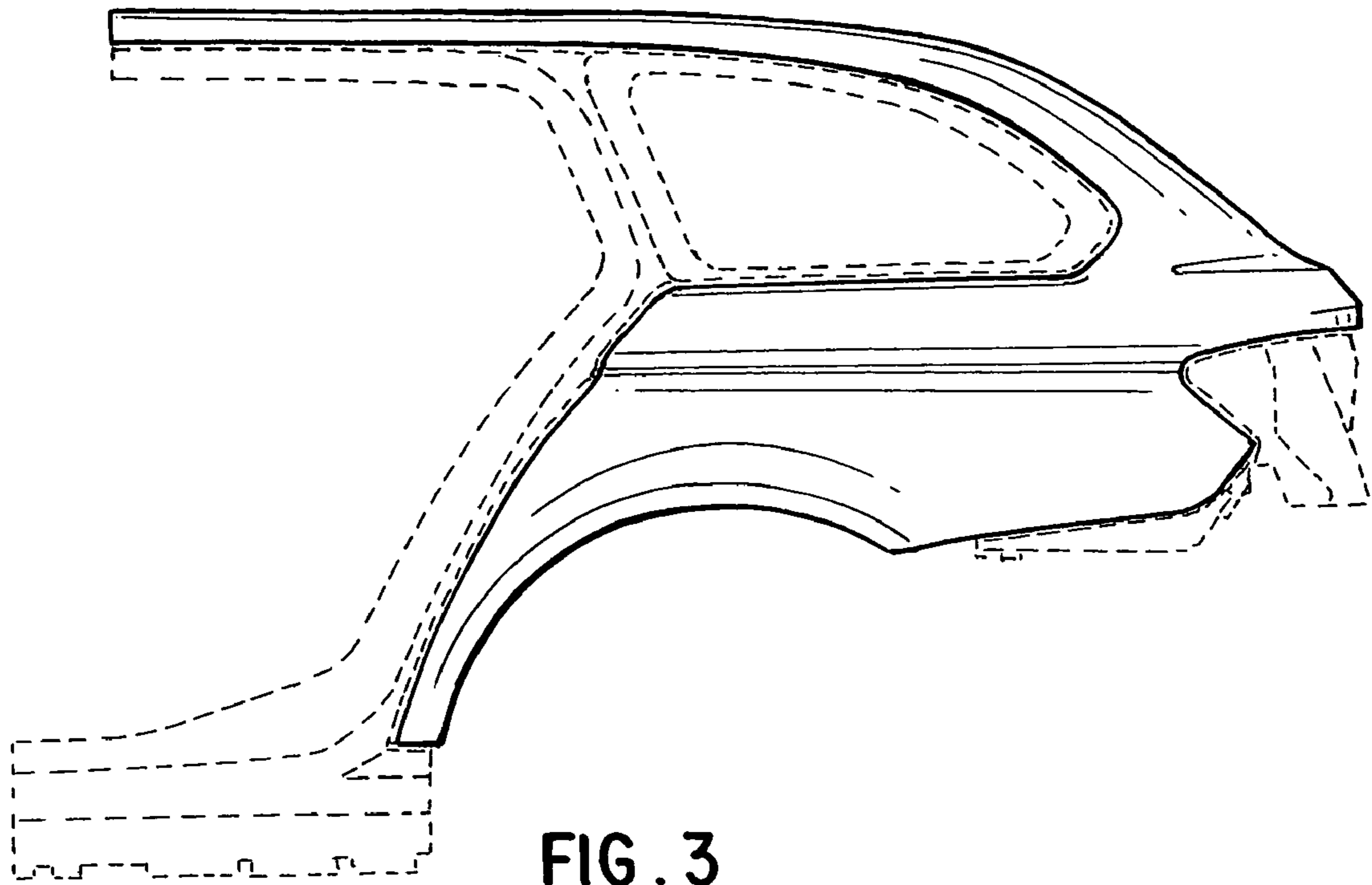


FIG. 2



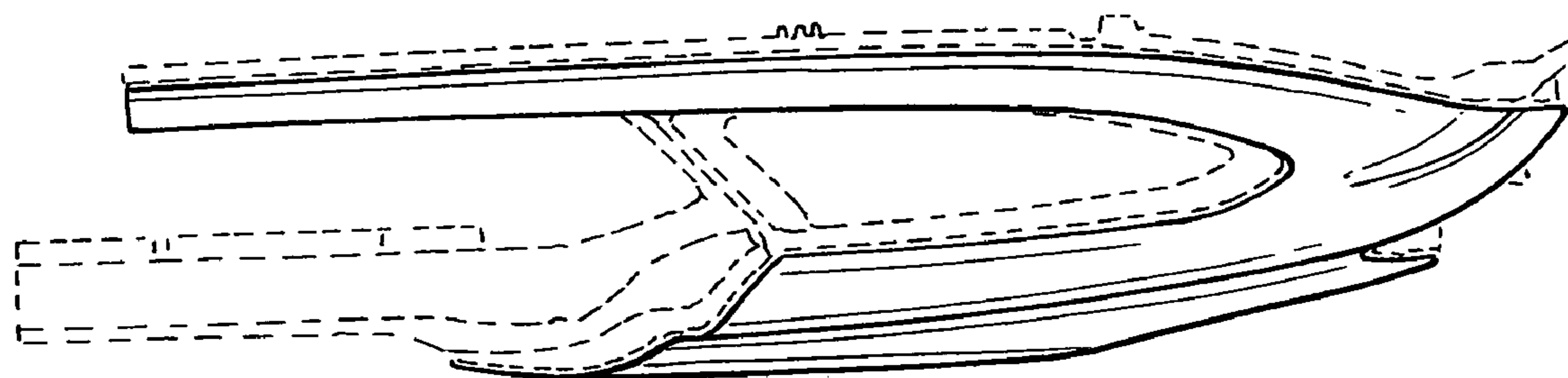


FIG. 6

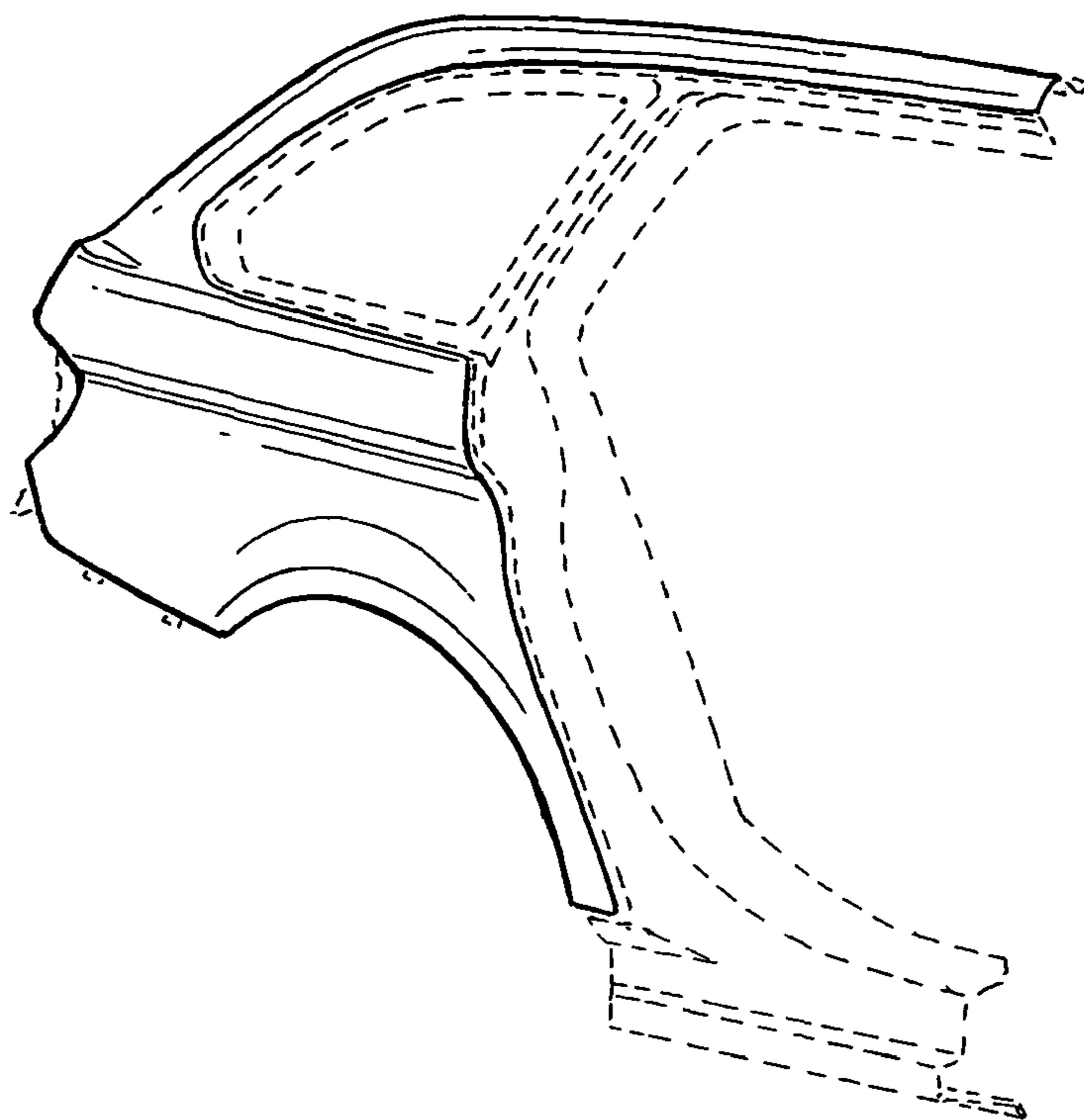


FIG. 7

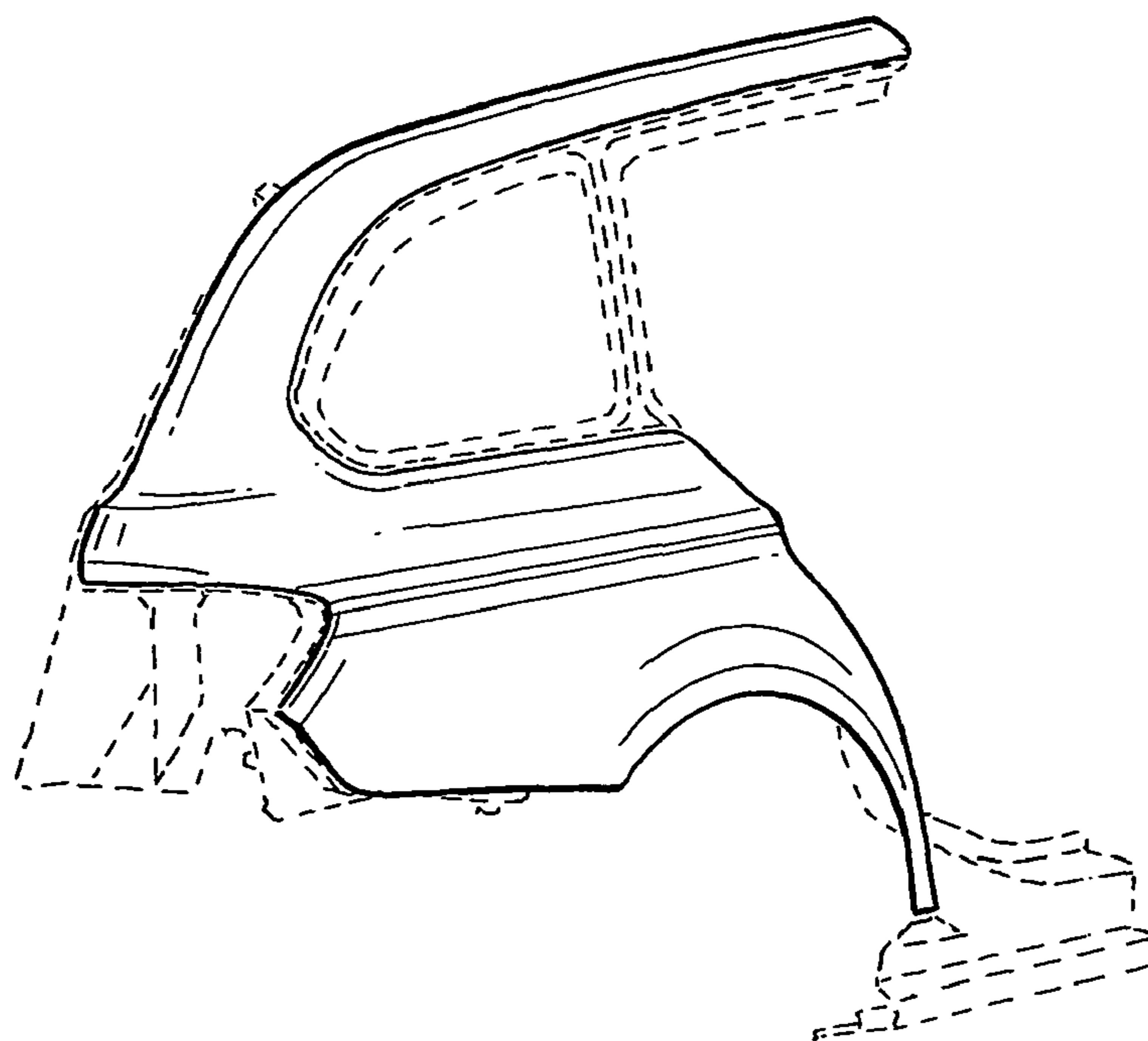


FIG . 8

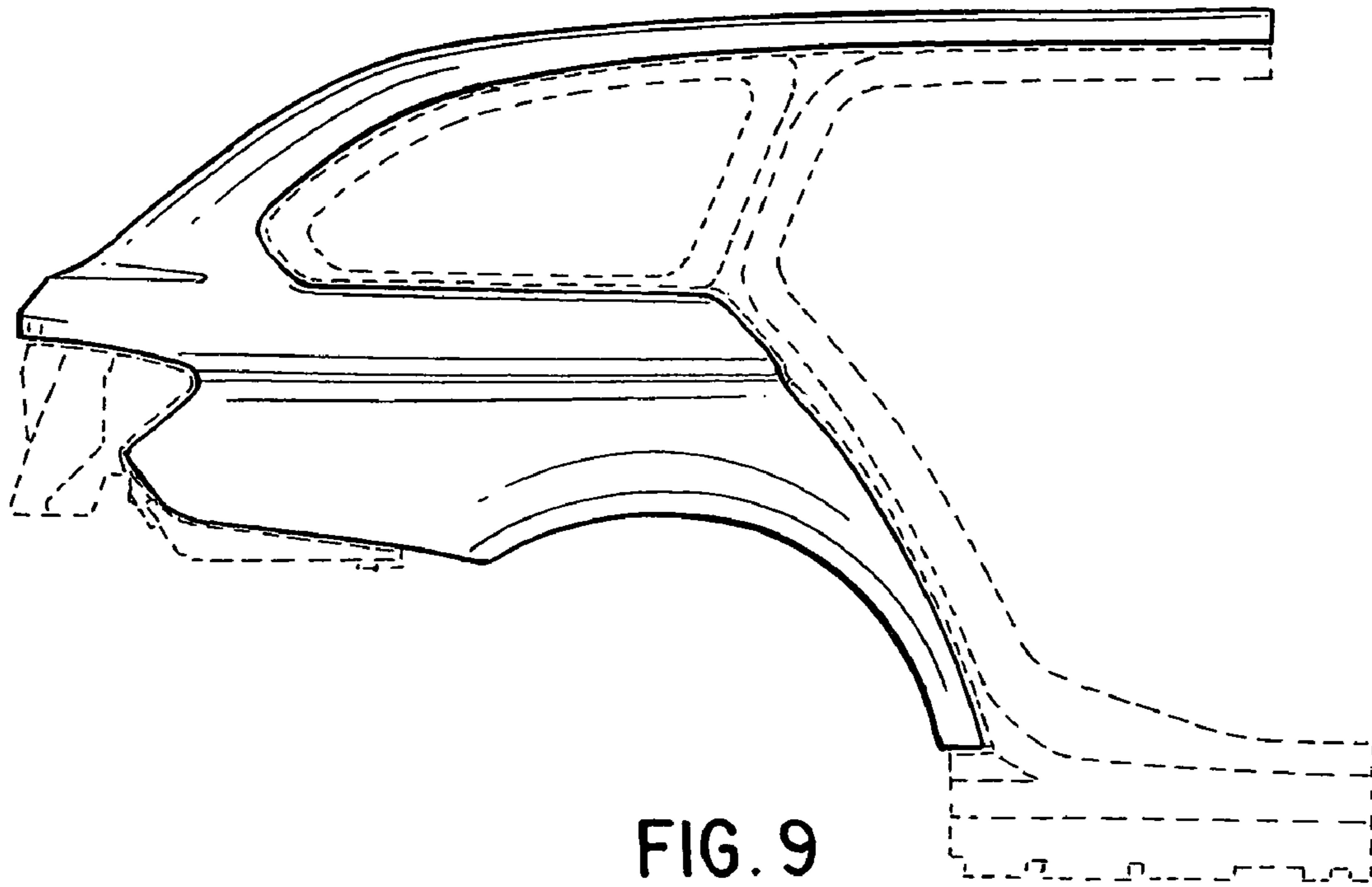


FIG. 9

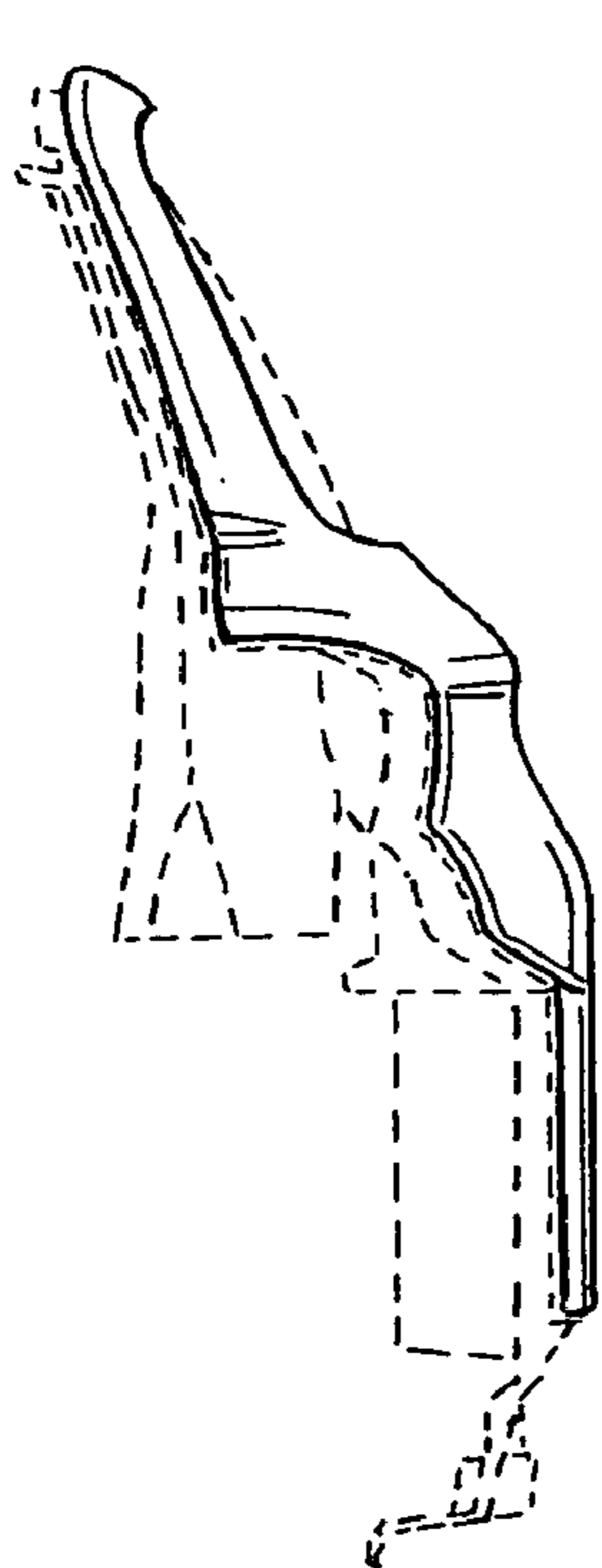


FIG. 11

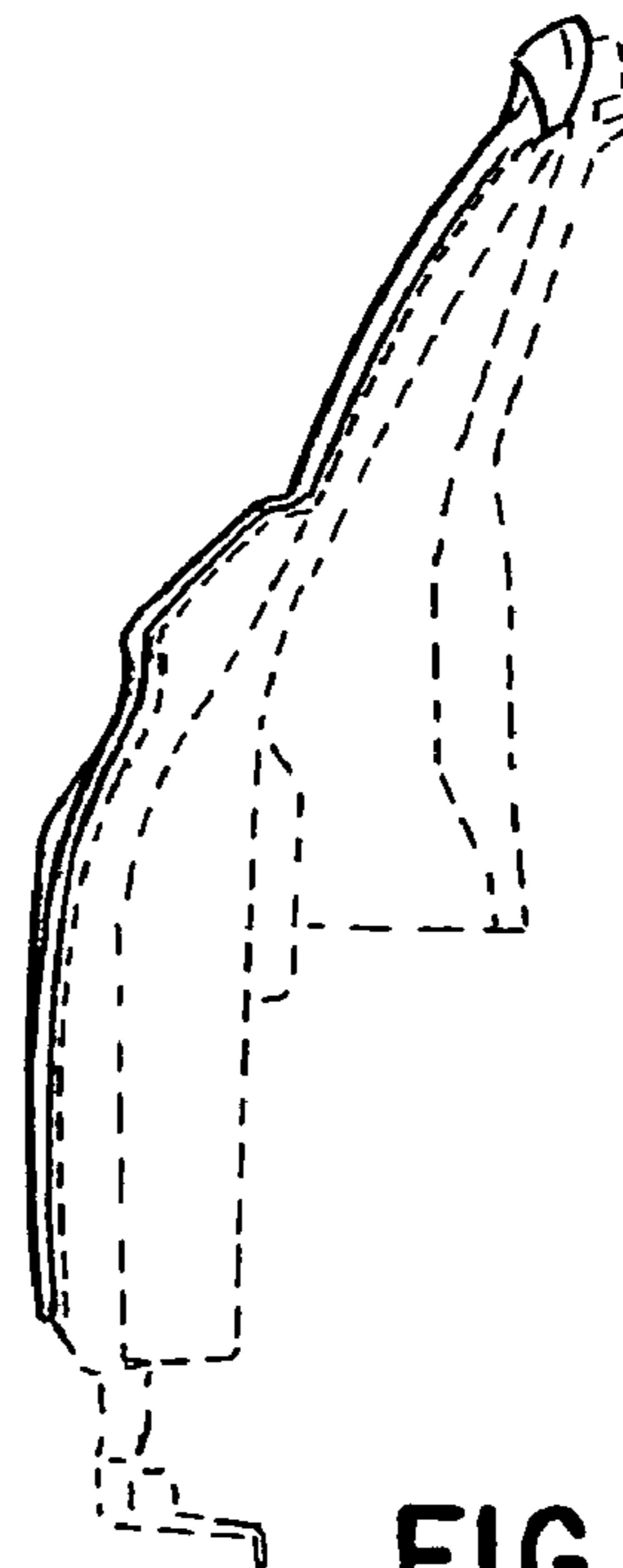


FIG. 10

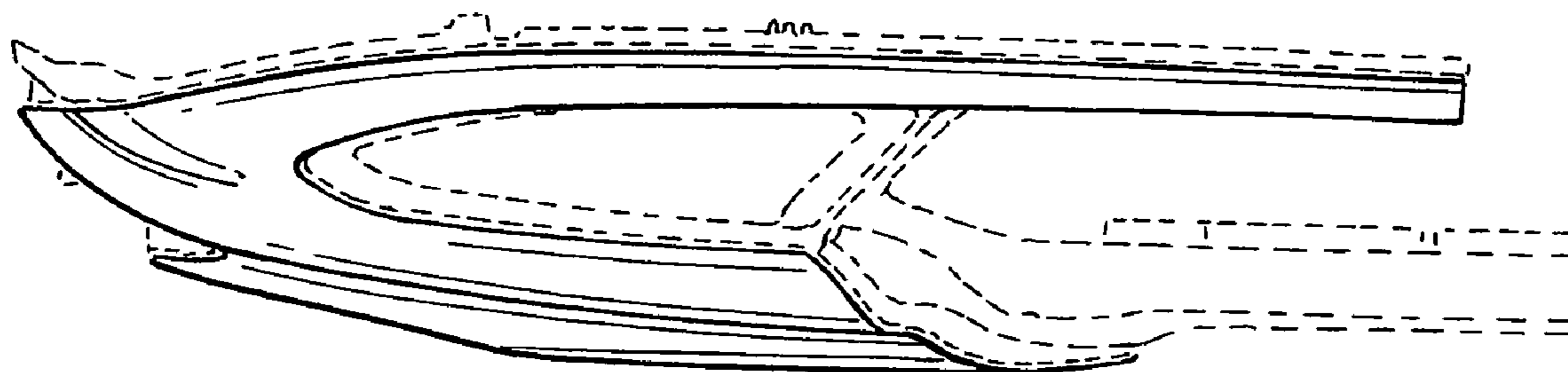


FIG. 12