



US00D620407S

(12) **United States Design Patent**  
**Froehlich**

(10) **Patent No.:** **US D620,407 S**  
(45) **Date of Patent:** **\*\* Jul. 27, 2010**

(54) **FRONT FENDER FOR A VEHICLE**

(75) Inventor: **Jacek Froehlich**, Munich (DE)

(73) Assignee: **Bayerische Motoren Werke Aktiengesellschaft**, Munich (DE)

(\*\*) Term: **14 Years**

(21) Appl. No.: **29/347,405**

(22) Filed: **Dec. 22, 2009**

(30) **Foreign Application Priority Data**

Jul. 1, 2009 (DE) ..... 402009003243

(51) **LOC (9) Cl.** ..... **12-16**

(52) **U.S. Cl.** ..... **D12/184; D12/196**

(58) **Field of Classification Search** ..... D12/184,  
D12/196, 90-92; 280/152.1, 847-849, 851;  
296/181.1, 181.5

See application file for complete search history.

(56) **References Cited**

**U.S. PATENT DOCUMENTS**

D526,257 S *	8/2006	Konaka	.....	D12/184
D542,200 S *	5/2007	Levy	.....	D12/184
D561,668 S *	2/2008	Suzuki et al.	.....	D12/184
D593,915 S *	6/2009	Habib	.....	D12/184
D597,459 S *	8/2009	Wagner et al.	.....	D12/184
D598,347 S *	8/2009	Maffin et al.	.....	D12/184
D607,798 S	1/2010	Weil		
D609,150 S *	2/2010	Kruger et al.	.....	D12/184

**FOREIGN PATENT DOCUMENTS**

WO DM/070649 3/2009

\* cited by examiner

*Primary Examiner*—Melody N Brown  
(74) *Attorney, Agent, or Firm*—Crowell & Moring LLP

(57) **CLAIM**

The ornamental design for a front fender for a vehicle, as shown and described.

**DESCRIPTION**

This application contains subject matter related to the following pending U.S. design patent applications filed herewith:

U.S. application Ser. No. 29/347,397; and

U.S. application Ser. No. 29/347,403.

FIG. 1 is a left perspective view of a embodiment of a front fender for a vehicle according to my design;

FIG. 2 is a right perspective view thereof;

FIG. 3 is a front view thereof;

FIG. 4 is a left side view thereof;

FIG. 5 is a right side view thereof;

FIG. 6 is a top view thereof; and

FIG. 7 is a bottom view thereof.

FIG. 8 is a right perspective view of a second embodiment of the front fender for a vehicle according to my design;

FIG. 9 is a left perspective view of FIG. 8;

FIG. 10 is a front view of FIG. 8;

FIG. 11 is a right side view of FIG. 8;

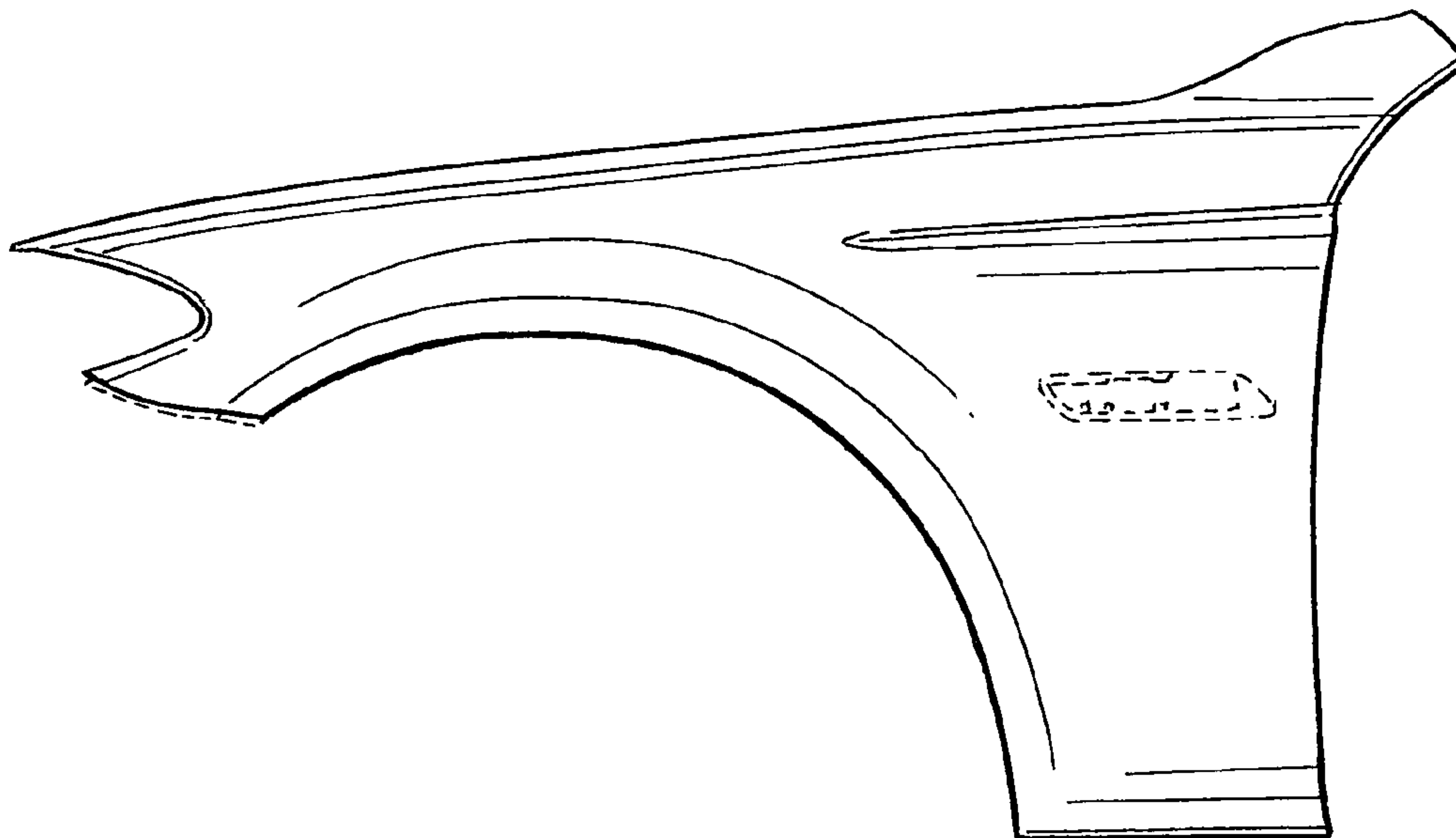
FIG. 12 is a left side view of FIG. 8;

FIG. 13 is a top view of FIG. 8; and,

FIG. 14 is a bottom view of FIG. 8.

The broken lines are for illustrative purposes only and form no part of the claimed design.

**1 Claim, 6 Drawing Sheets**



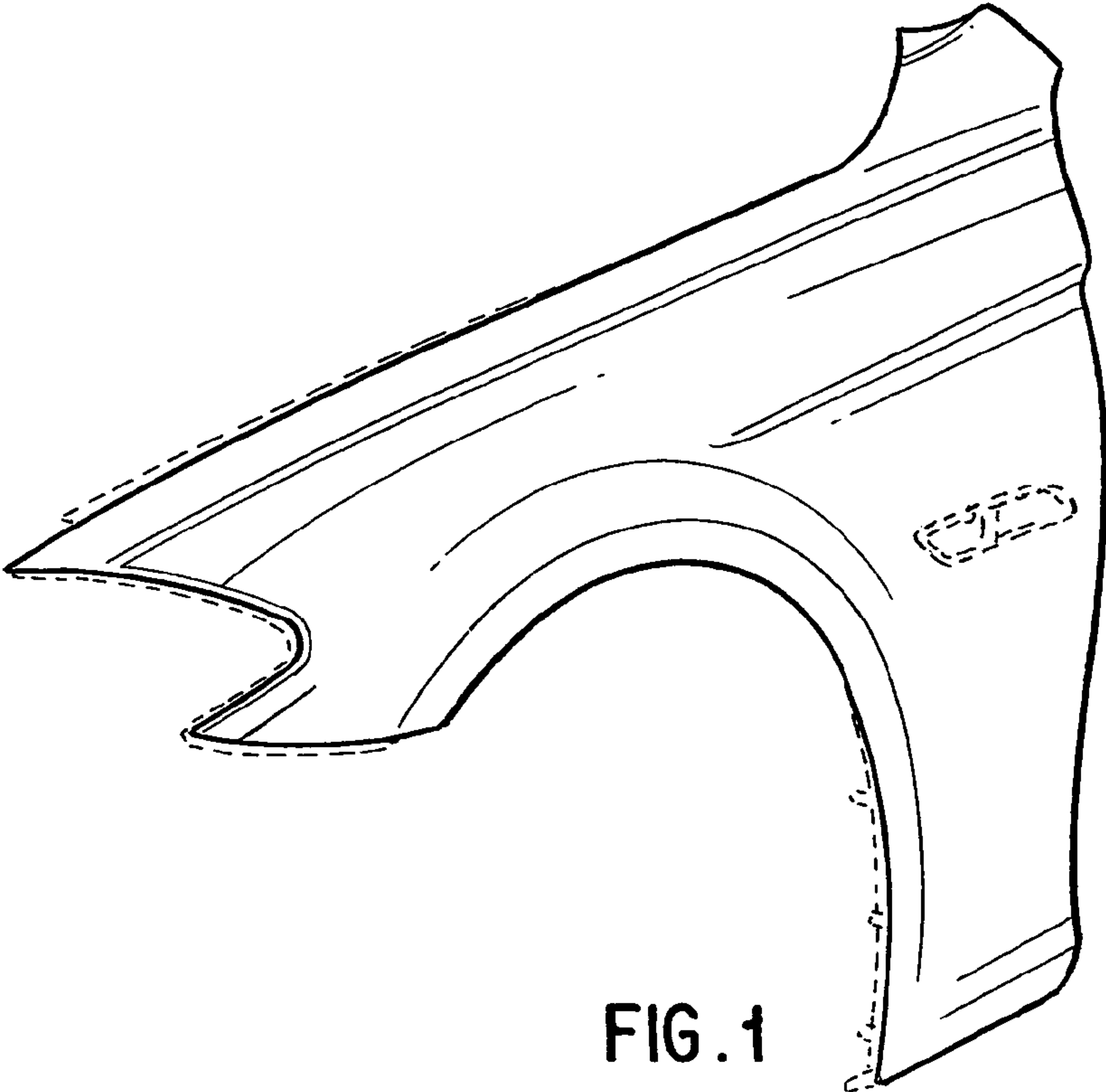


FIG. 1

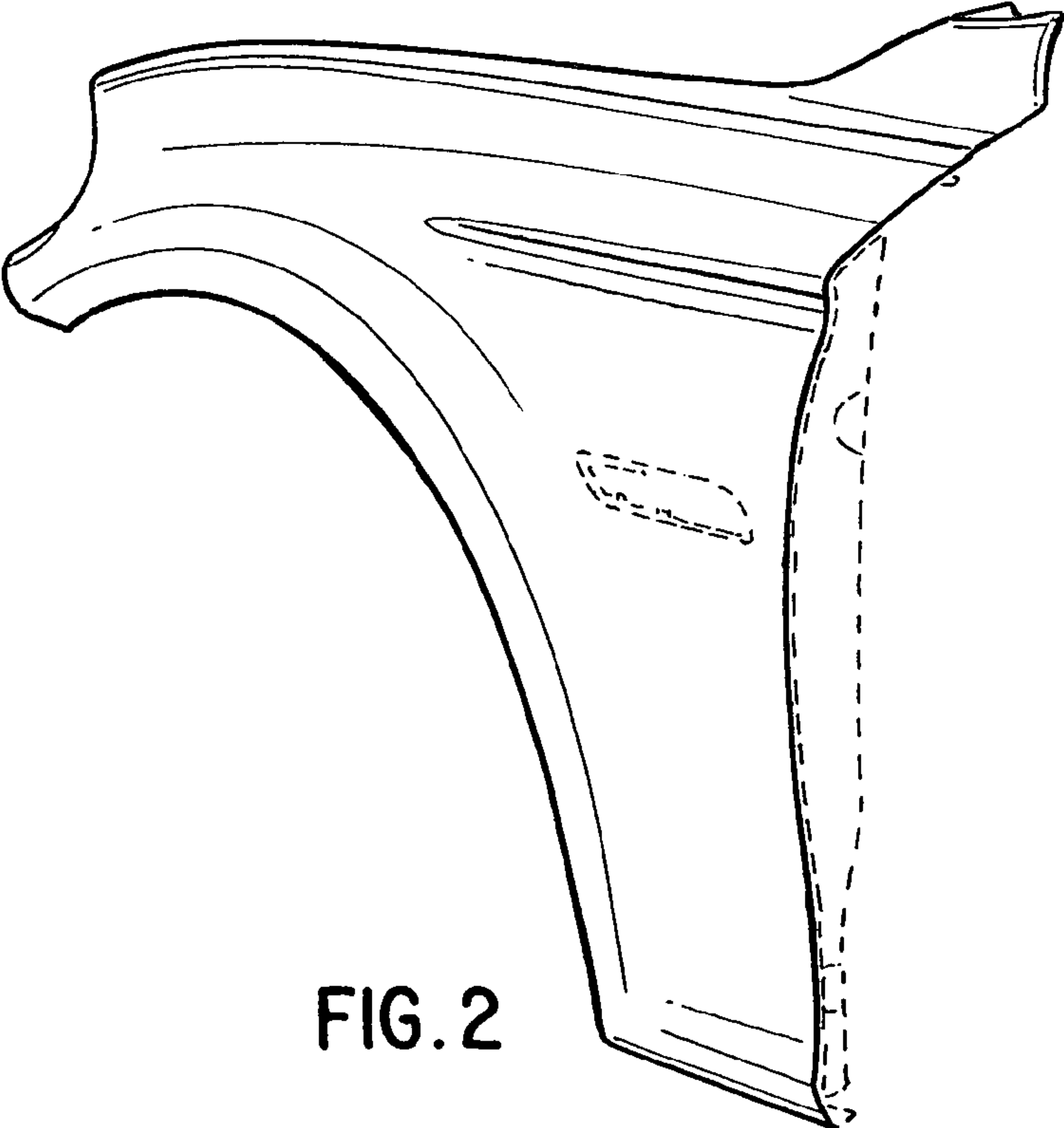


FIG. 2

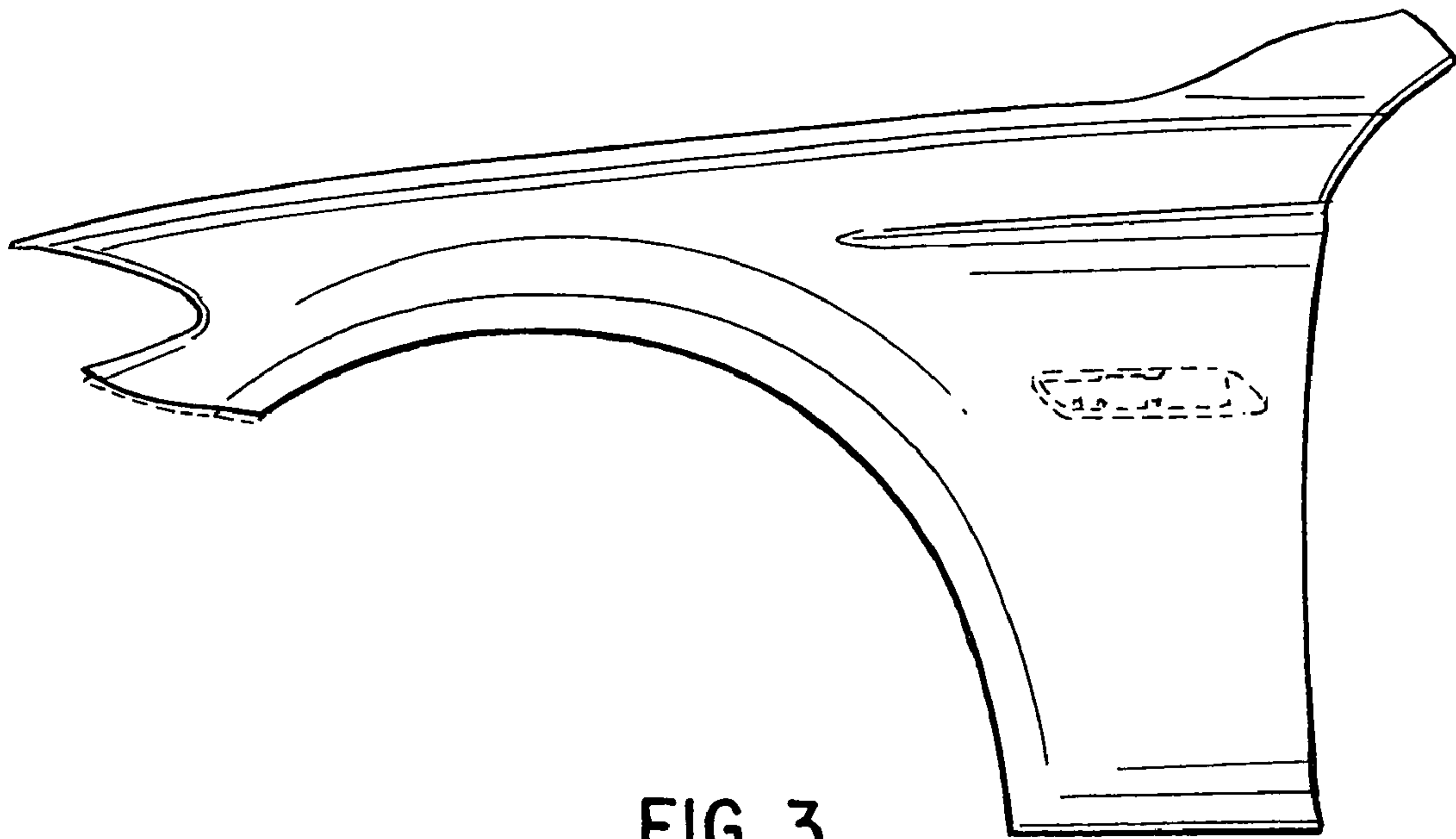


FIG. 3

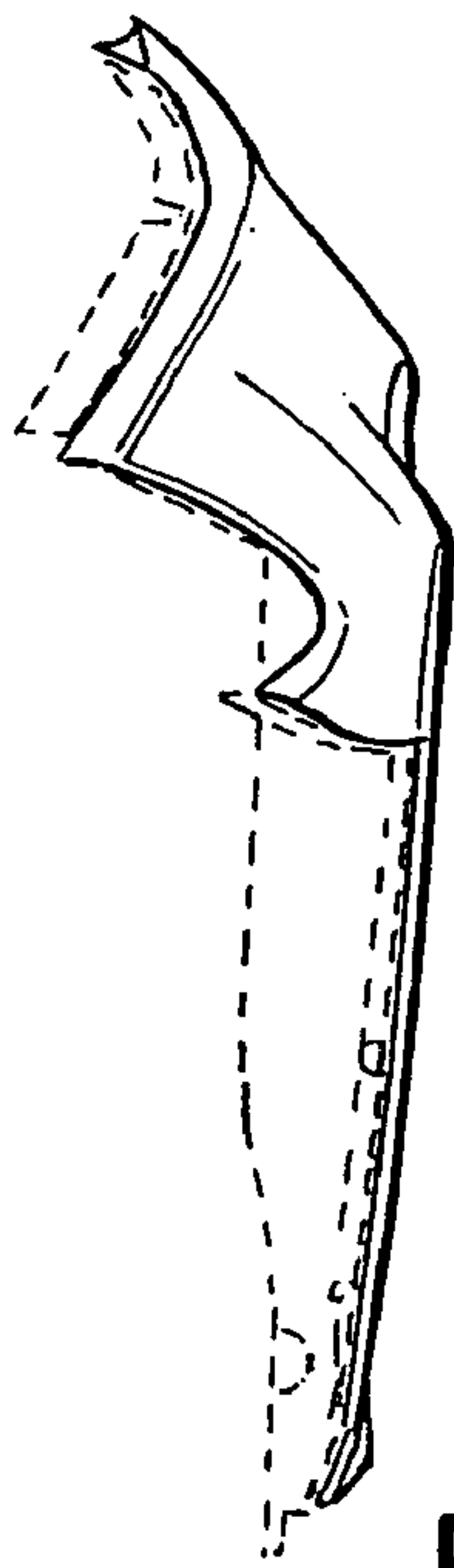


FIG. 4

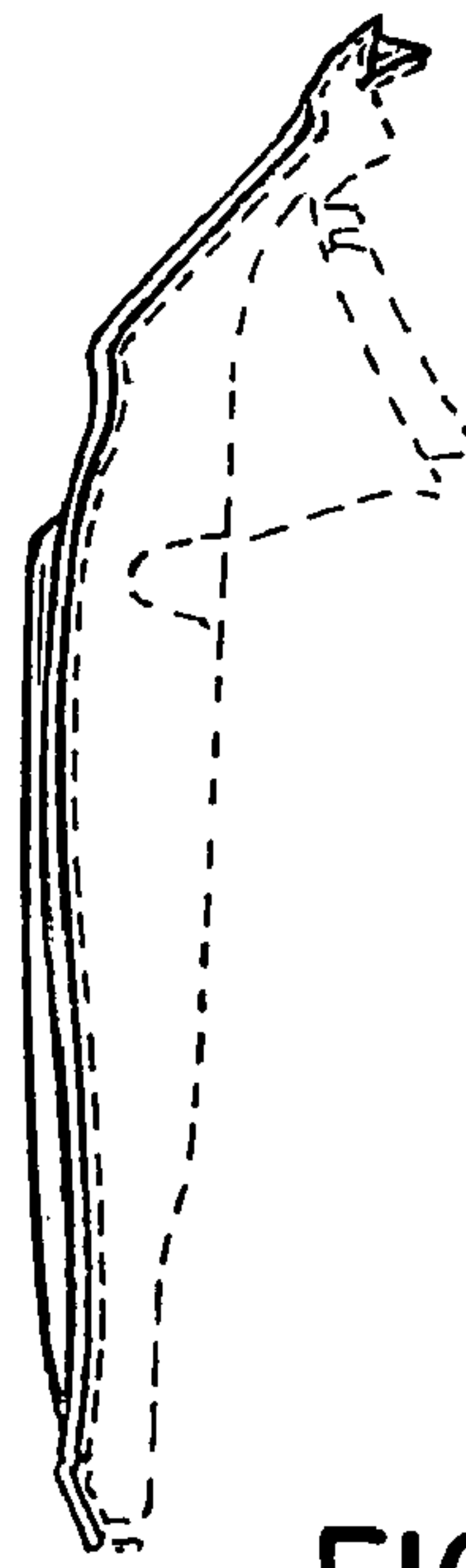


FIG. 5

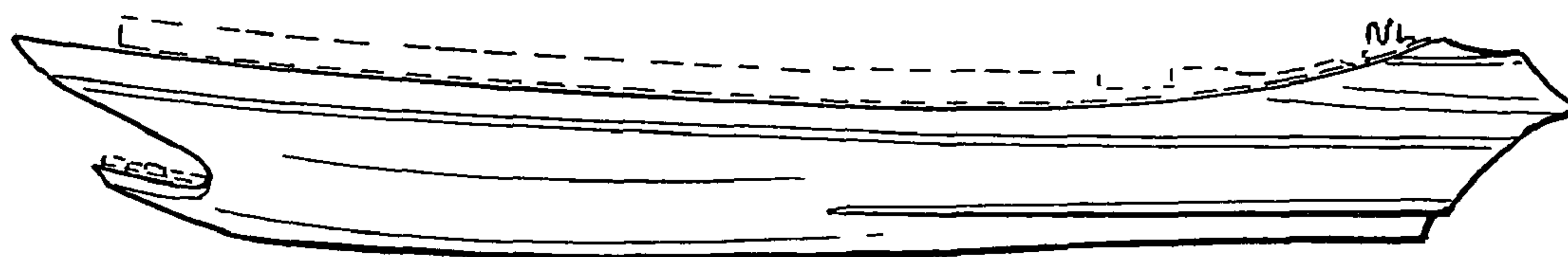


FIG . 6

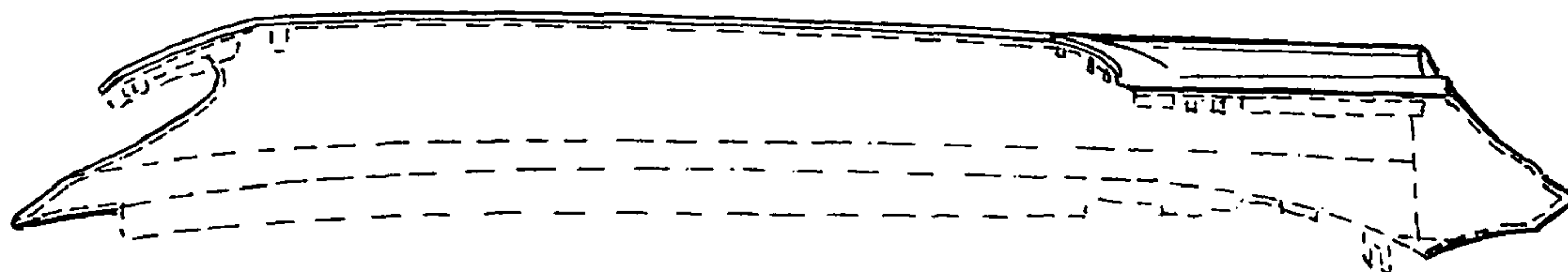
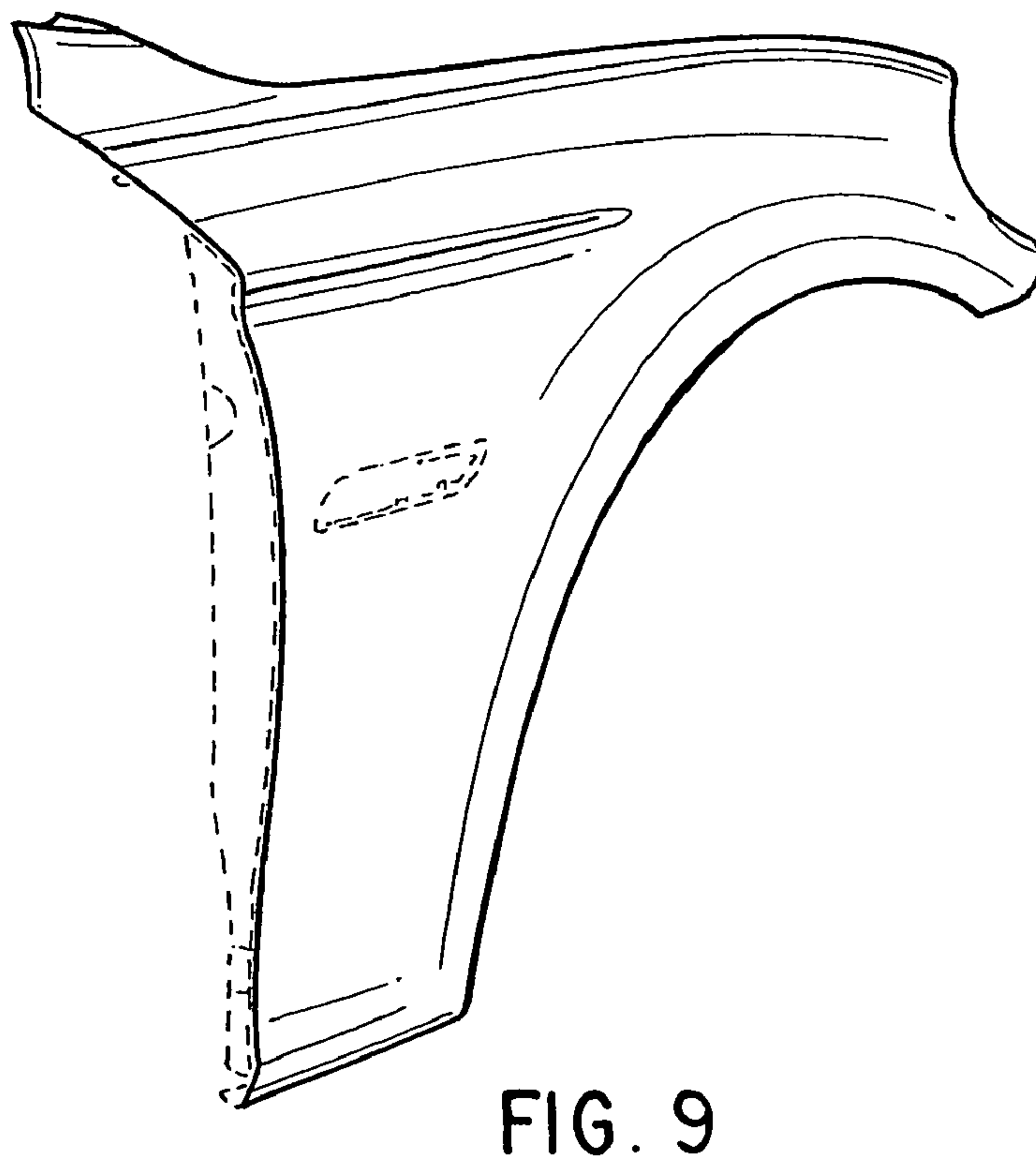
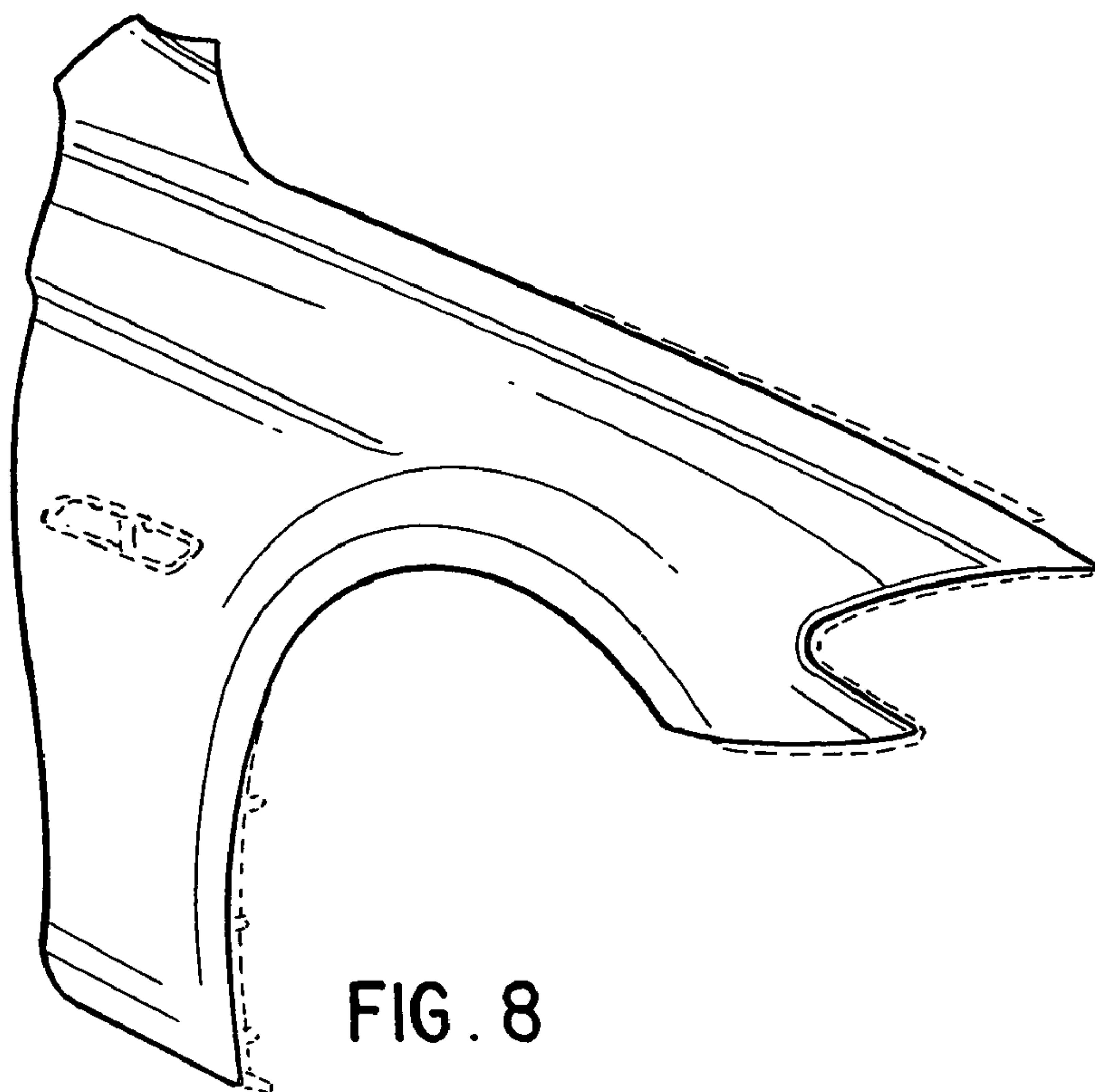


FIG . 7



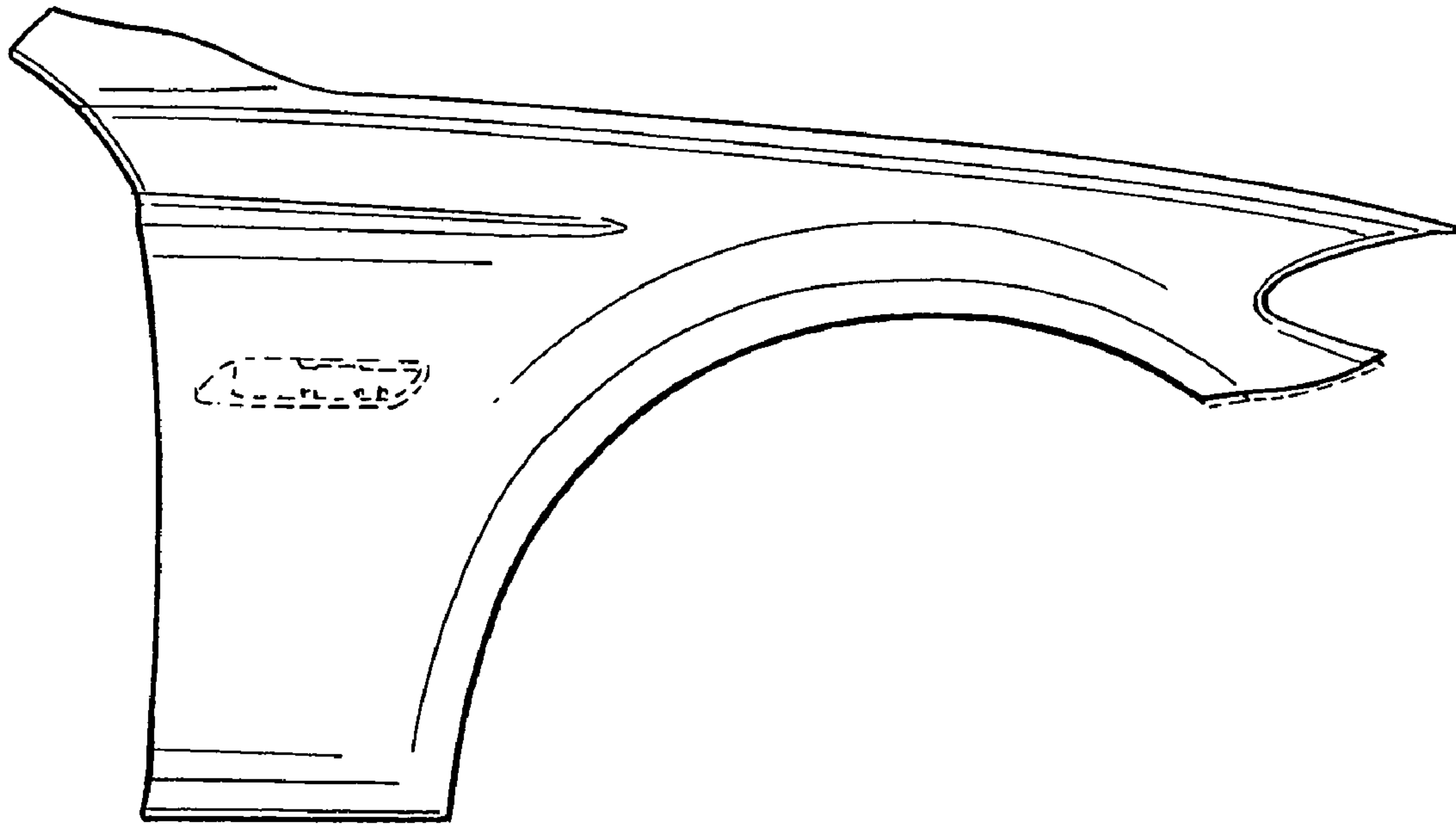


FIG. 10

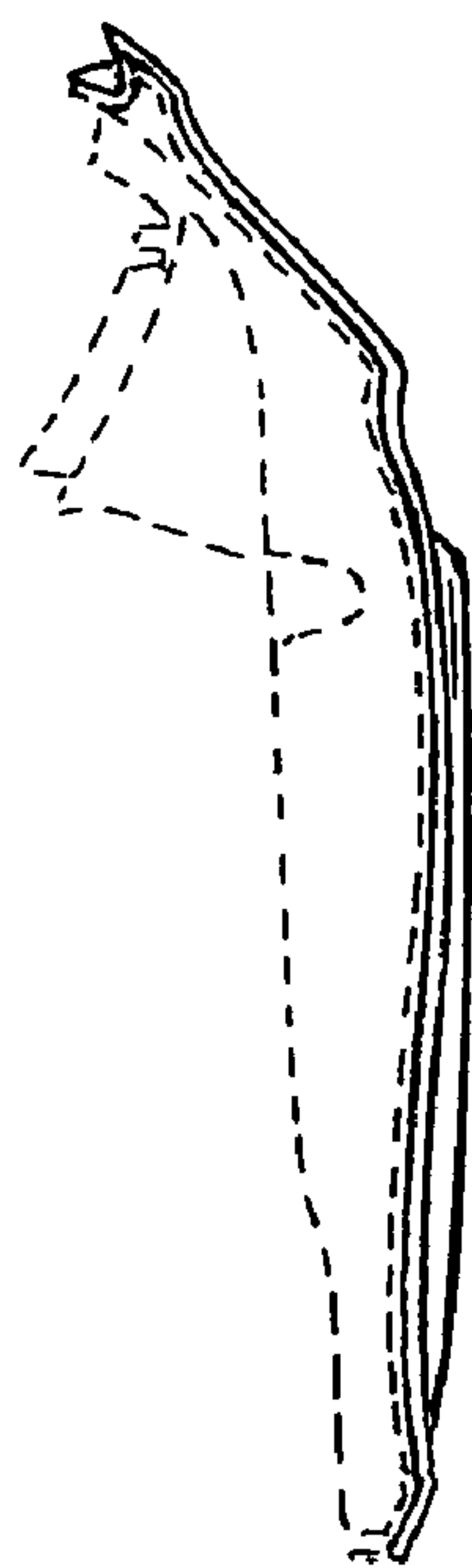


FIG. 12

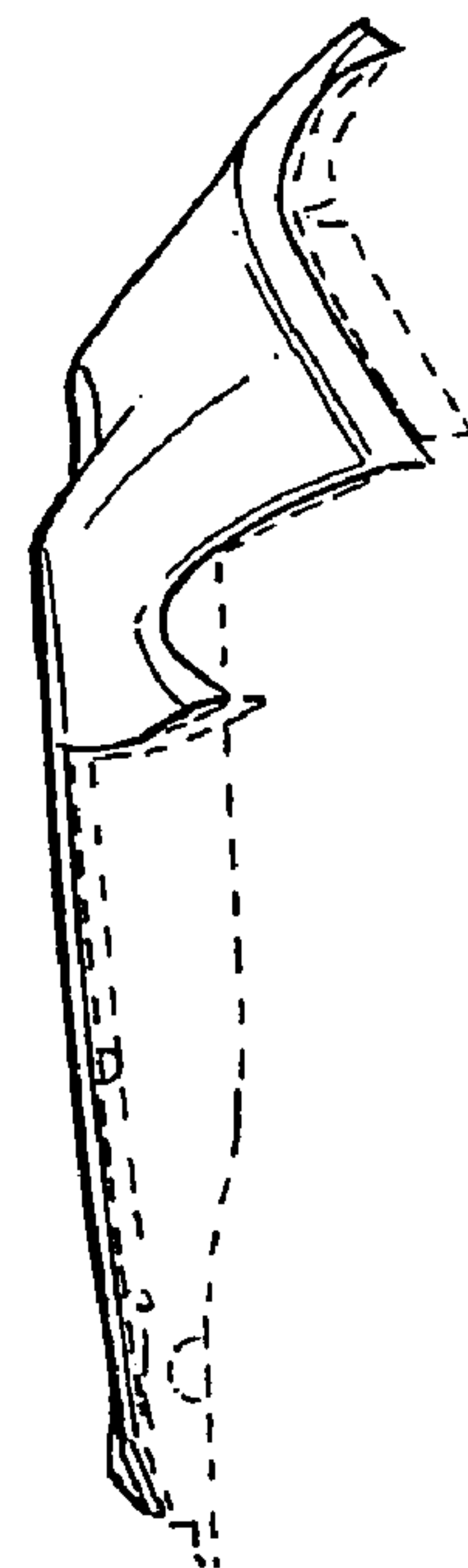


FIG. 11



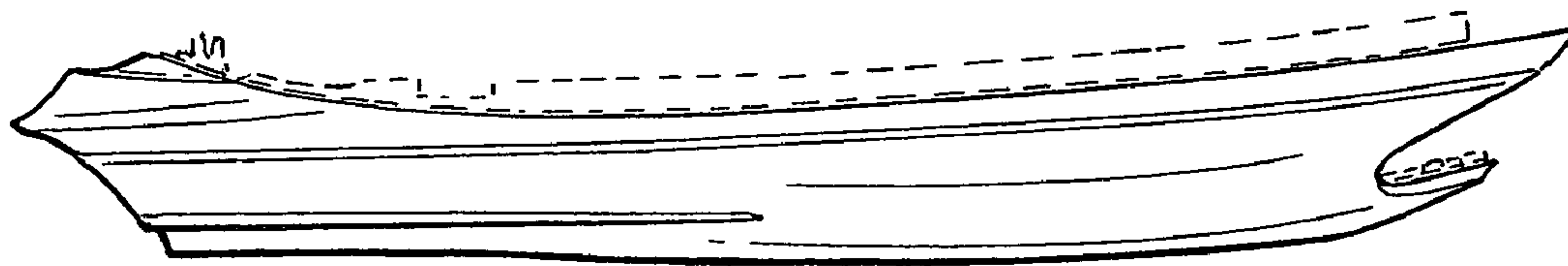


FIG. 13

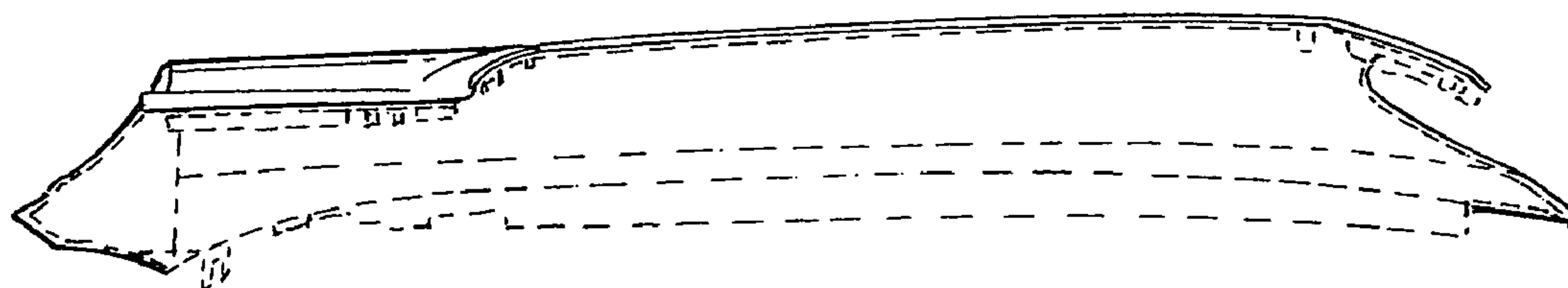


FIG. 14