



US00D620405S

(12) **United States Design Patent**  
**Yeung**

(10) **Patent No.:** **US D620,405 S**

(45) **Date of Patent:** **\*\* \*Jul. 27, 2010**

(54) **AUTOMOTIVE STEERING COLUMN COVER**

(76) **Inventor:** **Winston Yeung**, 1726 Ross Road, North Vancouver, BC (CA) V7J 2V4

(\*\*) **Term:** **14 Years**

(21) **Appl. No.:** **29/338,097**

(22) **Filed:** **Jun. 4, 2009**

(51) **LOC (9) Cl.** ..... **12-16**

(52) **U.S. Cl.** ..... **D12/177**

(58) **Field of Classification Search** ..... D12/175-177,  
D12/192, 317, 345; D10/46, 98, 102, 103,  
D10/106; D15/17, 28; 73/431, 866.3; 180/90;  
200/61.54-61.57, 1 R, 5 R, 51.02-51.06,  
200/293, 295; 280/750-752; 296/190.01-190.09,  
296/70; 362/482, 489; 439/76.1, 206, 519,  
439/521, 520

See application file for complete search history.

(56) **References Cited**

**U.S. PATENT DOCUMENTS**

D288,430 S	2/1987	Cornwell	
D478,297 S	8/2003	Cadotte et al.	
D478,832 S	8/2003	Dipple	
D480,341 S	10/2003	Day	
D489,661 S	5/2004	McPeck et al.	
D491,825 S	6/2004	Day et al.	
D492,213 S	6/2004	Day et al.	
D512,357 S	12/2005	Schuttera	
7,180,020 B2*	2/2007	Onoda et al.	..... 200/61.54

D538,720 S *	3/2007	Yeung	..... D12/192
D593,913 S *	6/2009	Yeung	..... D12/177
D593,914 S *	6/2009	Yeung	..... D12/177
7,595,457 B2*	9/2009	Heite et al.	..... 200/61.54

\* cited by examiner

*Primary Examiner*—Melody N Brown

(74) *Attorney, Agent, or Firm*—C. Larry Kyle; Nexus Law Group LLP

(57) **CLAIM**

The ornamental design for an automotive steering column cover, as shown and described.

**DESCRIPTION**

FIG. 1 is a front, top right perspective view of my automotive steering column cover;

FIG. 2 is a front view thereof;

FIG. 3 is a rear view thereof;

FIG. 4 is a top view thereof;

FIG. 5 is a bottom view thereof;

FIG. 6 is a right side view thereof;

FIG. 7 is a left side view thereof;

FIG. 8 is a perspective view thereof from the top rear; and,

FIG. 9 is a perspective view thereof from the bottom rear.

The broken lines showing in FIGS. 1-9 are for illustrative purposes only and form no part of the claimed design.

**1 Claim, 5 Drawing Sheets**

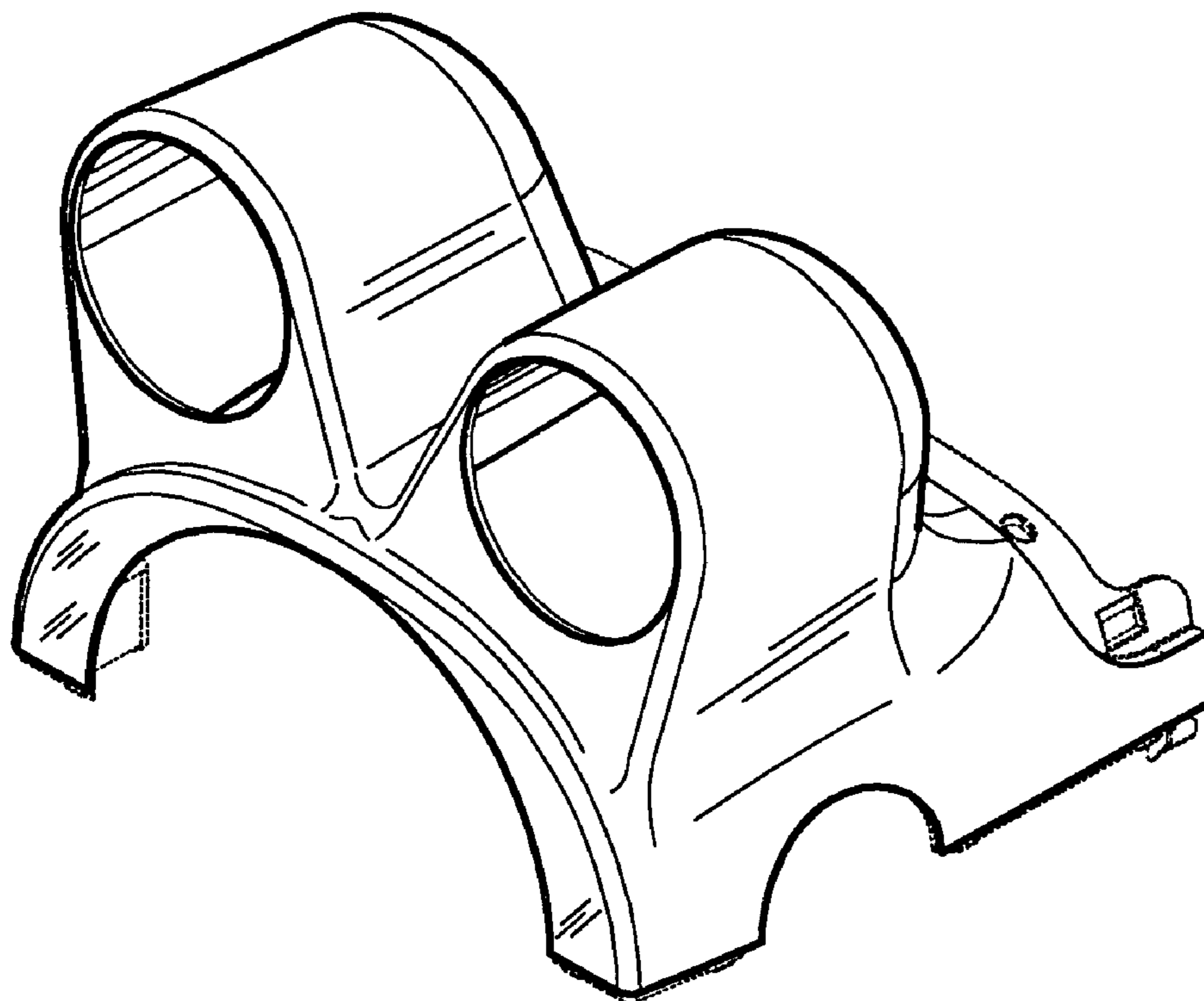


FIGURE-1

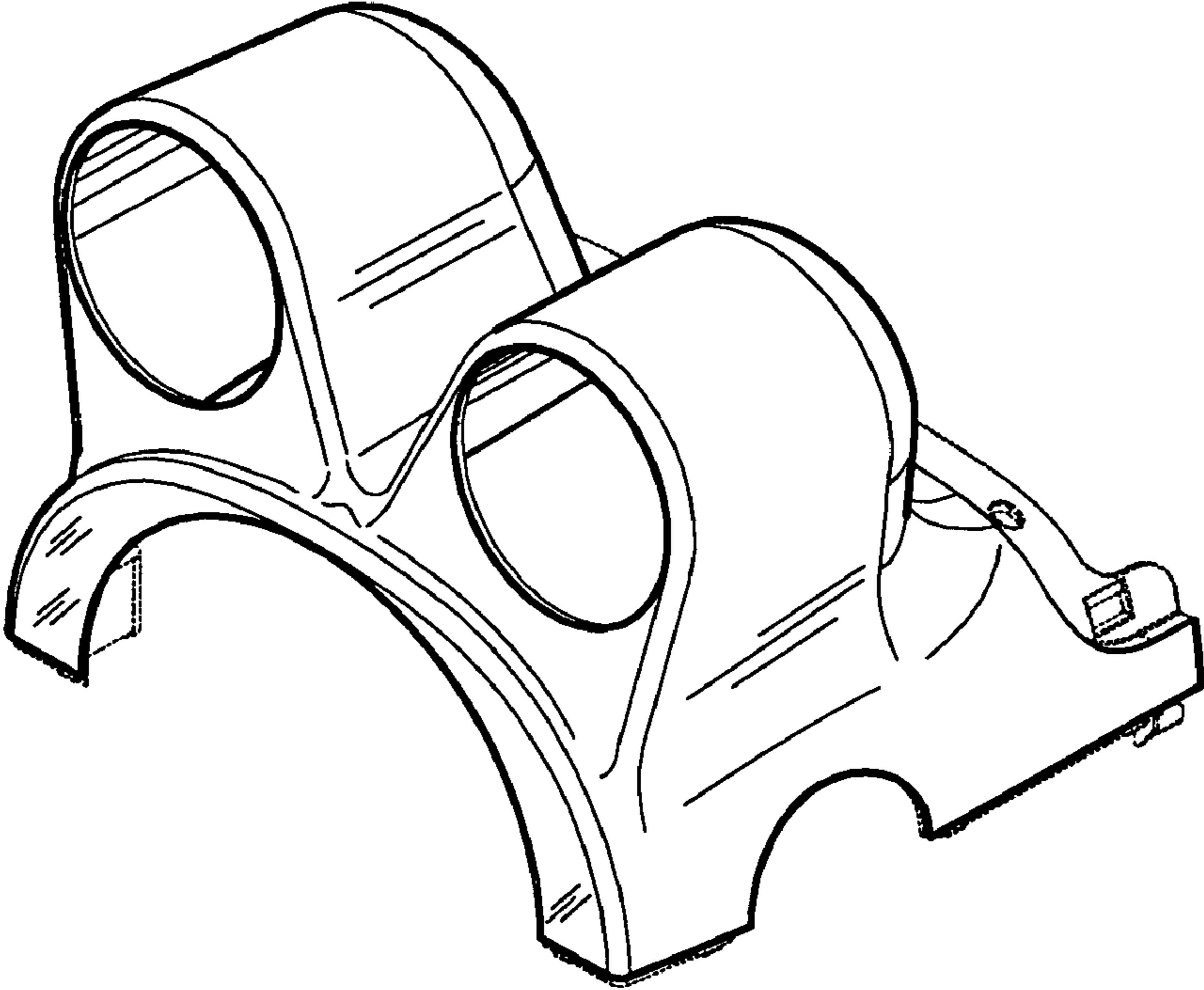


FIGURE-2

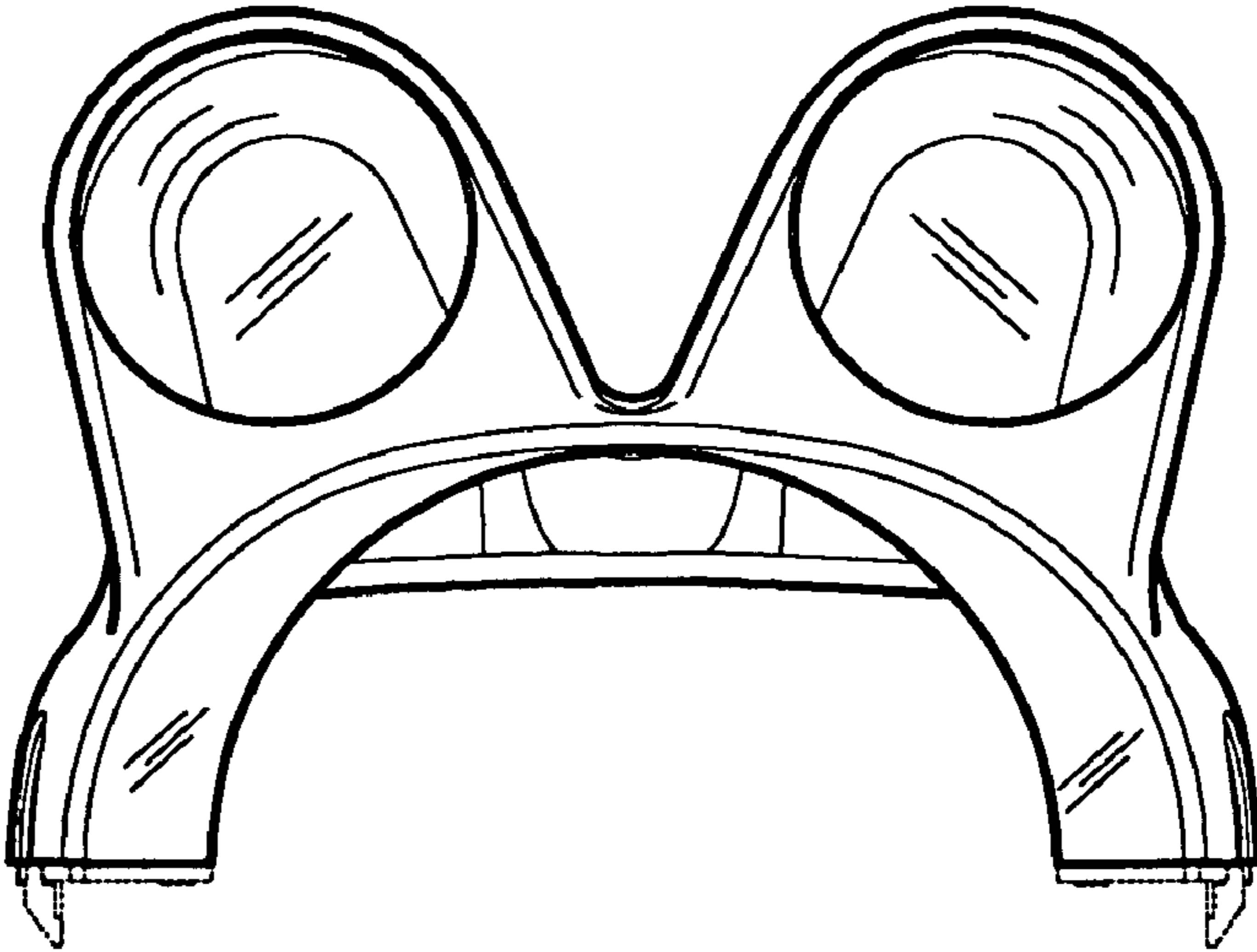


FIGURE-3

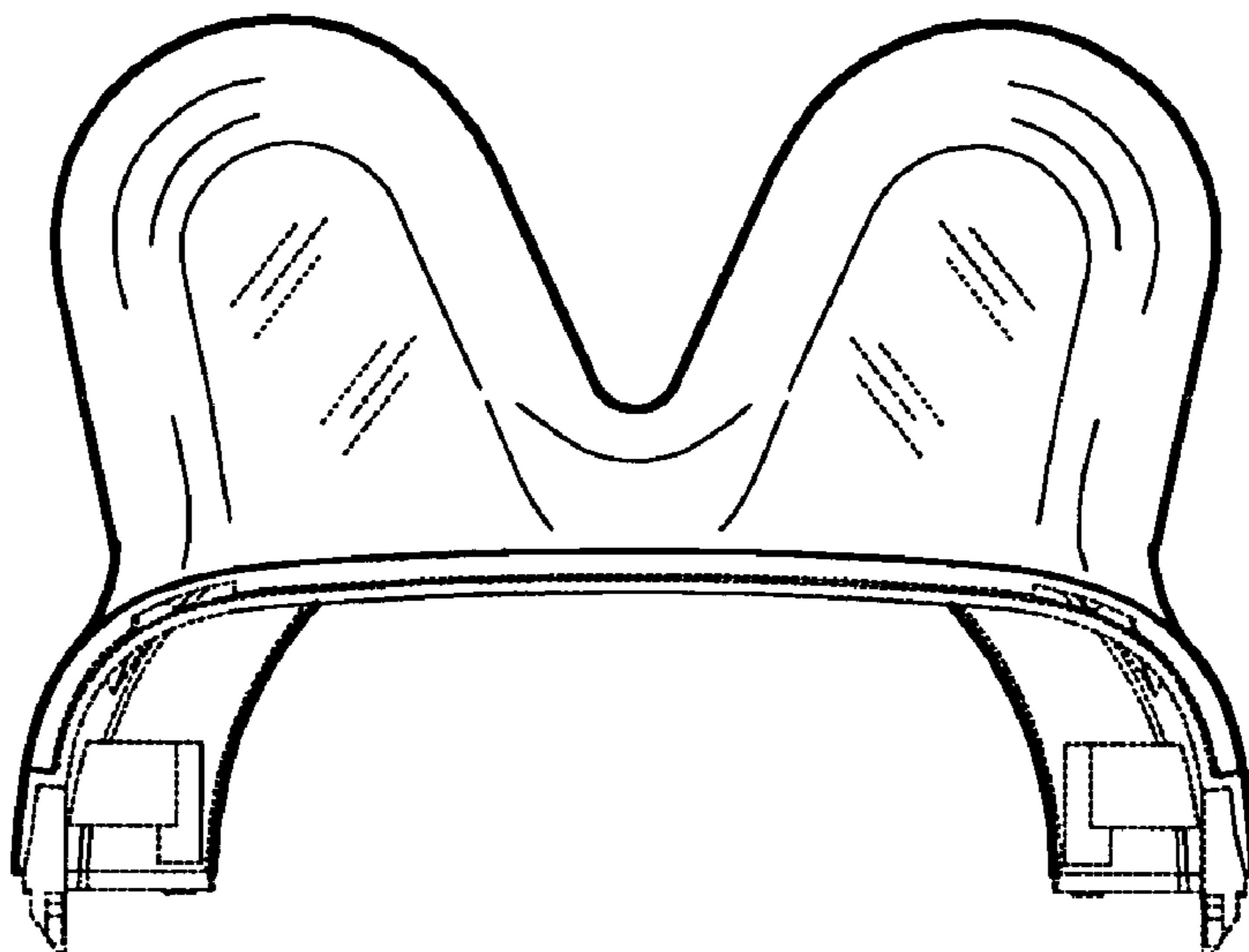


FIGURE-4

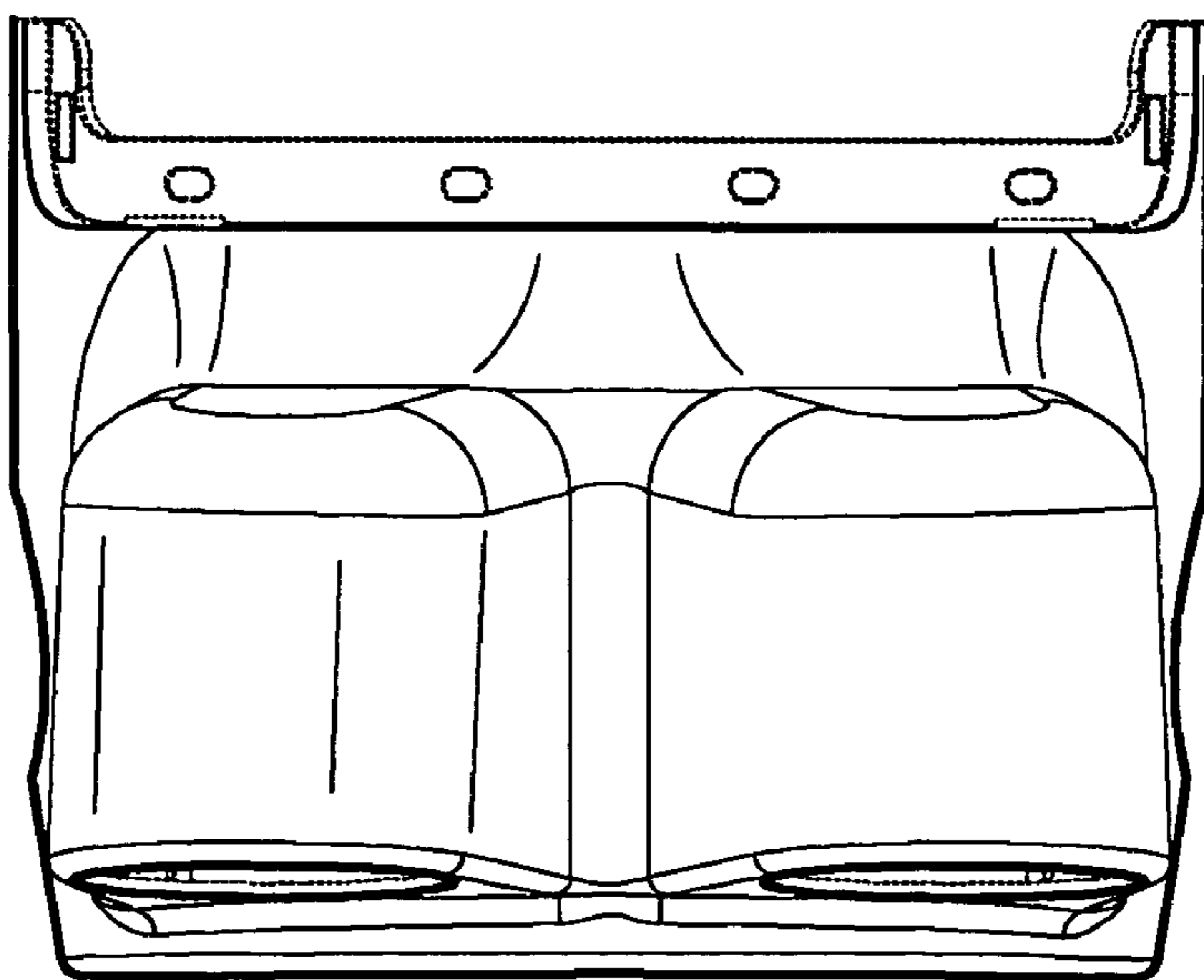


FIGURE-5

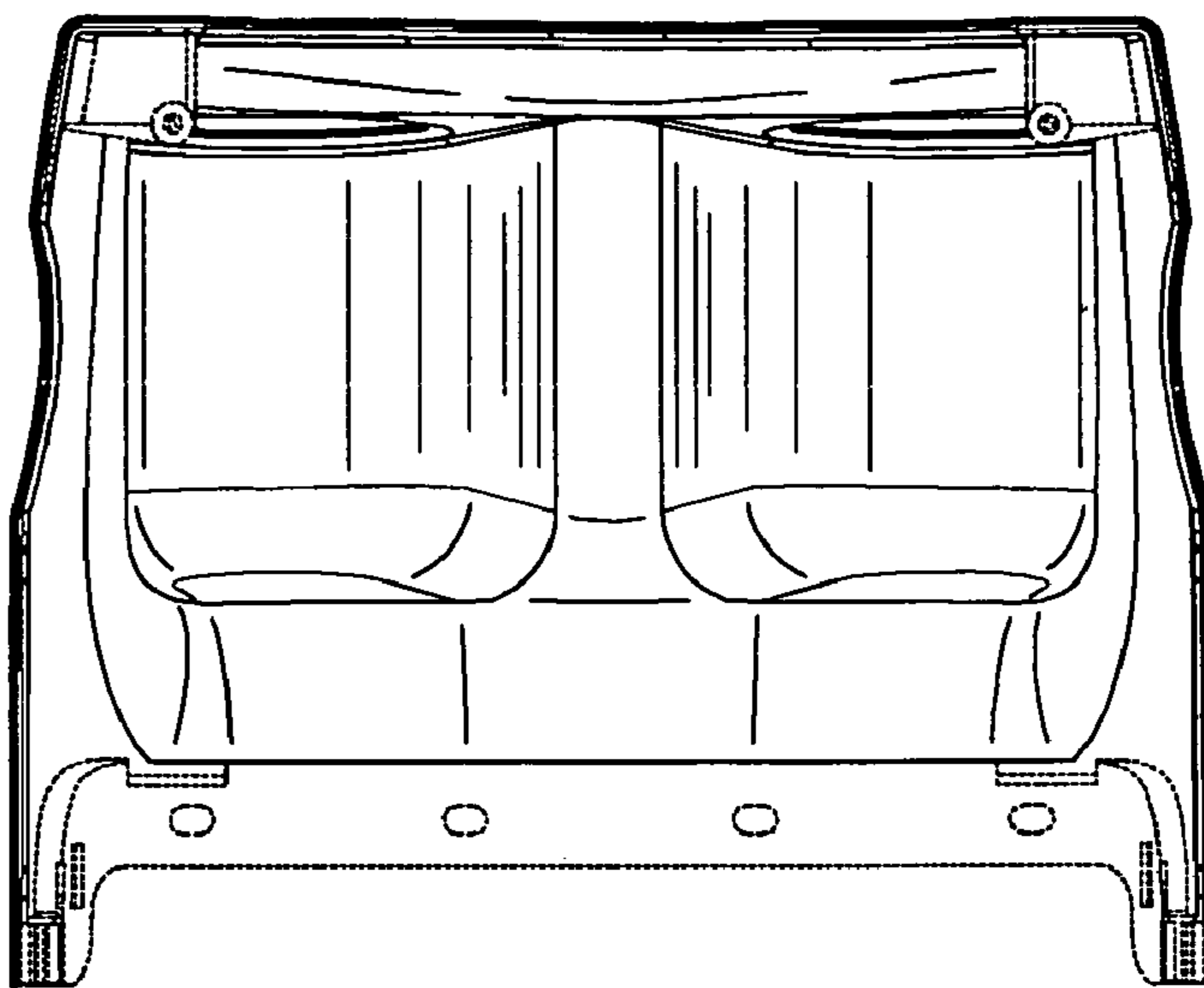


FIGURE-6

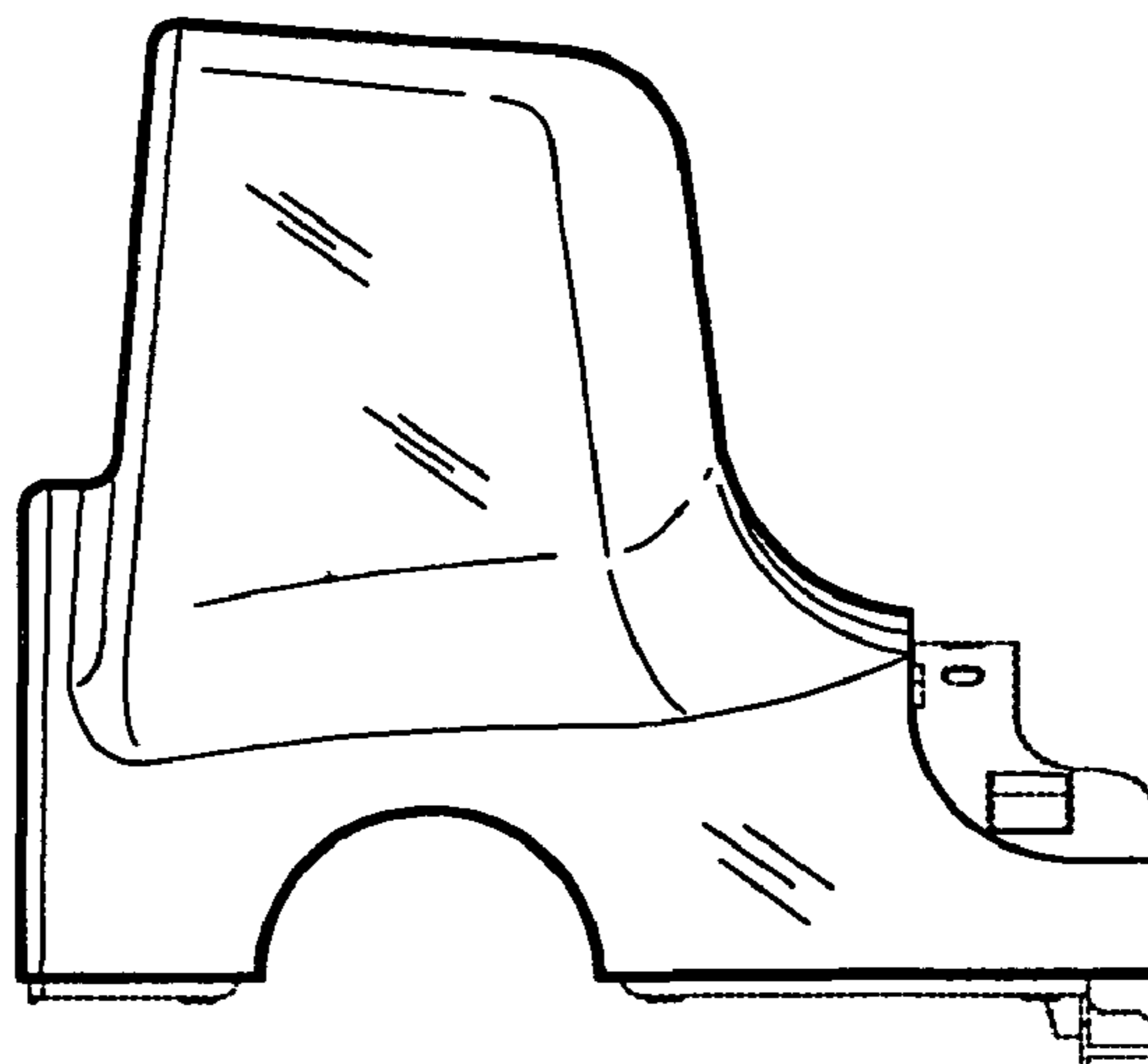


FIGURE-7

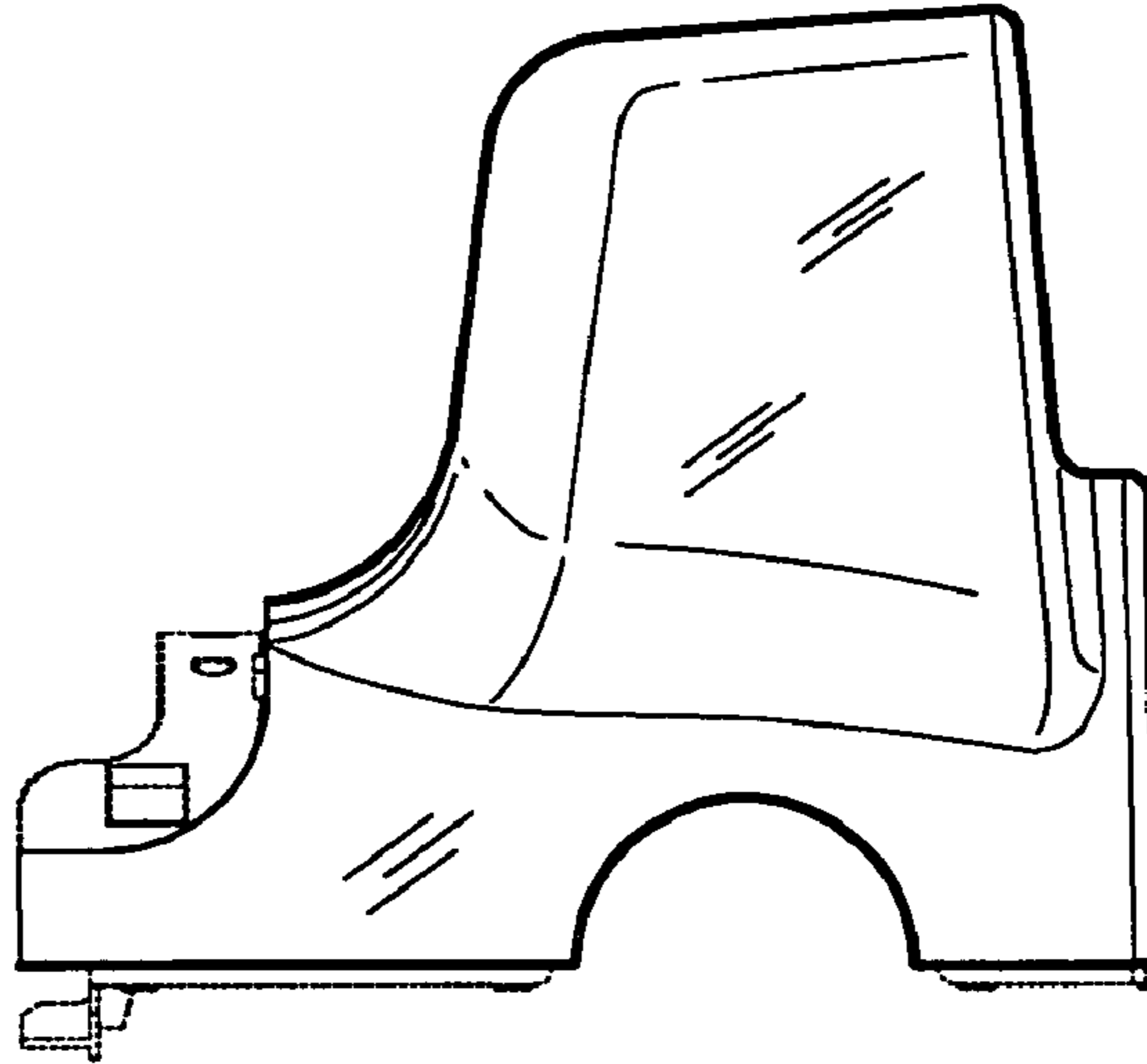


FIGURE-8

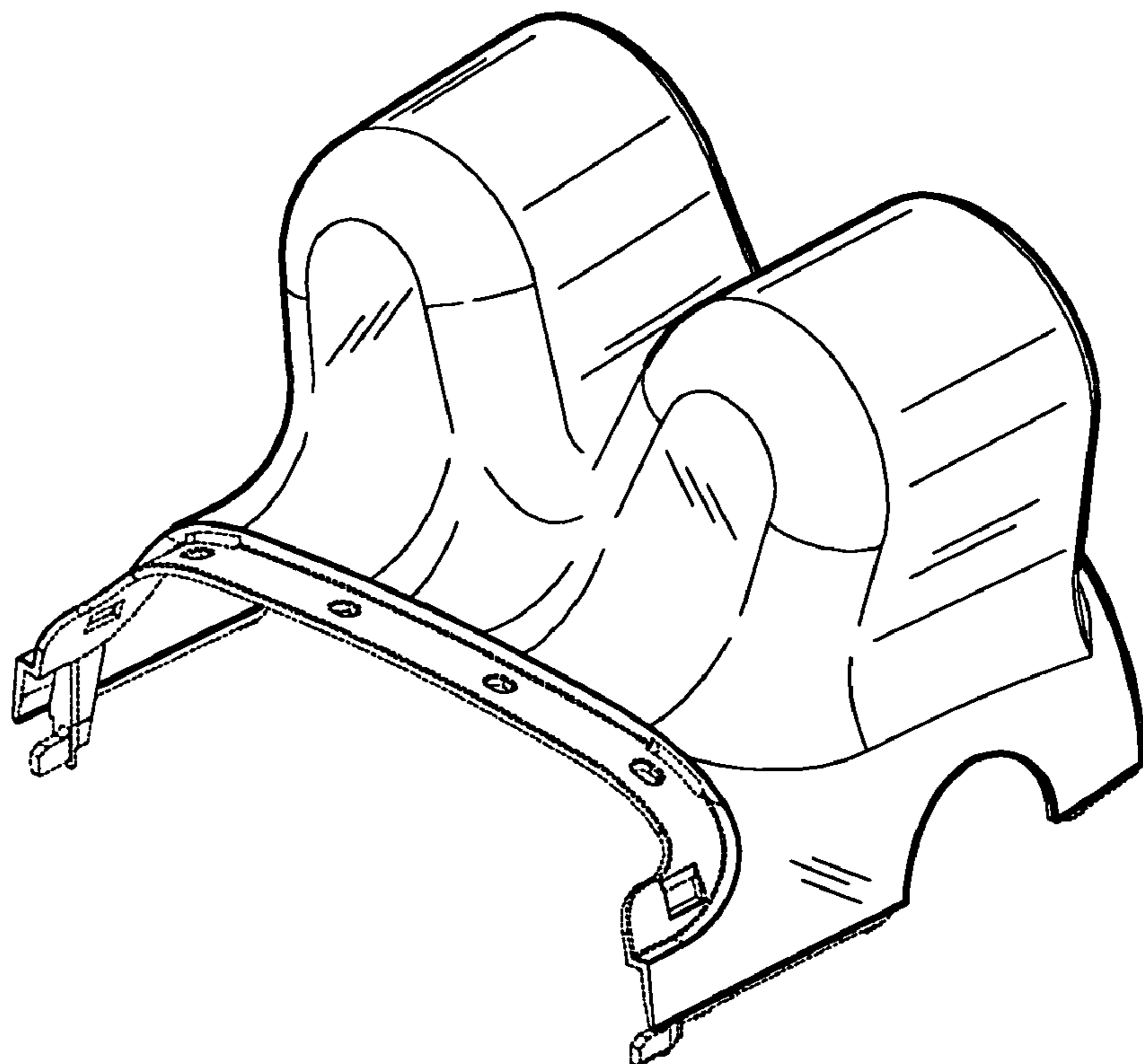


FIGURE-9

