



US00D620403S

(12) **United States Design Patent**
Blankenship et al.

(10) **Patent No.:** **US D620,403 S**
(45) **Date of Patent:** **** Jul. 27, 2010**

(54) **BOAT-SHAPED FORK LIFT RECEIVER
HITCH**

7,425,014 B1 * 9/2008 Palmer 280/479.3
2008/0217885 A1 * 9/2008 Woolever et al. 280/477
2009/0139801 A1 * 6/2009 Friesen 187/237

(75) Inventors: **Christina Blankenship**, Huntsville, AL
(US); **John Michael Bush**, Huntsville,
AL (US)

* cited by examiner

(73) Assignee: **The United States of America as
represented by the Secretary of the
Army**, Washington, DC (US)

Primary Examiner—T. Chase Nelson
Assistant Examiner—Kathleen M Sims
(74) *Attorney, Agent, or Firm*—Michael K. Gray

(**) Term: **14 Years**

(57) **CLAIM**

(21) Appl. No.: **29/344,025**

The ornamental design for a boat-shaped fork lift receiver
hitch, as shown and described.

(22) Filed: **Sep. 22, 2009**

DESCRIPTION

(51) **LOC (9) Cl.** **12-16**

(52) **U.S. Cl.** **D12/162**

(58) **Field of Classification Search** D12/161–162,
D12/223, 420; 187/237; 280/415.1, 477,
280/491.1, 491.2, 491.3, 491.5, 511; 224/509,
224/518–519, 521, 524–525

FIG. 1 is rear, perspective view;

FIG. 2 is a front view;

FIG. 3 is a rear view;

FIG. 4 is a side view;

FIG. 5 is a top view; and,

FIG. 6 is a bottom view.

See application file for complete search history.

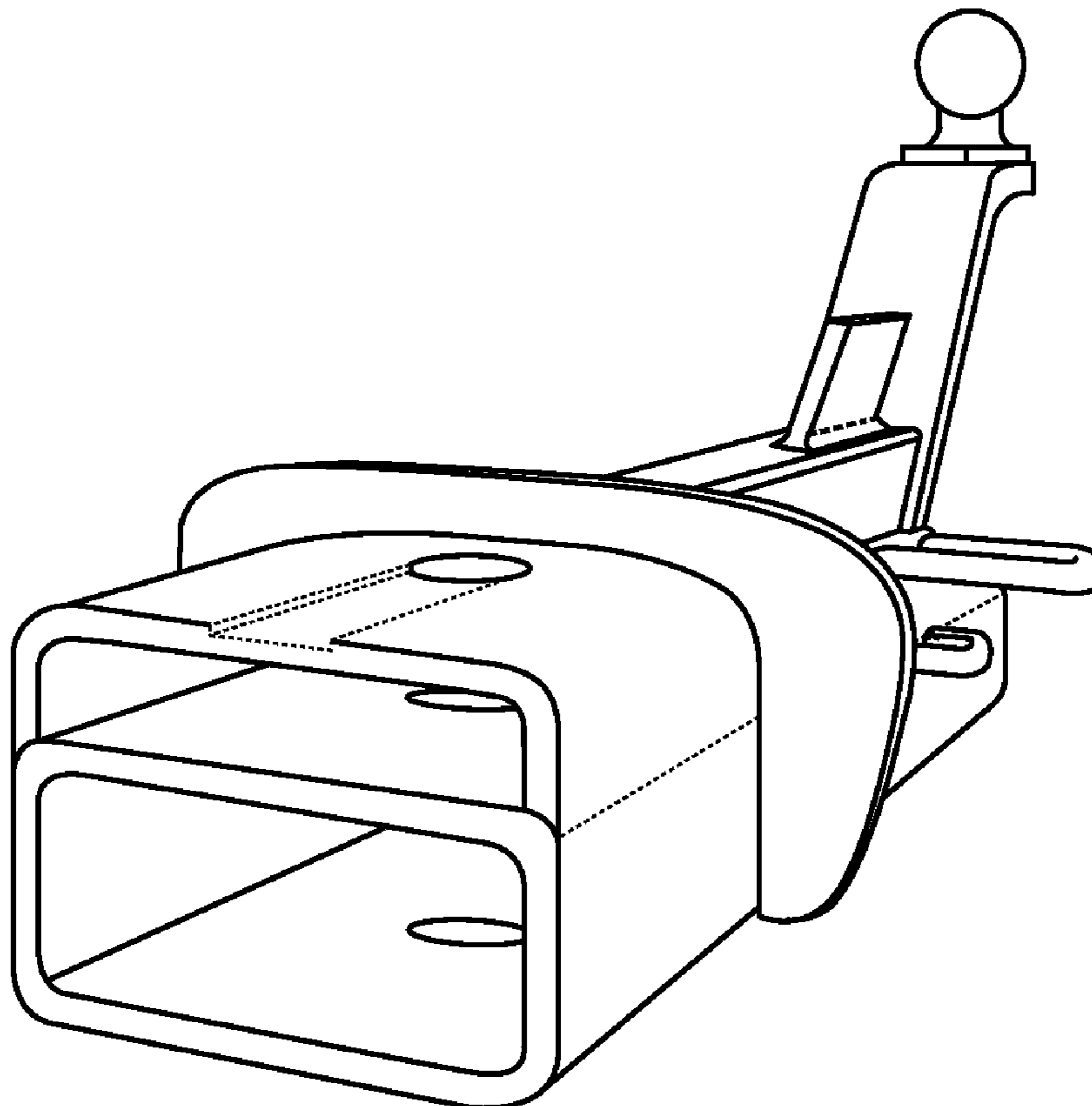
The portions shown in dashed lines are shown for illustrative
purposes only and form no part of the claimed design.

(56) **References Cited**

U.S. PATENT DOCUMENTS

D269,175 S * 5/1983 Perry et al. D12/162
6,390,489 B1 * 5/2002 Friesen 280/504

1 Claim, 3 Drawing Sheets



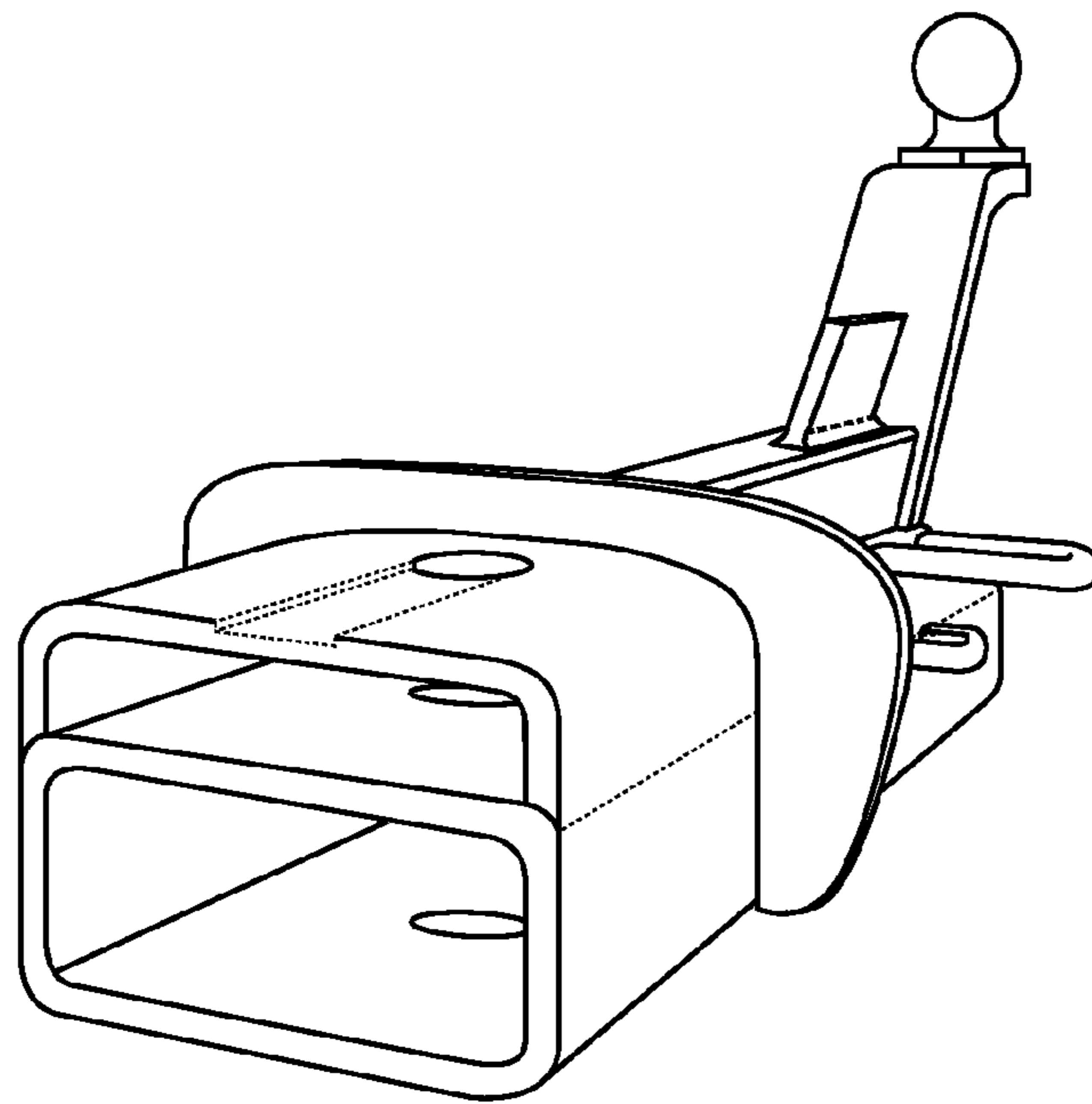


FIG. 1

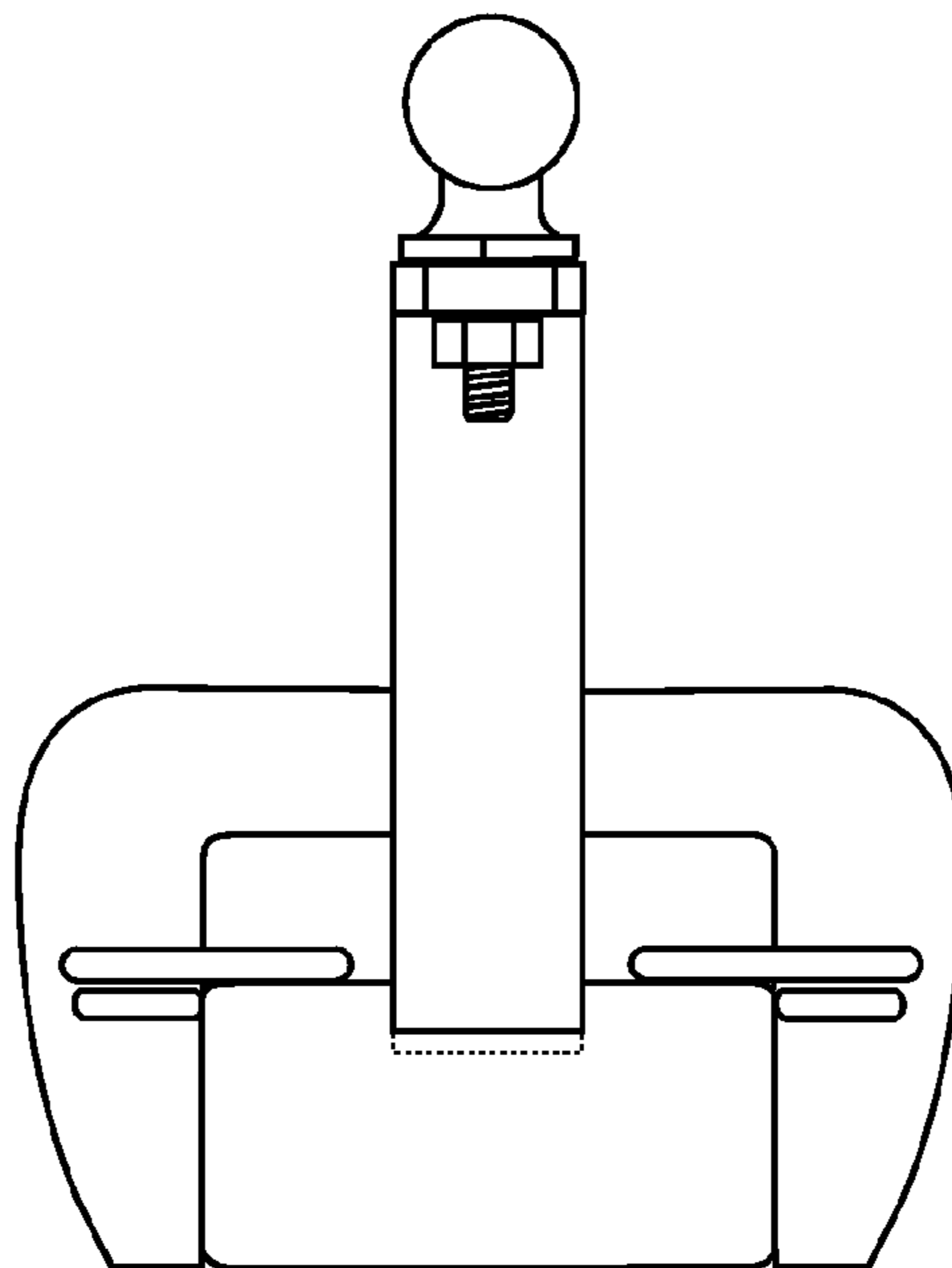


FIG. 2

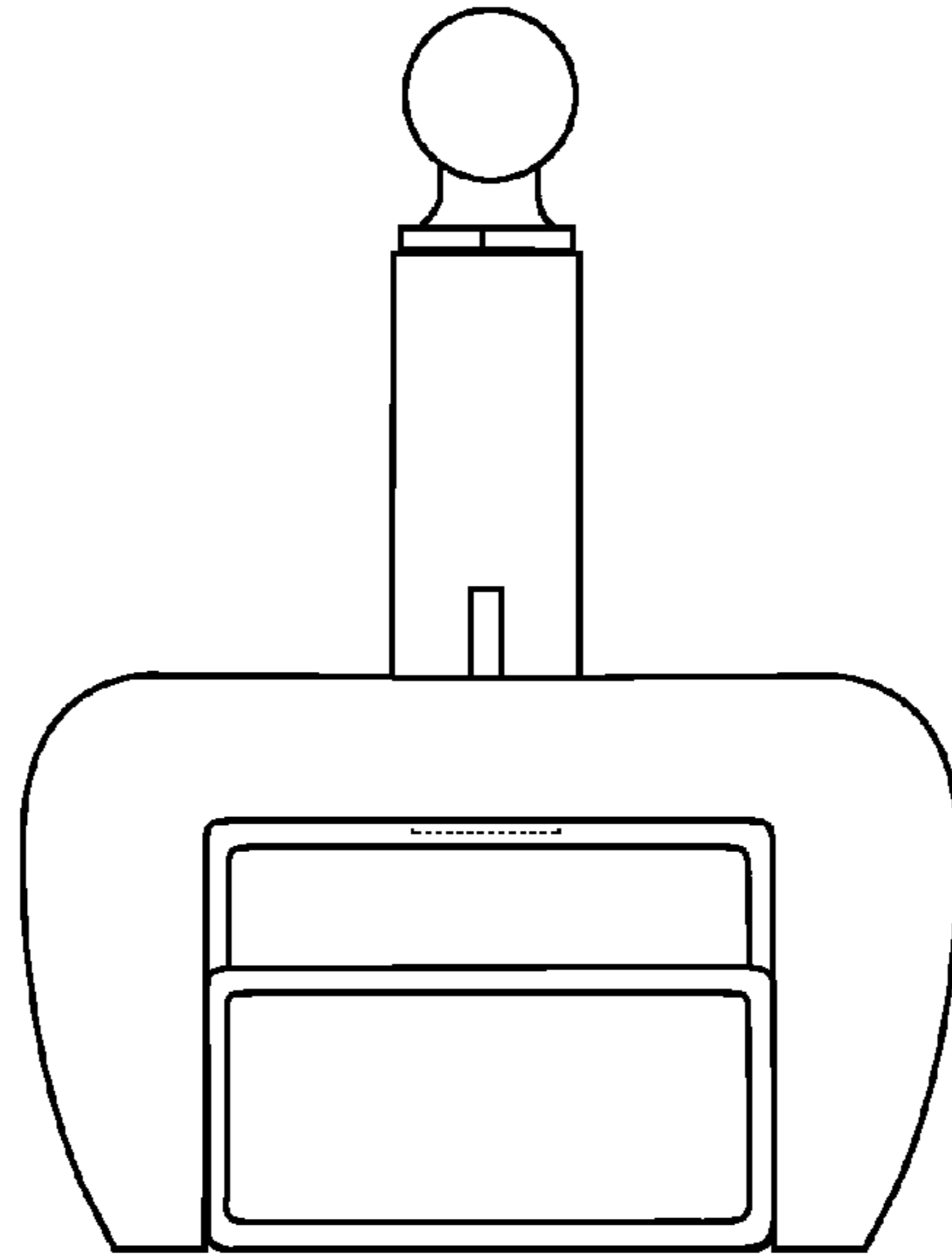


FIG. 3

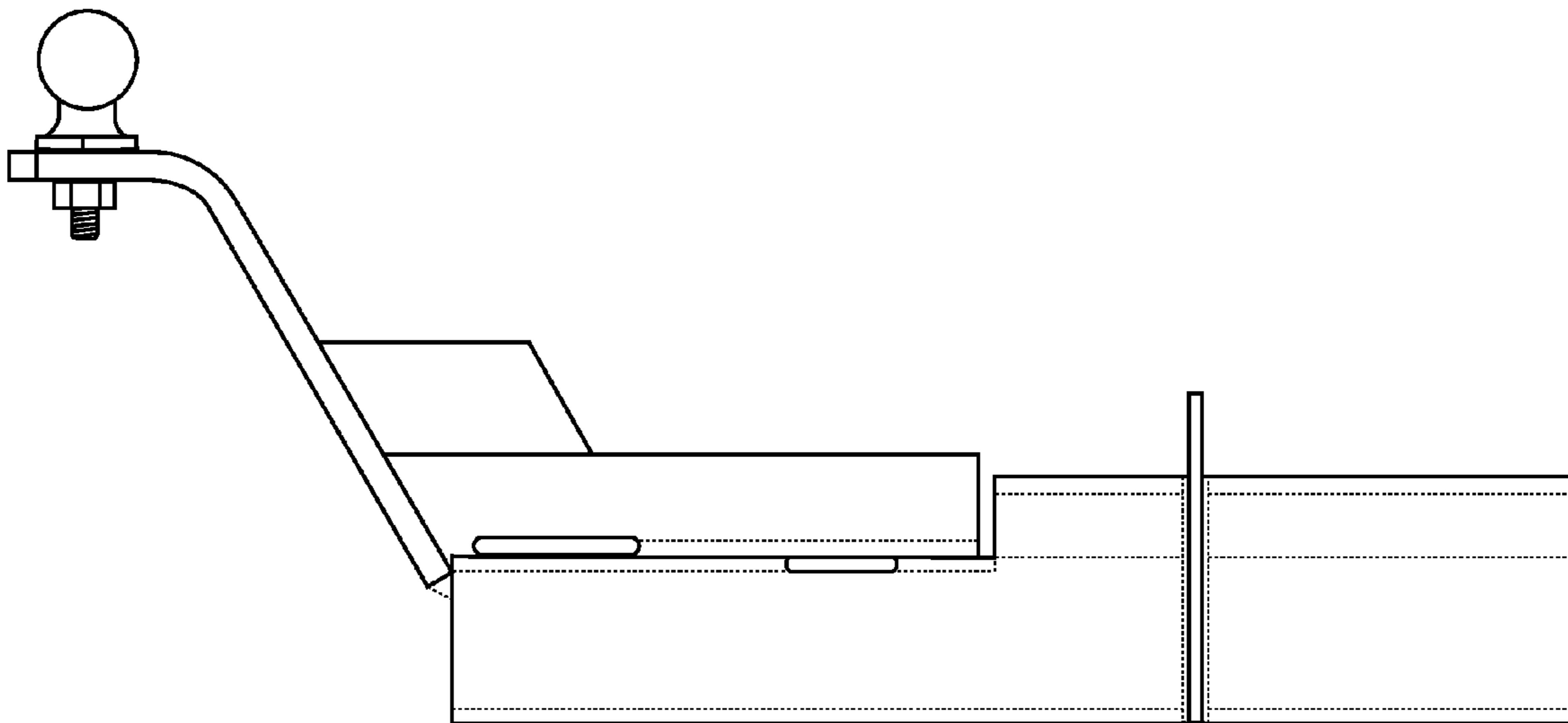


FIG. 4

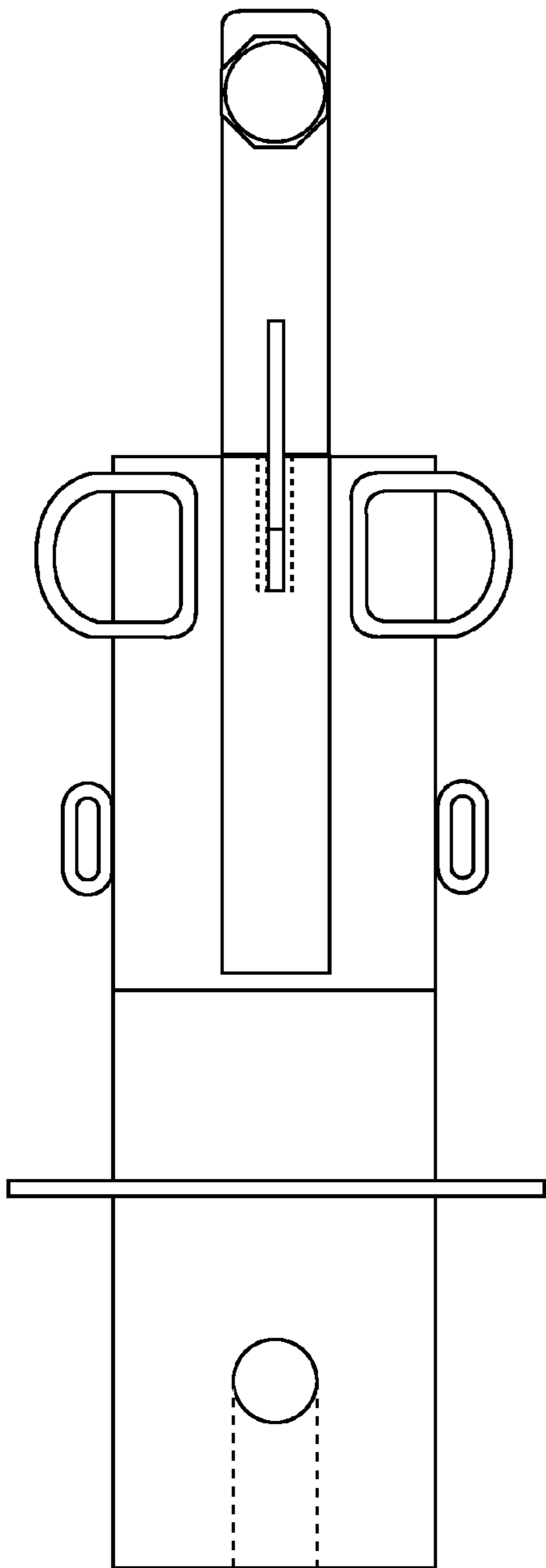


FIG. 5

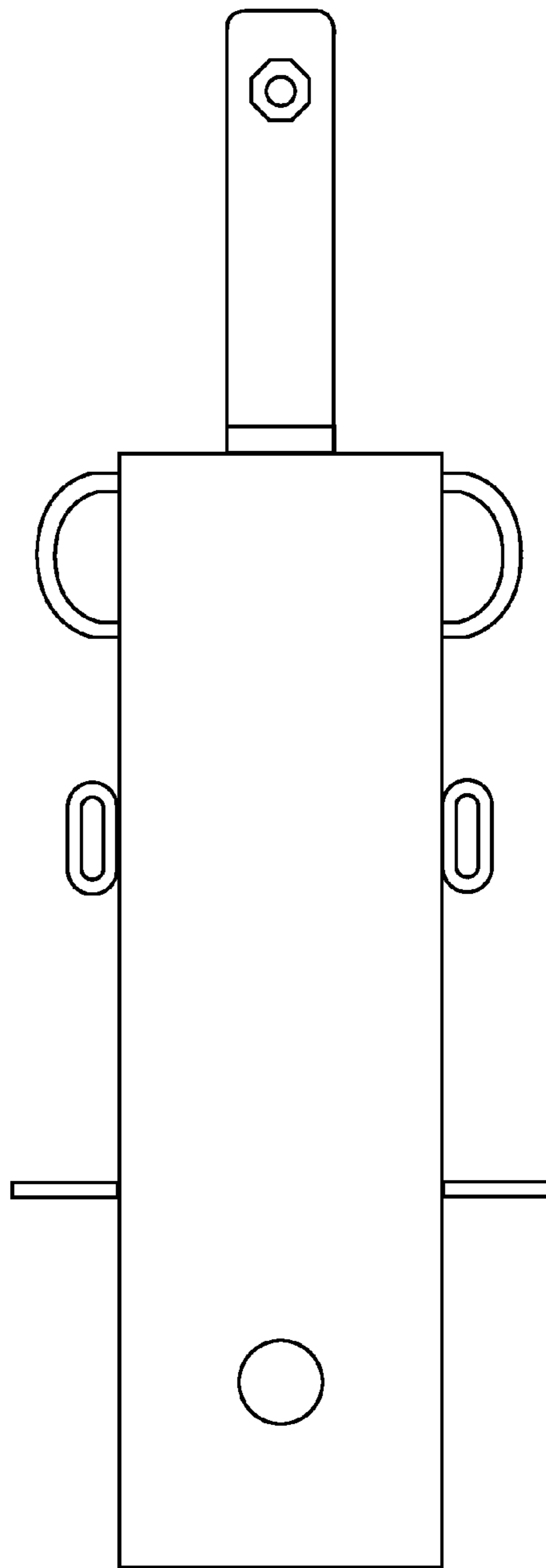


FIG. 6