



US00D620401S

(12) **United States Design Patent**
Haller et al.

(10) **Patent No.:** **US D620,401 S**
(45) **Date of Patent:** **** Jul. 27, 2010**

(54) **ELECTRIC BICYCLE**

(75) Inventors: **Norbert Haller**, Berlin (DE); **Hendrik Markowski**, Arnstadt (DE); **Johannes Cremer**, Berlin (DE)

(73) Assignee: **Ultra Motor Limited**, Bury St. Edmunds (GB)

(**) Term: **14 Years**

(21) Appl. No.: **29/342,454**

(22) Filed: **Aug. 25, 2009**

(30) **Foreign Application Priority Data**

Feb. 27, 2009 (EM) 001096390/0001

(51) **LOC (9) Cl.** **12-11**

(52) **U.S. Cl.** **D12/111**

(58) **Field of Classification Search** D12/110,
D12/111, 117; 180/65.1, 205–207, 219,
180/220, 216, 217; 280/274, 281.1, 275–280,
280/288.1–288.4

See application file for complete search history.

(56) **References Cited**

U.S. PATENT DOCUMENTS

4,030,562 A * 6/1977 Leighton et al. 180/206
4,267,898 A * 5/1981 Wheaton 180/205
5,941,332 A * 8/1999 Dimick 180/205
6,629,574 B2 * 10/2003 Turner 180/206
D507,767 S * 7/2005 Chan D12/111

FOREIGN PATENT DOCUMENTS

DE 20 2007 003 313 U1 8/2007

OTHER PUBLICATIONS

Office Action issued in Design Application No. 29/342,452, dated Jan. 15, 2010.

* cited by examiner

Primary Examiner—Philip S Hyder

Assistant Examiner—Linda G. Brooks

(74) *Attorney, Agent, or Firm*—Pearl Cohen Zedek Latzer, LLP

(57) **CLAIM**

The ornamental design for an electric bicycle, as shown and described.

DESCRIPTION

FIG. 1 is a front, left side perspective view of the electric bicycle;

FIG. 2 is a front elevational view of the electric bicycle shown in FIG. 1;

FIG. 3 is a rear elevational view of the electric bicycle shown in FIG. 1;

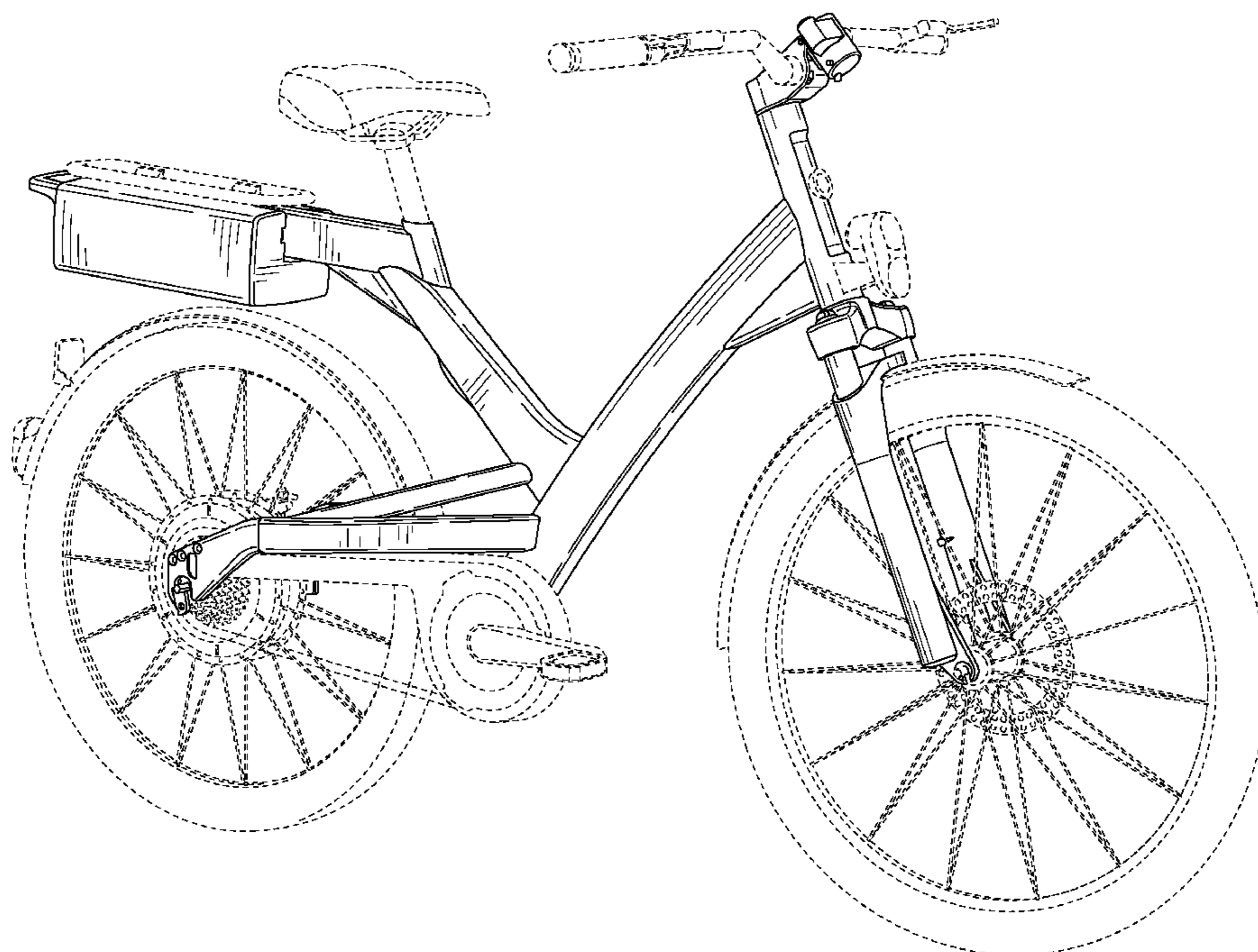
FIG. 4 is a right side elevational view of the electric bicycle shown in FIG. 1;

FIG. 5 is a left side elevational view of the electric bicycle shown in FIG. 1; and,

FIG. 6 is a back, left side perspective view of the electric bicycle shown in FIG. 1.

The structure in broken lines forms no part of the claimed design.

1 Claim, 5 Drawing Sheets



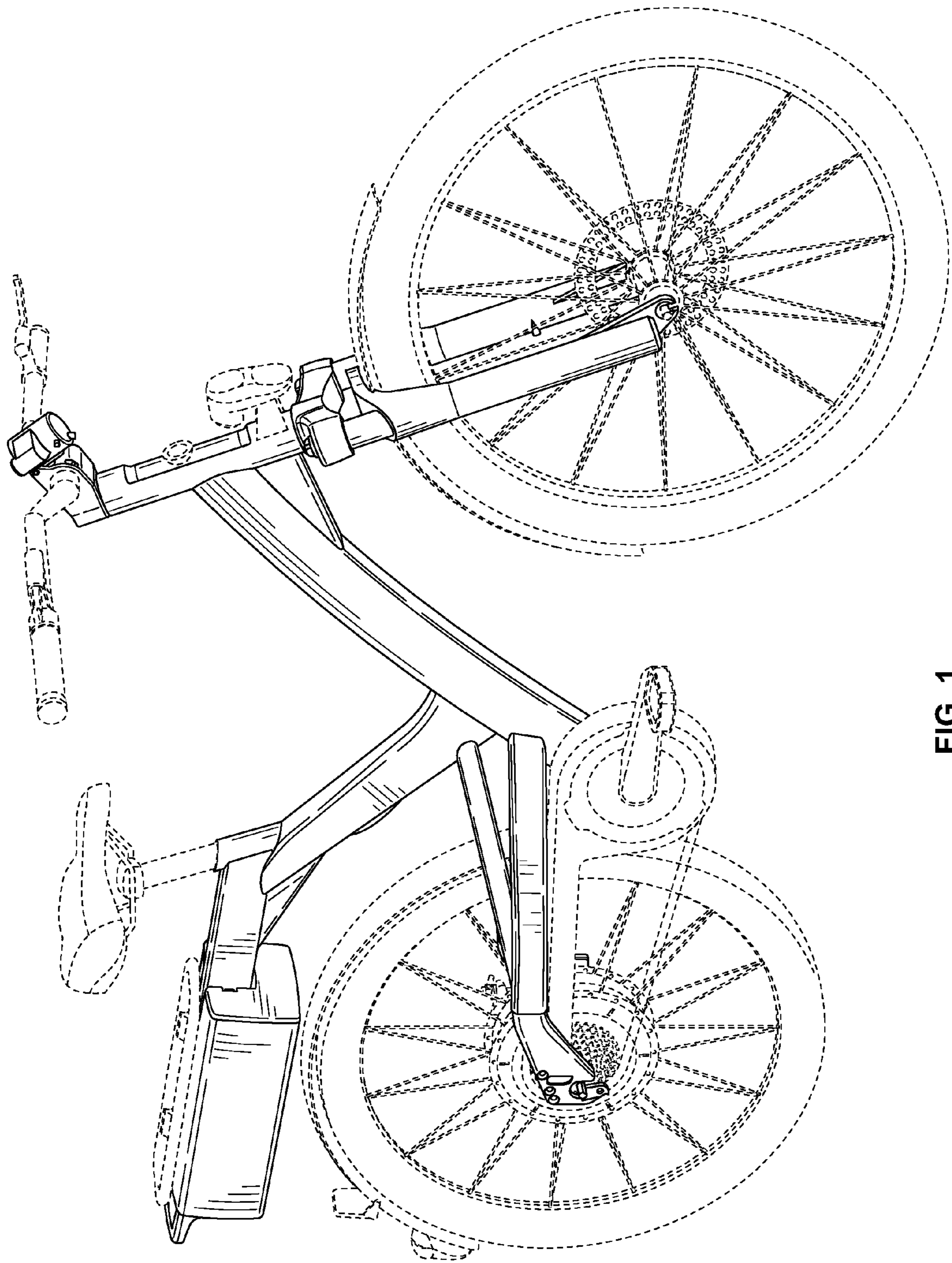


FIG. 1

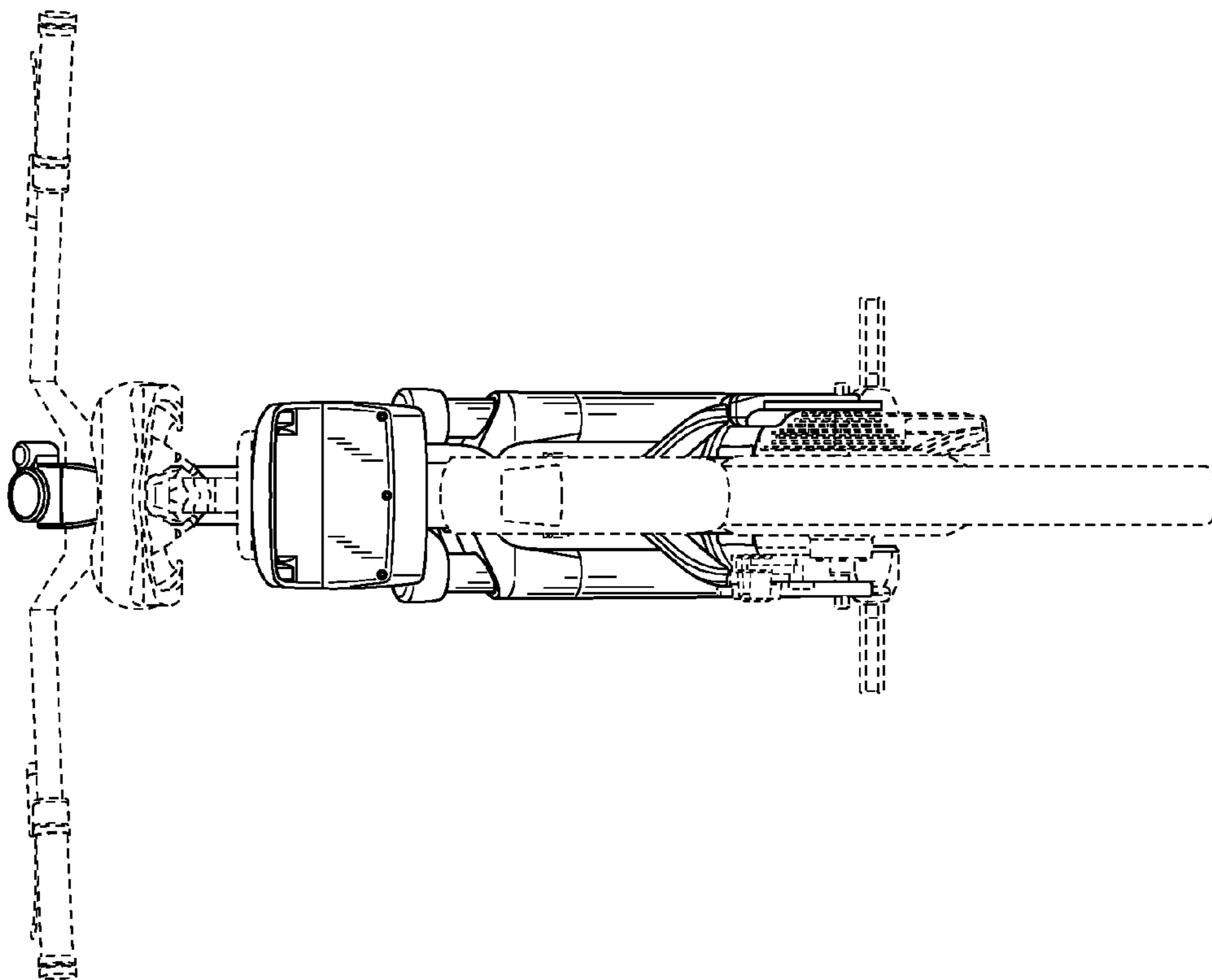


FIG. 2

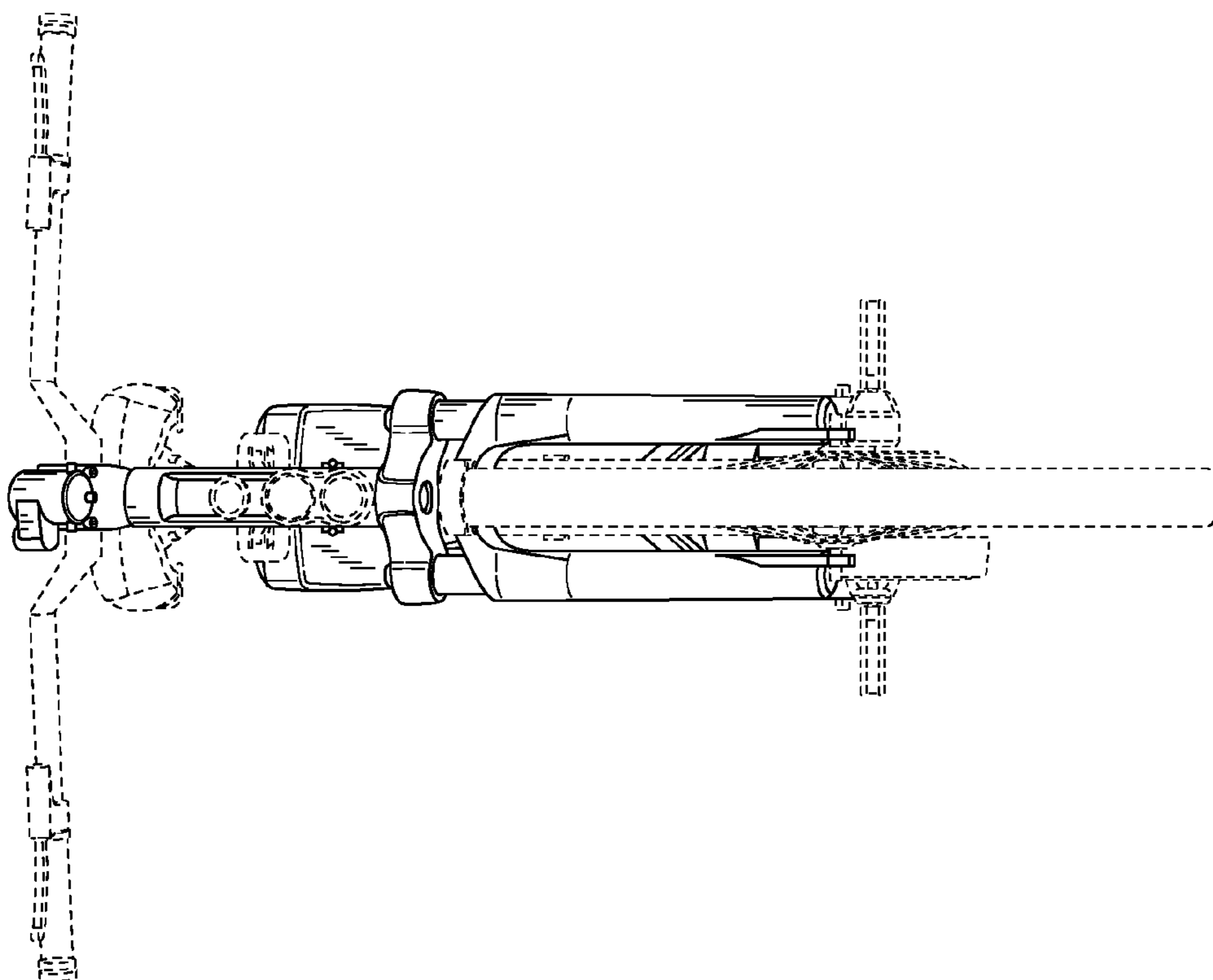


FIG. 3

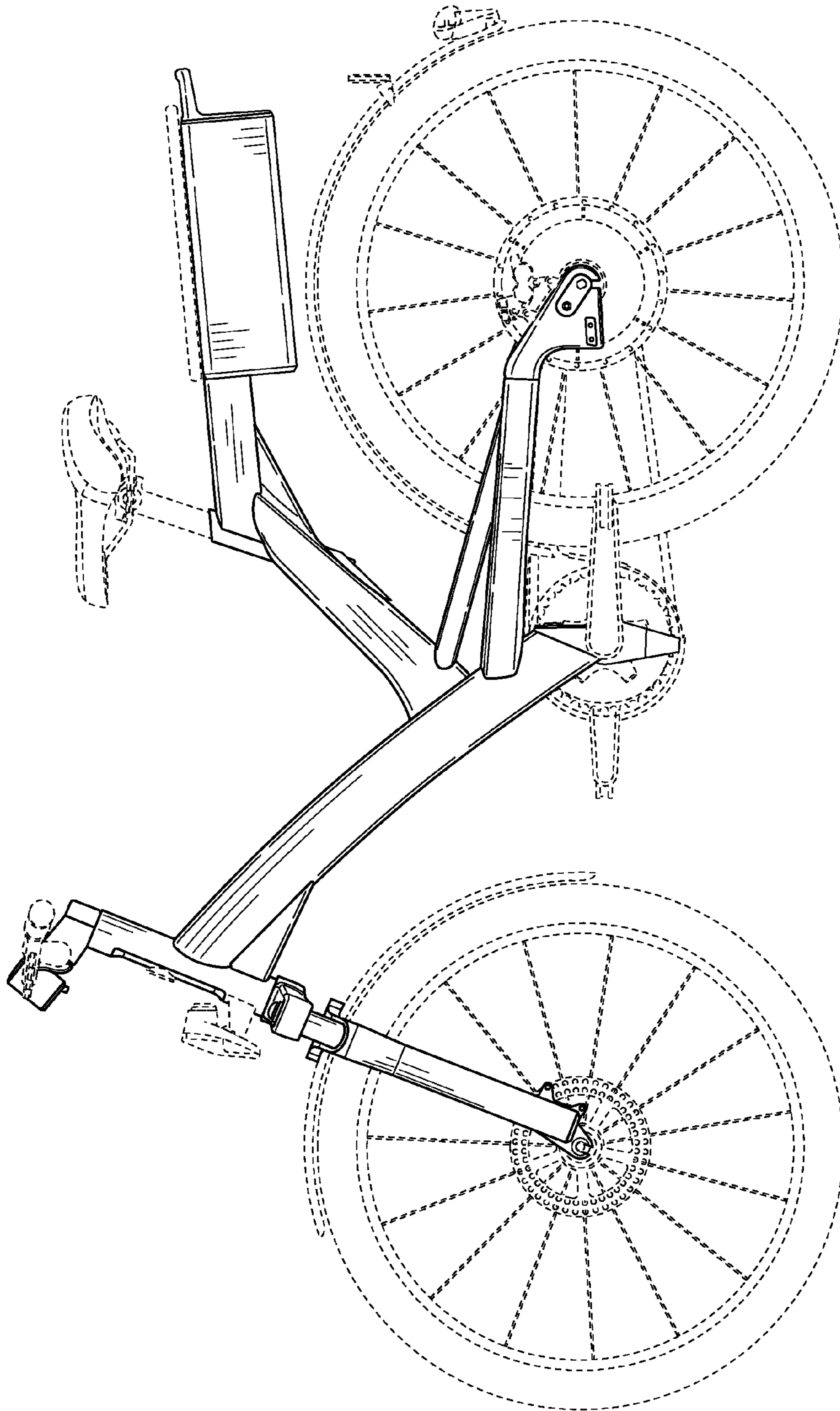


FIG. 4

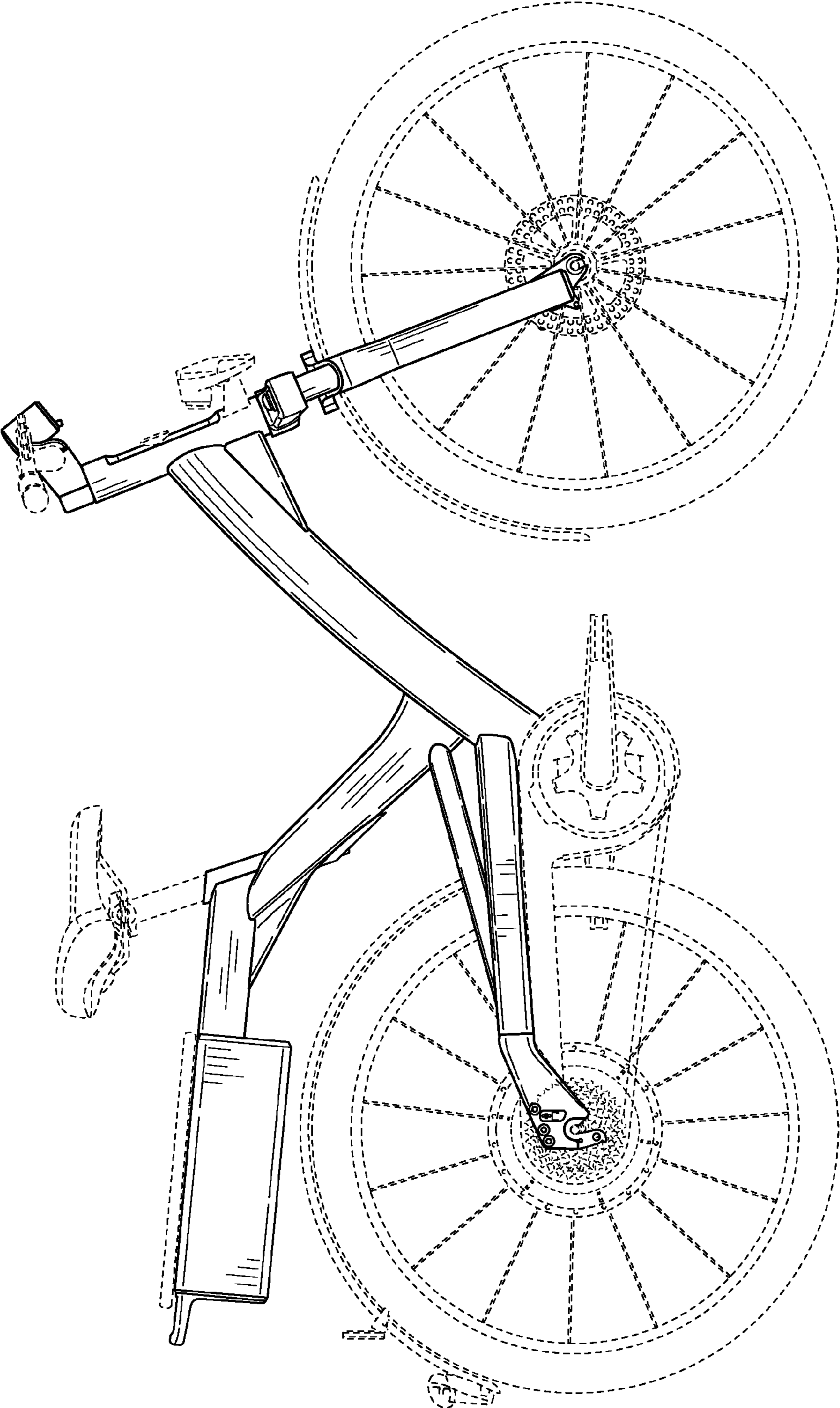


FIG. 5

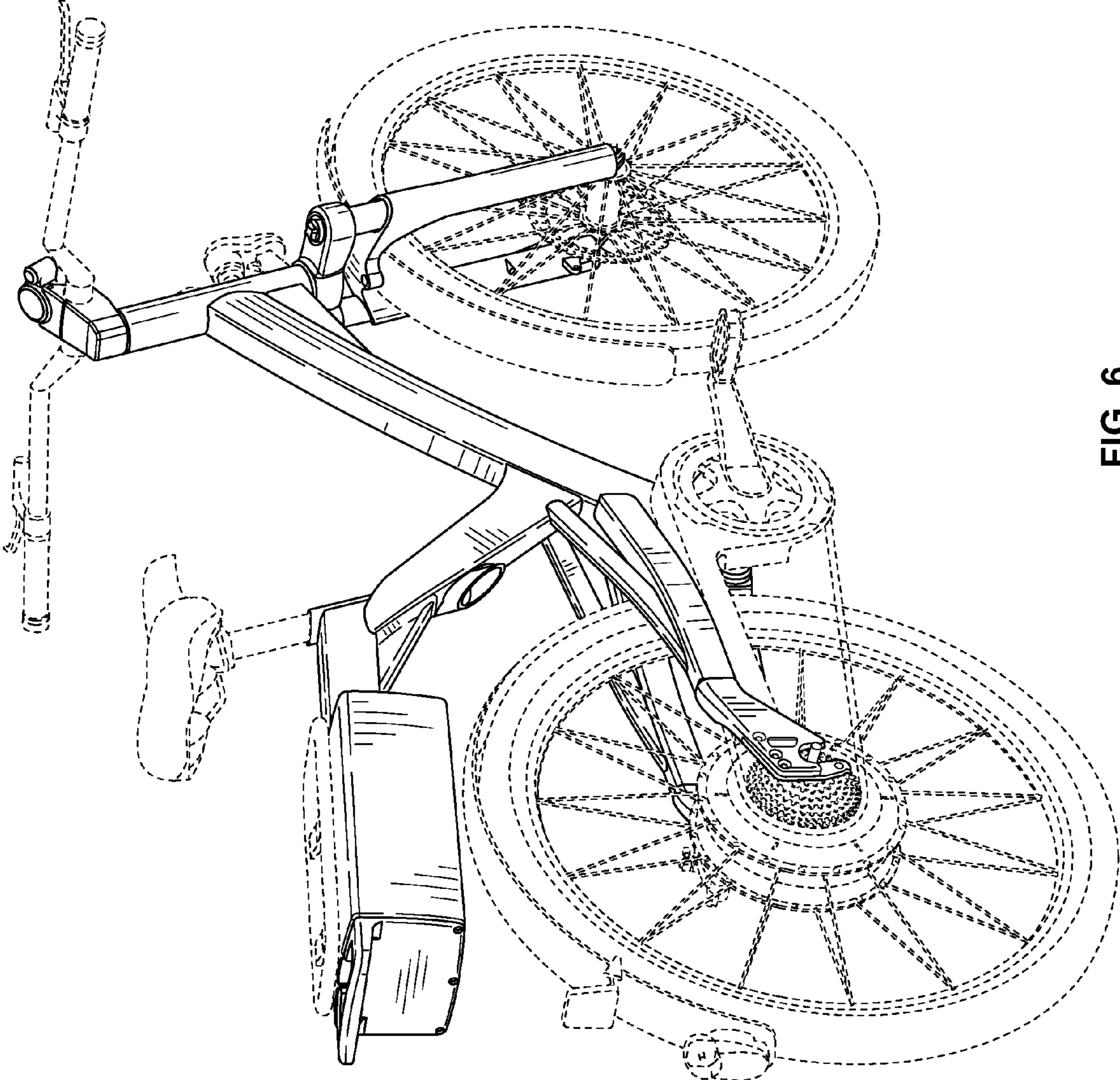


FIG. 6