



US00D620399S

(12) **United States Design Patent**  
**Wu et al.**

(10) **Patent No.:** **US D620,399 S**  
(45) **Date of Patent:** **\*\* Jul. 27, 2010**

(54) **ALL TERRAIN VEHICLE**

D542,186 S \* 5/2007 Lai et al. .... D12/107  
D585,792 S \* 2/2009 Chao et al. .... D12/107  
D609,136 S \* 2/2010 Renchuan .... D12/107

(75) Inventors: **Wen-Yung Wu**, Kaohsiung (TW);  
**Chieh-Mao Chang**, Kaohsiung (TW)

\* cited by examiner

(73) Assignee: **Kwang Yang Motor Co., Ltd.**,  
Kaohsiung (TW)

*Primary Examiner*—Philip S Hyder  
*Assistant Examiner*—Linda G. Brooks  
(74) *Attorney, Agent, or Firm*—Leong C. Lei

(\*\*) Term: **14 Years**

(21) Appl. No.: **29/345,684**

(57) **CLAIM**

(22) Filed: **Oct. 21, 2009**

The ornamental design for an all terrain vehicle, as shown and described.

(51) **LOC (9) Cl.** ..... **12-11**

(52) **U.S. Cl.** ..... **D12/107**

(58) **Field of Classification Search** ..... D12/3,  
D12/86, 87, 107, 110; 180/225, 229, 223,  
180/233, 311, 312, 315

See application file for complete search history.

**DESCRIPTION**

FIG. 1 is a perspective view of an all terrain vehicle showing my new design;

FIG. 2 is a front elevational view thereof;

FIG. 3 is a rear elevational view thereof;

FIG. 4 is a left side elevational view thereof;

FIG. 5 is a right side elevational view thereof;

FIG. 6 is a top plan view thereof; and,

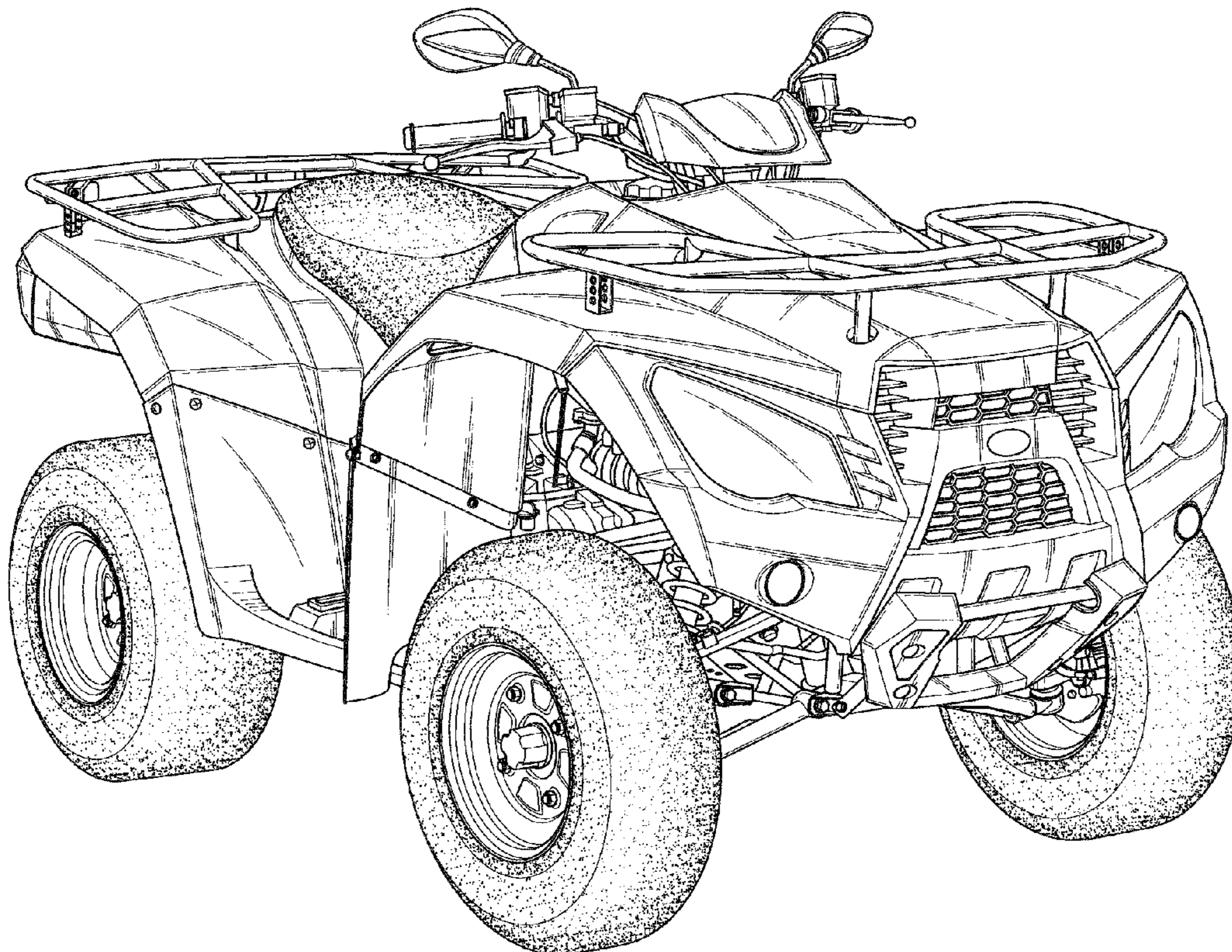
FIG. 7 is a bottom plan view thereof.

(56) **References Cited**

**U.S. PATENT DOCUMENTS**

D516,467 S \* 3/2006 Wu ..... D12/107  
D520,912 S \* 5/2006 Knight et al. .... D12/107  
D520,914 S \* 5/2006 Luh ..... D12/107  
D522,924 S \* 6/2006 Yokoyama et al. .... D12/107  
D529,414 S \* 10/2006 Wu et al. .... D12/107

**1 Claim, 6 Drawing Sheets**



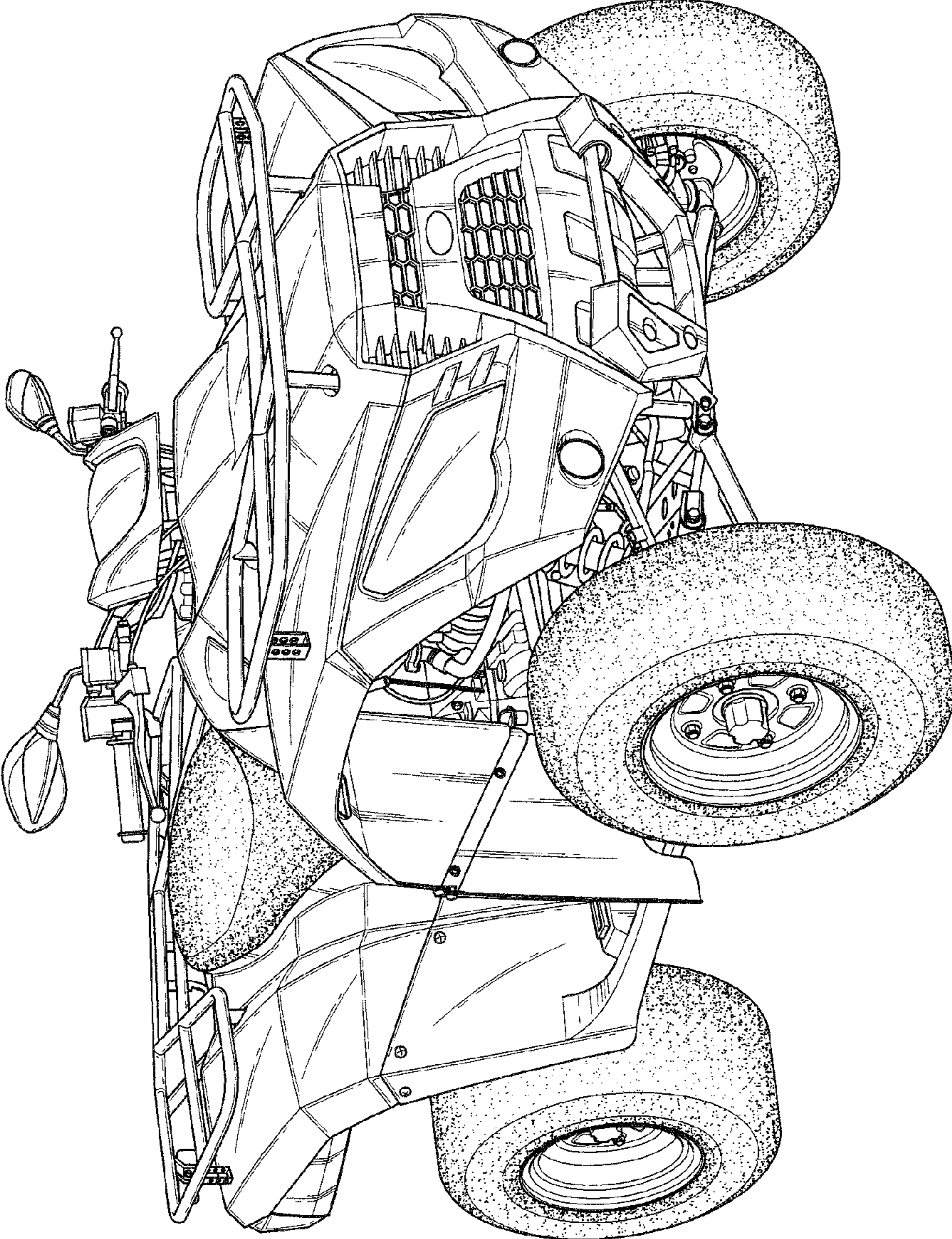


FIG.1

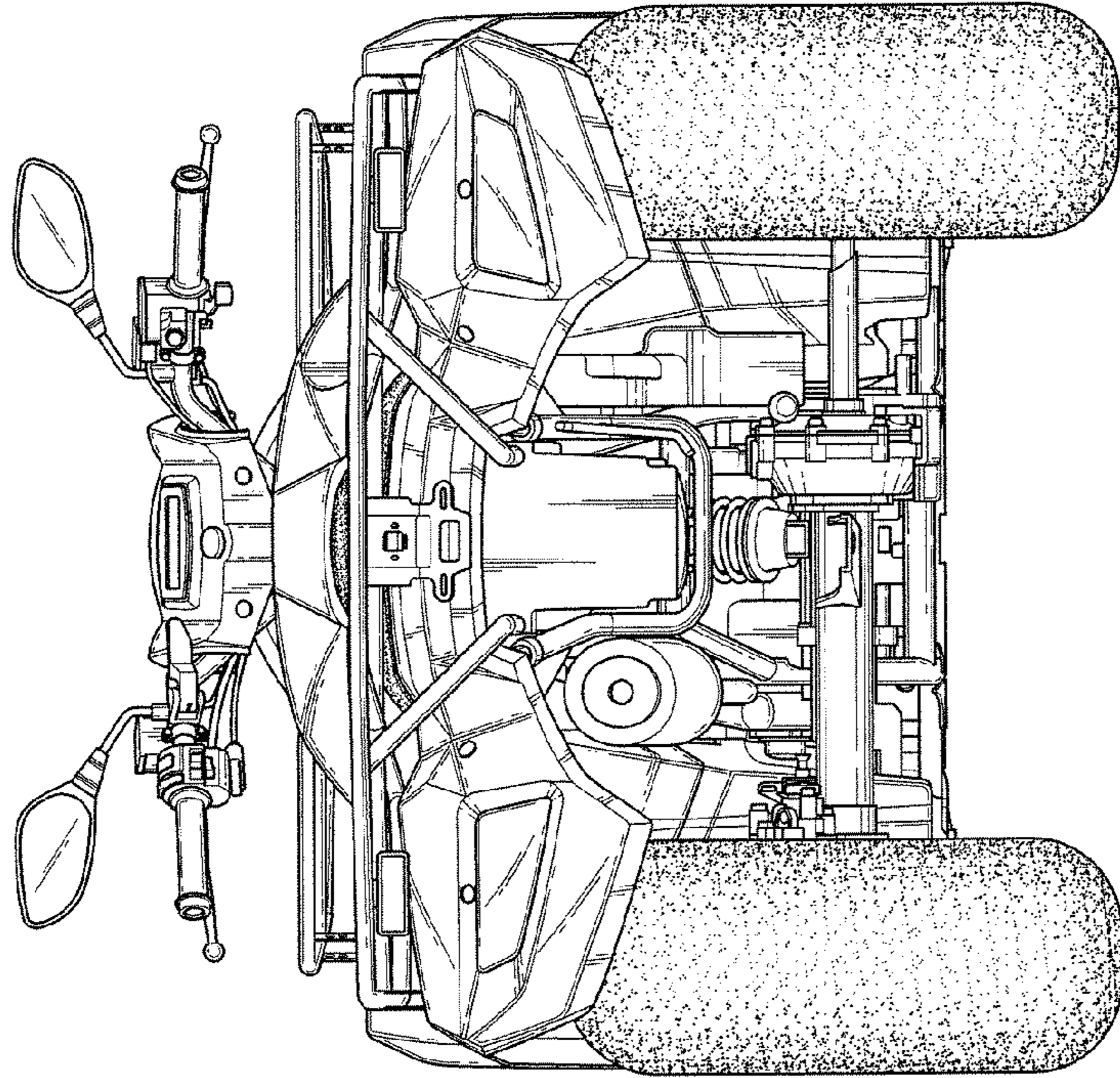


FIG.3

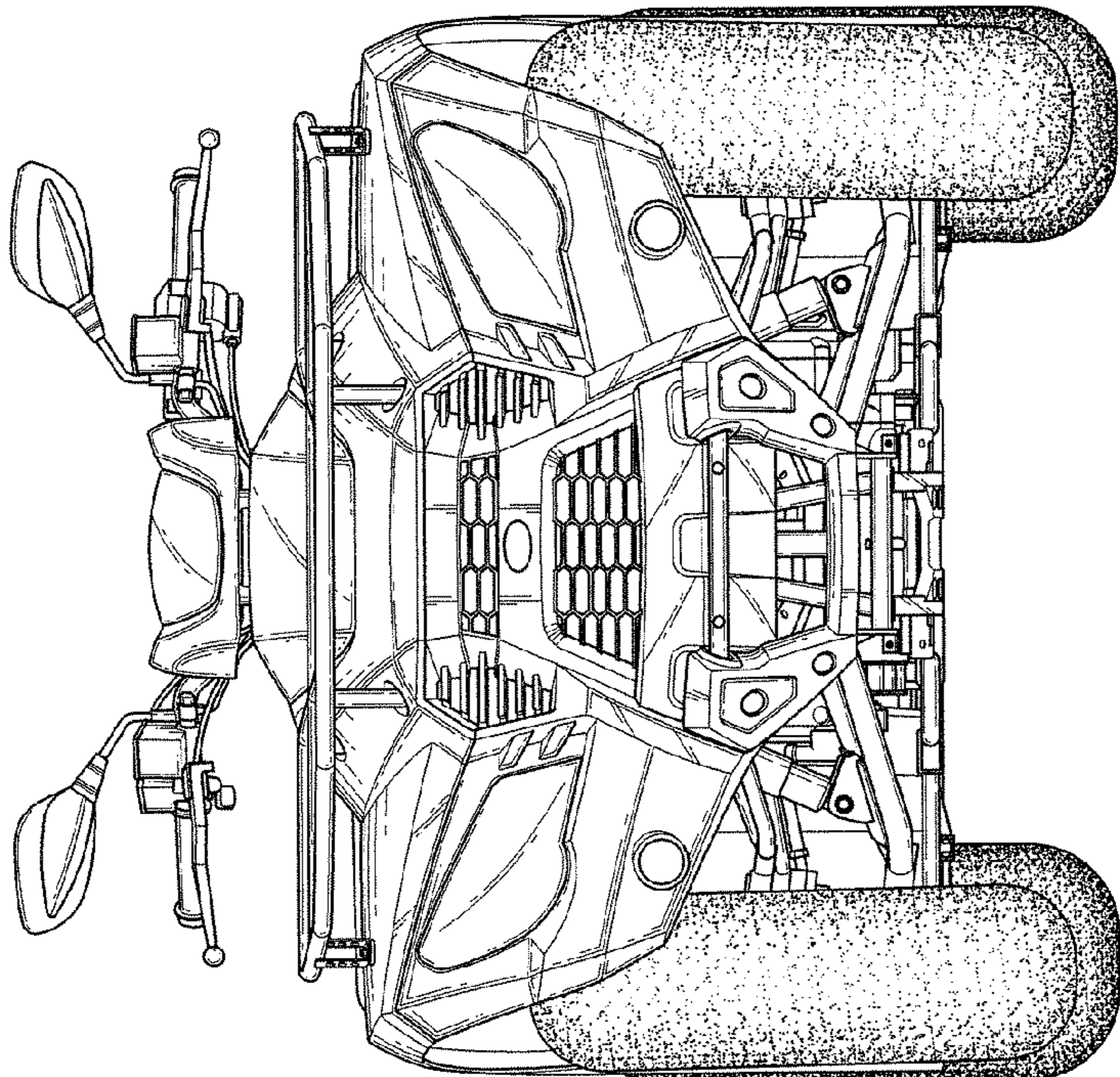


FIG.2

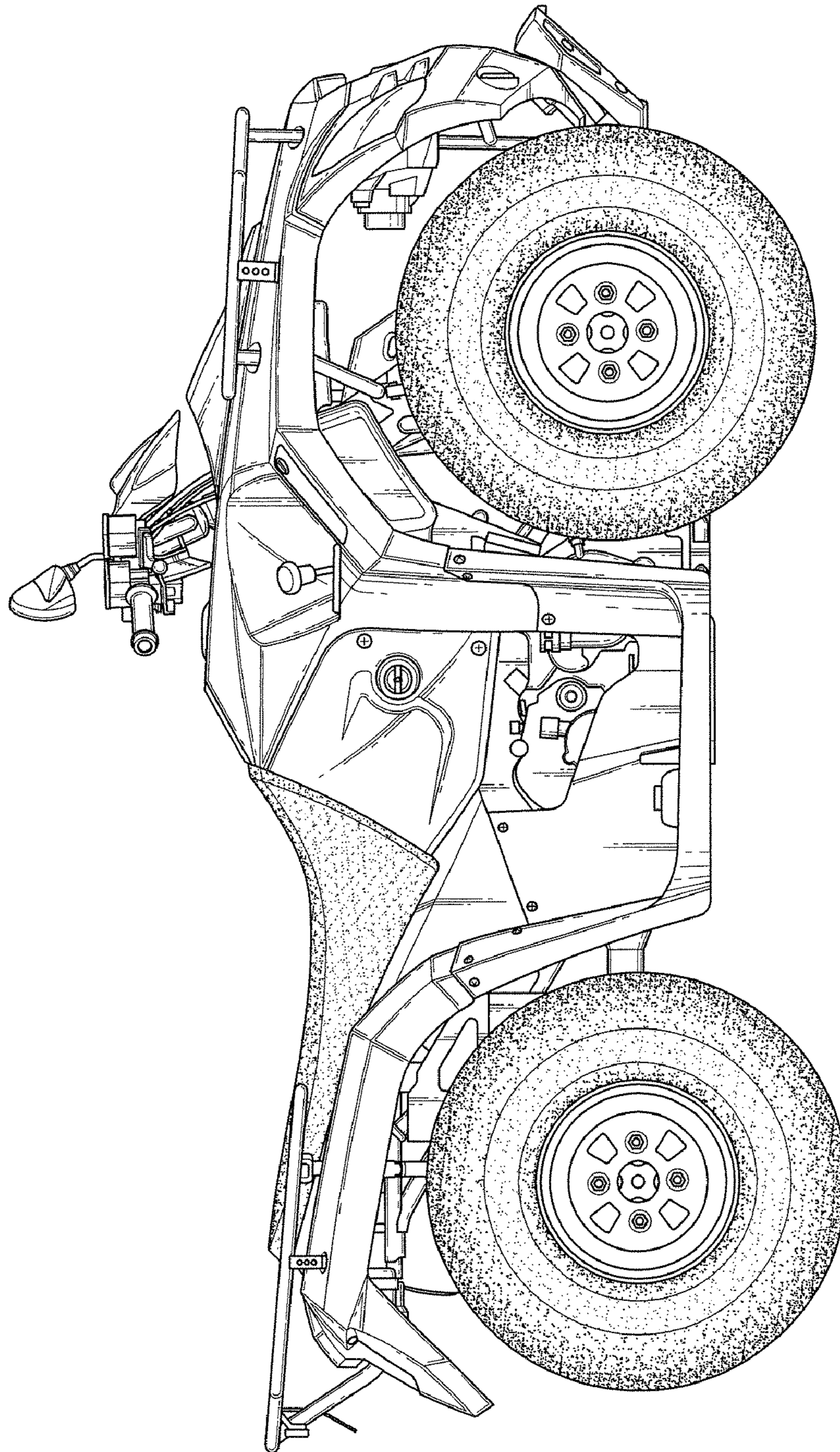


FIG.4

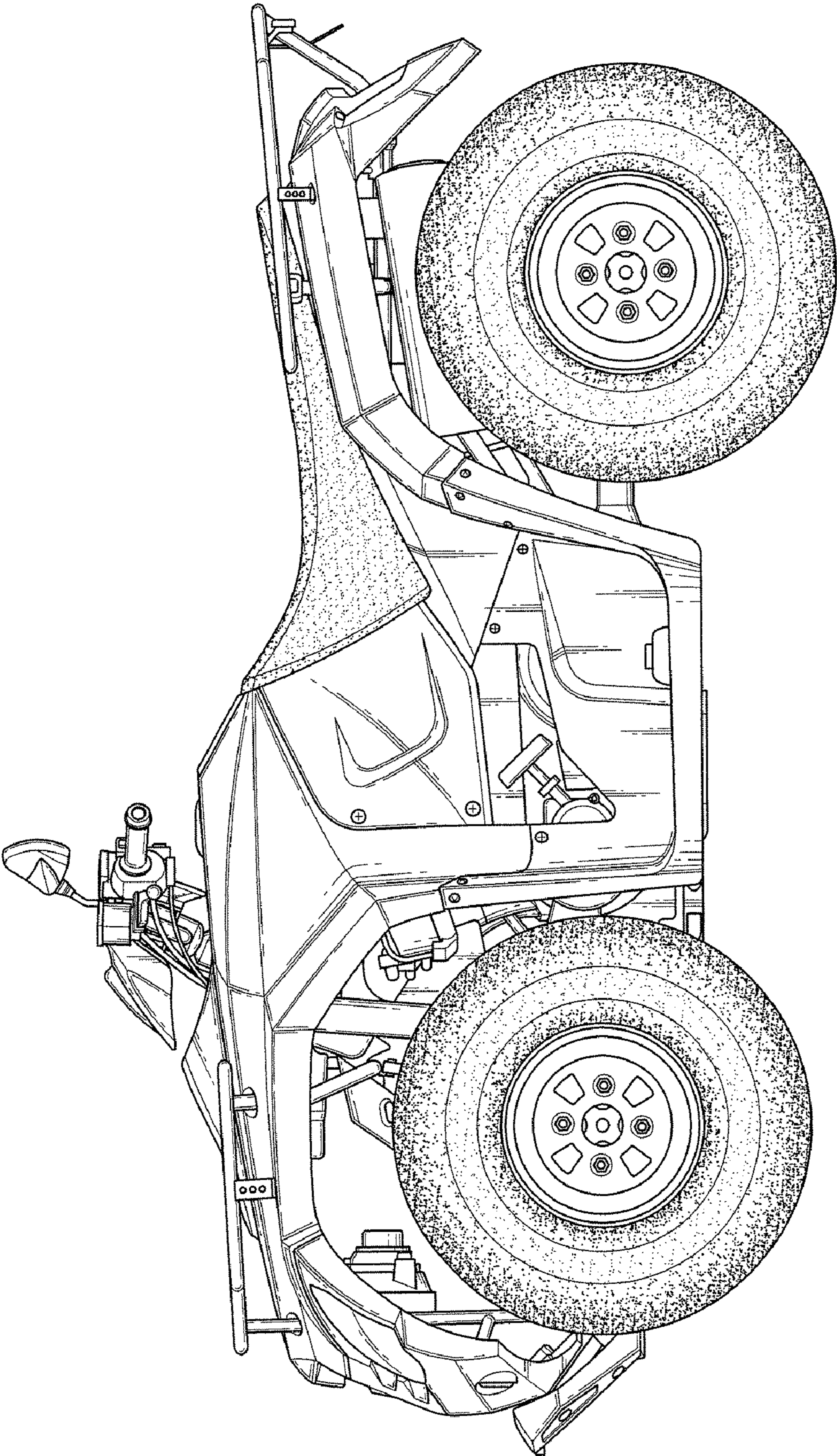


FIG.5

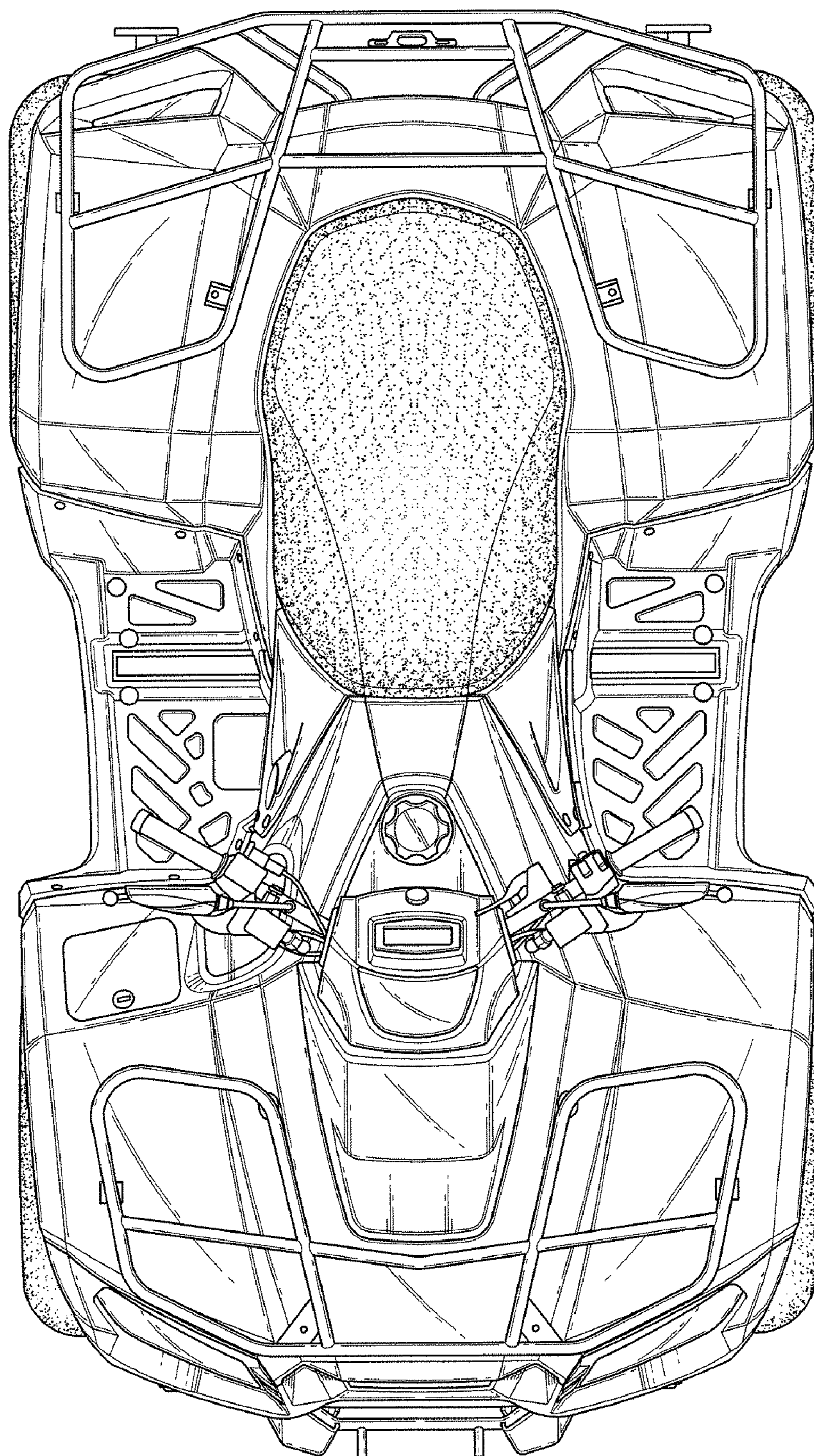


FIG.6

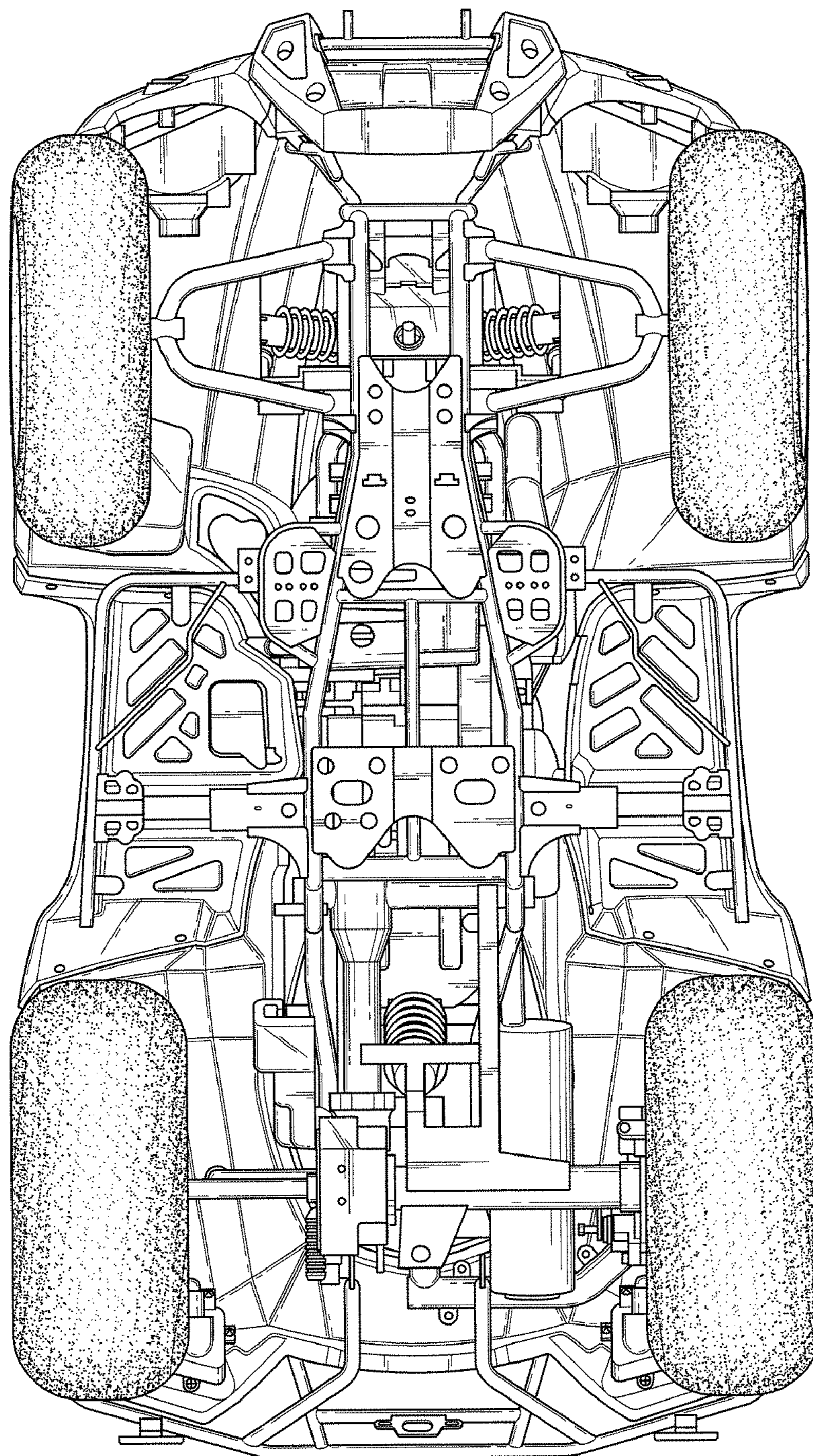


FIG.7