



US00D620383S

(12) **United States Design Patent**
Levy

(10) **Patent No.:** **US D620,383 S**
(45) **Date of Patent:** **** Jul. 27, 2010**

(54) **WATCH ATTACHMENT**

(76) **Inventor:** **Rachel Levy**, 820 E. Coco Plum Cir.,
Plantation, FL (US) 33324

(**) **Term:** **14 Years**

(21) **Appl. No.:** **29/315,548**

(22) **Filed:** **Jul. 2, 2009**

(51) **LOC (9) Cl.** **10-07**

(52) **U.S. Cl.** **D10/128**

(58) **Field of Classification Search** D10/30-39,
D10/122-132; 368/276, 281, 282, 285, 316;
224/172

See application file for complete search history.

(56) **References Cited**

U.S. PATENT DOCUMENTS

1,676,213	A *	7/1928	Bulova	24/115 R
2,443,477	A *	6/1948	Plepla	224/172
2,591,078	A *	4/1952	Lazrus	224/172
2,811,294	A *	10/1957	Sand	224/172
D359,457	S *	6/1995	Visage	D10/30
D361,941	S *	9/1995	Miyazaki	D10/30
D370,637	S *	6/1996	Oba	D10/30
D390,148	S *	2/1998	Brzezinski	D10/30

D398,860	S *	9/1998	Paredes et al.	D10/30
D416,494	S *	11/1999	Pitteloud	D10/30
D423,949	S *	5/2000	Stoll	D10/32
D423,952	S *	5/2000	Inui et al.	D10/39
D424,951	S *	5/2000	Inui et al.	D10/30

* cited by examiner

Primary Examiner—Lucy Lieberman
(74) *Attorney, Agent, or Firm*—Christopher & Weisberg, P.A.

(57) **CLAIM**

The ornamental design for a watch attachment, as shown and described.

DESCRIPTION

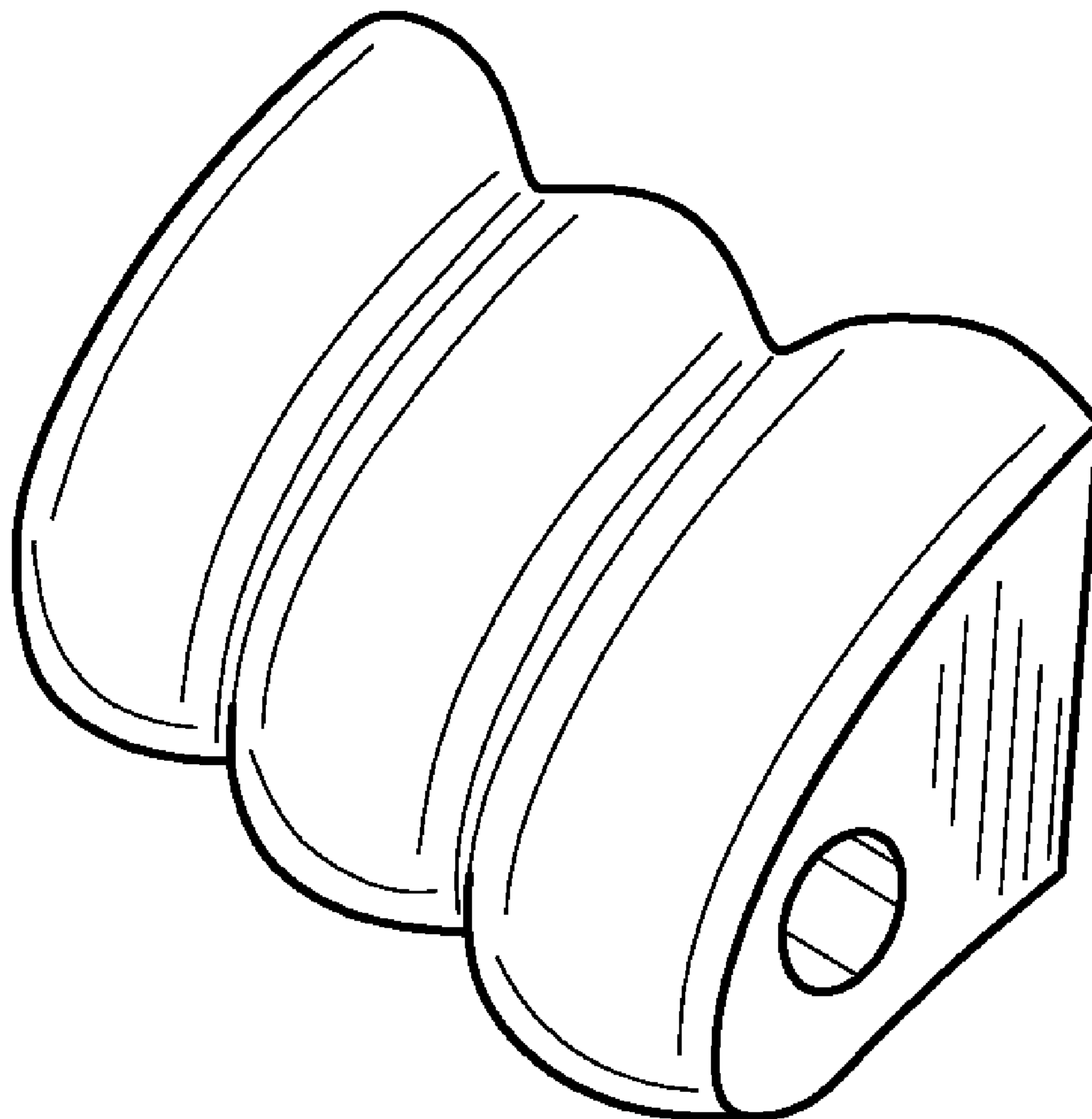
FIG. 1 is a top plan view of the present invention showing that new design.

FIG. 2 is a bottom plan view of the present invention shown in FIG. 1.

FIG. 3 is a right side view of the present invention shown in FIG. 1, the left side view being a mirror image thereof; and,

FIG. 4 is a right, front perspective view of the present invention shown in FIG. 1.

1 Claim, 1 Drawing Sheet



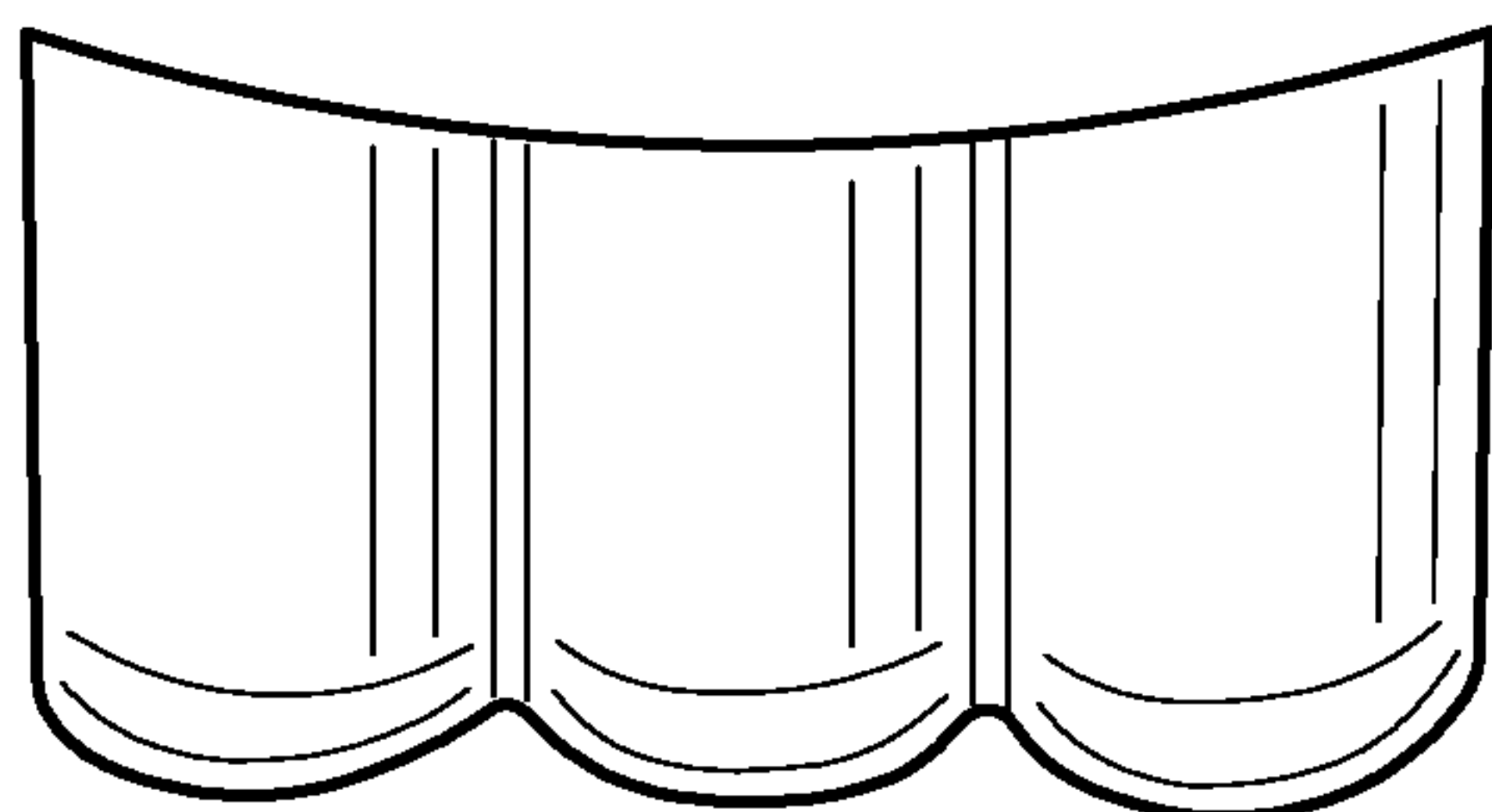


FIGURE 1

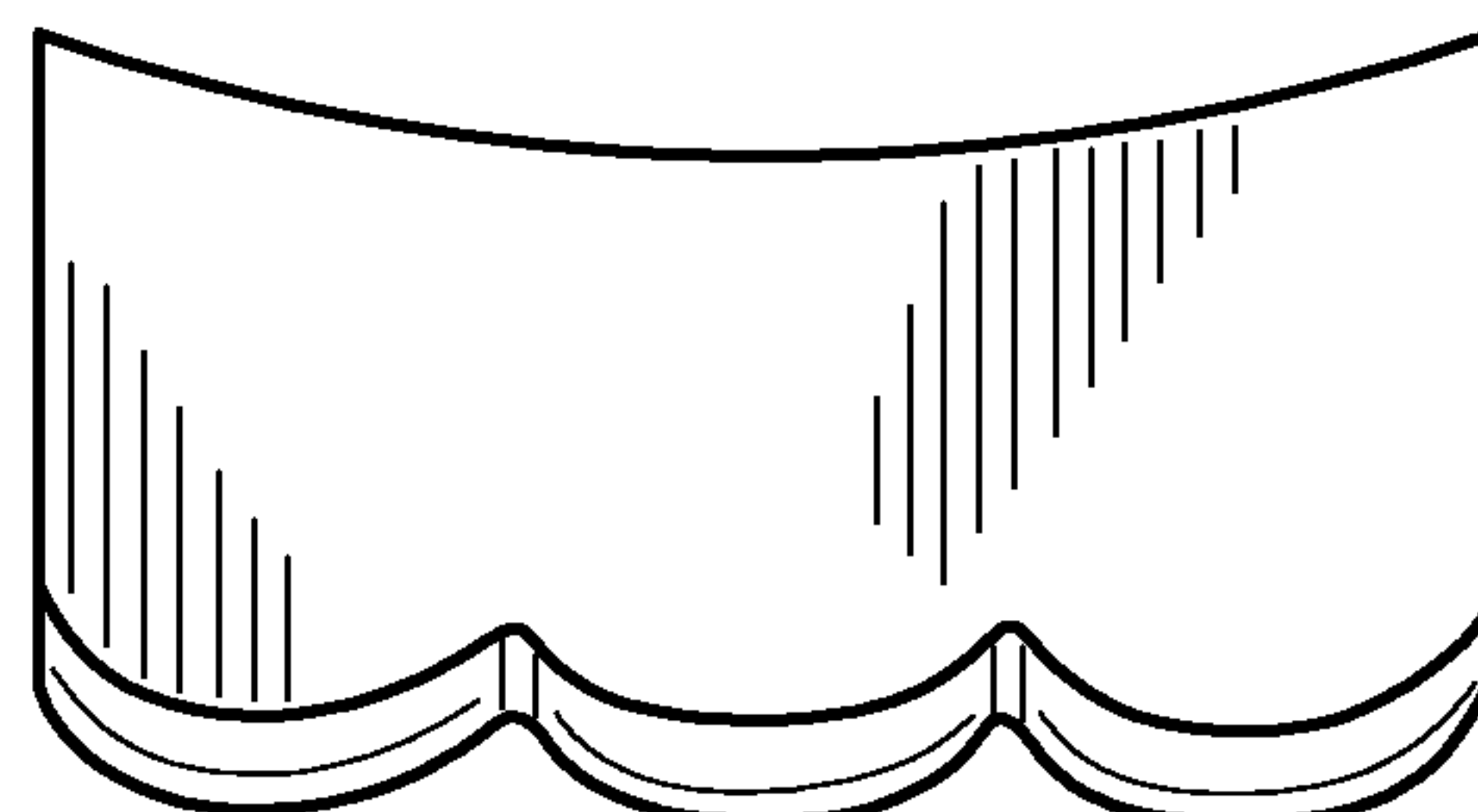


FIGURE 2

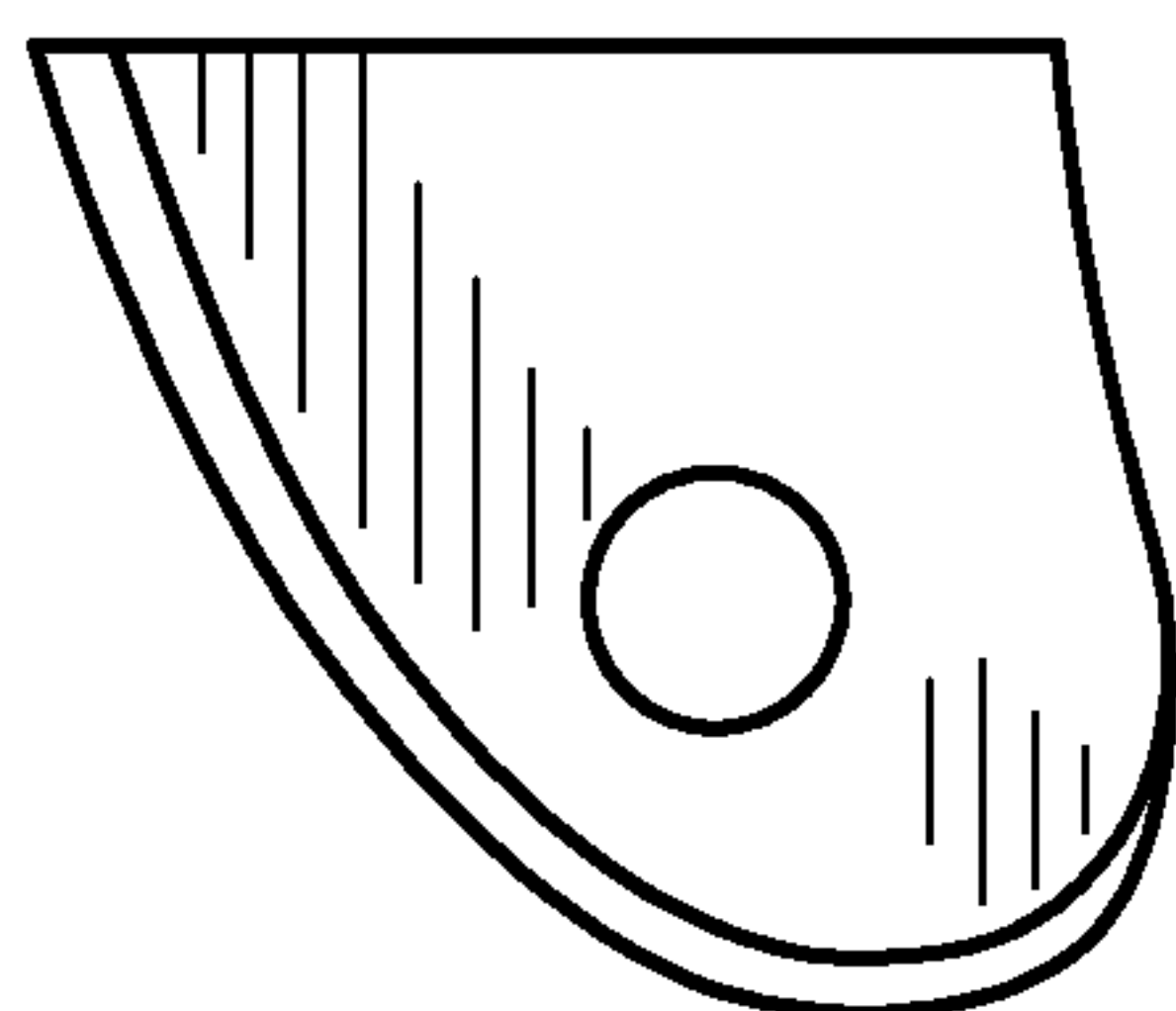


FIGURE 3

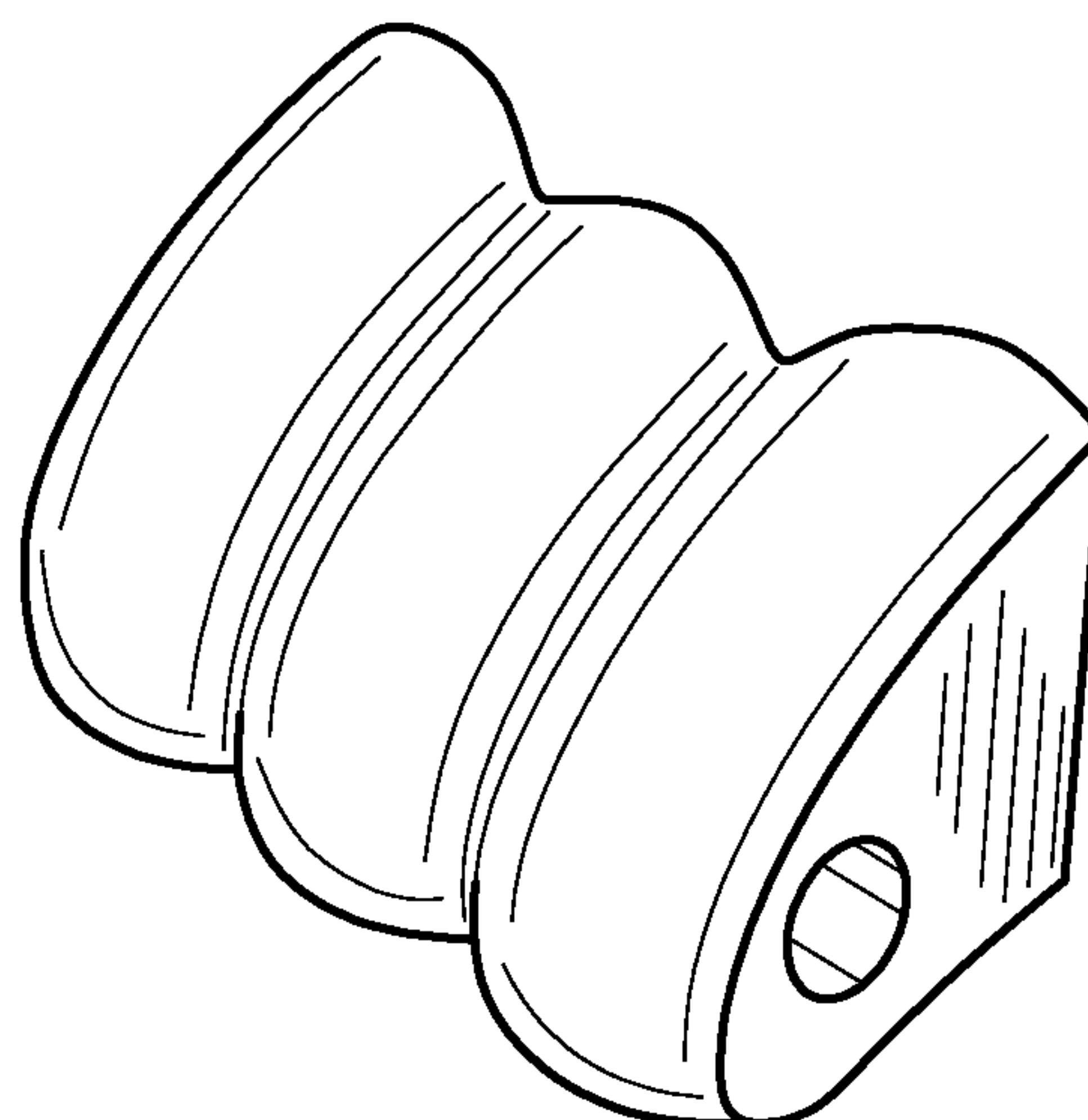


FIGURE 4