



US00D620379S

(12) **United States Design Patent**  
**Delforce et al.**

(10) **Patent No.:** **US D620,379 S**  
(45) **Date of Patent:** **\*\* Jul. 27, 2010**

(54) **INTERFERENCE TEST APPARATUS**

**DESCRIPTION**

(75) Inventors: **Greg Delforce**, Bulimba (AU); **Frank John Strachan**, Jindalee (AU); **John Nankivell**, Bellbowrie (AU); **Warren Schroder**, Kenmore (AU); **Alexander Wall**, Everton Park (AU); **Anthony John Racher**, Alexander Hills (AU)

FIG. 1 is a front perspective view showing our new design for an interference test apparatus and wherein the shaded regions denote textured surfaces;

FIG. 2 is a further front perspective view of the interference test apparatus of FIG. 1 and wherein the shaded regions denote textured surfaces;

(73) Assignee: **Triasx Pty Ltd.**, Murarrie (AU)

FIG. 3 is a rear perspective view of the interference test apparatus of FIG. 1 and wherein the shaded regions denote textured surfaces;

(\*\*) Term: **14 Years**

FIG. 4 is a right side view of the interference test apparatus of FIG. 1 and wherein the shaded regions denote textured surfaces;

(21) Appl. No.: **29/334,575**

FIG. 5 is a left side view of the interference test apparatus of FIG. 1 and wherein the shaded regions denote textured surfaces;

(22) Filed: **Mar. 27, 2009**

(51) **LOC (9) Cl.** ..... **10-04**

FIG. 6 is a top plan view of the interference test apparatus of FIG. 1 with the strap removed for clarity and wherein the shaded regions denote textured surfaces;

(52) **U.S. Cl.** ..... **D10/78**

(58) **Field of Classification Search** ..... D10/46,  
D10/75, 78; 324/66, 67, 158 P, 539-542;  
379/1.01-10.03, 21, 60, 66, 96, 103.01-106.11  
See application file for complete search history.

FIG. 7 is a bottom view showing the interference test apparatus of FIG. 1;

(56) **References Cited**

**U.S. PATENT DOCUMENTS**

D580,805 S \* 11/2008 Lagerberg et al. .... D10/78

**FOREIGN PATENT DOCUMENTS**

AU 12493/2008 5/2008  
EM 000943873-0001 2/2008

FIG. 8 is a front view showing the interference test apparatus of FIG. 1 and wherein the shaded regions denote textured surfaces;

FIG. 9 is a rear view showing the interference test apparatus of FIG. 1;

\* cited by examiner

FIG. 10 is a front perspective view of a second embodiment of the interference test apparatus;

FIG. 11 is a further front perspective view of the interference test apparatus of FIG. 10;

*Primary Examiner*—Antoine D Davis  
(74) *Attorney, Agent, or Firm*—The Danamraj Law Group, P.C.

FIG. 12 is a rear perspective view of the interference test apparatus of FIG. 10;

FIG. 13 is a right side view of the interference test apparatus of FIG. 10;

(57) **CLAIM**

The ornamental design for an interference test apparatus, as shown and described.

FIG. 14 is a left side view of the interference test apparatus of FIG. 10;

FIG. 15 is a top plan view of the interference test apparatus of FIG. 10

FIG. 16 is a bottom view showing the interference test apparatus of FIG. 10;

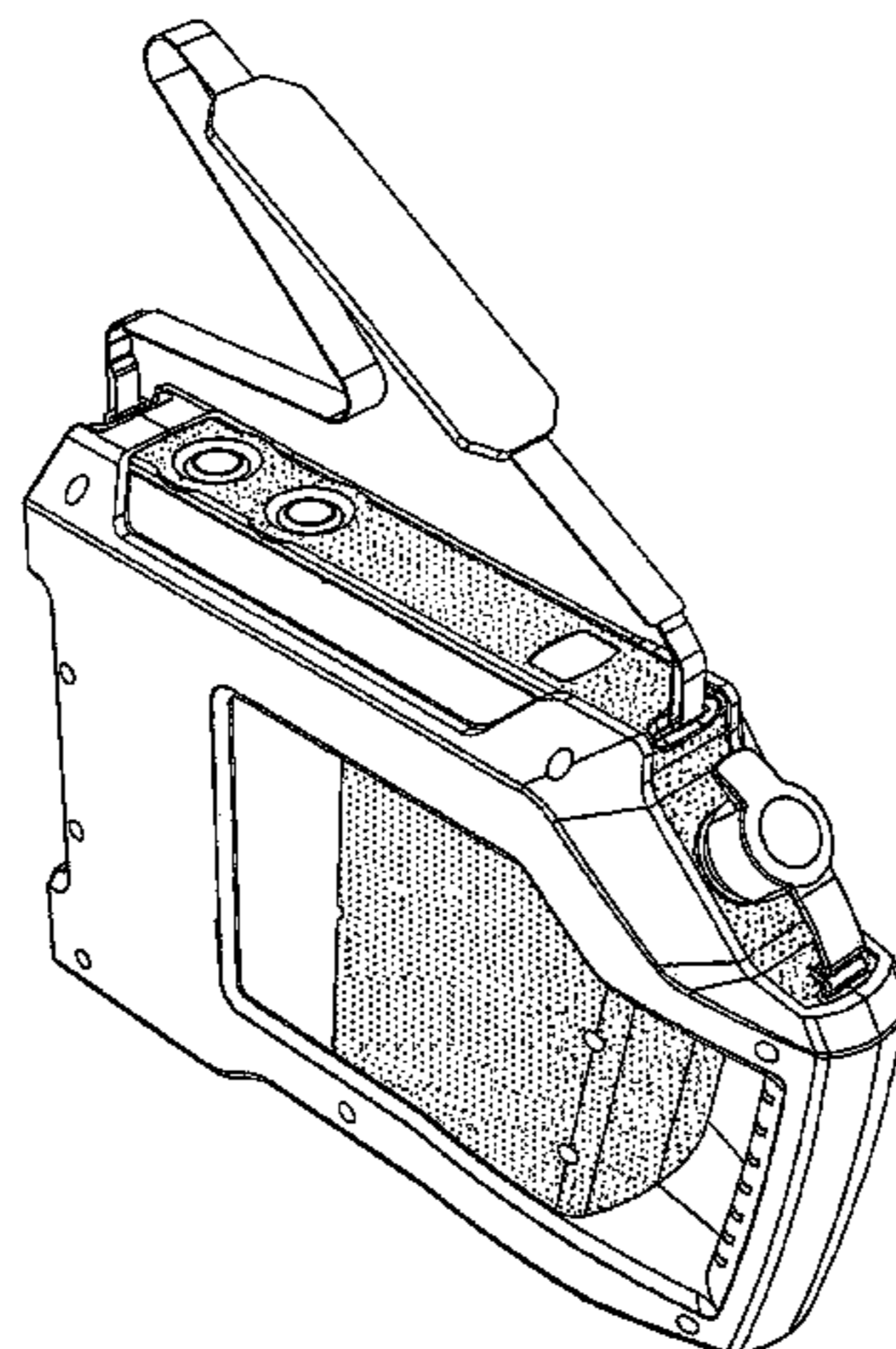


FIG. 17 is a front view showing the interference test apparatus of FIG. 10;

FIG. 18 is a rear view showing the interference test apparatus of FIG. 10

FIG. 19 is a front perspective view of a third embodiment of the interference test apparatus;

FIG. 20 is a further front perspective view of the interference test apparatus of FIG. 19;

FIG. 21 is a rear perspective view of the interference test apparatus of FIG. 19;

FIG. 22 is a right side view of the interference test apparatus of FIG. 19;

FIG. 23 is a left side view of the interference test apparatus of FIG. 19;

FIG. 24 is a top plan view of the interference test apparatus of FIG. 19 with the strap removed for clarity;

FIG. 25 is a bottom view showing the interference test apparatus of FIG. 19;

FIG. 26 is a front view showing the interference test apparatus of FIG. 19; and,

FIG. 27 is a rear view showing the interference test apparatus of FIG. 19.

**1 Claim, 21 Drawing Sheets**

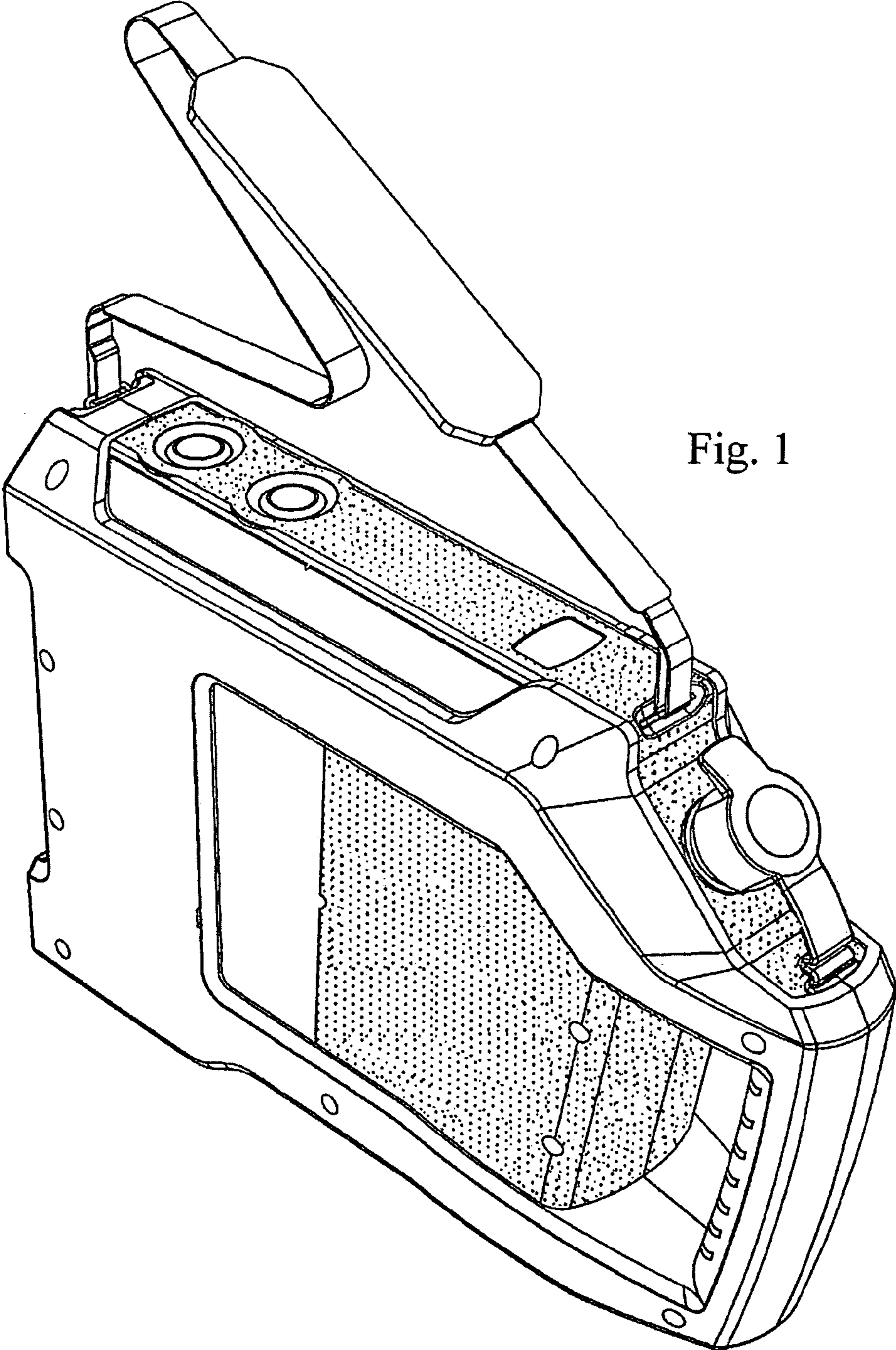


Fig. 1

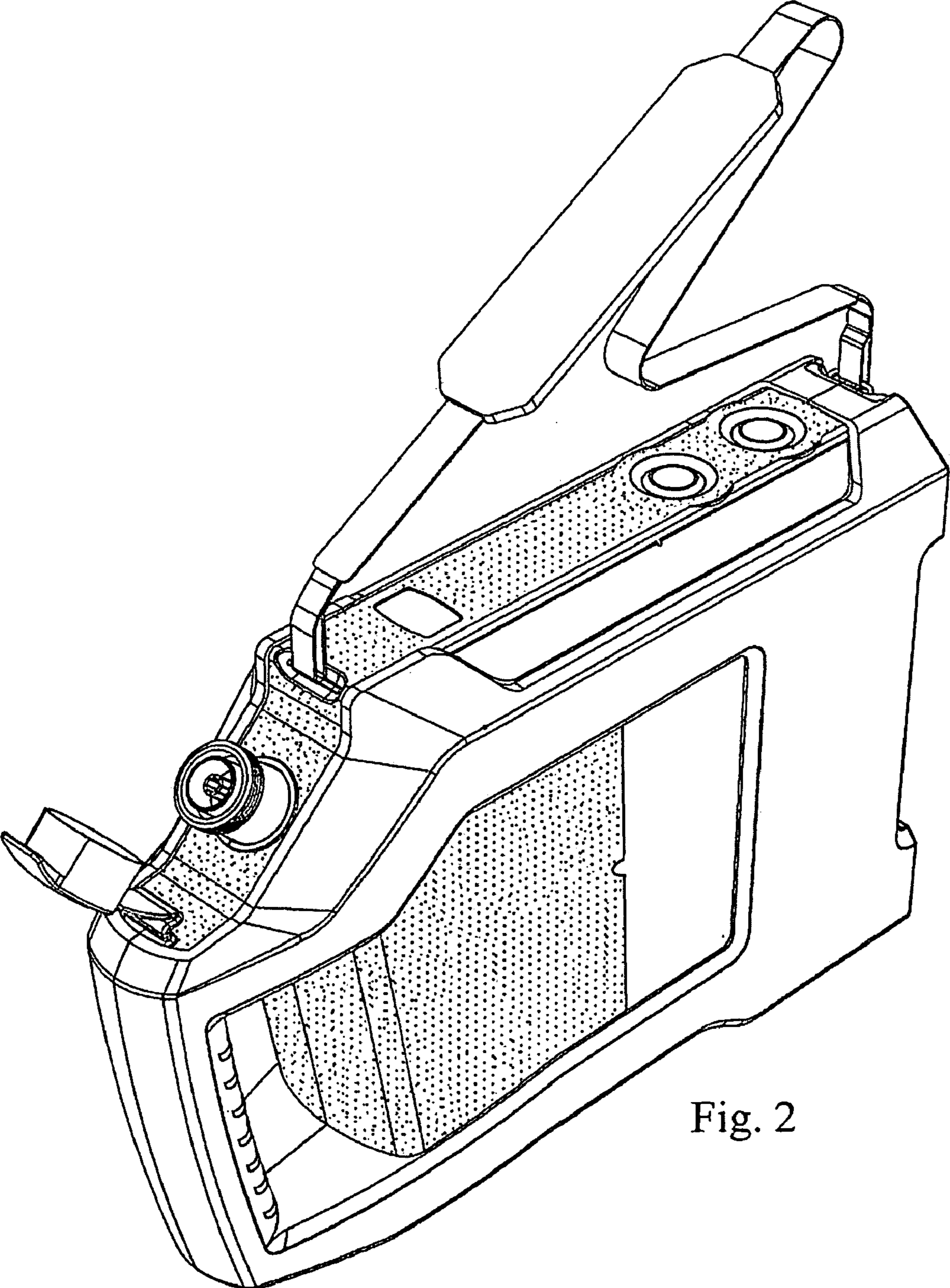


Fig. 2

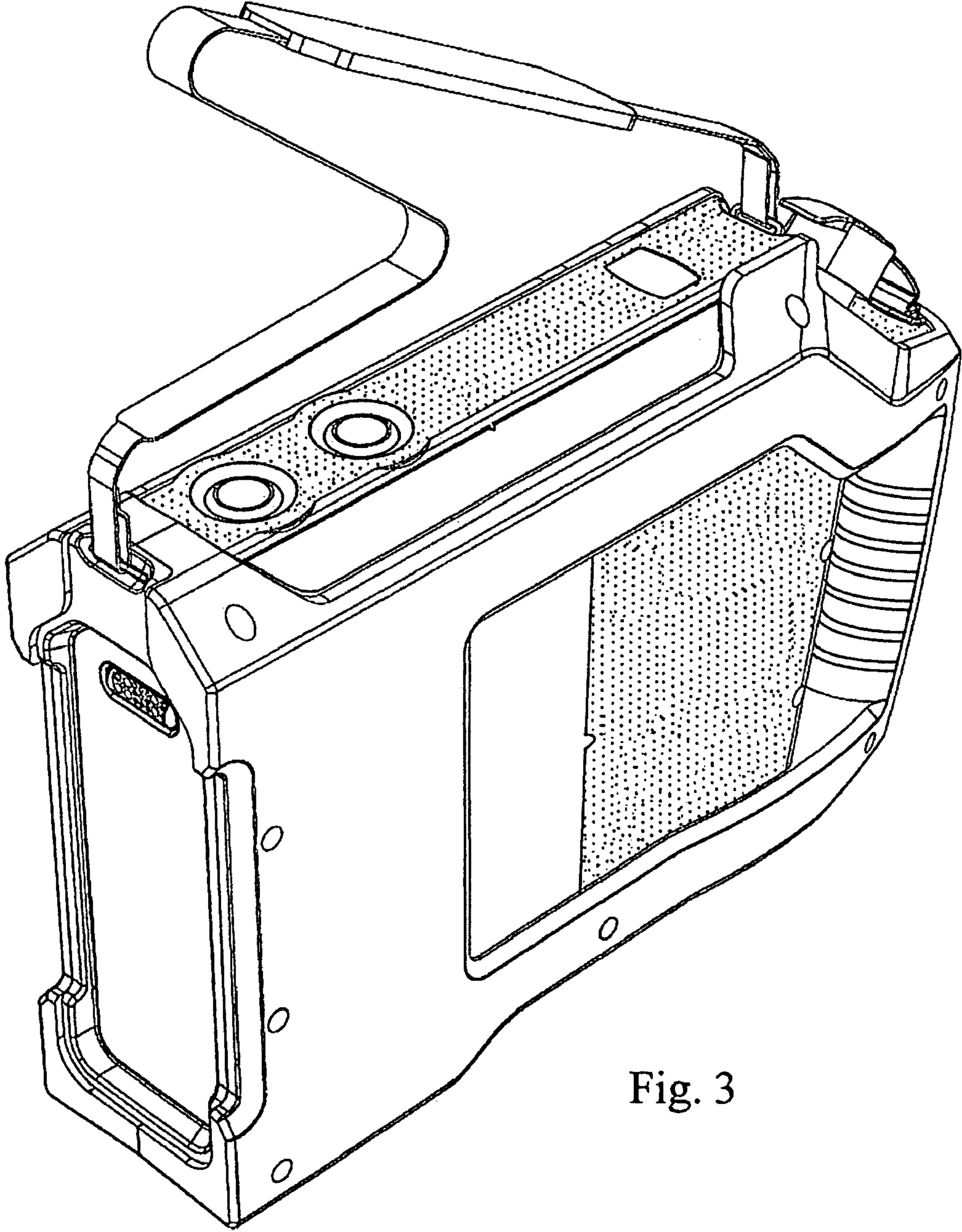


Fig. 3

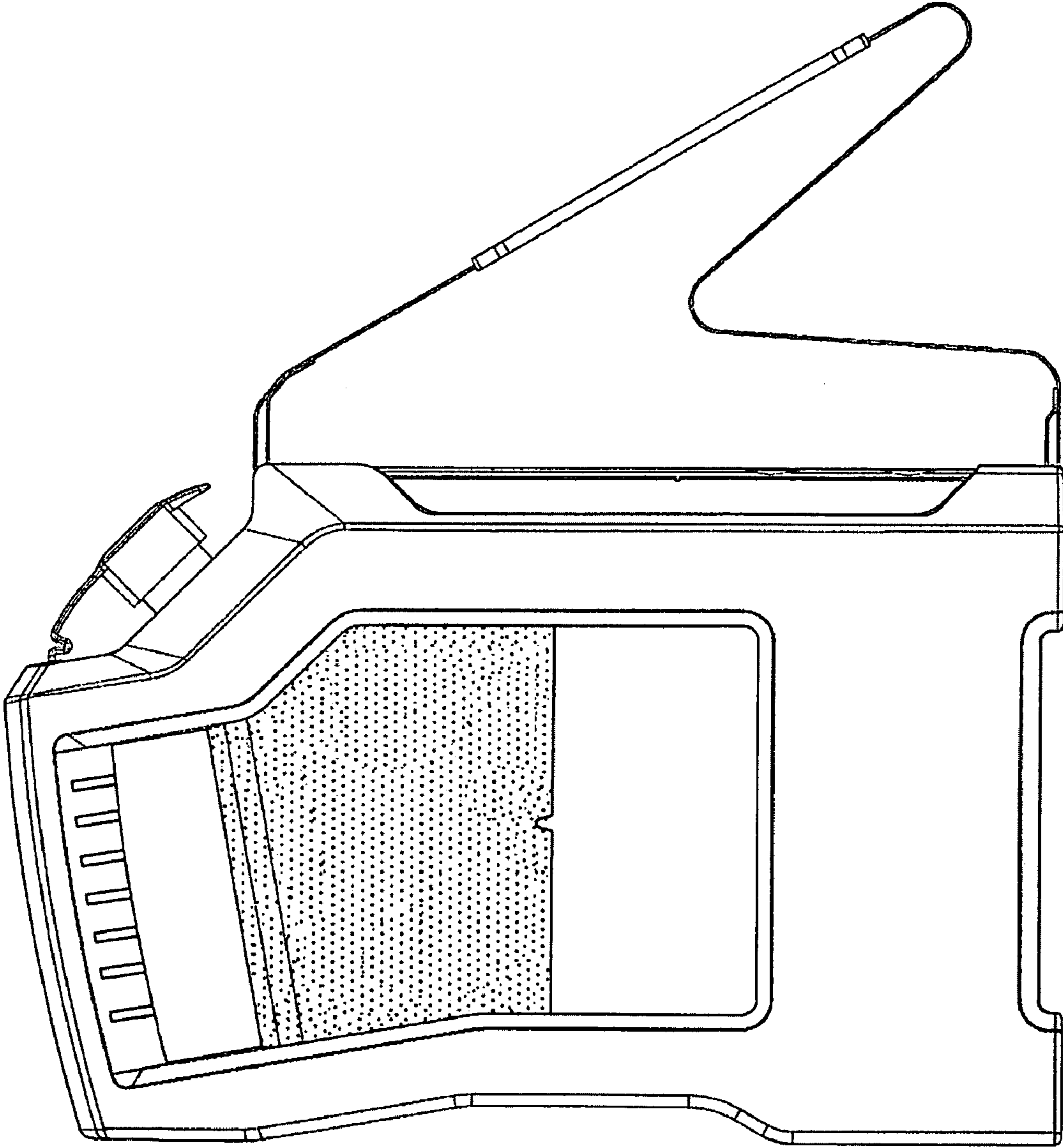


Fig. 4

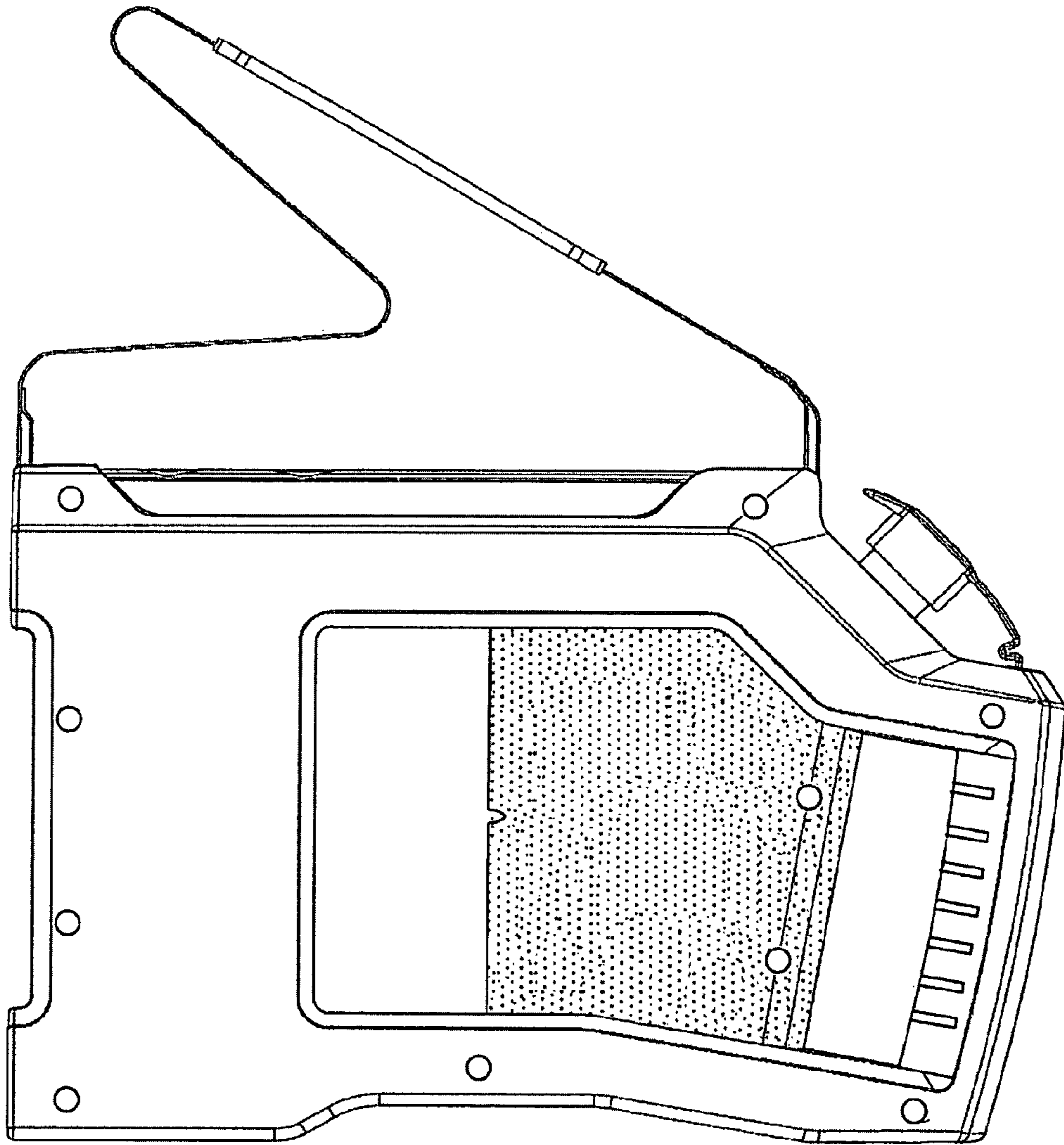


Fig. 5

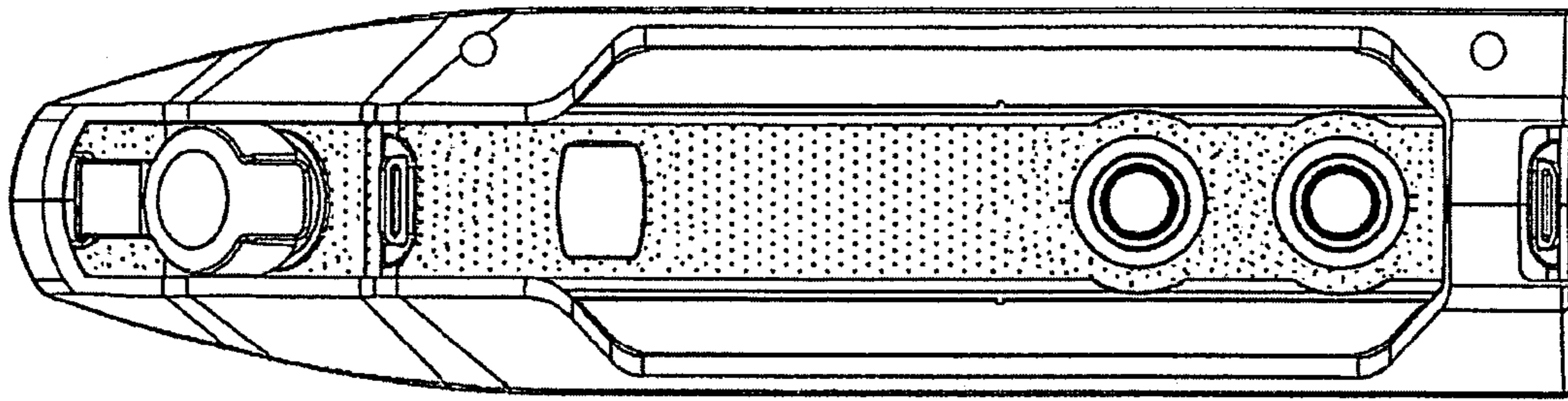


Fig. 6

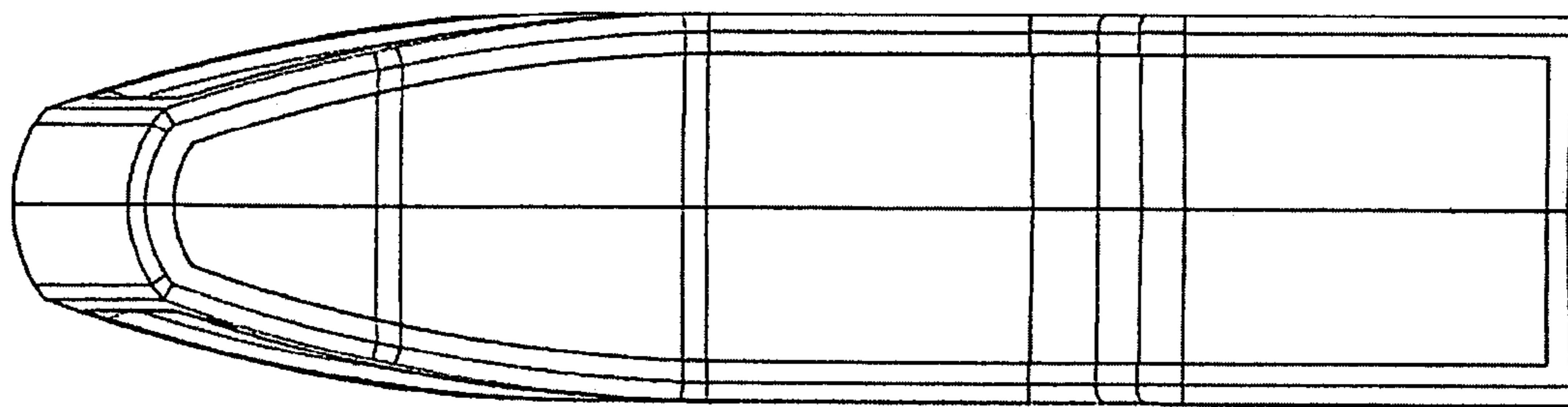


Fig. 7



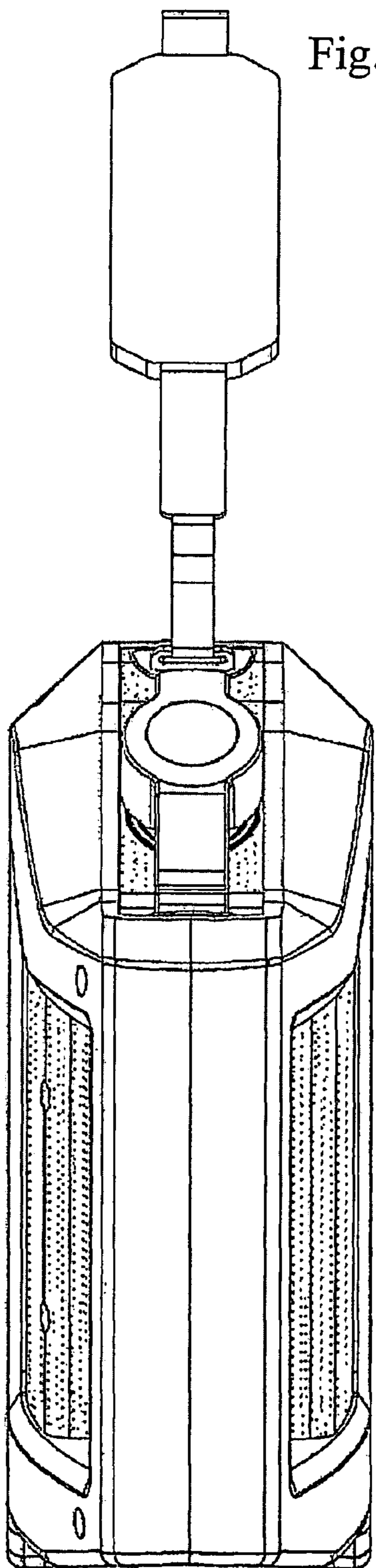


Fig. 8

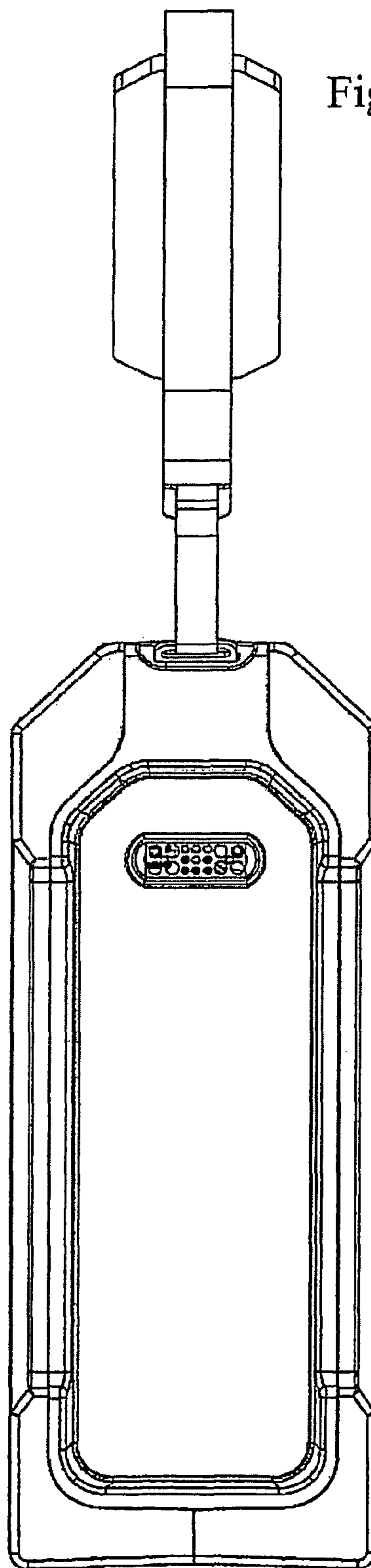


Fig. 9

Fig. 10

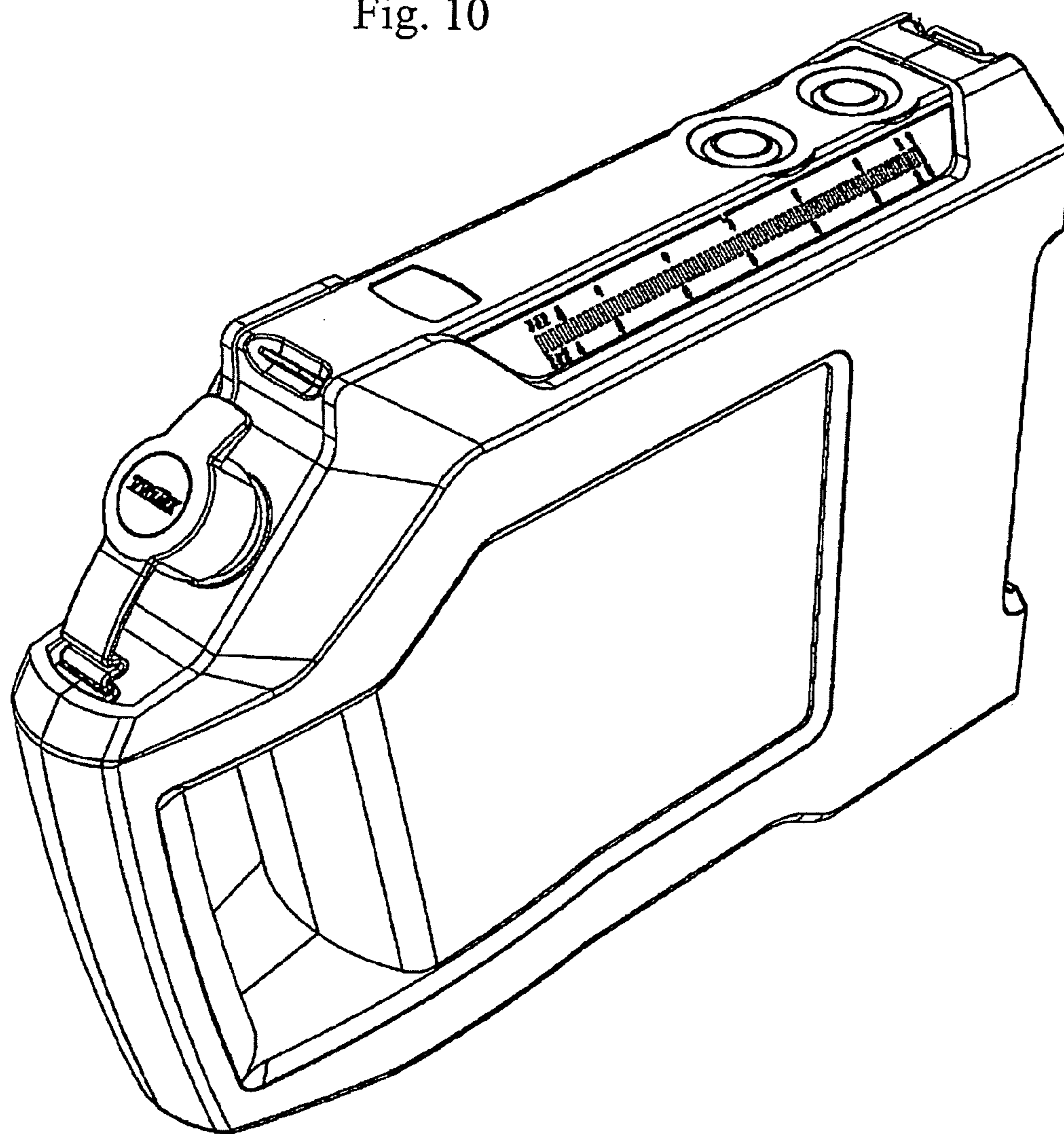
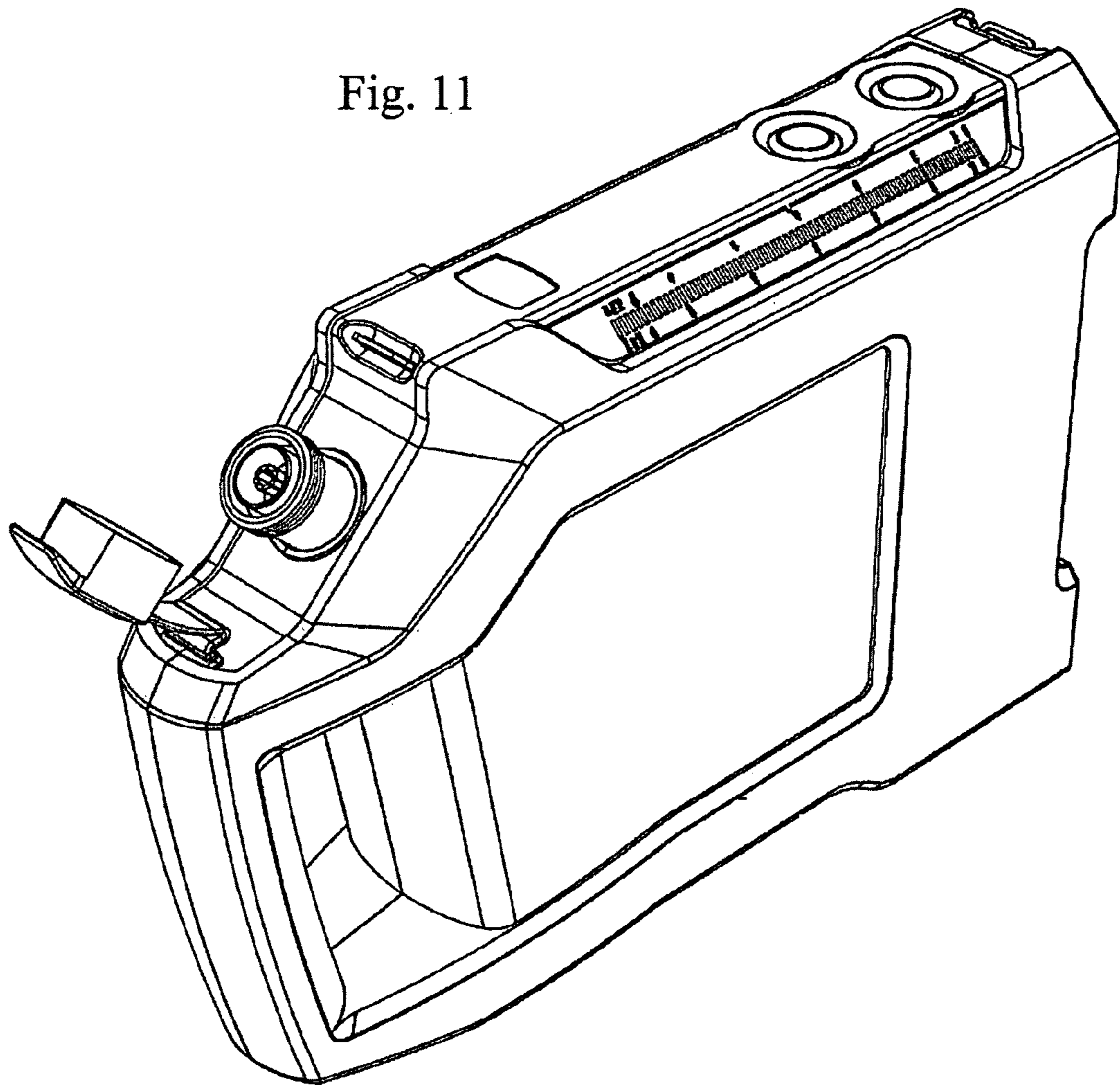


Fig. 11



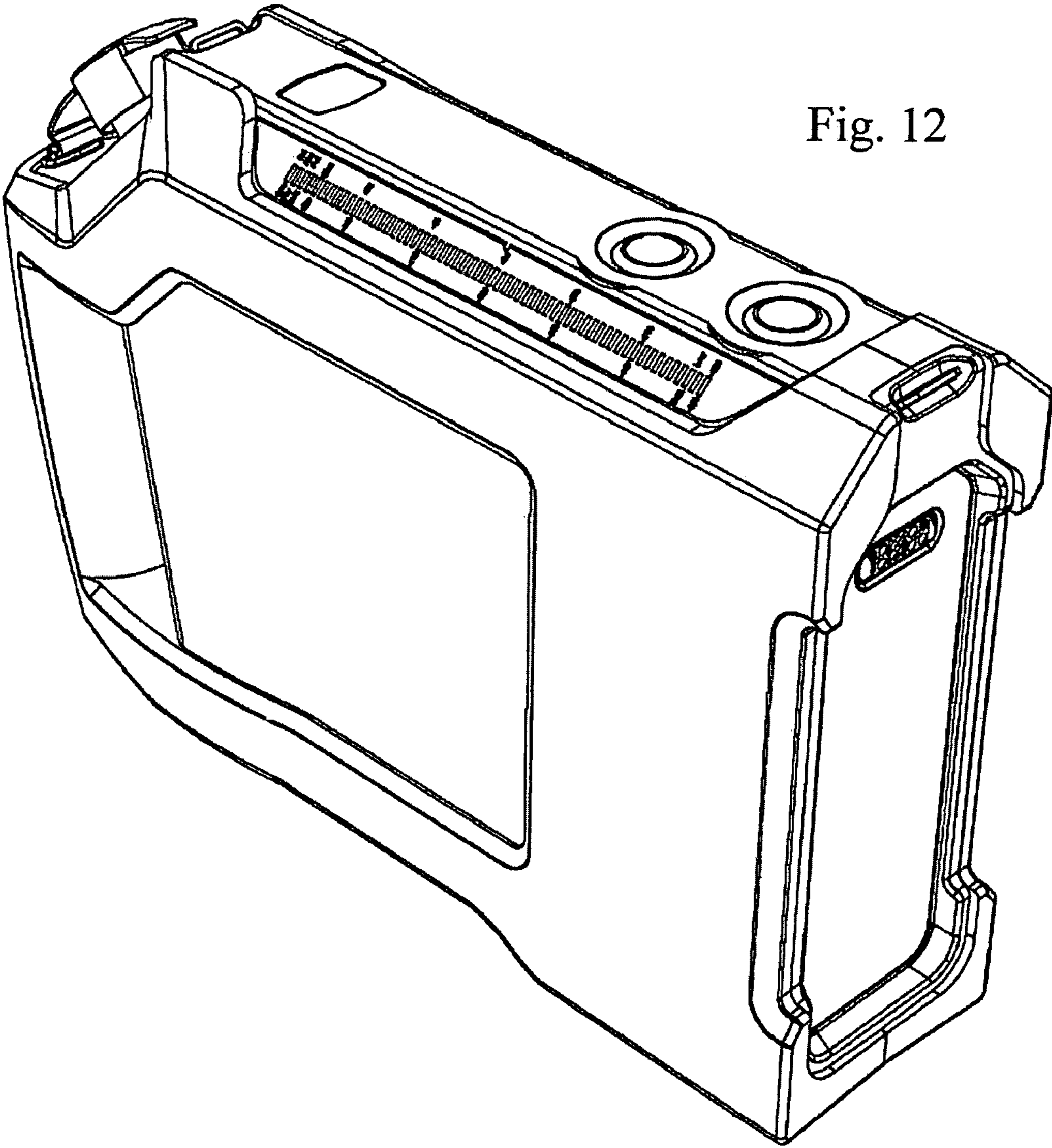


Fig. 12

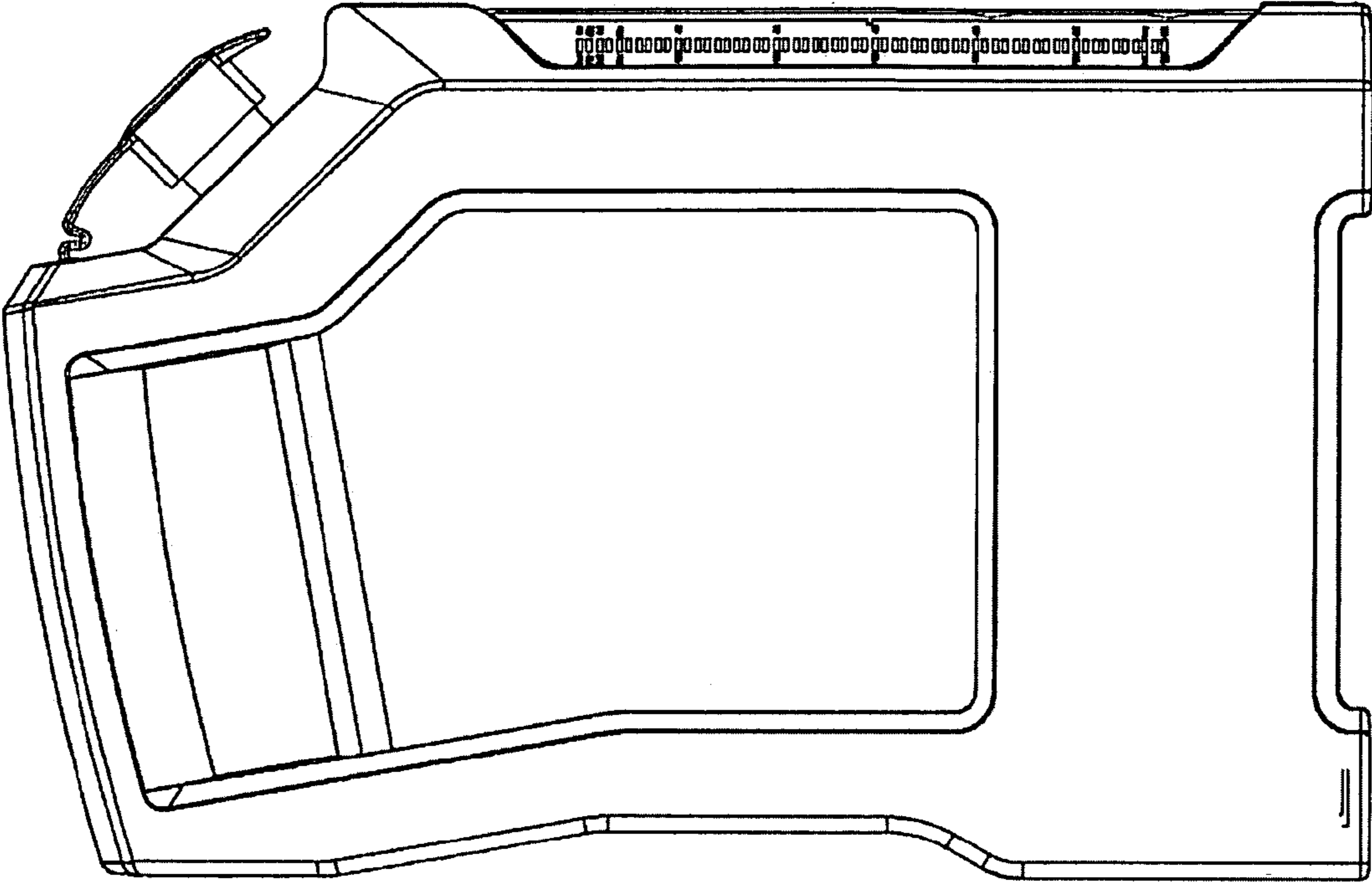


Fig. 13

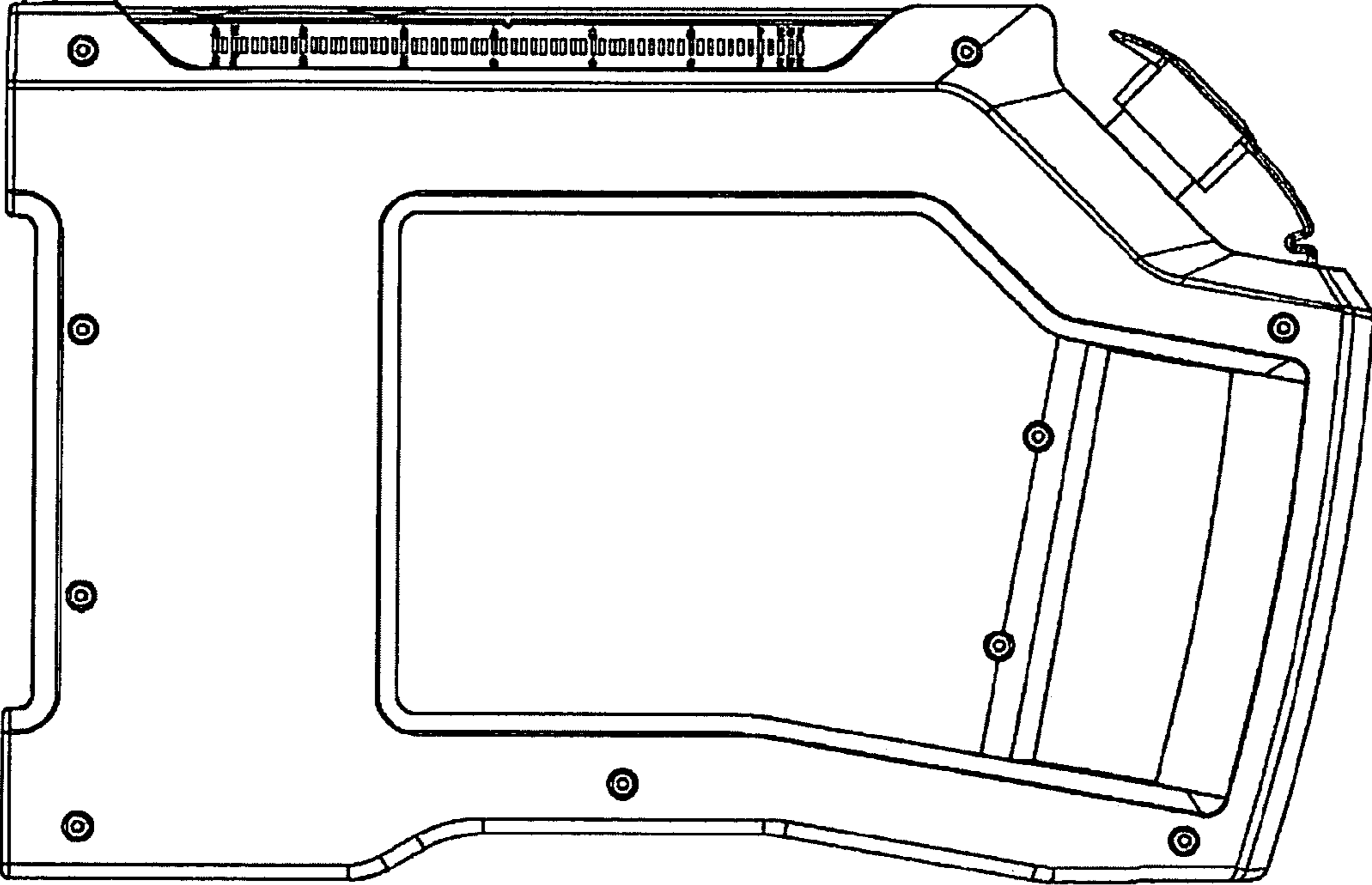


Fig. 14

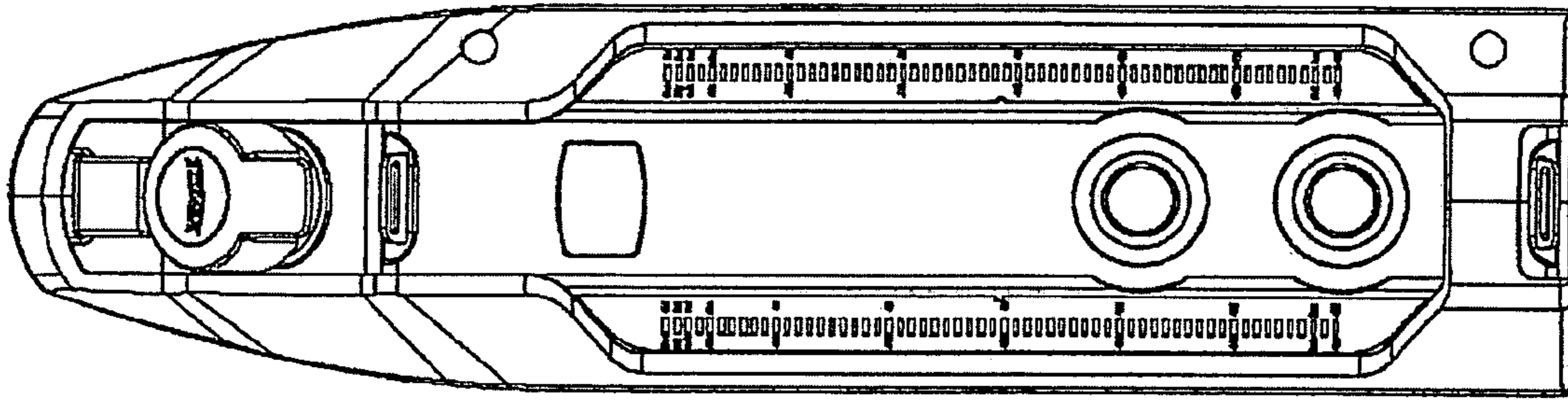


Fig. 15

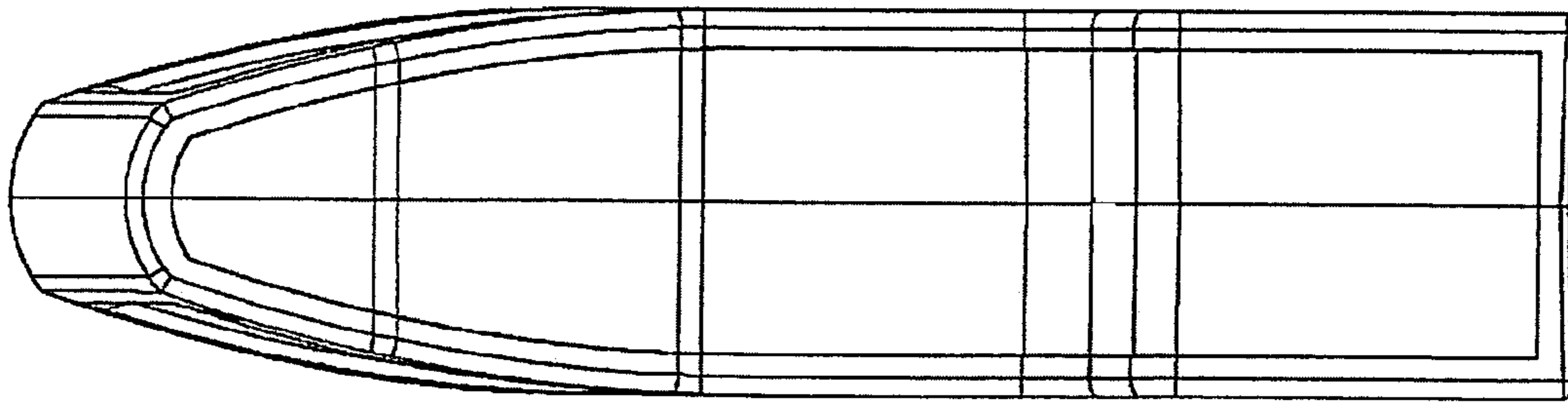


Fig. 16

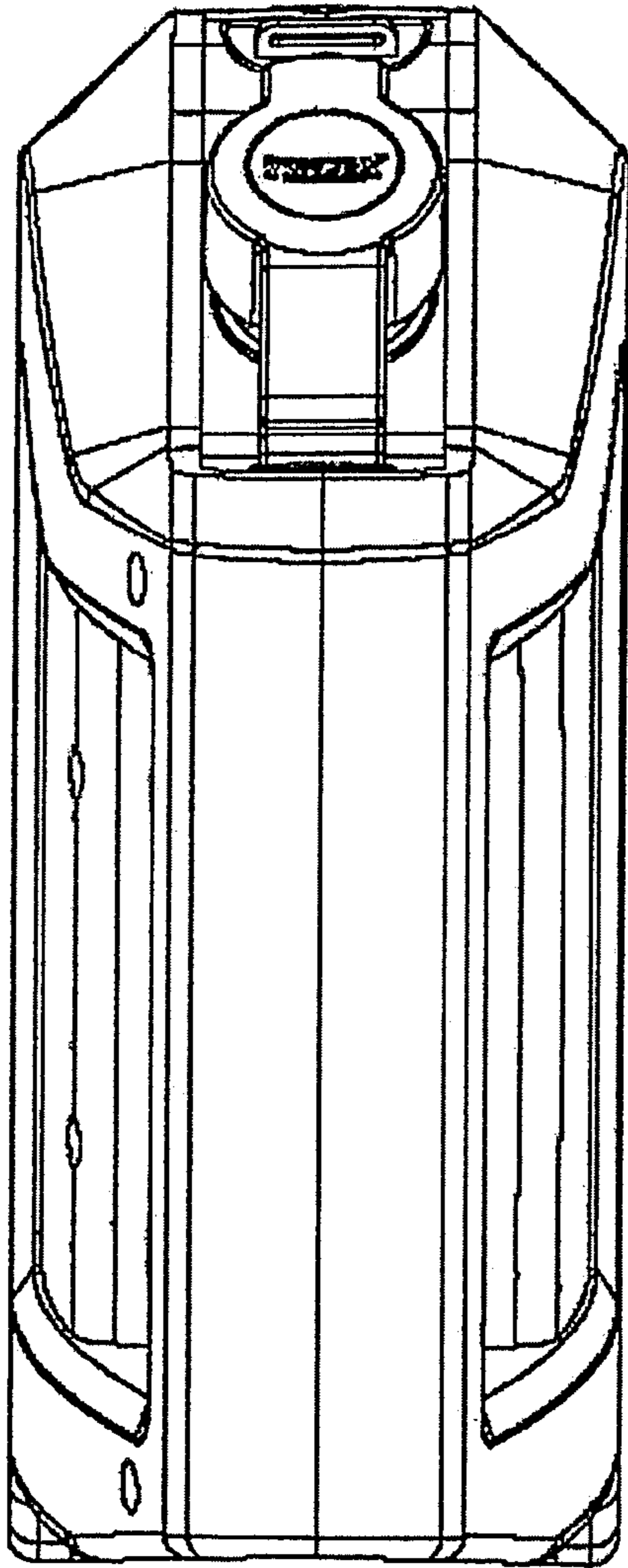


Fig. 17

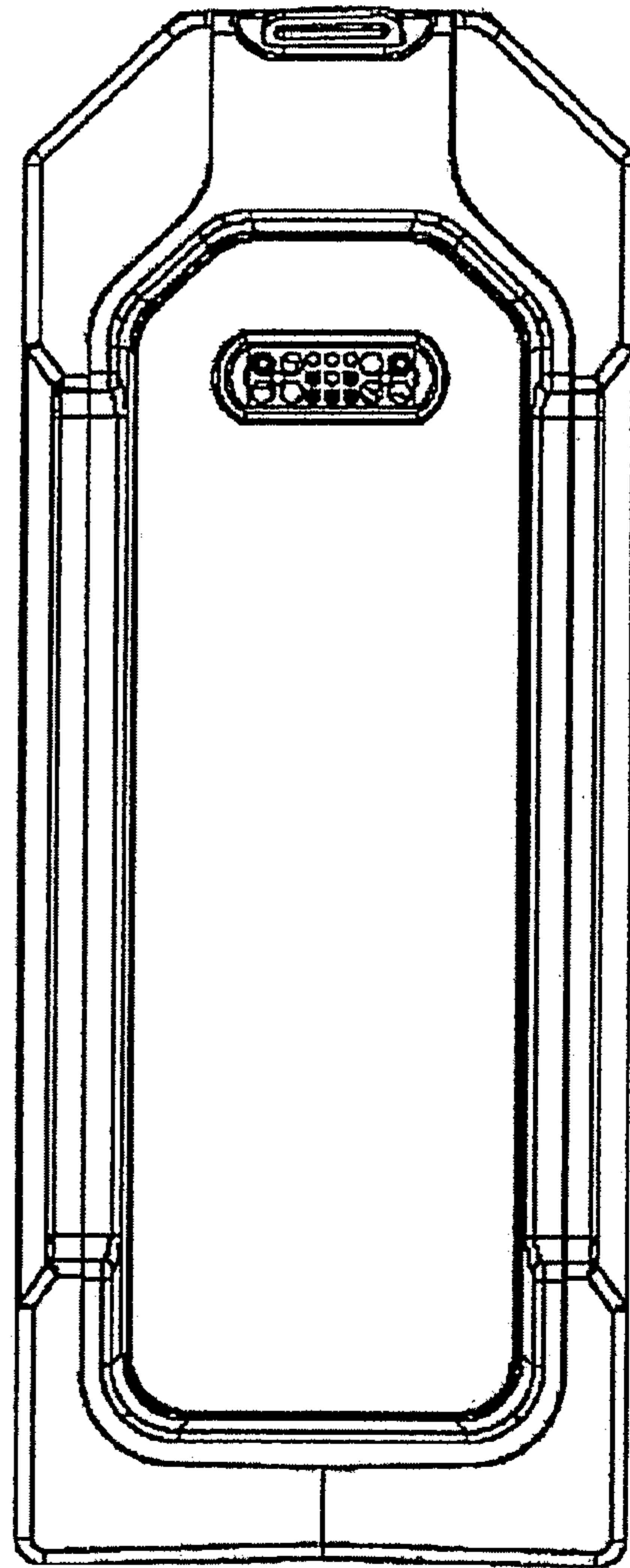


Fig. 18



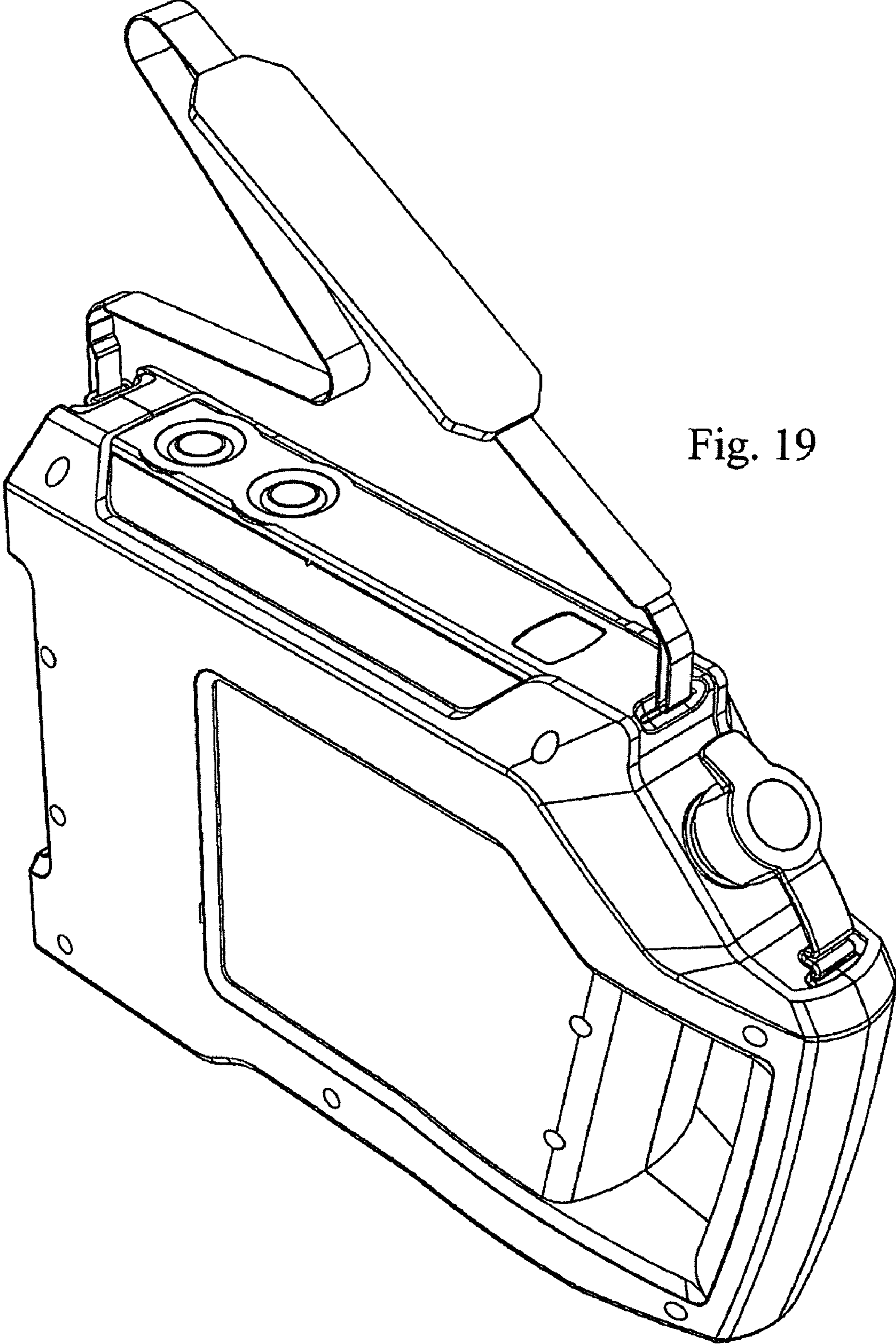


Fig. 19

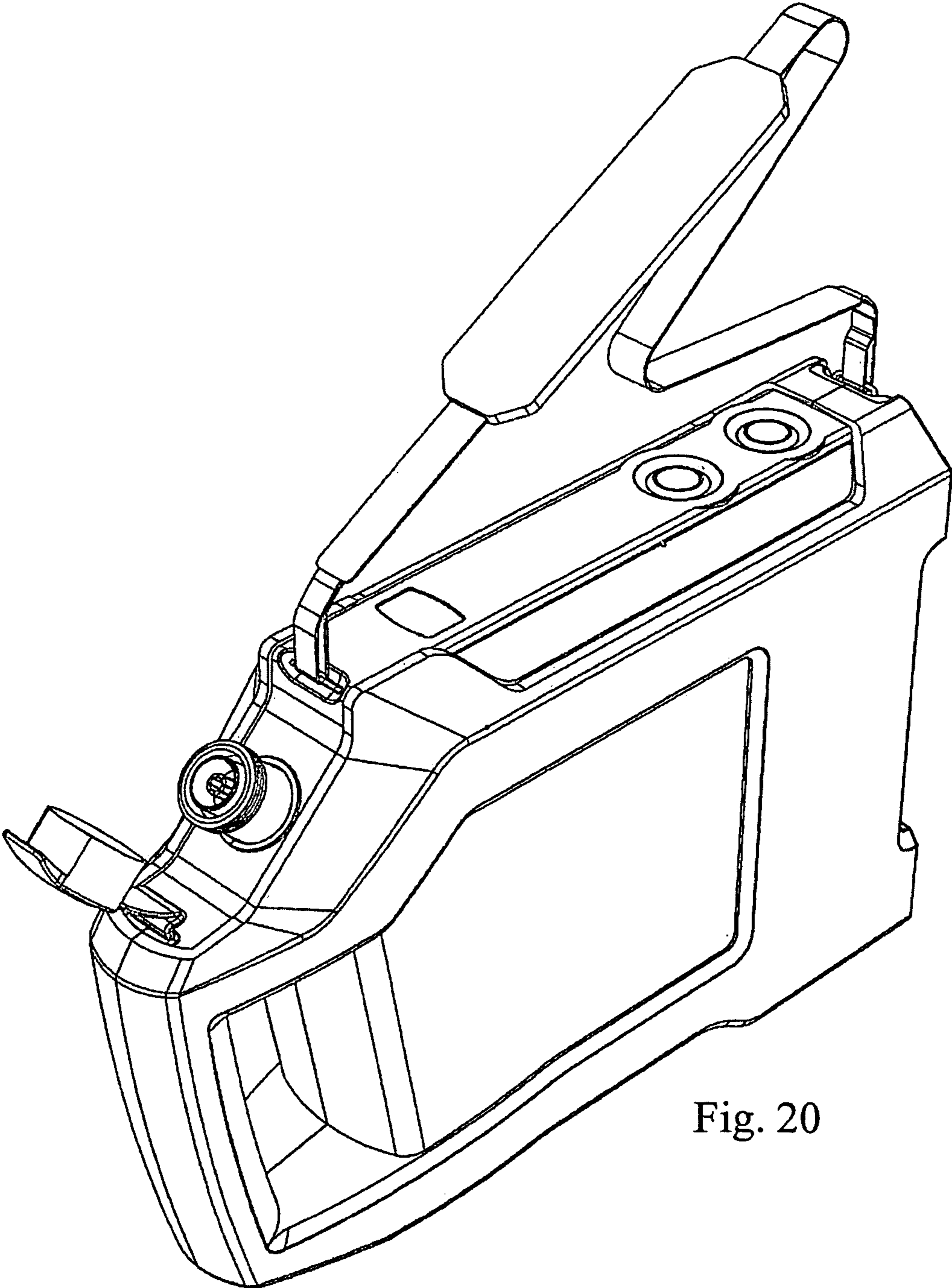


Fig. 20

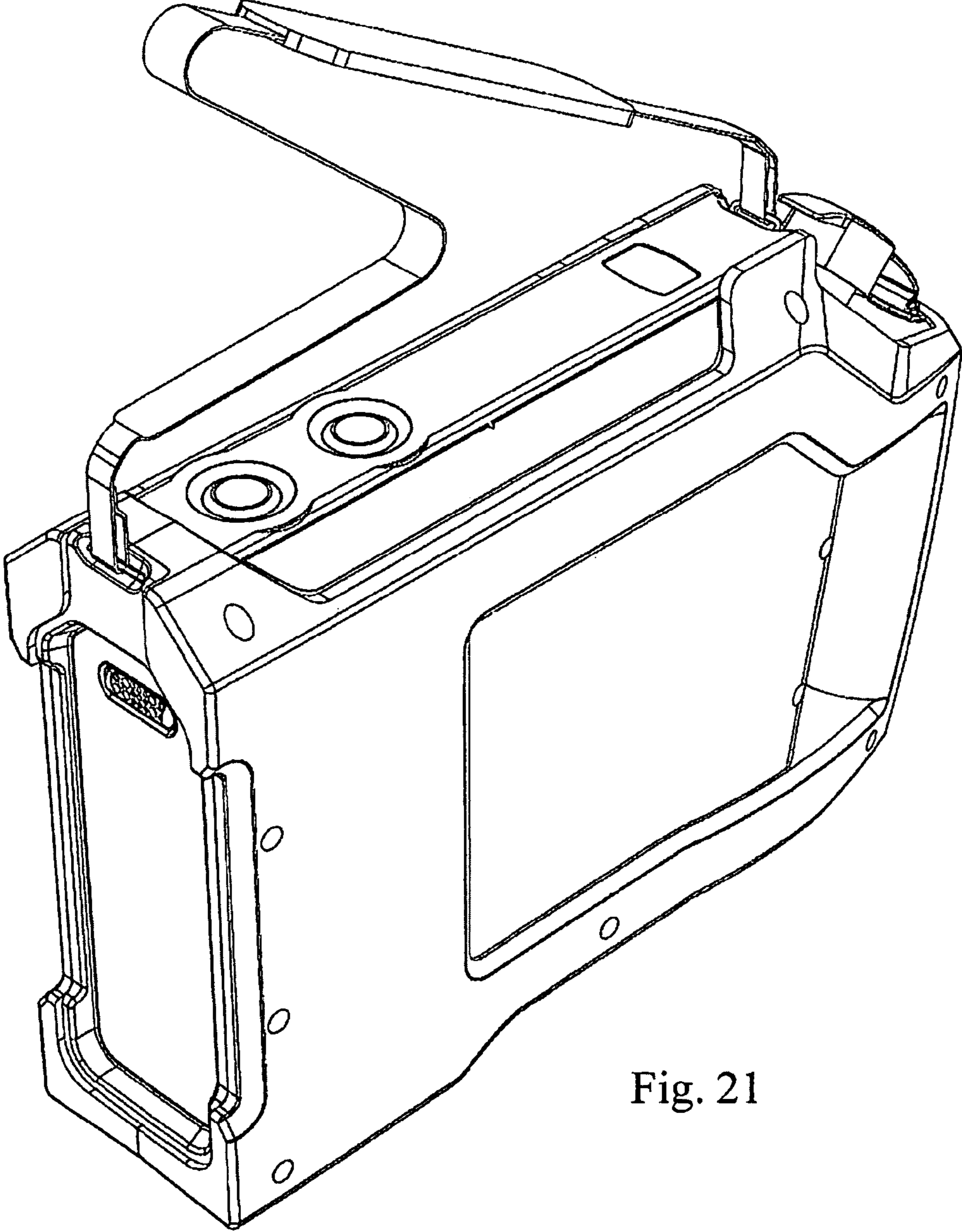


Fig. 21

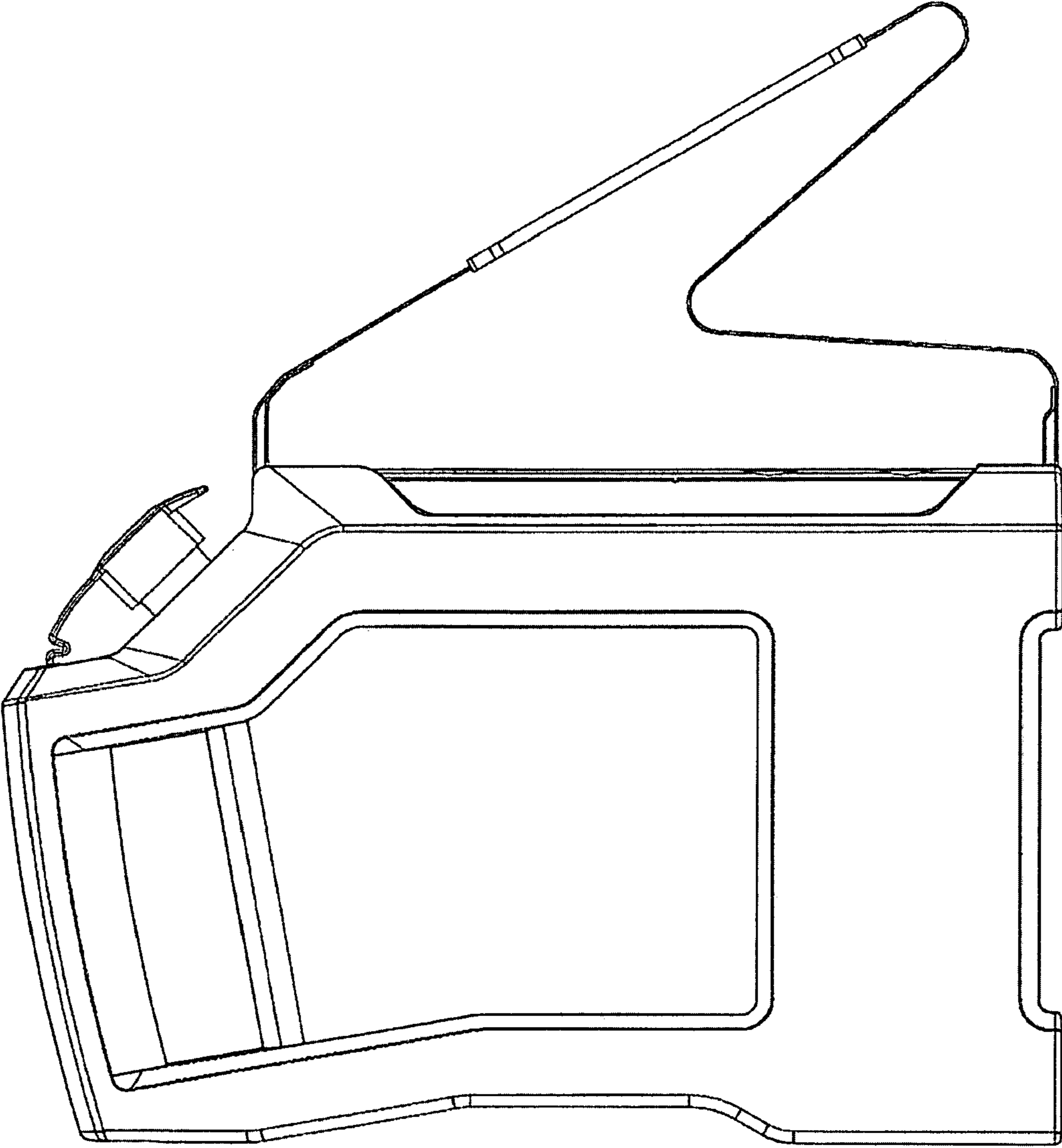


Fig. 22

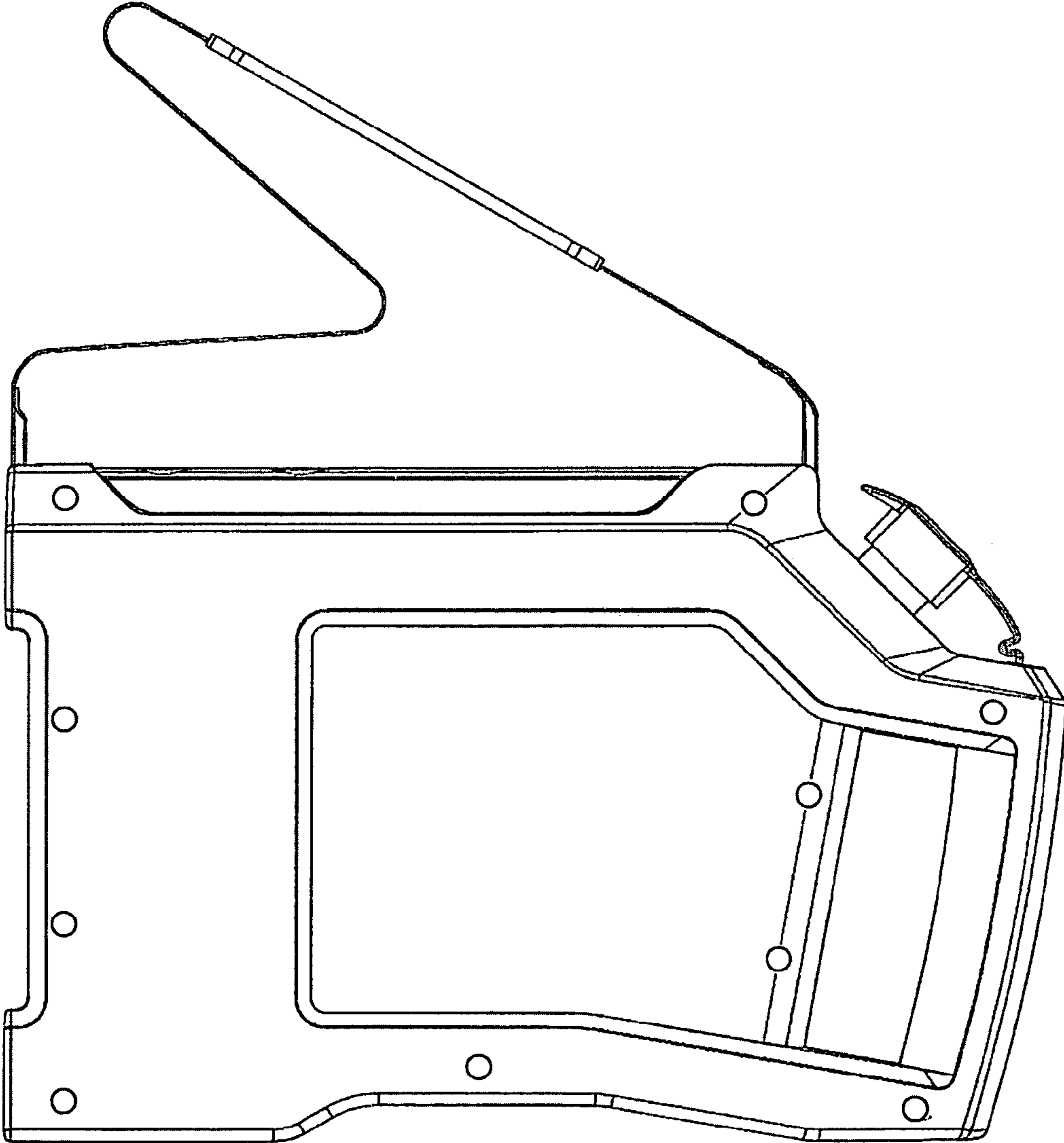


Fig. 23

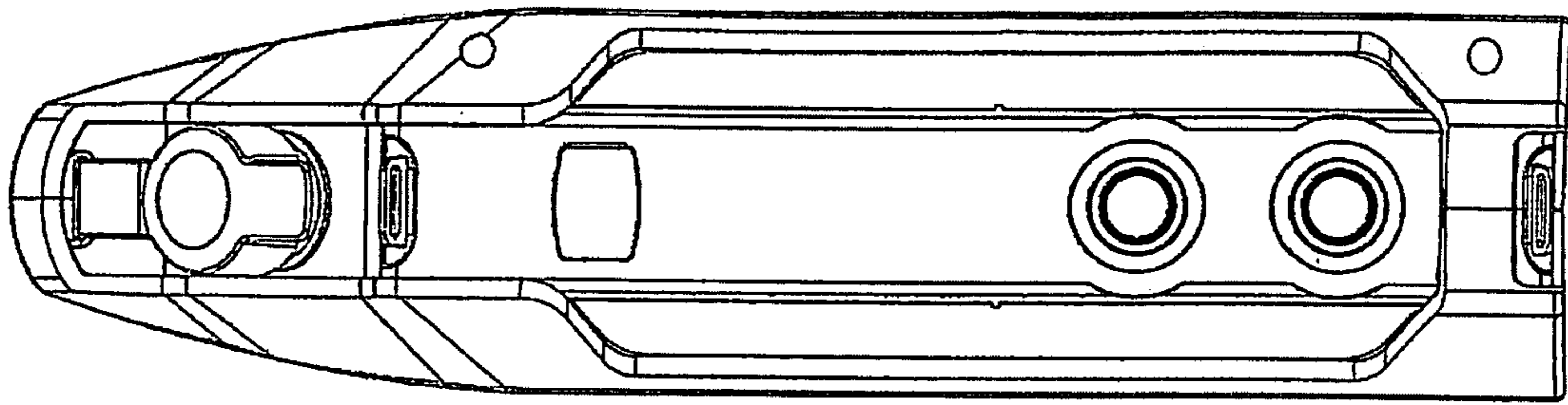


Fig. 24

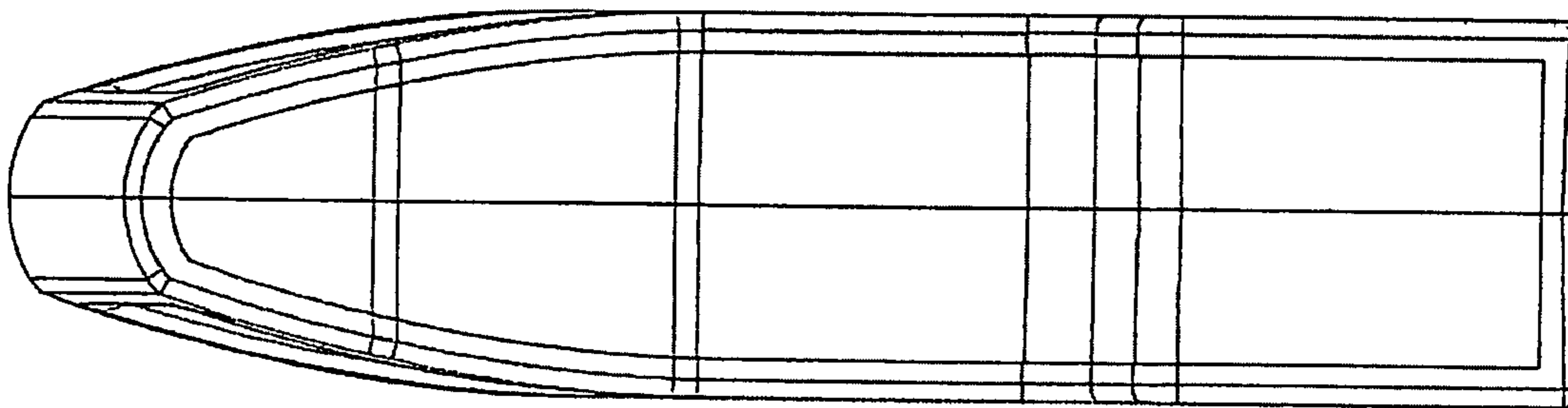


Fig. 25

