



US00D620378S

(12) **United States Design Patent**  
**Zehnder**

(10) **Patent No.:** **US D620,378 S**  
(45) **Date of Patent:** **\*\* Jul. 27, 2010**

(54) **DEVICE FOR DETERMINING THE SIZE OF FASTENER THREADS**

*Primary Examiner*—Antoine D Davis  
(74) *Attorney, Agent, or Firm*—Donald J. Ersler

(76) **Inventor:** **Daniel J. Zehnder**, 3785 S. Cari Adam Dr., New Berlin, WI (US) 53146

(57) **CLAIM**

The ornamental design for a device for determining the size of fastener threads, as shown and described.

(\*\*) **Term:** **14 Years**

(21) **Appl. No.:** **29/353,141**

(22) **Filed:** **Jan. 4, 2010**

**DESCRIPTION**

(51) **LOC (9) Cl.** ..... **10-04**

(52) **U.S. Cl.** ..... **D10/64**

(58) **Field of Classification Search** ..... D10/64;  
D19/35, 37, 40; 33/562–566, 555.1–555.3,  
33/379, 382, DIG. 10

See application file for complete search history.

FIG. 1 is a front elevation view of a device for determining the size of fastener threads incorporating my new design;

FIG. 2 is a rear elevation view thereof;

FIG. 3 is a top plan view thereof;

FIG. 4 is a left side view thereof;

FIG. 5 is a right side view thereof;

FIG. 6 is a bottom plan view thereof; and,

FIG. 7 is a perspective view thereof.

The broken line showing of structural features is included for the purpose of illustrating non-claimed subject matter and forms no part of the claimed design.

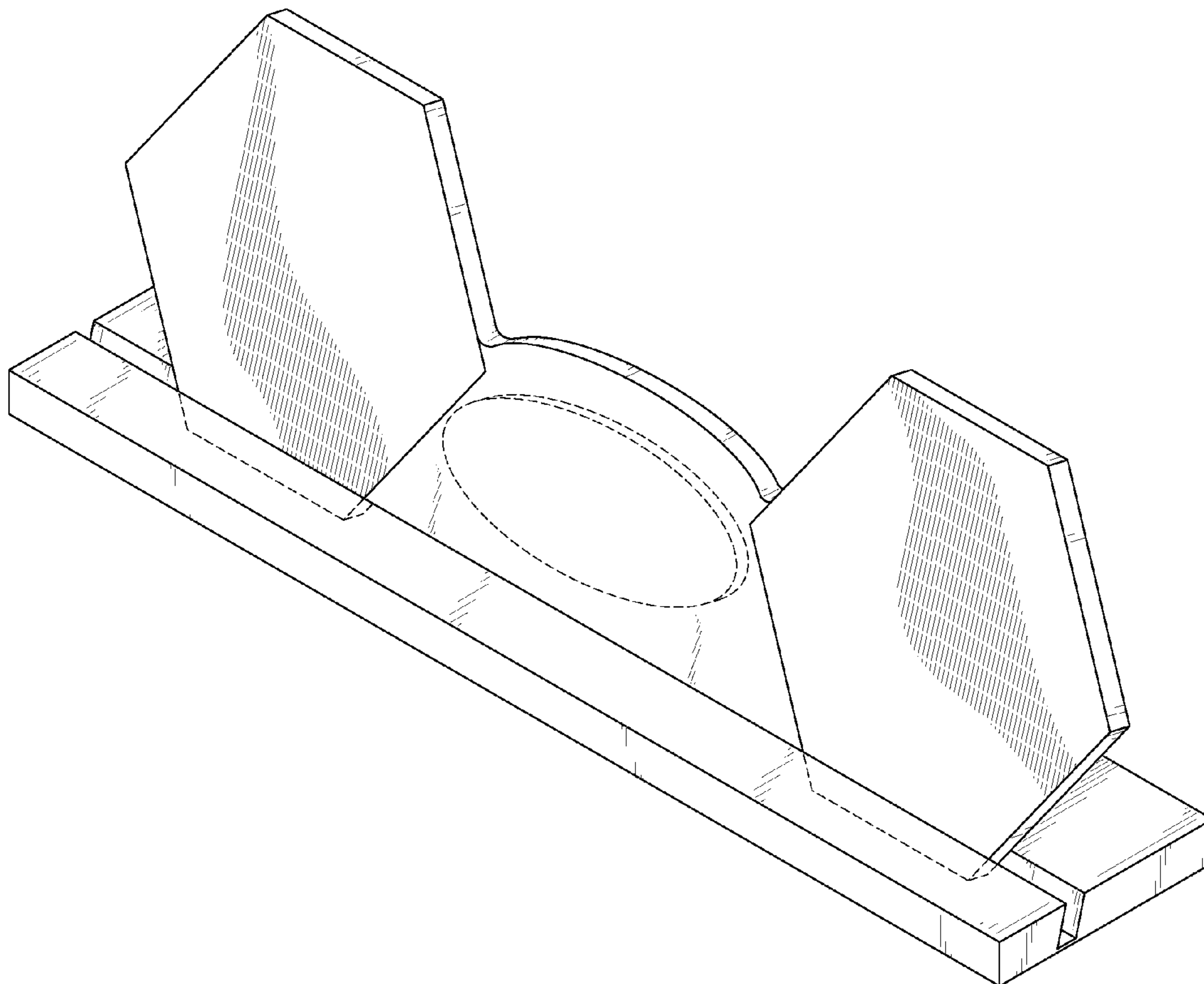
(56) **References Cited**

U.S. PATENT DOCUMENTS

2,679,694	A *	6/1954	Cybulski	.....	33/555.2
4,425,545	A *	1/1984	Scalese	.....	33/555.2
D475,640	S *	6/2003	Mangelsen	.....	D10/64
D476,583	S *	7/2003	Bailey	.....	D10/64

\* cited by examiner

**1 Claim, 4 Drawing Sheets**



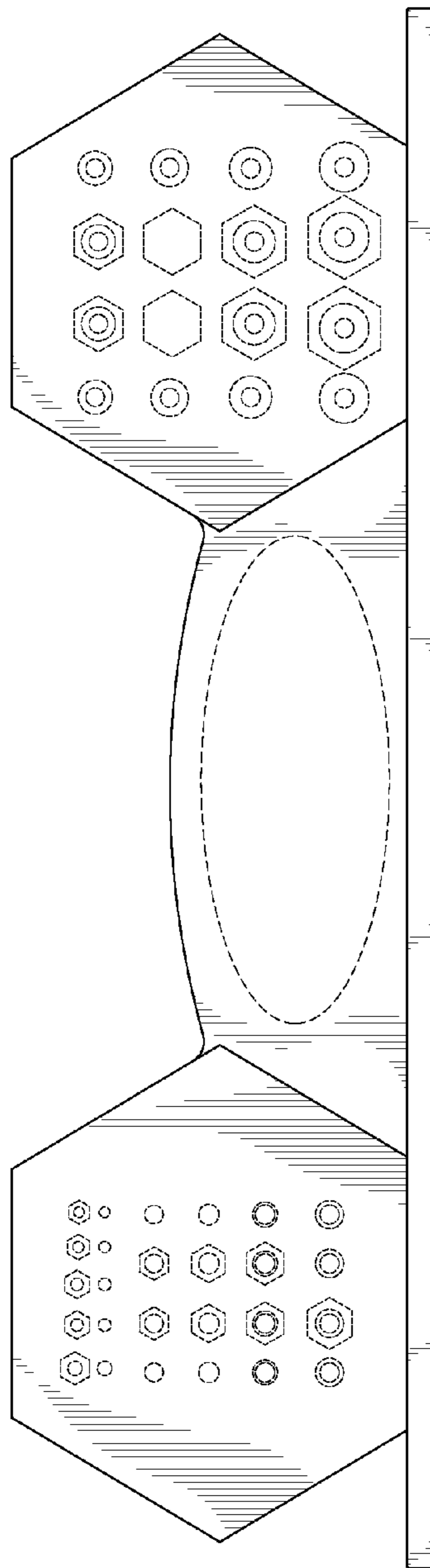


FIG. 1

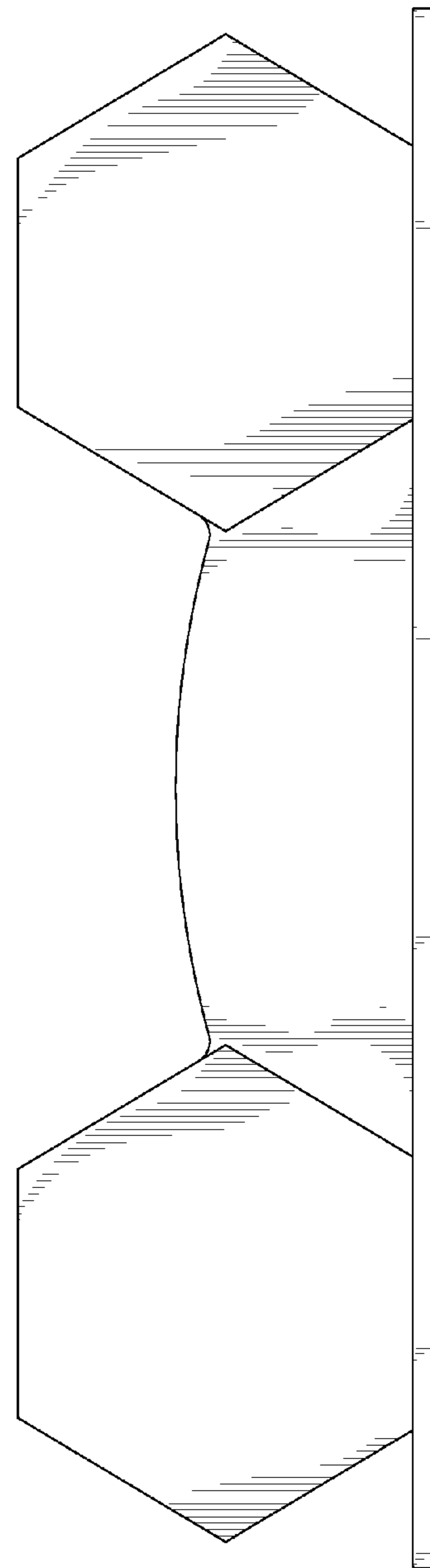


FIG. 2

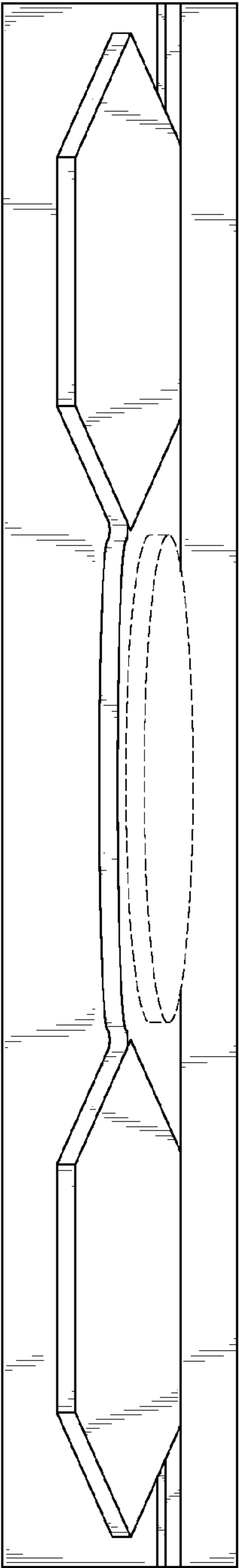


FIG. 3

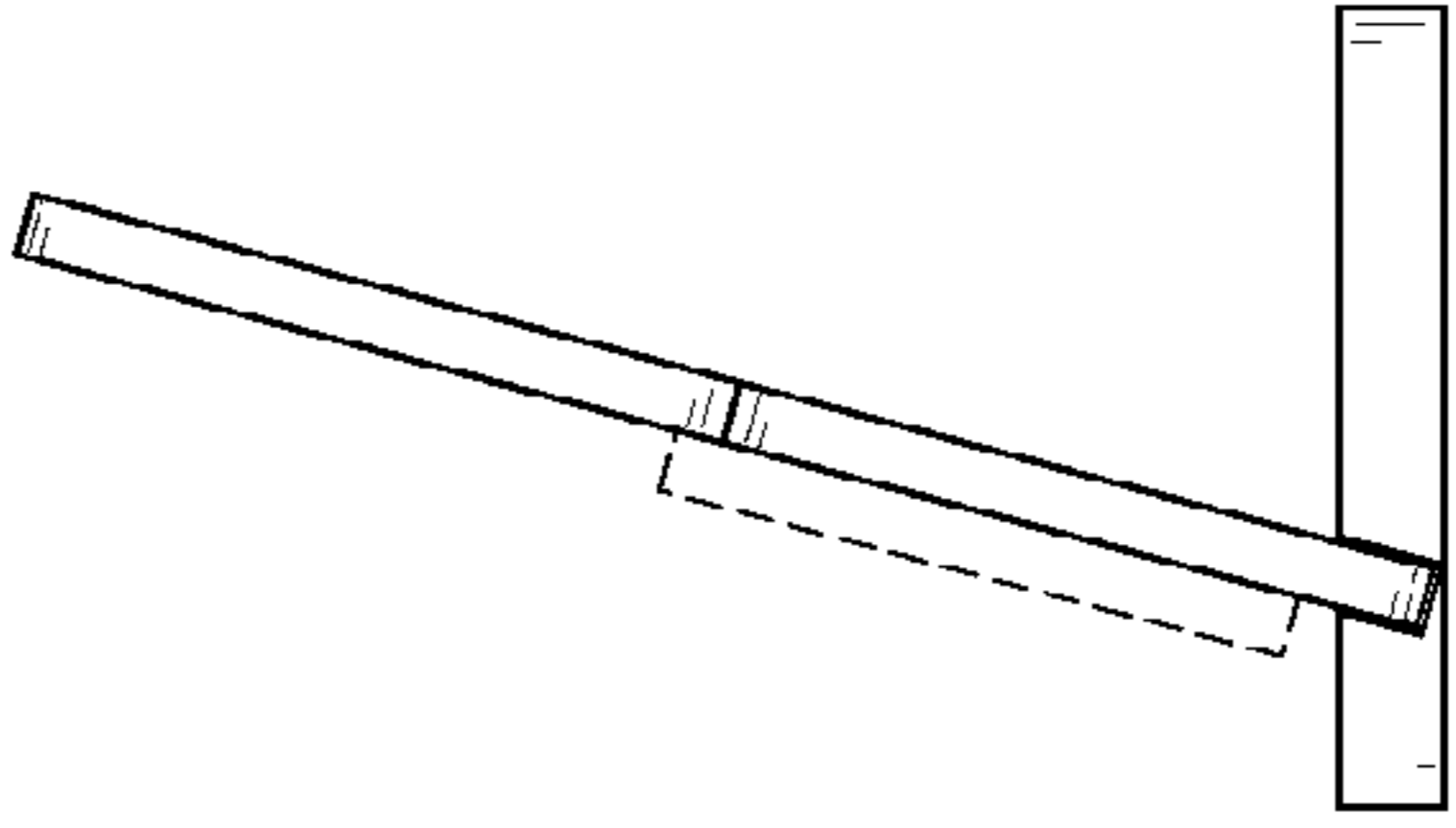


FIG. 5

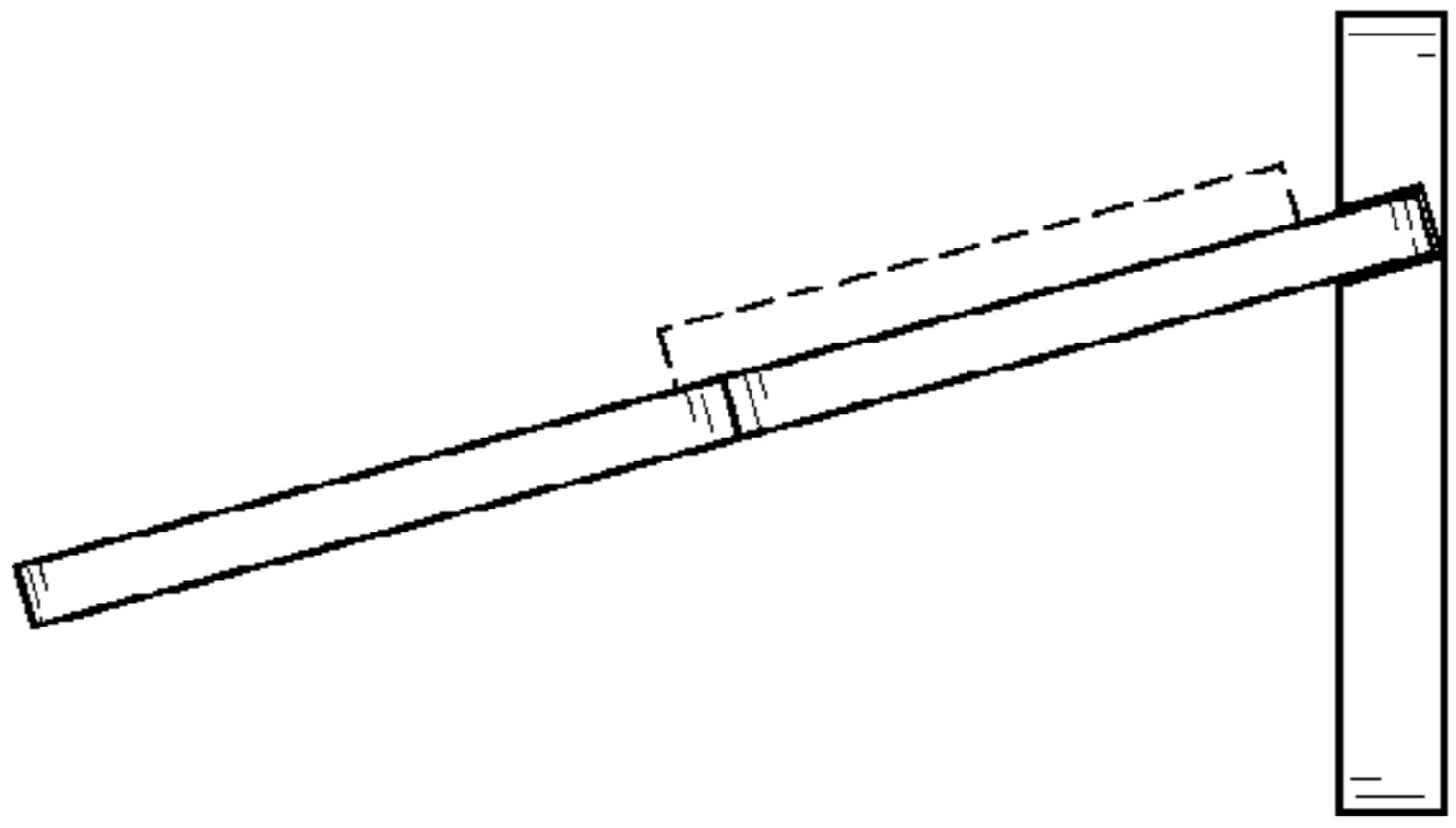


FIG. 4

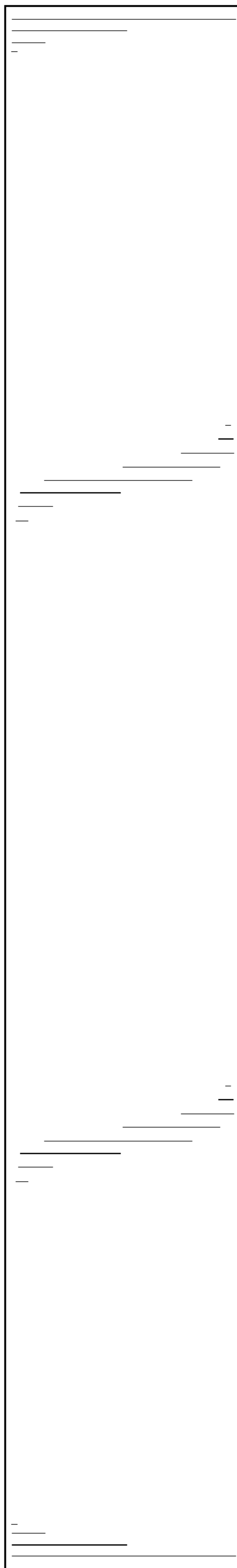


FIG. 6

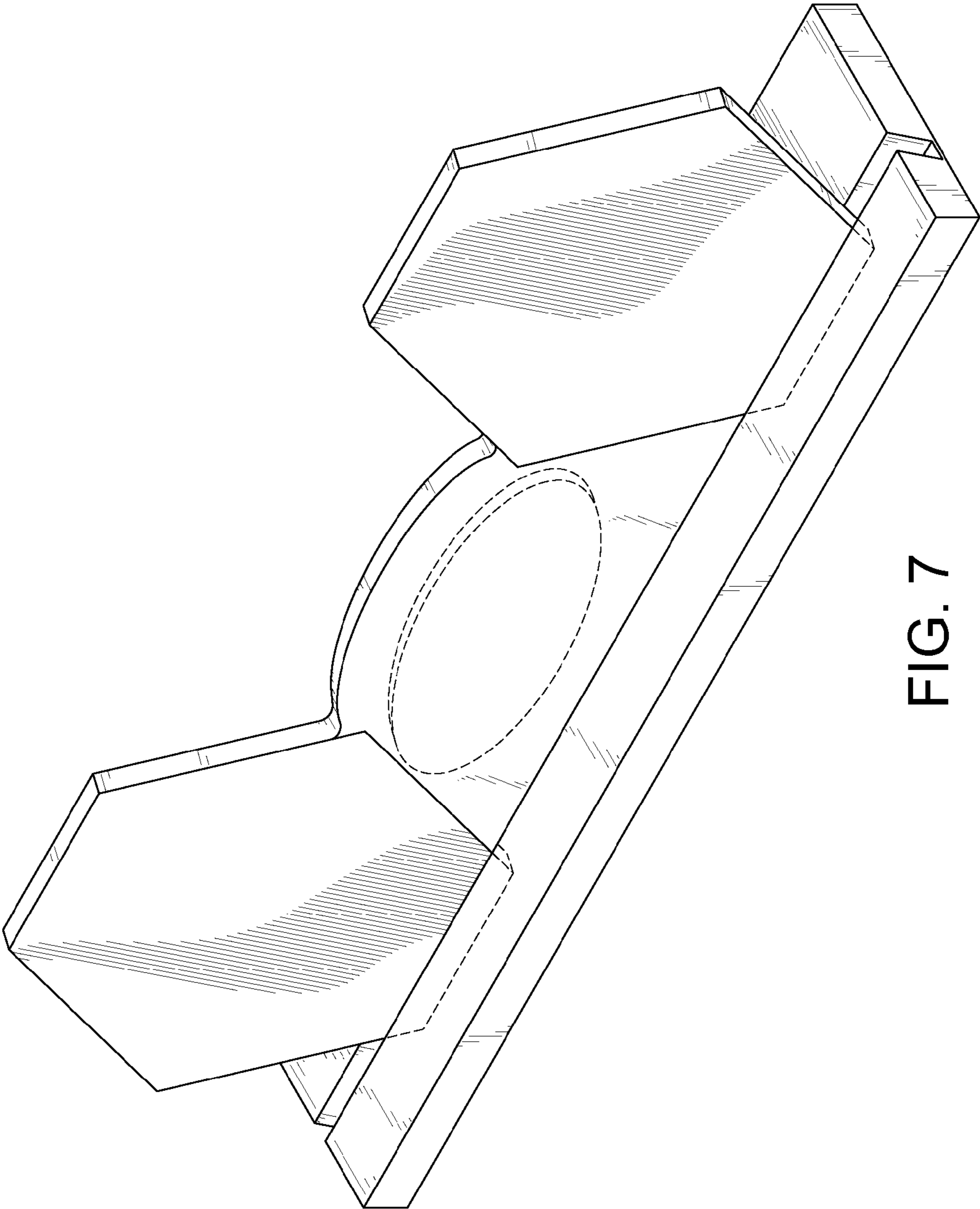


FIG. 7