



US00D620376S

(12) **United States Design Patent**  
**Peysner et al.**

(10) **Patent No.:** **US D620,376 S**  
(45) **Date of Patent:** **\*\* Jul. 27, 2010**

- (54) **RAZOR CARTRIDGE HOLDER**
- (75) Inventors: **Mark S Peysner**, Easton, CT (US); **Wes Rhoad**, Hamden, CT (US)
- (73) Assignee: **Eveready Battery Company, Inc.**, St. Louis, MO (US)
- (\*\*) Term: **14 Years**
- (21) Appl. No.: **29/342,722**
- (22) Filed: **Aug. 31, 2009**
- (51) **LOC (9) Cl.** ..... **09-03**
- (52) **U.S. Cl.** ..... **D9/749**
- (58) **Field of Classification Search** ..... D9/748, D9/749, 735, 414, 418, 422, 432, 427; 206/354-360, 206/477, 478, 480, 486, 488, 352; 220/675, 220/351; 221/229

5,649,364	A *	7/1997	Ilanlou	.....	30/40.2
6,041,926	A *	3/2000	Petricca et al.	.....	206/356
6,052,903	A *	4/2000	Metcalf et al.	.....	30/40.2
D430,013	S *	8/2000	Shurtleff et al.	.....	D9/749
D479,462	S *	9/2003	Chan	.....	D9/422
D484,409	S *	12/2003	Haggerty et al.	.....	D9/432
D507,968	S *	8/2005	Dixon et al.	.....	D9/422
D522,855	S *	6/2006	Liebe et al.	.....	D9/426
D531,518	S *	11/2006	Ramm et al.	.....	D9/749
7,413,078	B2	8/2008	Fischer et al.		
D595,125	S *	6/2009	Doyle	.....	D9/418
D596,047	S *	7/2009	Wonderley	.....	D9/749
2004/0217116	A1 *	11/2004	Offerman et al.	.....	220/345.2
2006/0219584	A1 *	10/2006	Fischer et al.	.....	206/355
2008/0201957	A1 *	8/2008	Apprille	.....	30/124

See application file for complete search history.

(56) **References Cited**

**U.S. PATENT DOCUMENTS**

1,915,834	A *	6/1933	Muros	.....	206/355
2,295,747	A *	9/1942	Mills	.....	220/351
2,726,787	A *	12/1955	Nelson	.....	221/229
2,946,431	A *	7/1960	Nissen	.....	206/358
D216,635	S *	2/1970	Grange	.....	D9/748
3,771,223	A *	11/1973	Dawidowicz et al.	.....	30/40
3,783,493	A *	1/1974	Dawidowicz et al.	.....	221/1
3,854,201	A *	12/1974	Dawidowicz et al.	.....	30/40.2
4,034,892	A *	7/1977	Braginetz	.....	221/64
4,120,397	A *	10/1978	Neumann	.....	206/370
4,173,285	A *	11/1979	Kiraly et al.	.....	206/356
4,285,428	A *	8/1981	Beddall et al.	.....	206/354
4,742,909	A *	5/1988	Apprille et al.	.....	206/356
5,206,994	A *	5/1993	Lin	.....	30/47
5,265,759	A	11/1993	Coffin		
5,518,114	A *	5/1996	Kohring et al.	.....	206/352
5,636,442	A *	6/1997	Wain	.....	30/40.2

\* cited by examiner

*Primary Examiner*—Mark A Goodwin  
(74) *Attorney, Agent, or Firm*—Energizer Personal Care, LLC

(57) **CLAIM**

We claim the new, original and ornamental design for the razor cartridge holder, as shown and described.

**DESCRIPTION**

FIG. 1 is a top perspective view of a razor cartridge holder showing our new design.

FIG. 2 is a bottom perspective view thereof.

FIG. 3 is a top plan view thereof.

FIG. 4 is a lower side view of FIG. 3.

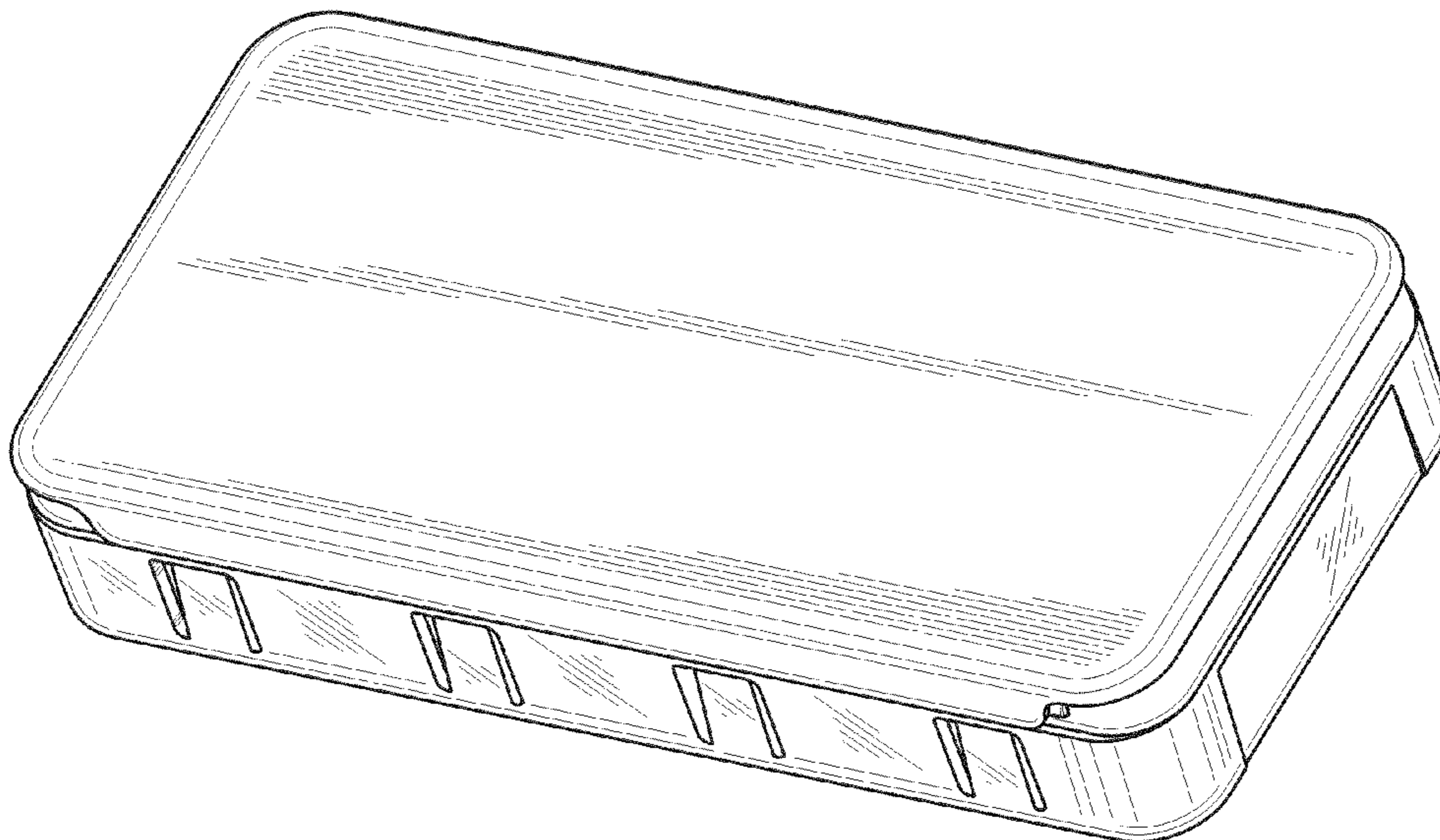
FIG. 5 is a bottom plan view thereof.

FIG. 6 is a lower side view of FIG. 5.

FIG. 7 is a left end view of FIG. 4; and,

FIG. 8 is a right end view of FIG. 4.

**1 Claim, 4 Drawing Sheets**



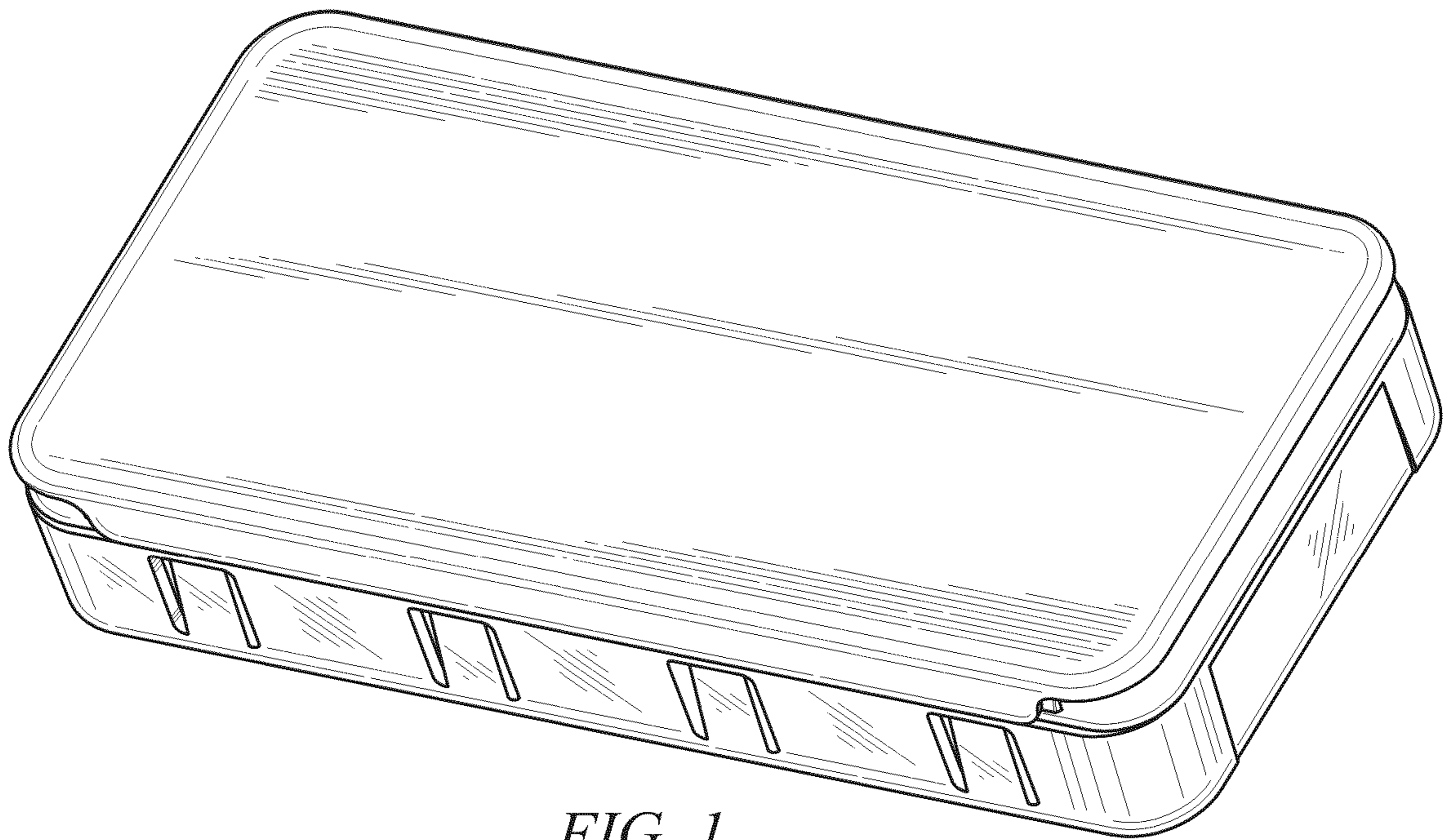


FIG. 1

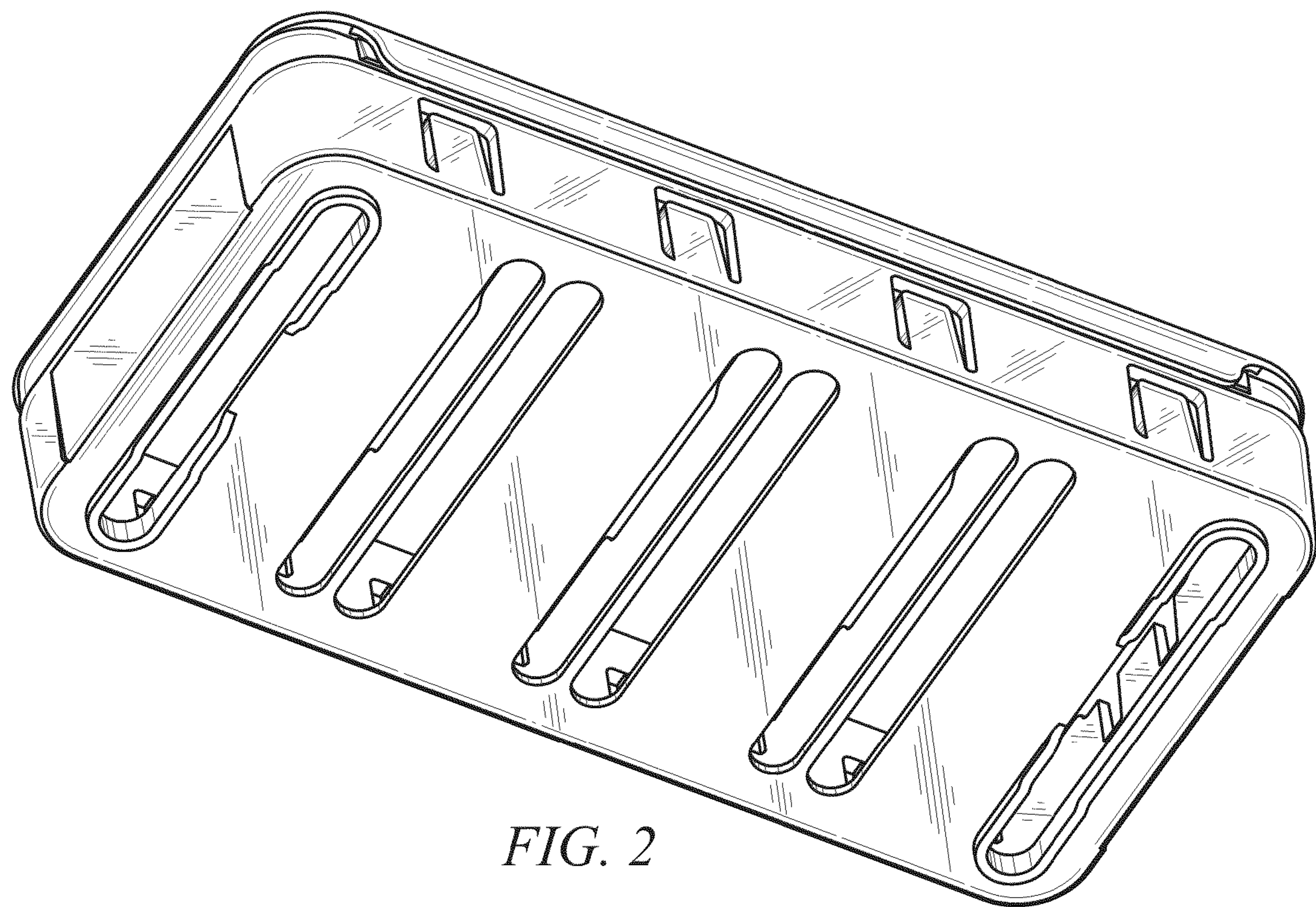
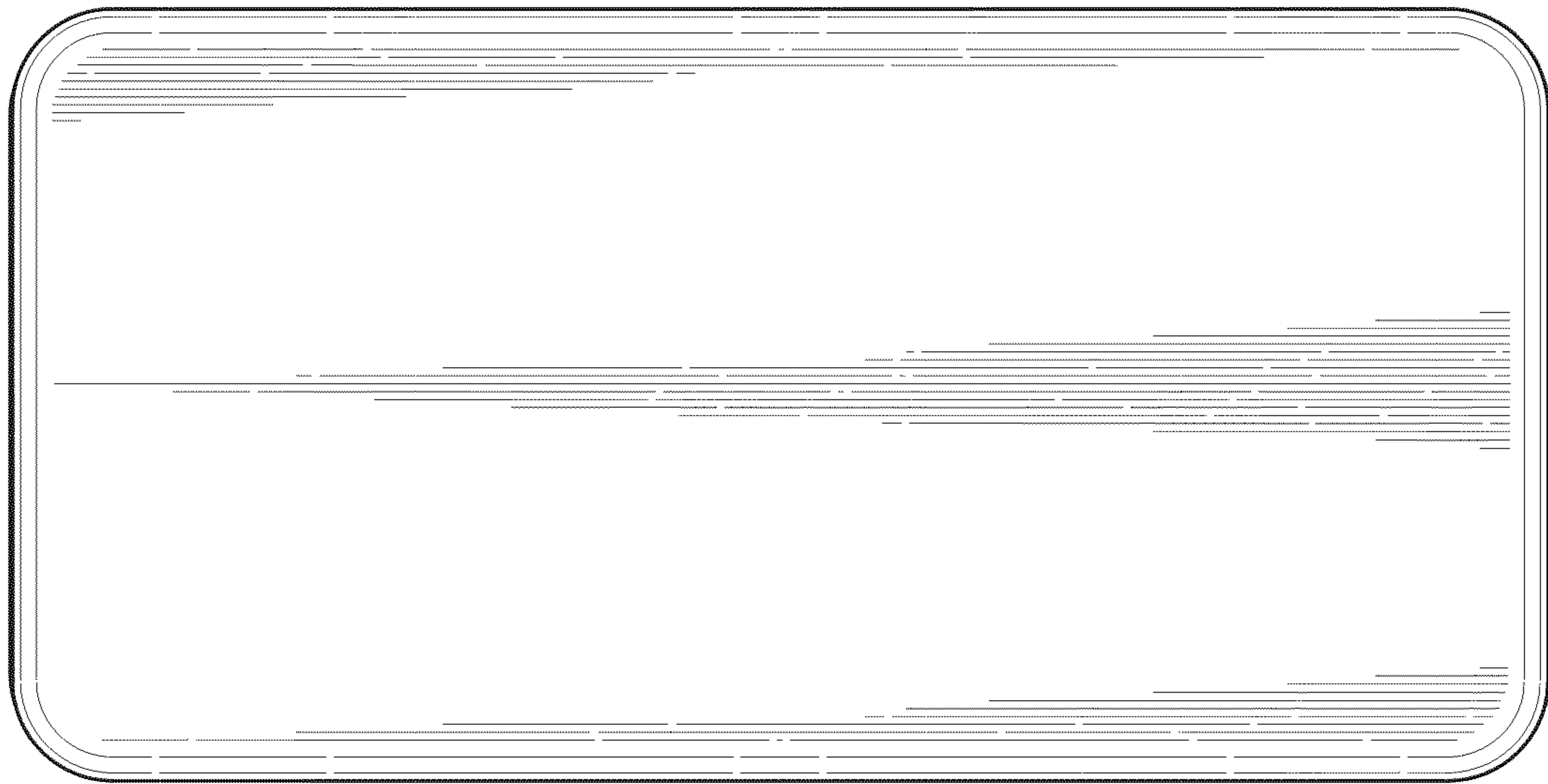
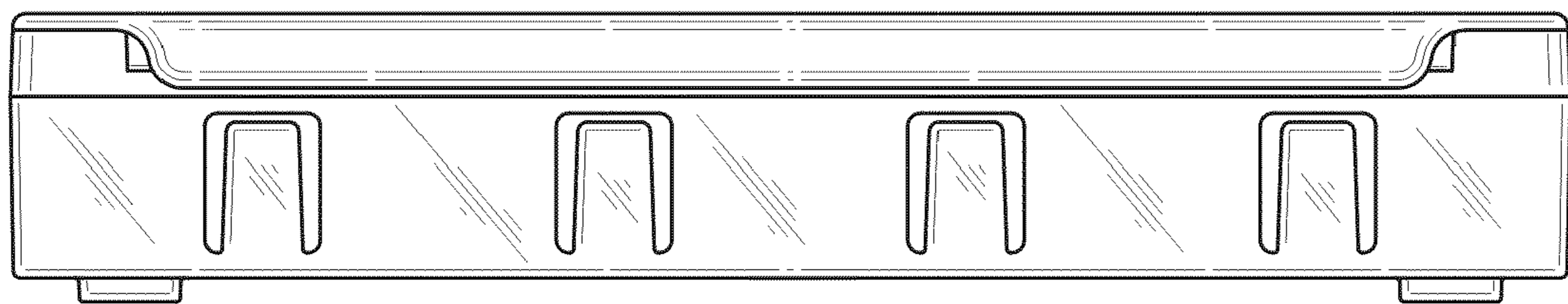


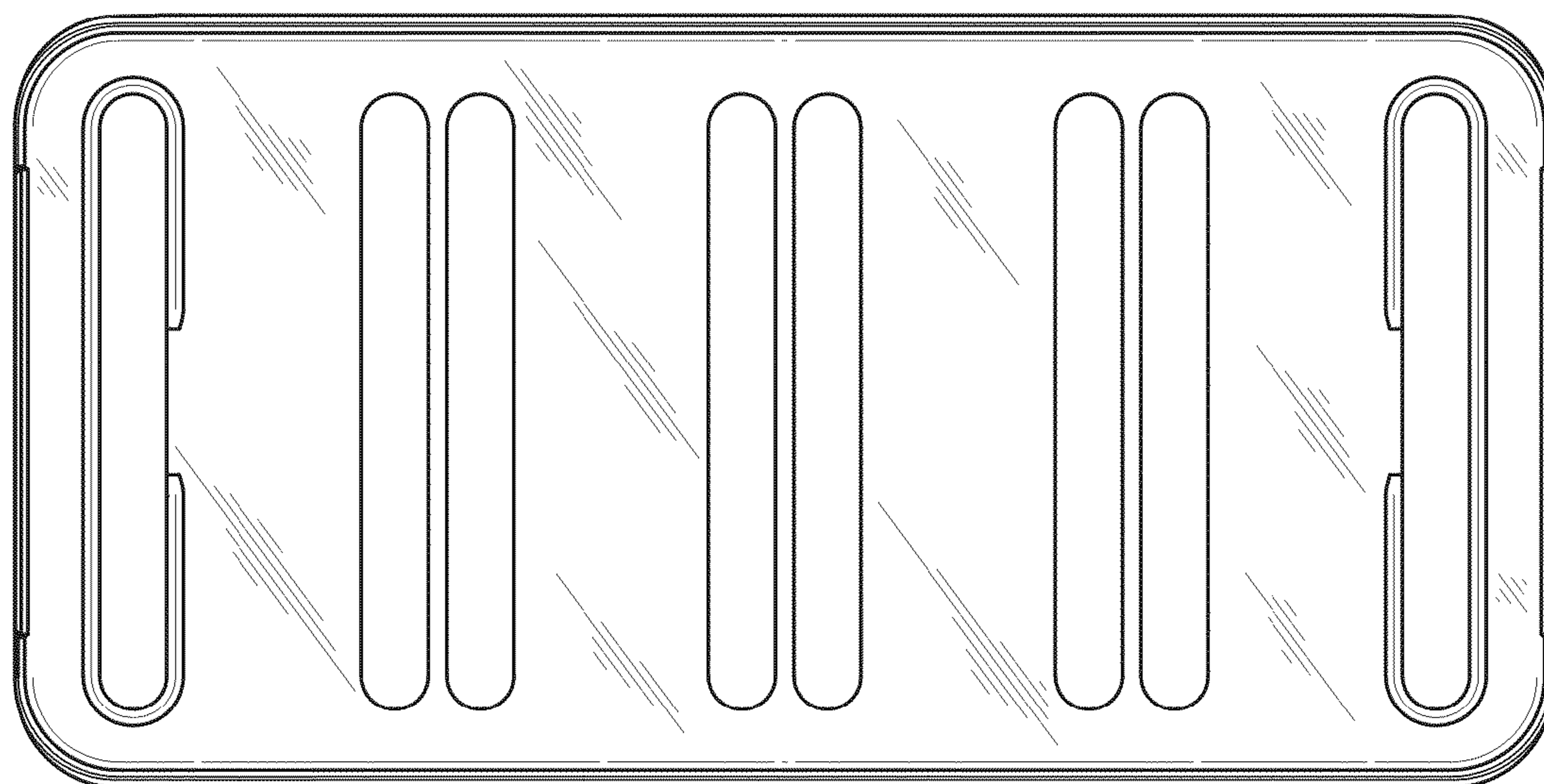
FIG. 2



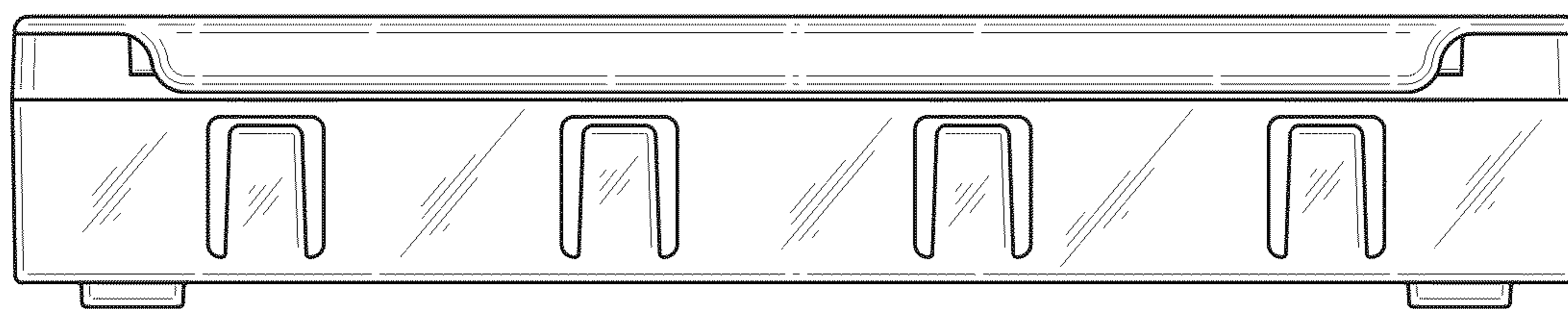
*FIG. 3*



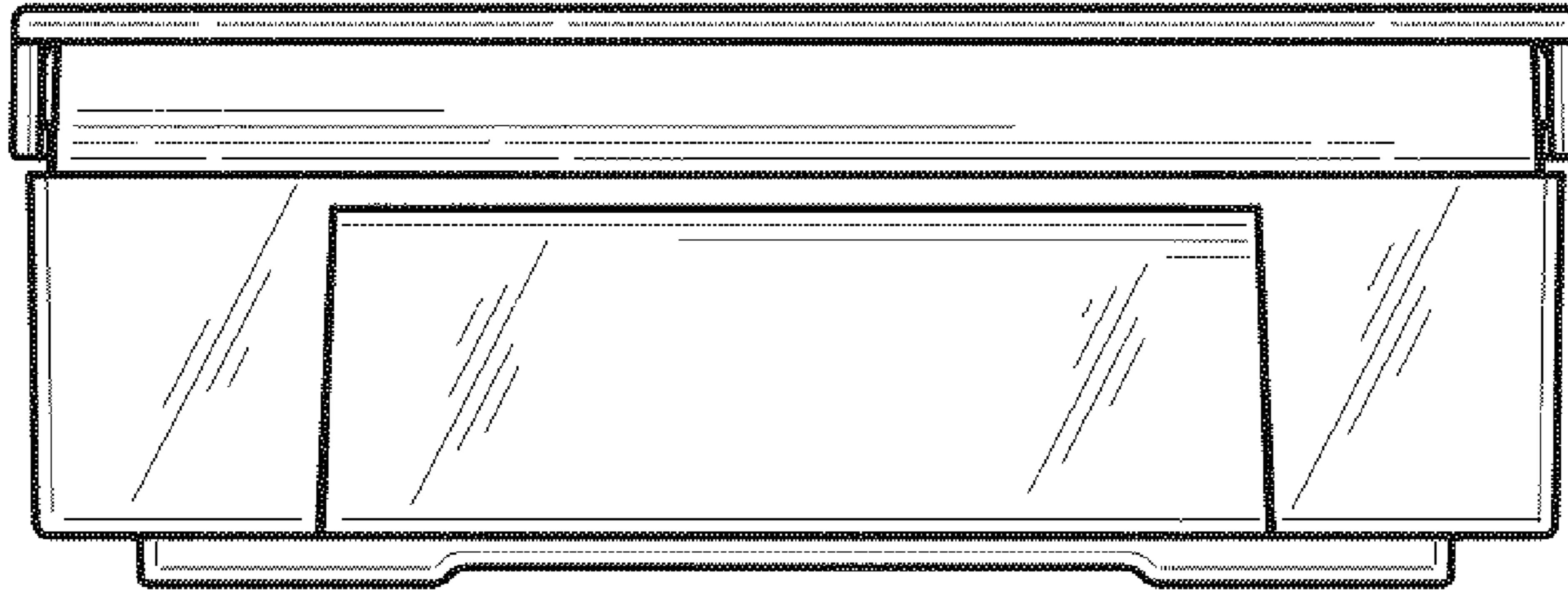
*FIG. 4*



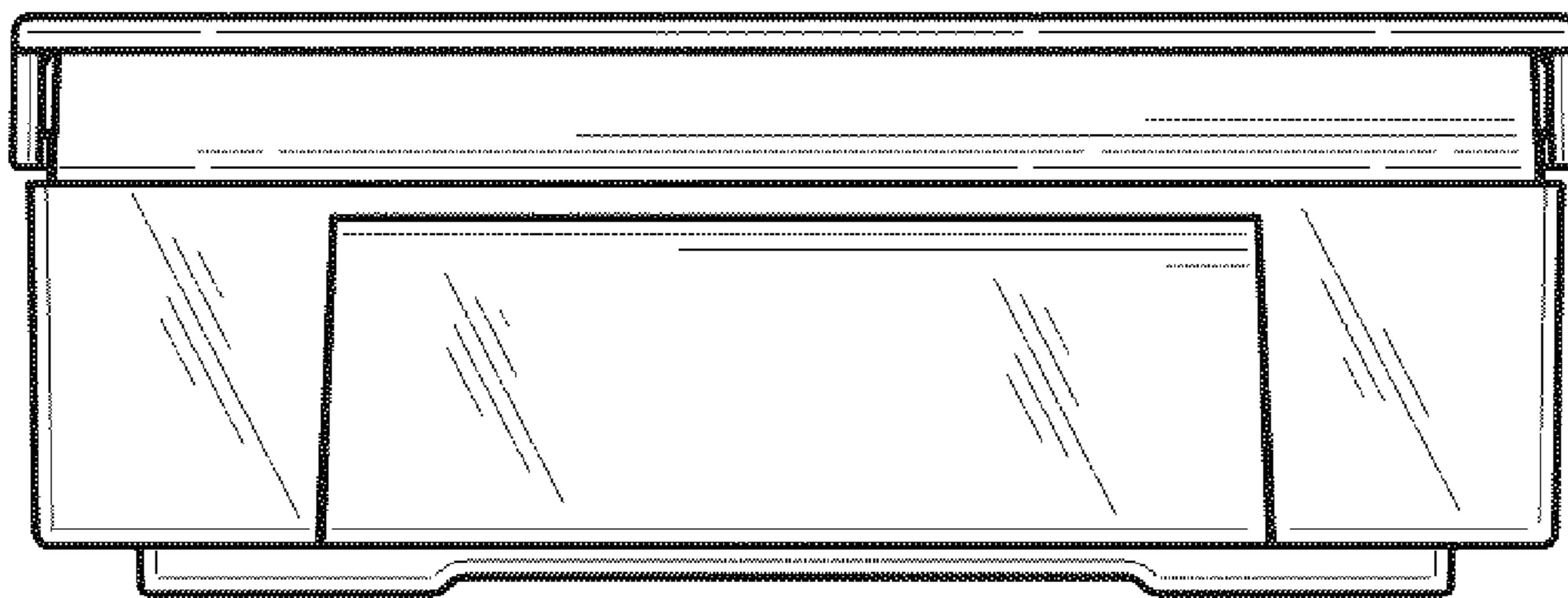
*FIG. 5*



*FIG. 6*



*FIG. 7*



*FIG. 8*