



US00D620369S

(12) **United States Design Patent**  
**Servaire et al.**

(10) **Patent No.:** **US D620,369 S**  
(45) **Date of Patent:** **\*\* Jul. 27, 2010**

(54) **JAR**  
(75) Inventors: **Sebastien Servaire**, Paris (FR);  
**Candido De Barros**, Paris (FR);  
**Erwann Pivert**, Paris (FR)  
(73) Assignee: **Societe des Produits Nestle S.A.**, Vevey  
(CH)  
(\*\*) Term: **14 Years**

(21) Appl. No.: **29/344,721**  
(22) Filed: **Oct. 2, 2009**

(30) **Foreign Application Priority Data**  
Apr. 30, 2009 (CH) ..... 136001

(51) **LOC (9) Cl.** ..... **09-01**  
(52) **U.S. Cl.** ..... **D9/529; D9/542; D9/559;**  
D9/435  
(58) **Field of Classification Search** ..... D9/516,  
D9/517, 520, 529, 530, 541, 542, 543, 559,  
D9/560, 563, 564, 565, 574, 575, 434, 435;  
215/381-385  
See application file for complete search history.

(56) **References Cited**

**U.S. PATENT DOCUMENTS**

D211,156 S \* 5/1968 Wilson ..... D9/542

D382,488 S \* 8/1997 Ja ..... D9/560  
D504,318 S \* 4/2005 Lane et al. .... D9/529  
D505,331 S \* 5/2005 Lane et al. .... D9/542  
D590,716 S \* 4/2009 Blank ..... D9/542  
D595,141 S \* 6/2009 Rica ..... D9/544  
D598,291 S \* 8/2009 Serrano Diaz ..... D9/542  
D598,772 S \* 8/2009 Yourist et al. .... D9/541  
D598,773 S \* 8/2009 Yourist et al. .... D9/541  
D603,717 S \* 11/2009 Rica ..... D9/560  
D605,055 S \* 12/2009 Serrano Diaz ..... D9/560  
D607,736 S \* 1/2010 Chon ..... D9/542

\* cited by examiner

*Primary Examiner*—Stella M Reid  
*Assistant Examiner*—Elizabeth J Oswecki  
(74) *Attorney, Agent, or Firm*—K&L Gates LLP

(57) **CLAIM**

The ornamental design for a jar, as shown and described.

**DESCRIPTION**

FIG. 1 is a front perspective view of a jar showing our new design;

FIG. 2 is a front, side elevation view thereof;

FIG. 3 is front elevation view thereof, with the right side, left side, and rear elevation views being identical thereto;

FIG. 4 is a top view thereof; and,

FIG. 5 is a bottom view thereof.

**1 Claim, 4 Drawing Sheets**

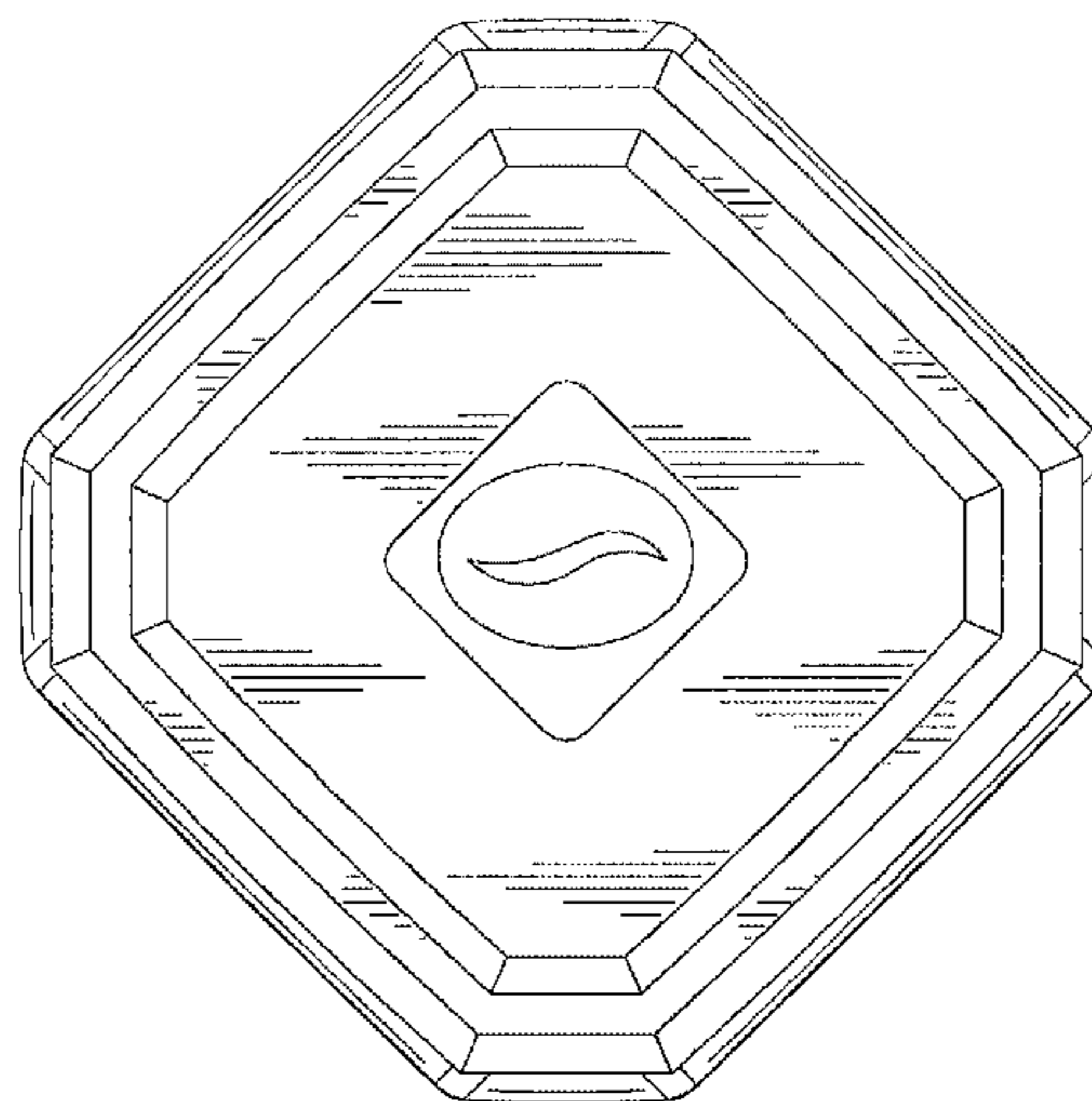
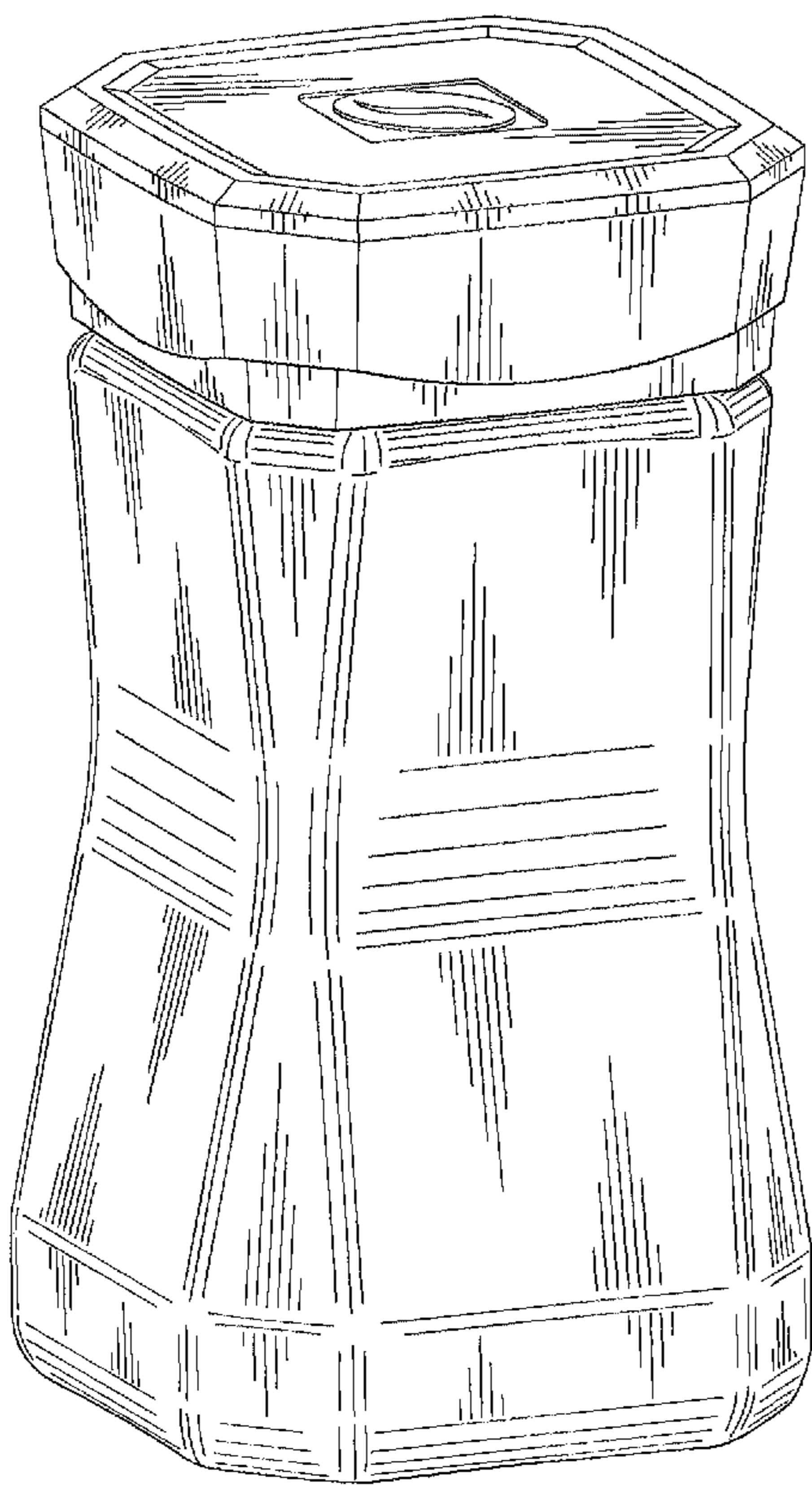


FIG. 1

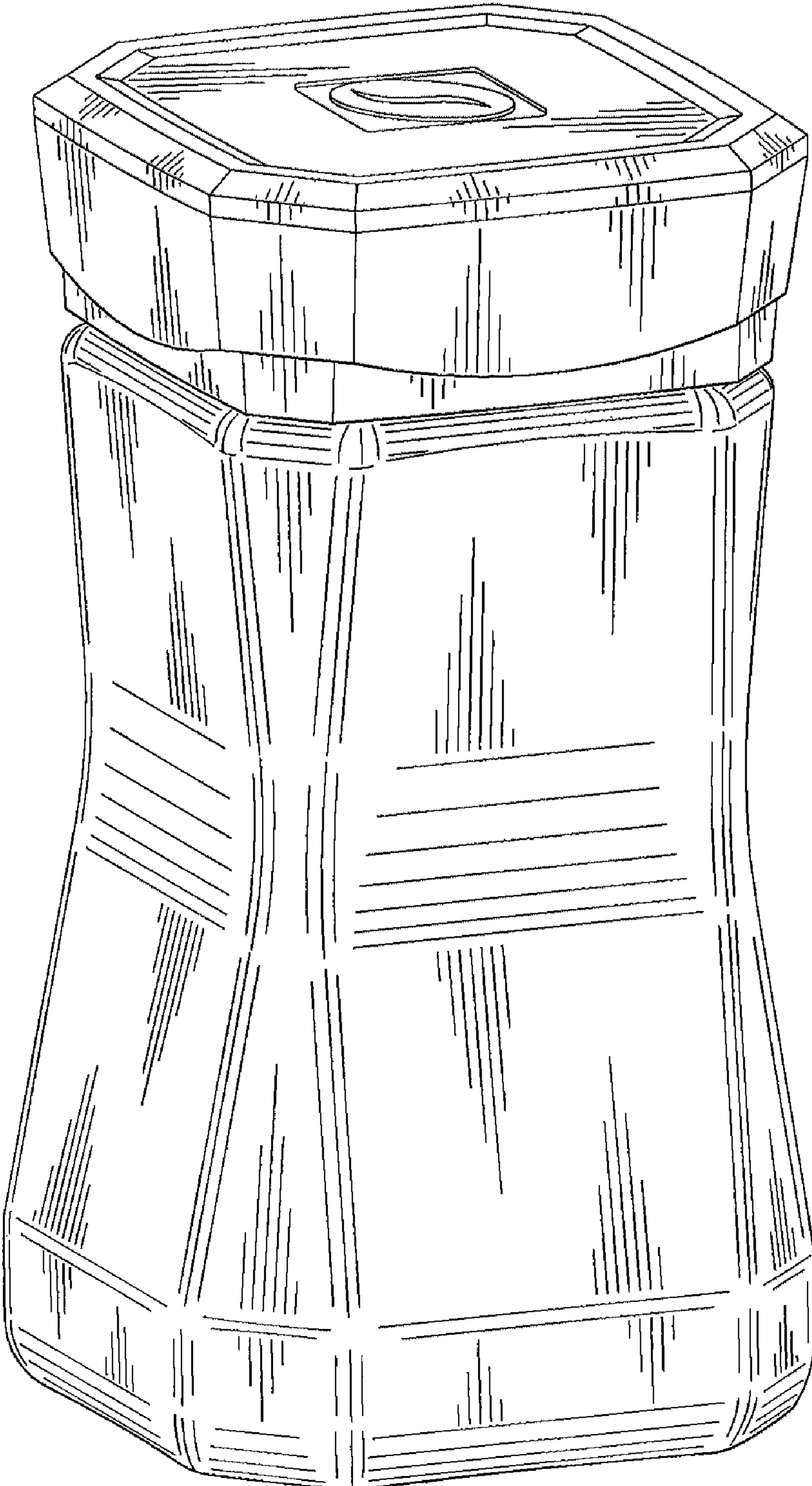


FIG. 2

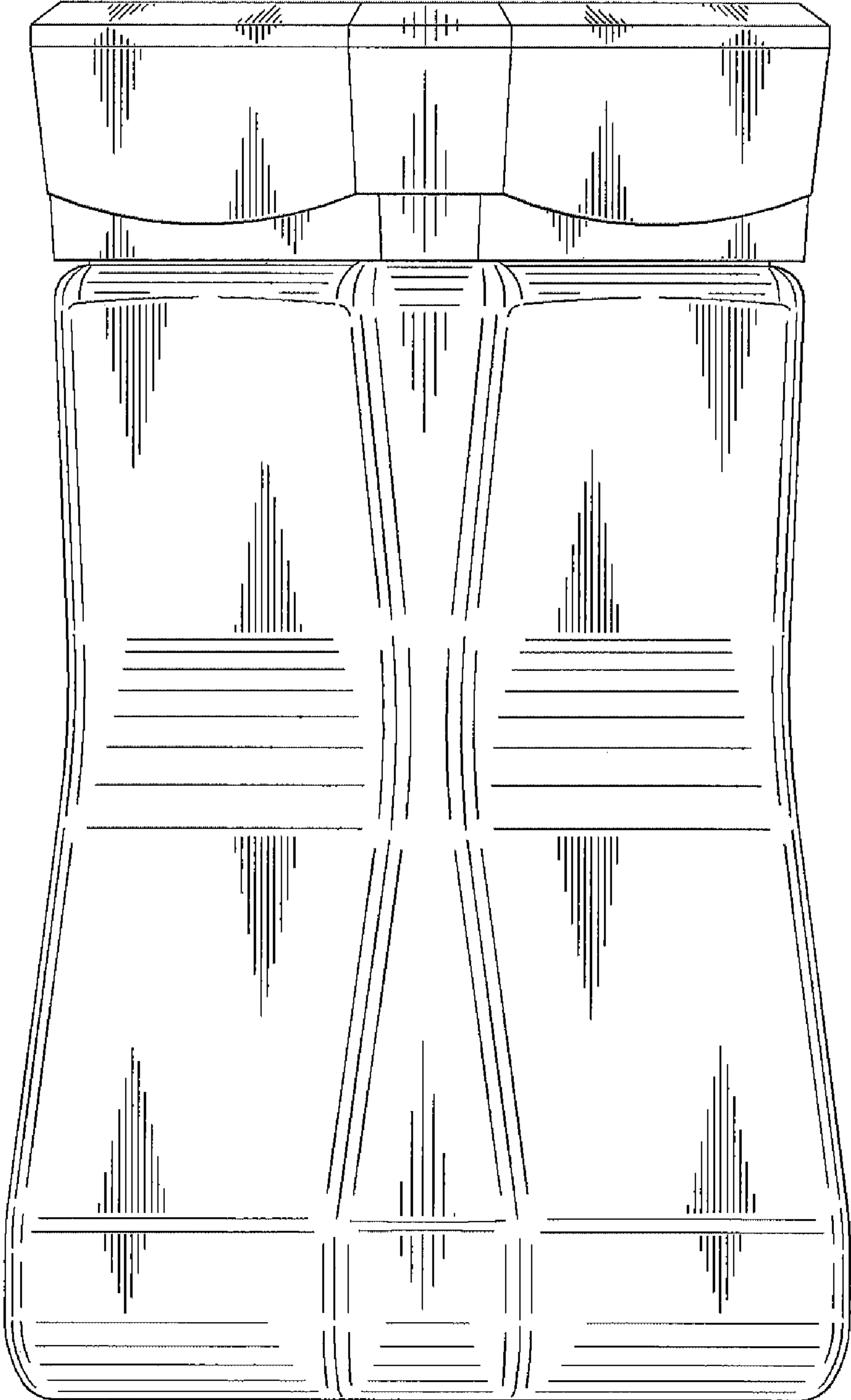


FIG. 3

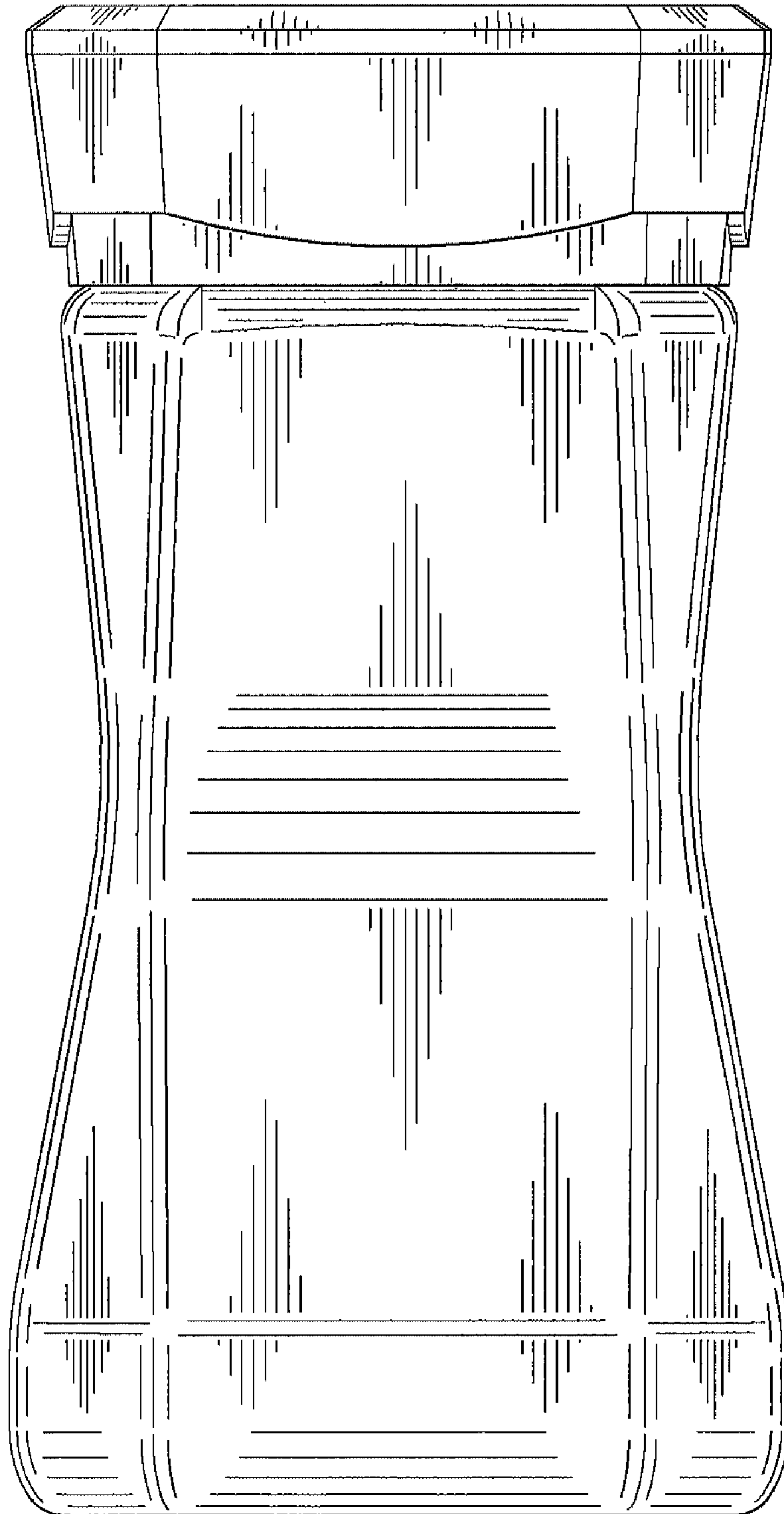


FIG. 4

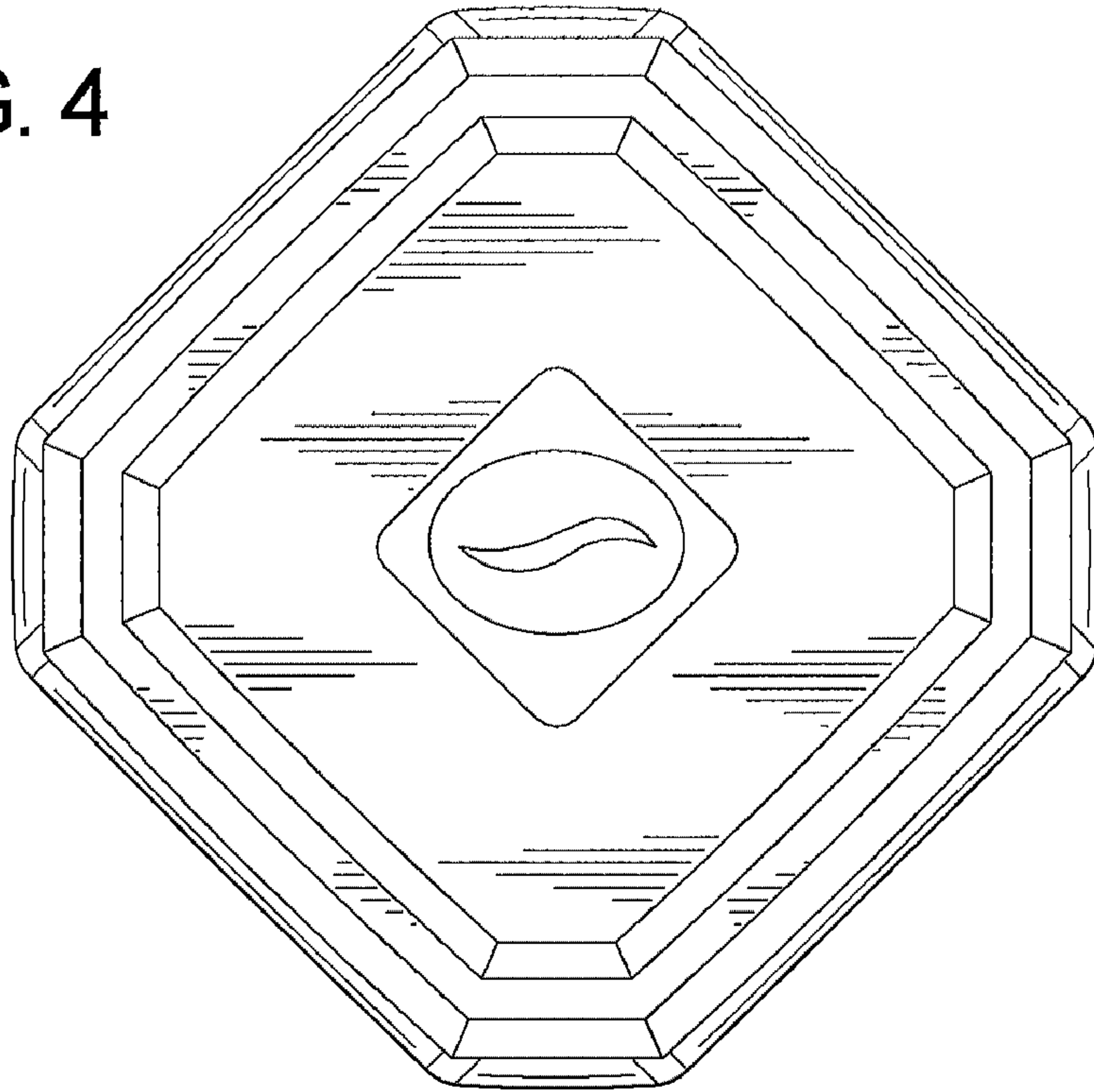


FIG. 5

