



US00D620368S

(12) **United States Design Patent**
Pedersen

(10) **Patent No.:** **US D620,368 S**

(45) **Date of Patent:** **** Jul. 27, 2010**

(54) **CUBICAL CONTAINER**

(75) Inventor: **Maria Hjort Pedersen, Vejle (DK)**

(73) Assignee: **Glud & Marstrand A/S, Losning (DK)**

(**) Term: **14 Years**

(21) Appl. No.: **29/344,689**

(22) Filed: **Oct. 2, 2009**

(30) **Foreign Application Priority Data**

Apr. 2, 2009 (EM) 001116941

(51) **LOC (9) Cl.** **09-01**

(52) **U.S. Cl.** **D9/529; D9/560**

(58) **Field of Classification Search** D9/516,
D9/517, 529, 559, 560, 565, 571, 572, 573,
D9/574, 575; D28/73, 76, 91; 215/381-385
See application file for complete search history.

(56) **References Cited**

U.S. PATENT DOCUMENTS

D31,235 S *	7/1899	Low	D9/560
D107,145 S *	11/1937	Barnhart	D9/432
D118,560 S *	1/1940	Imre	D9/624
D241,013 S *	8/1976	Dekker	D9/529
D280,975 S *	10/1985	Van Dine	D9/504
D282,630 S *	2/1986	Braun	D9/504
D306,933 S *	4/1990	Holewinski	D9/529
D403,589 S *	1/1999	Wong	D9/529

D477,536 S *	7/2003	Kudo et al.	D9/522
D532,937 S *	11/2006	Noh	D28/76
D540,689 S *	4/2007	Dorfmuller	D9/560
D559,691 S *	1/2008	Canamasas Puigbo	D9/529
D567,667 S *	4/2008	Kikuchi	D9/687
D570,221 S *	6/2008	Moretti	D9/529
D579,776 S *	11/2008	Hirato et al.	D9/504
D580,753 S *	11/2008	Liden et al.	D9/432
D582,280 S *	12/2008	Liden et al.	D9/517
D587,589 S *	3/2009	Varlet	D9/560

* cited by examiner

Primary Examiner—Stella M Reid

Assistant Examiner—Elizabeth J Oswecki

(74) *Attorney, Agent, or Firm*—Day Pitney LLP

(57) **CLAIM**

The ornamental design for a cubical container, as shown and described.

DESCRIPTION

FIG. 1 is a top plan view of a cubical container showing my new design, the bottom plan view being the same thereof;

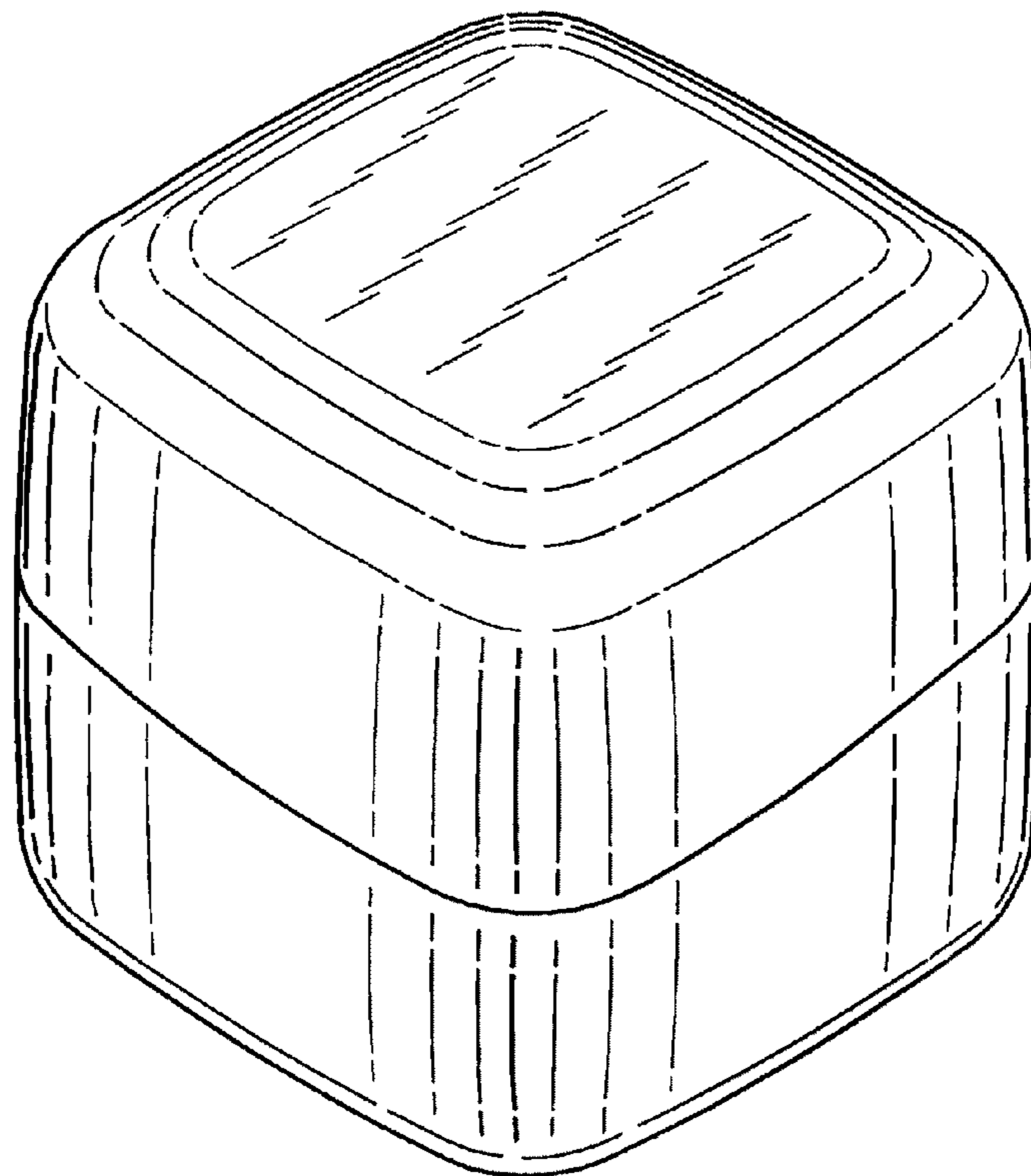
FIG. 2 is a right side view thereof, the left side view being the same thereof;

FIG. 3 is a front view thereof, the rear view being the same thereof;

FIG. 4 is a front, top perspective view thereof; and,

FIG. 5 is a rear, top perspective view thereof.

1 Claim, 5 Drawing Sheets



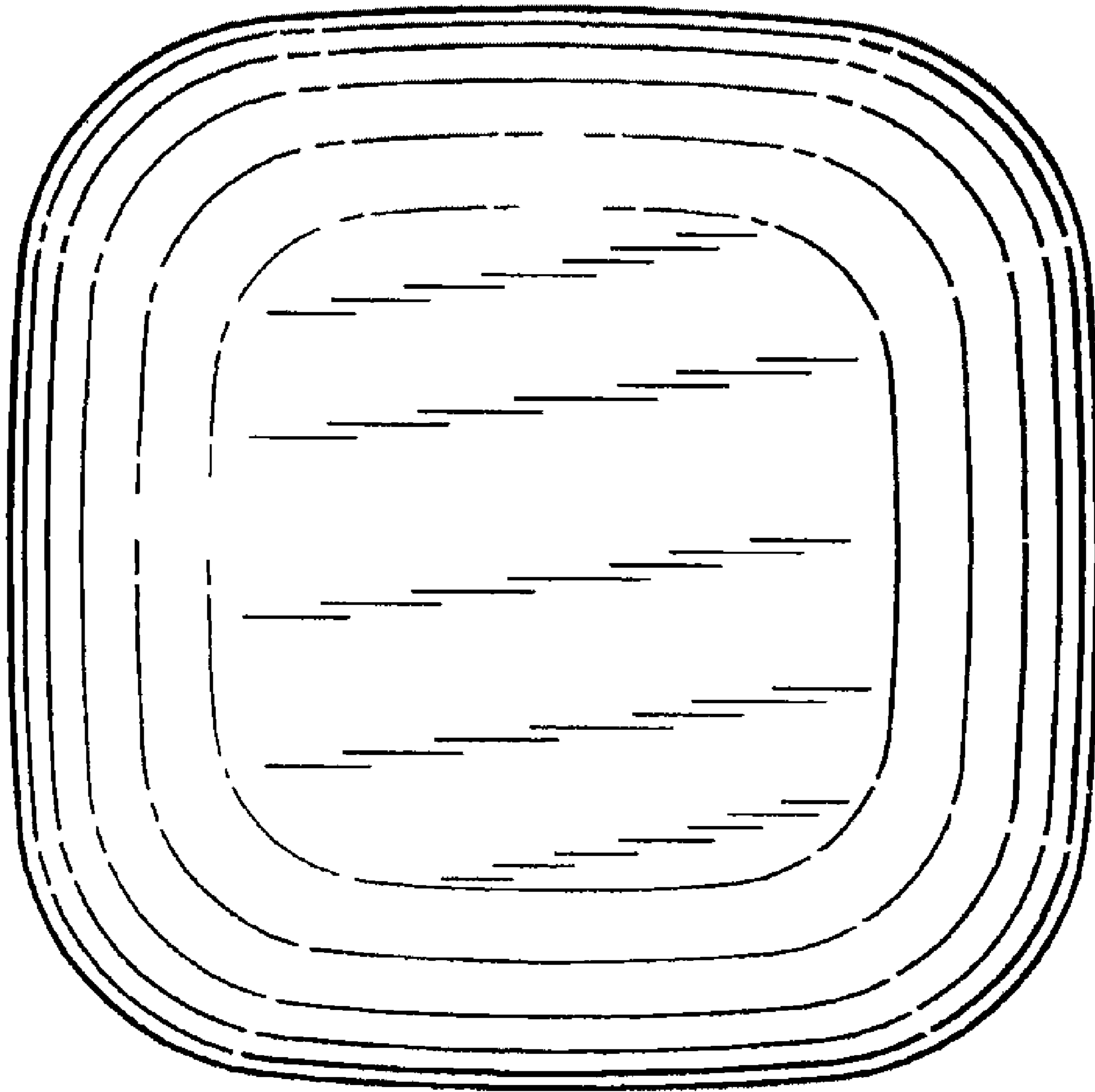


FIG. 1

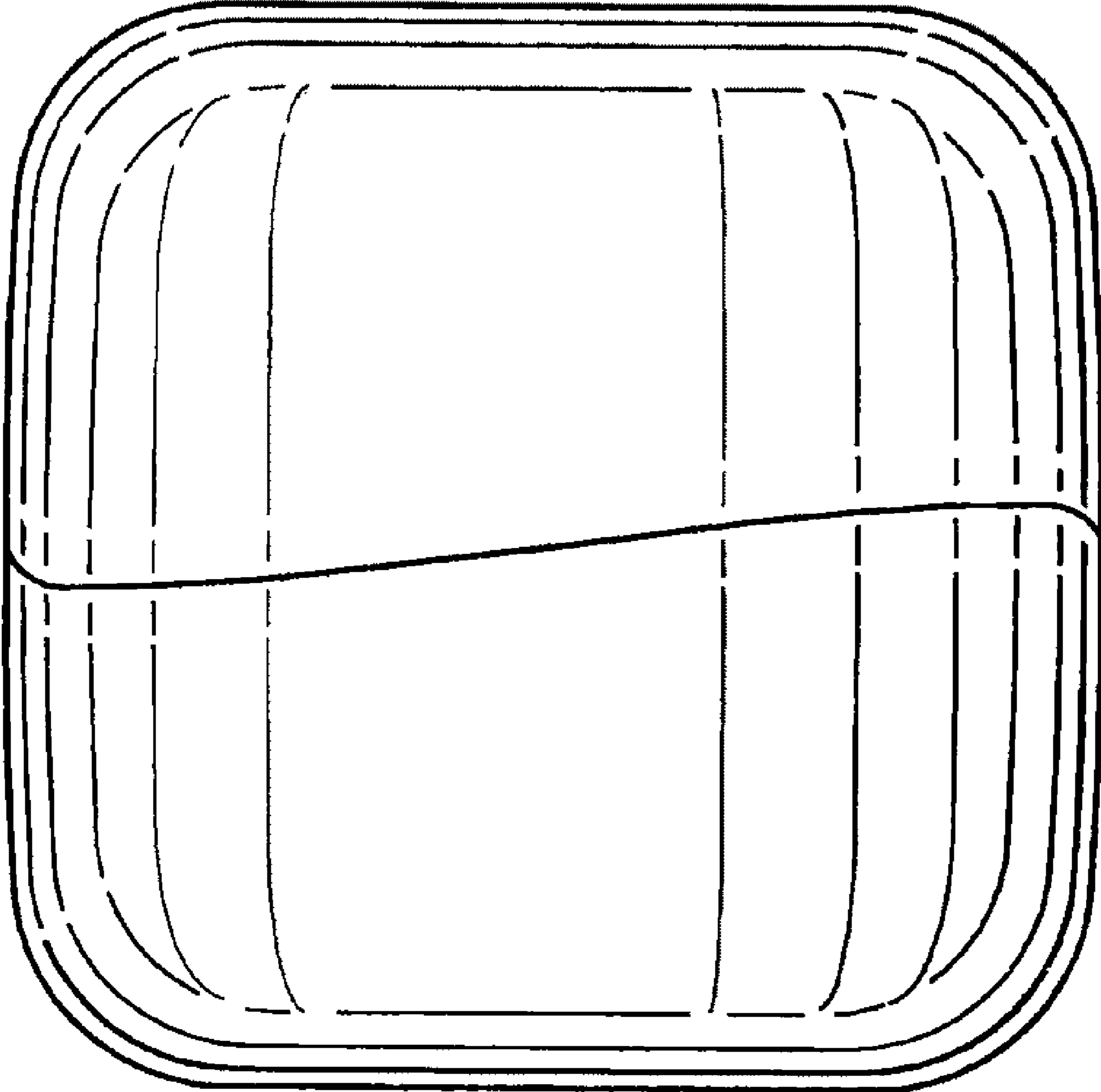


FIG. 2

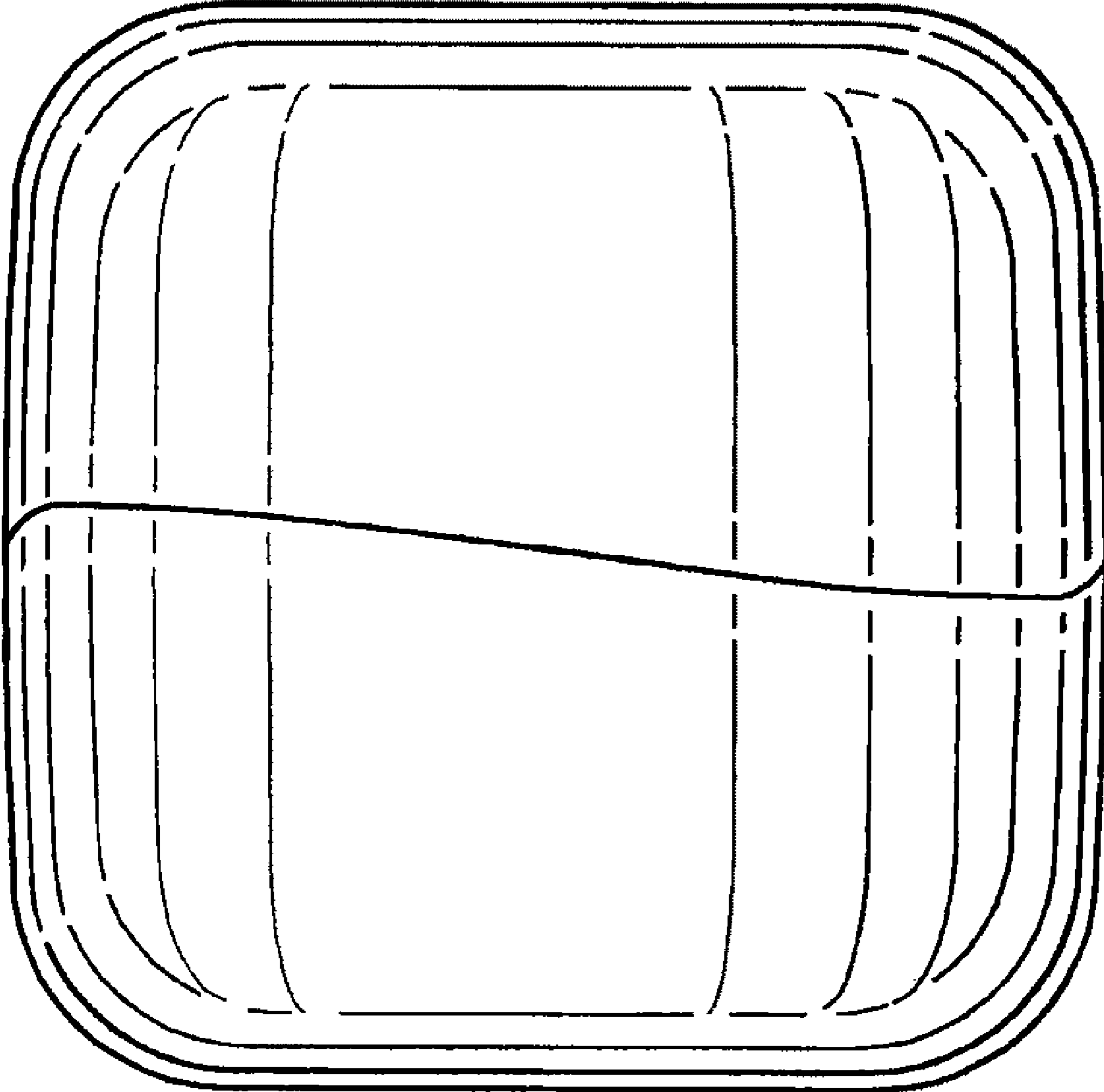


FIG. 3

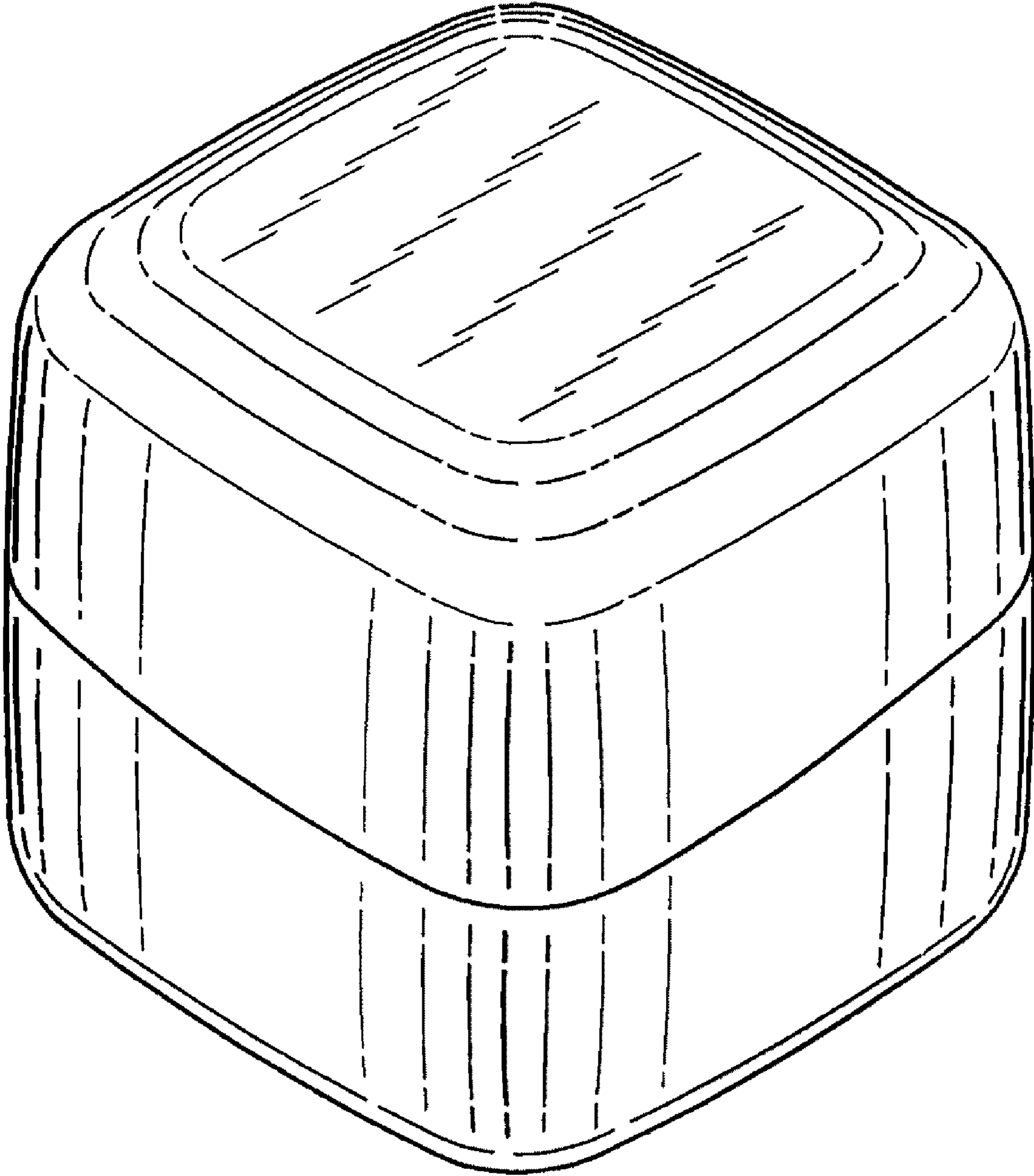


FIG. 4

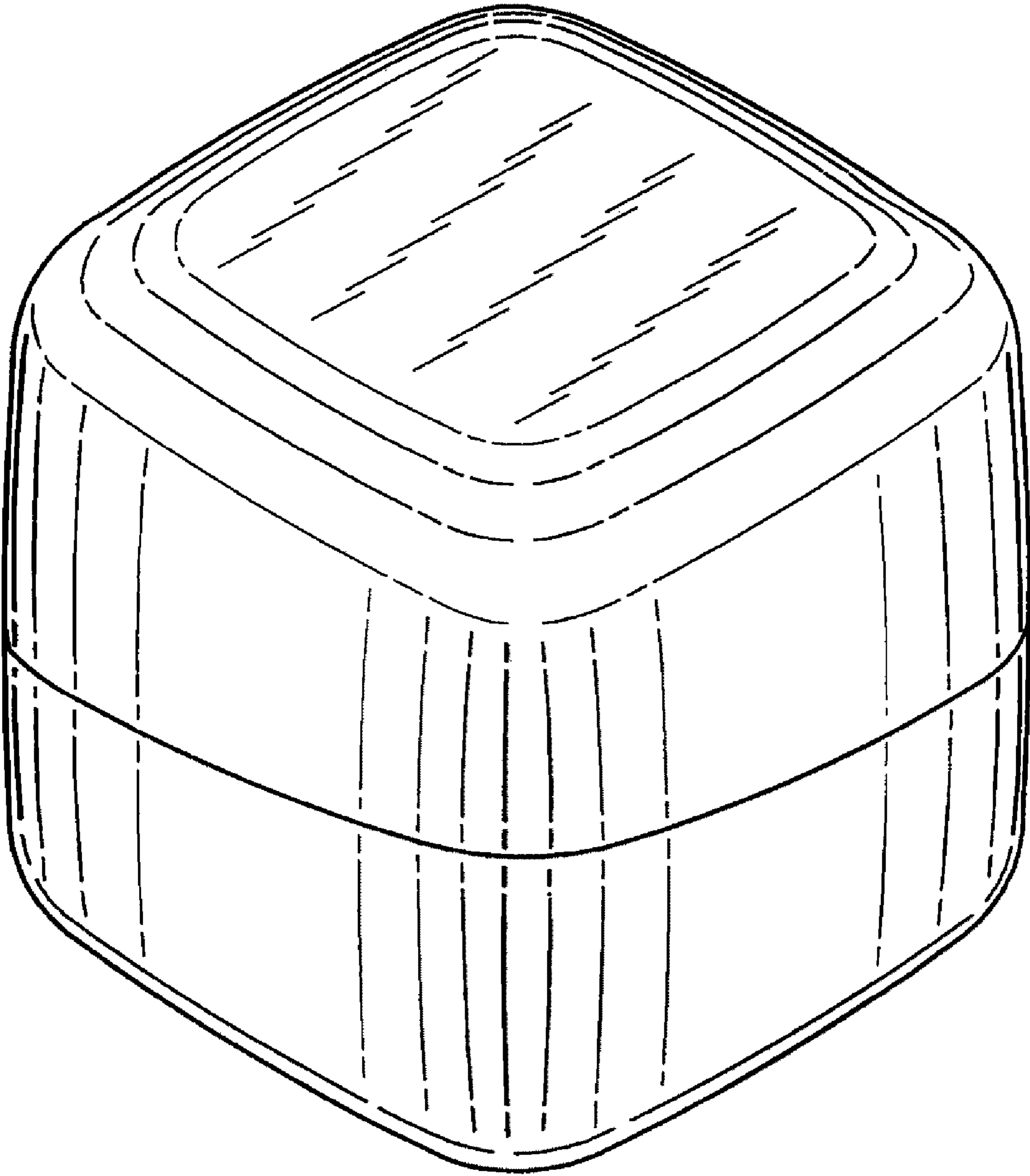


FIG. 5