



US00D620358S

(12) **United States Design Patent**
Jewett et al.

(10) **Patent No.:** **US D620,358 S**

(45) **Date of Patent:** **** Jul. 27, 2010**

(54) **CAP FOR REUSABLE BOTTLE**

D548,607 S * 8/2007 Langbein et al. D9/560
D593,858 S * 6/2009 Kubicek et al. D9/454

(76) Inventors: **Ethan Jewett**, 1934 NE. Junior St.,
Portland, OR (US) 97211; **Donald G. Carlson**, 391 Highlands Dr., Eastsound,
WA (US) 98245

* cited by examiner

Primary Examiner—Susan Bennett Hattan
(74) *Attorney, Agent, or Firm*—Alleman Hall McCoy Russell
& Tuttle LLP

(**) Term: **14 Years**

(21) Appl. No.: **29/354,103**

(22) Filed: **Jan. 19, 2010**

(51) **LOC (9) Cl.** **09-07**

(52) **U.S. Cl.** **D9/454; D9/439**

(58) **Field of Classification Search** D9/529,
D9/521, 454, 452, 447, 445, 435, 530, 453,
D9/724, 448, 538, 438; 220/200, 806, 716,
220/258.2, 257.1; 215/200, 261, 260; 222/520,
222/521, 212

See application file for complete search history.

(56) **References Cited**

U.S. PATENT DOCUMENTS

D320,554 S * 10/1991 Van Dine et al. D9/574
5,221,020 A * 6/1993 Brimo, II 220/806
5,346,088 A * 9/1994 Brimo, II 220/806
D383,390 S * 9/1997 Abfier et al. D9/520

(57) **CLAIM**

The ornamental design for a cap for reusable bottle, as shown
and described.

DESCRIPTION

FIG. 1. is a top perspective view of a cap for reusable bottle
according to the present invention.

FIG. 2 is a front view of the cap for reusable bottle of FIG. 1.

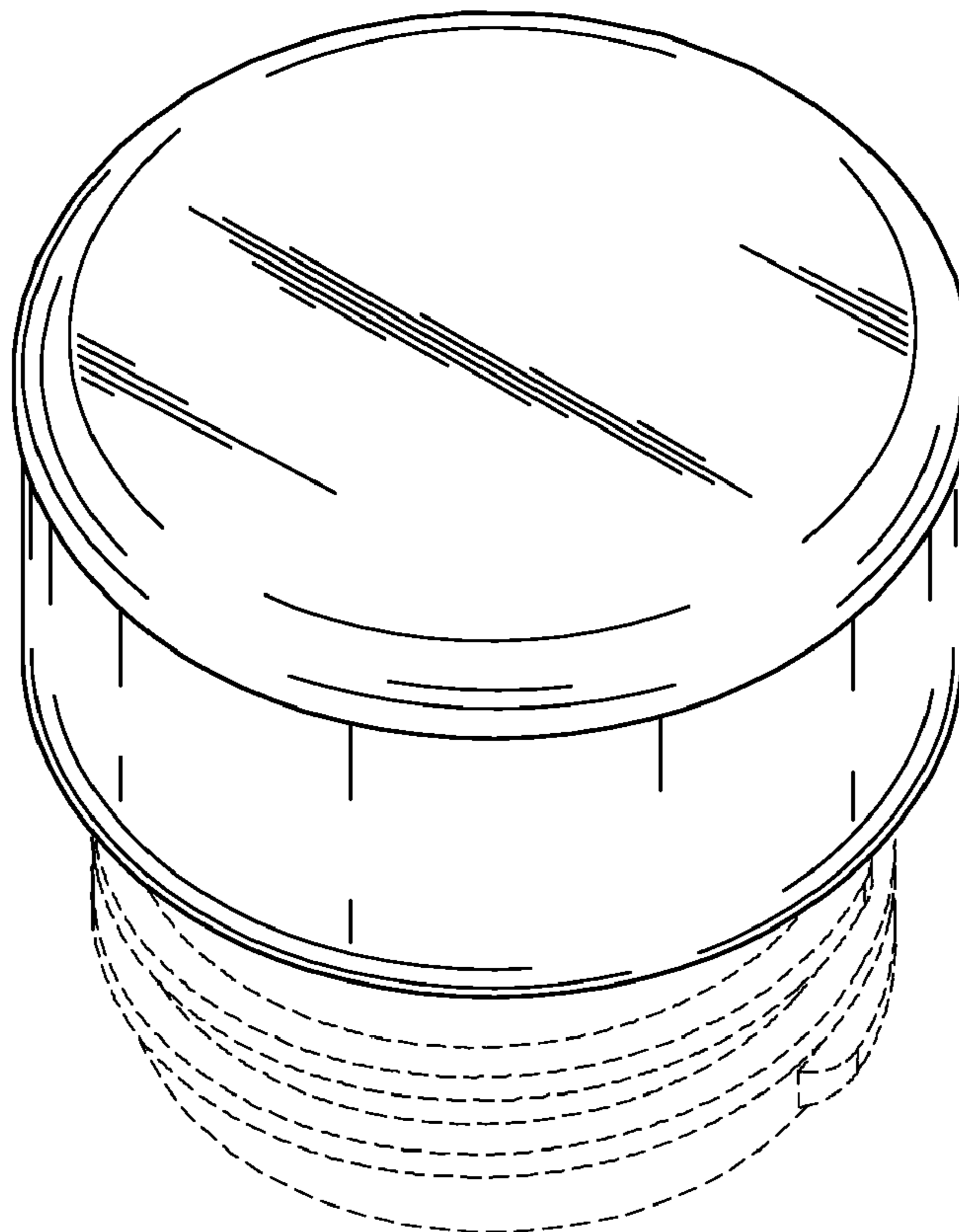
FIG. 3 is a right side view of the cap for reusable bottle of FIG.
1.

FIG. 4 is a top view of the cap for reusable bottle of FIG. 1;
and,

FIG. 5 is a bottom view of the cap for reusable bottle of FIG.
1.

The dashed lines in the figures are for environmental purposes
only and form no part of the claimed design.

1 Claim, 3 Drawing Sheets



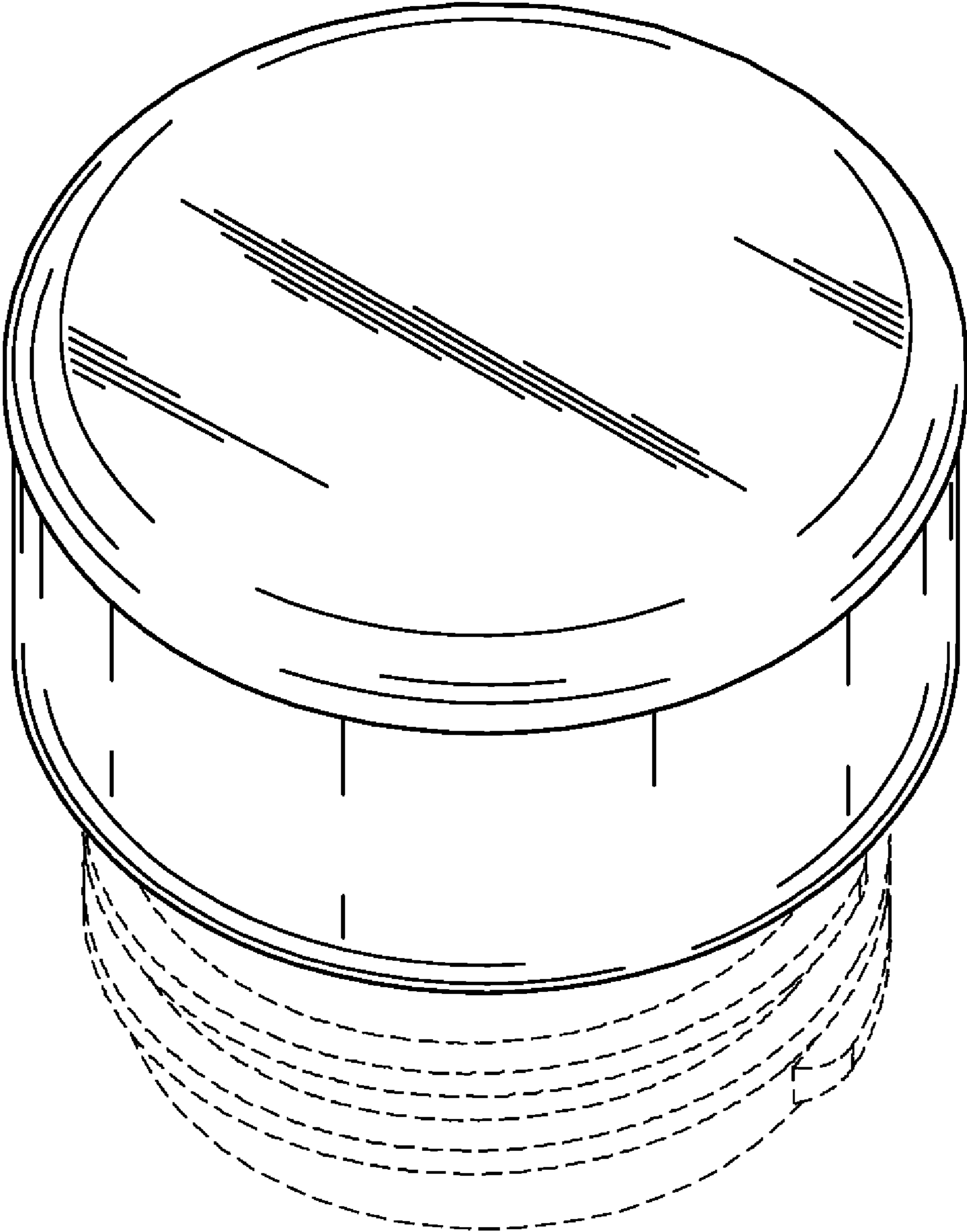


FIG. 1

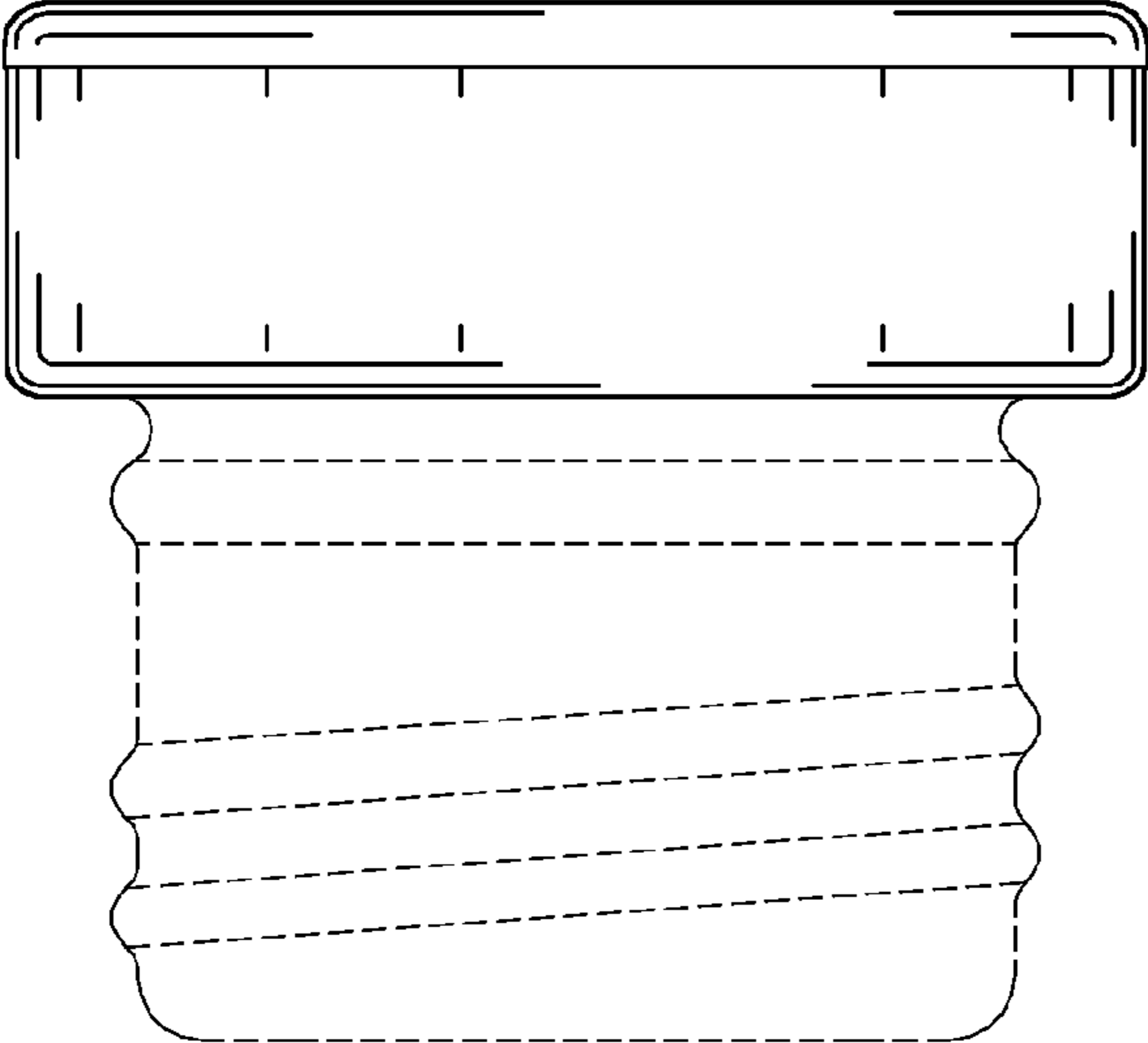


FIG. 2

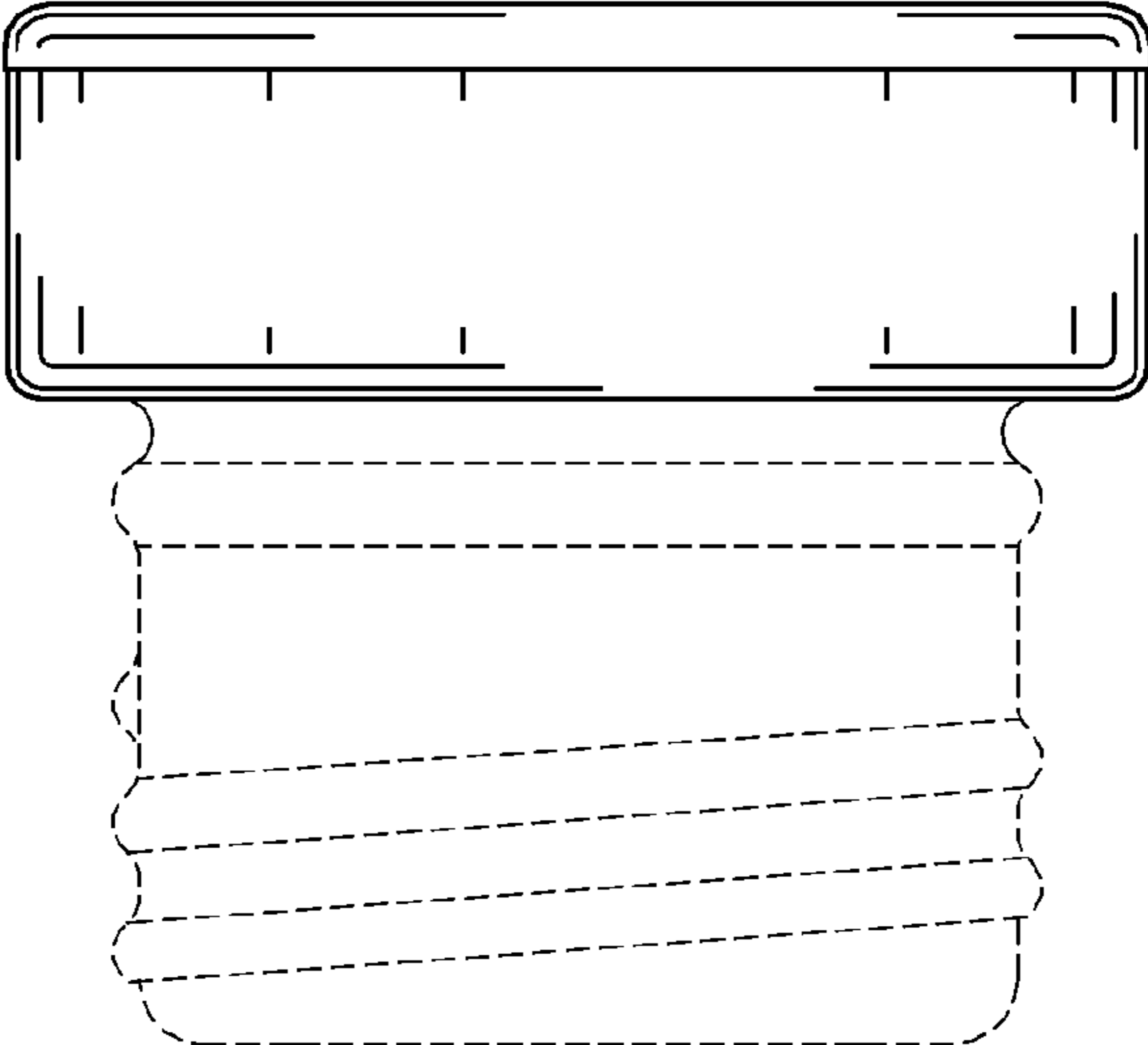


FIG. 3

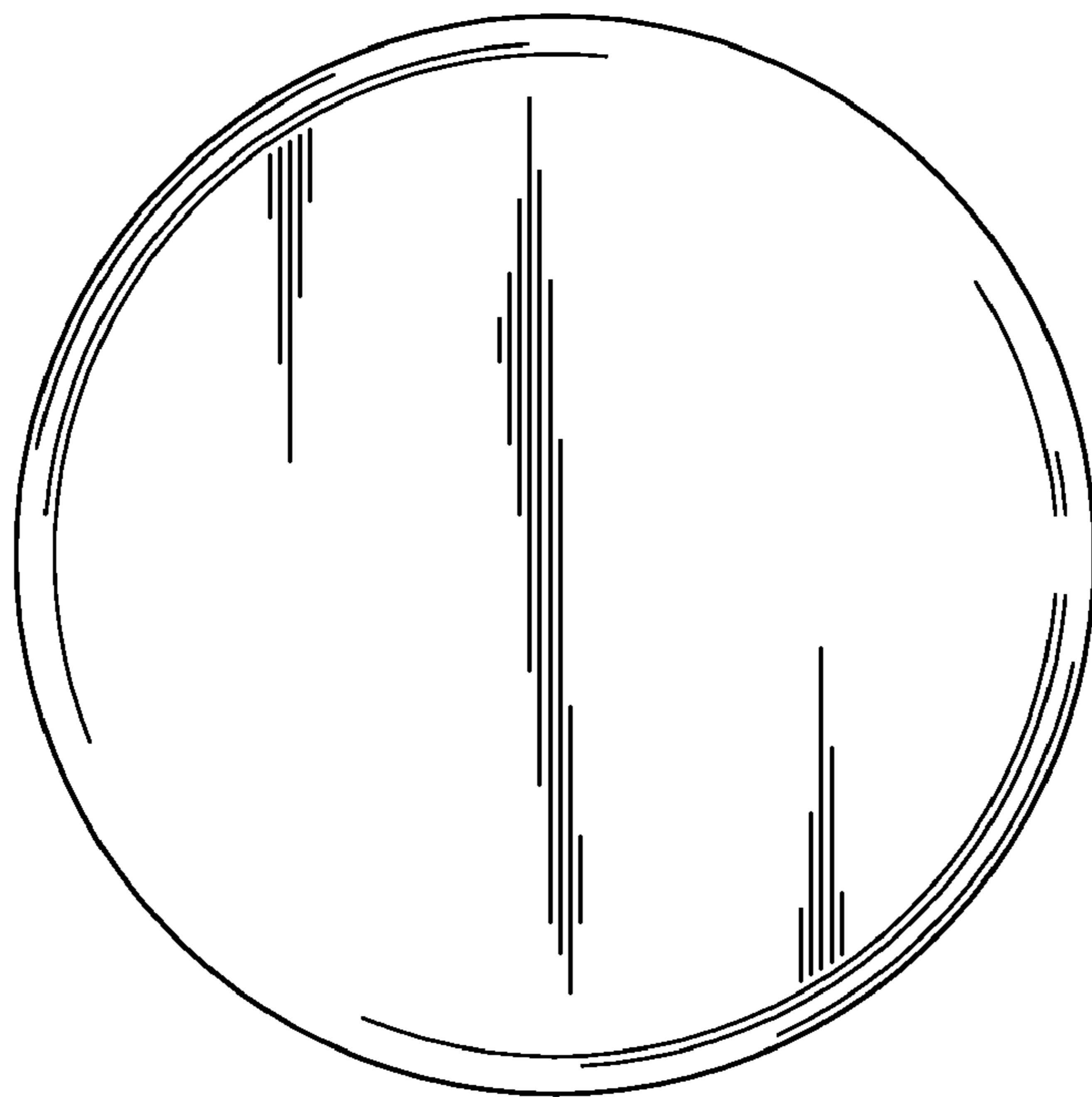


FIG. 4

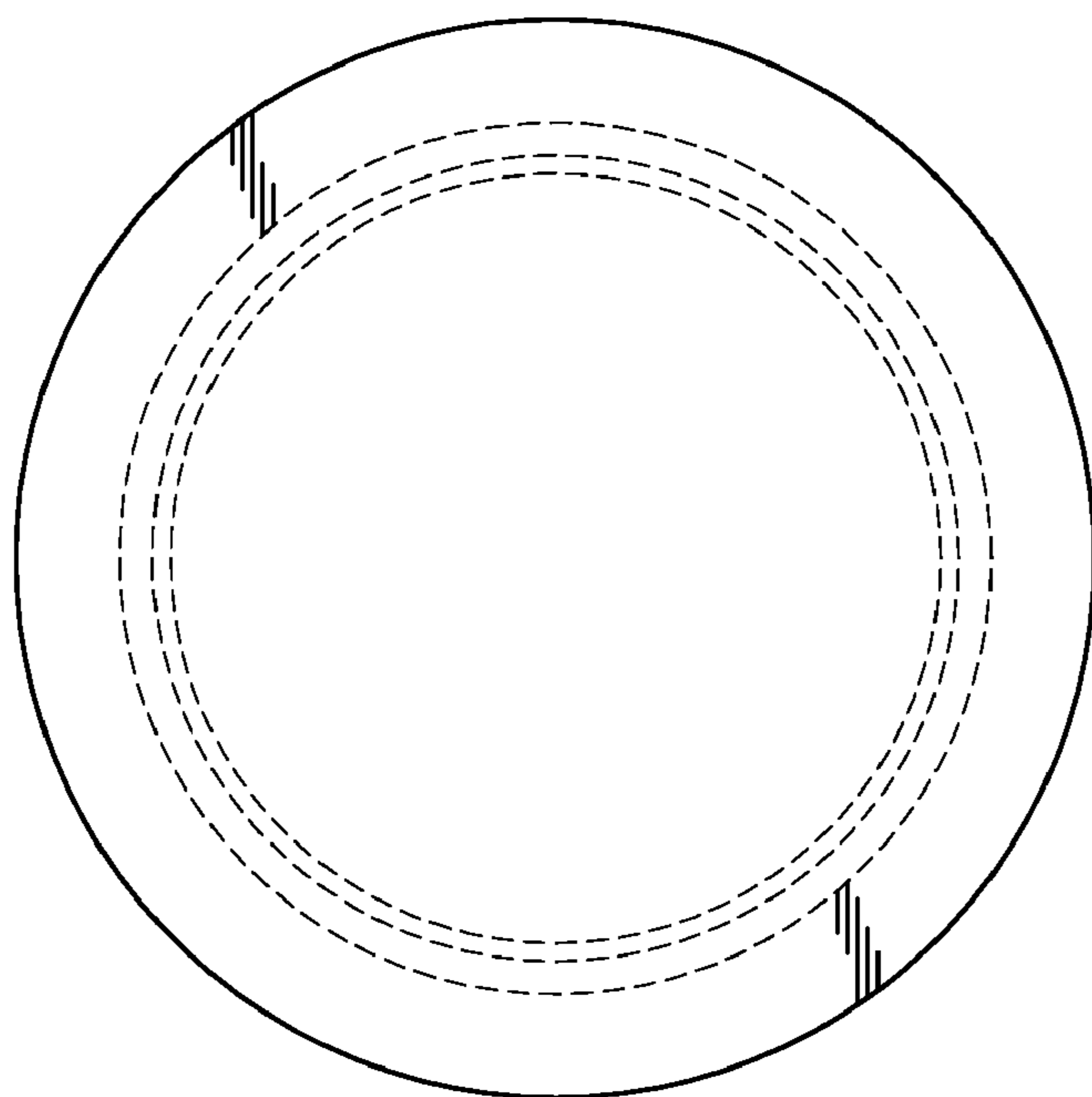


FIG. 5