



US00D620357S

(12) **United States Design Patent**  
**Jewett et al.**

(10) **Patent No.:** **US D620,357 S**  
(45) **Date of Patent:** **\*\* Jul. 27, 2010**

(54) **CAP FOR REUSABLE BOTTLE**

(76) Inventors: **Ethan Jewett**, 1934 NE. Junior St.,  
Portland, OR (US) 97211; **Donald G. Carlson**, 391 Highlands Dr., Eastsound,  
WA (US) 98245

(\*\*) Term: **14 Years**

(21) Appl. No.: **29/354,102**

(22) Filed: **Jan. 19, 2010**

(51) **LOC (9) Cl.** ..... **09-07**

(52) **U.S. Cl.** ..... **D09/443; D9/454**

(58) **Field of Classification Search** ..... D9/631,  
D9/456, 453, 451, 450, 449, 448, 447, 443,  
D9/436, 435; D7/511, 396.2, 394, 393, 392.1,  
D7/314, 305; 222/83, 81, 556, 533, 530,  
222/519, 205, 192, 158, 153.07; 220/212.5,  
220/200; 215/306, 305, 228, 200; 206/541,  
206/222, 221, 220, 219, 216

See application file for complete search history.

(56) **References Cited**

**U.S. PATENT DOCUMENTS**

D197,315 S \* 1/1964 Kahliff ..... D9/434  
3,119,541 A \* 1/1964 Lynn ..... 229/5.5  
5,409,151 A \* 4/1995 Freimark ..... 224/148.6  
D398,193 S \* 9/1998 Sanchez ..... D7/608

D431,413 S \* 10/2000 Schaper et al. .... D7/394  
D511,457 S \* 11/2005 Biesecker et al. .... D9/443  
D577,582 S \* 9/2008 Walsh et al. .... D9/443  
D612,235 S \* 3/2010 Cresswell et al. .... D9/443

\* cited by examiner

*Primary Examiner*—Susan Bennett Hattan

(74) *Attorney, Agent, or Firm*—Alleman Hall McCoy Russell  
& Tuttle LLP

(57) **CLAIM**

The ornamental design for a cap for reusable bottle, as shown  
and described.

**DESCRIPTION**

FIG. 1. is a top perspective view of a cap for reusable bottle  
according to the present invention.

FIG. 2 is a front view of the cap for reusable bottle of FIG. 1.

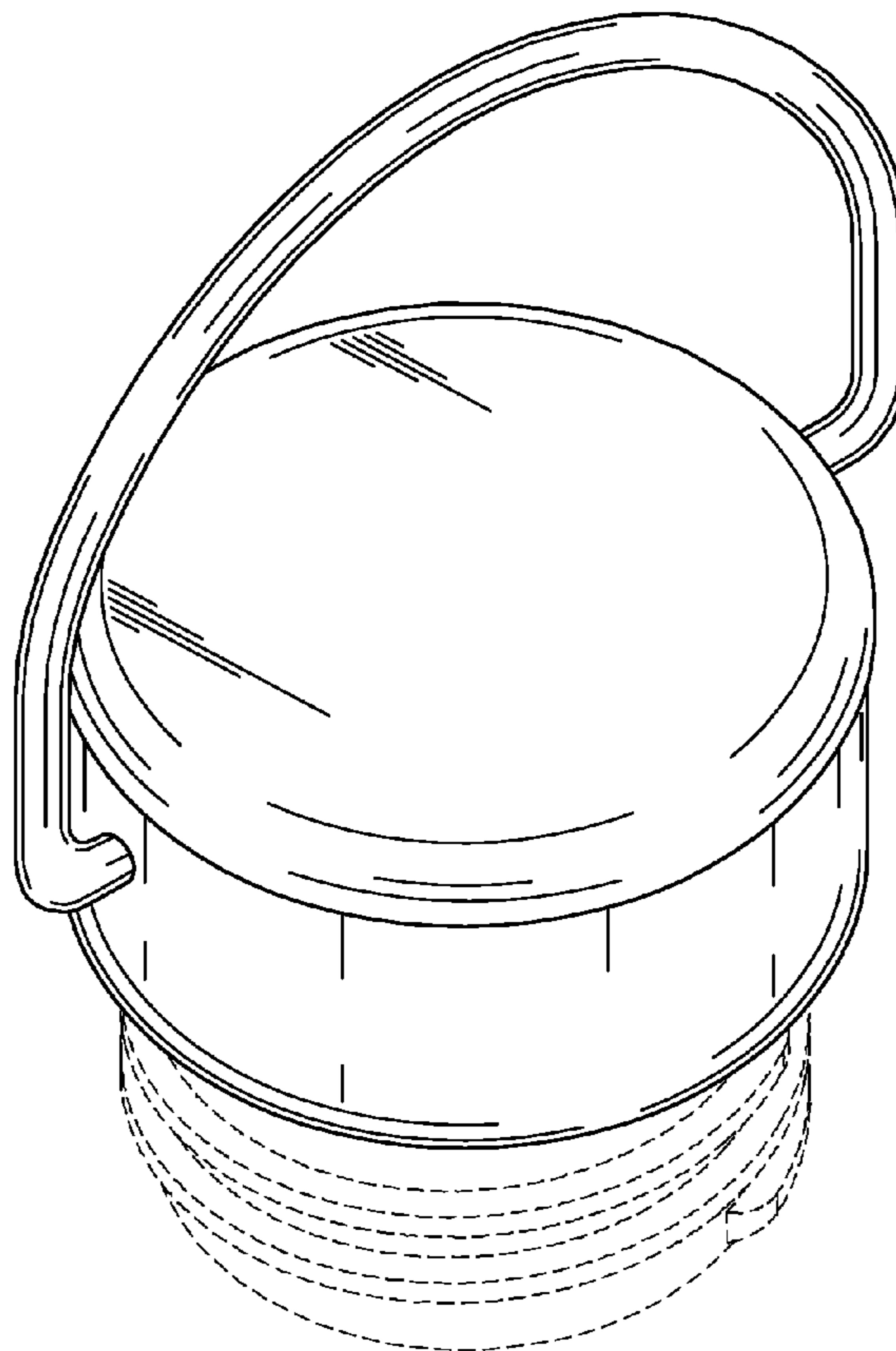
FIG. 3 is a right side view of the cap for reusable bottle of FIG.  
1.

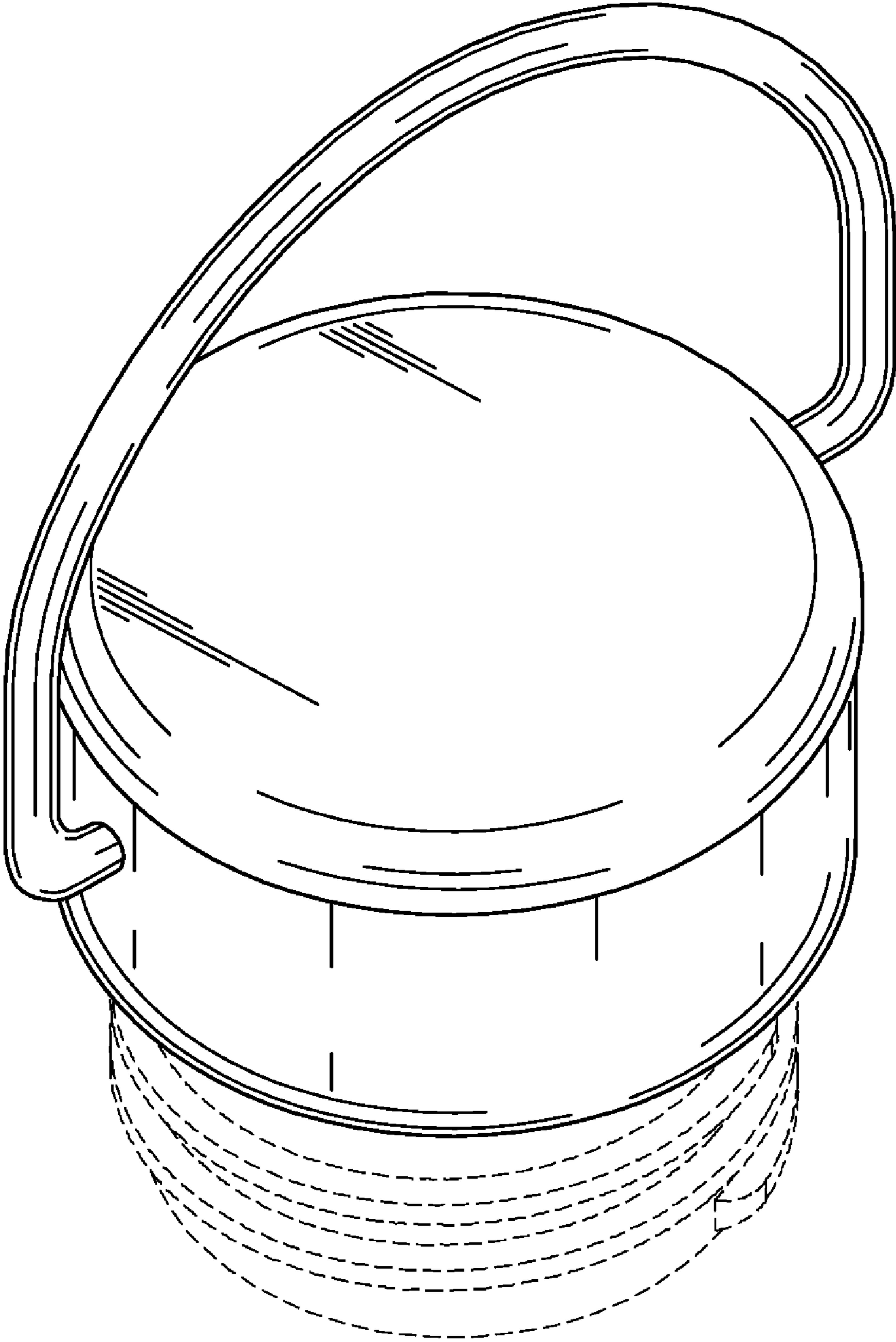
FIG. 4 is a top view of the cap for reusable bottle of FIG. 1;  
and,

FIG. 5 is a bottom view of the cap for reusable bottle of FIG.  
1.

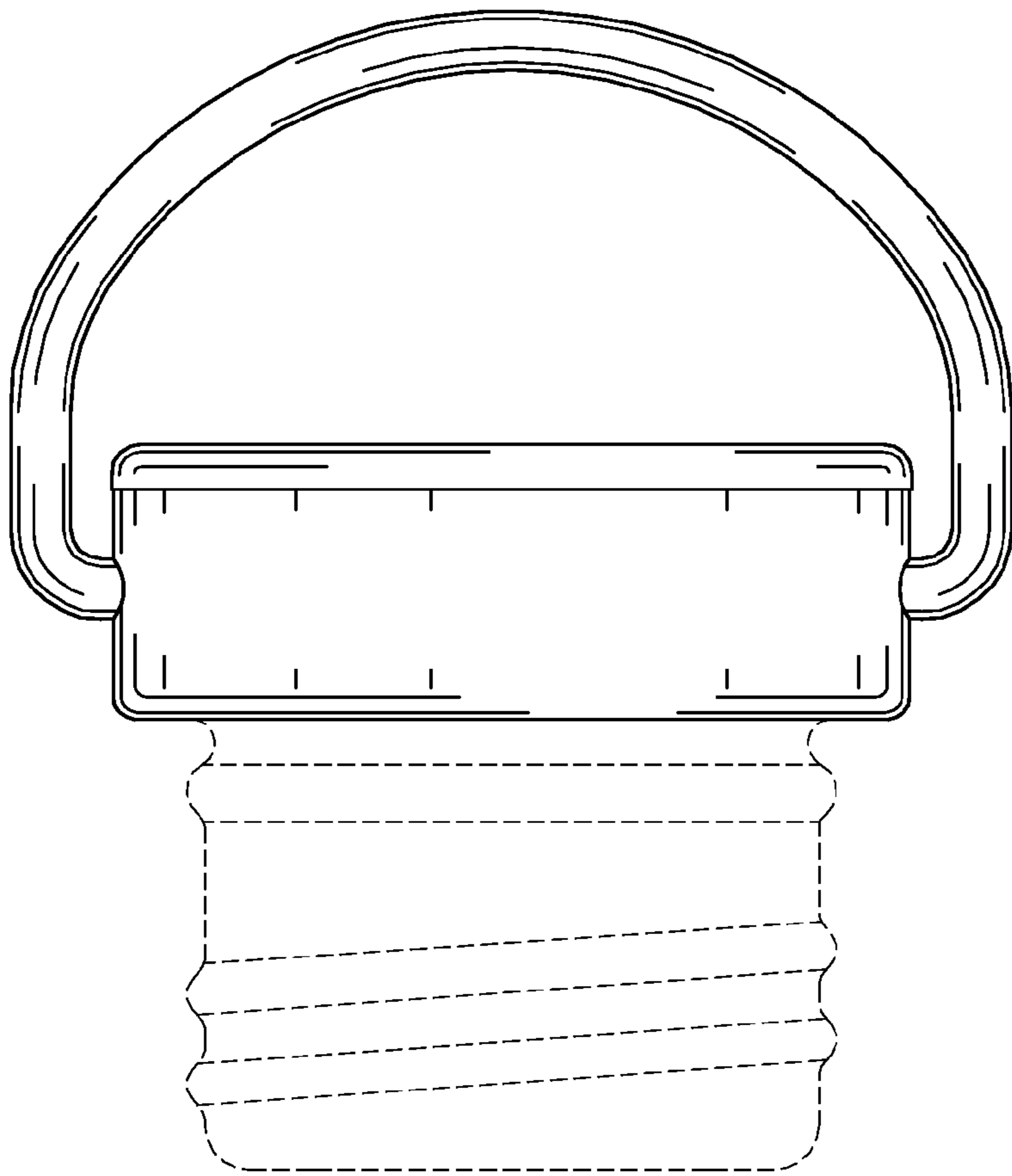
The dashed lines in the figures are for environmental purposes  
only and form no part of the claimed design.

**1 Claim, 3 Drawing Sheets**

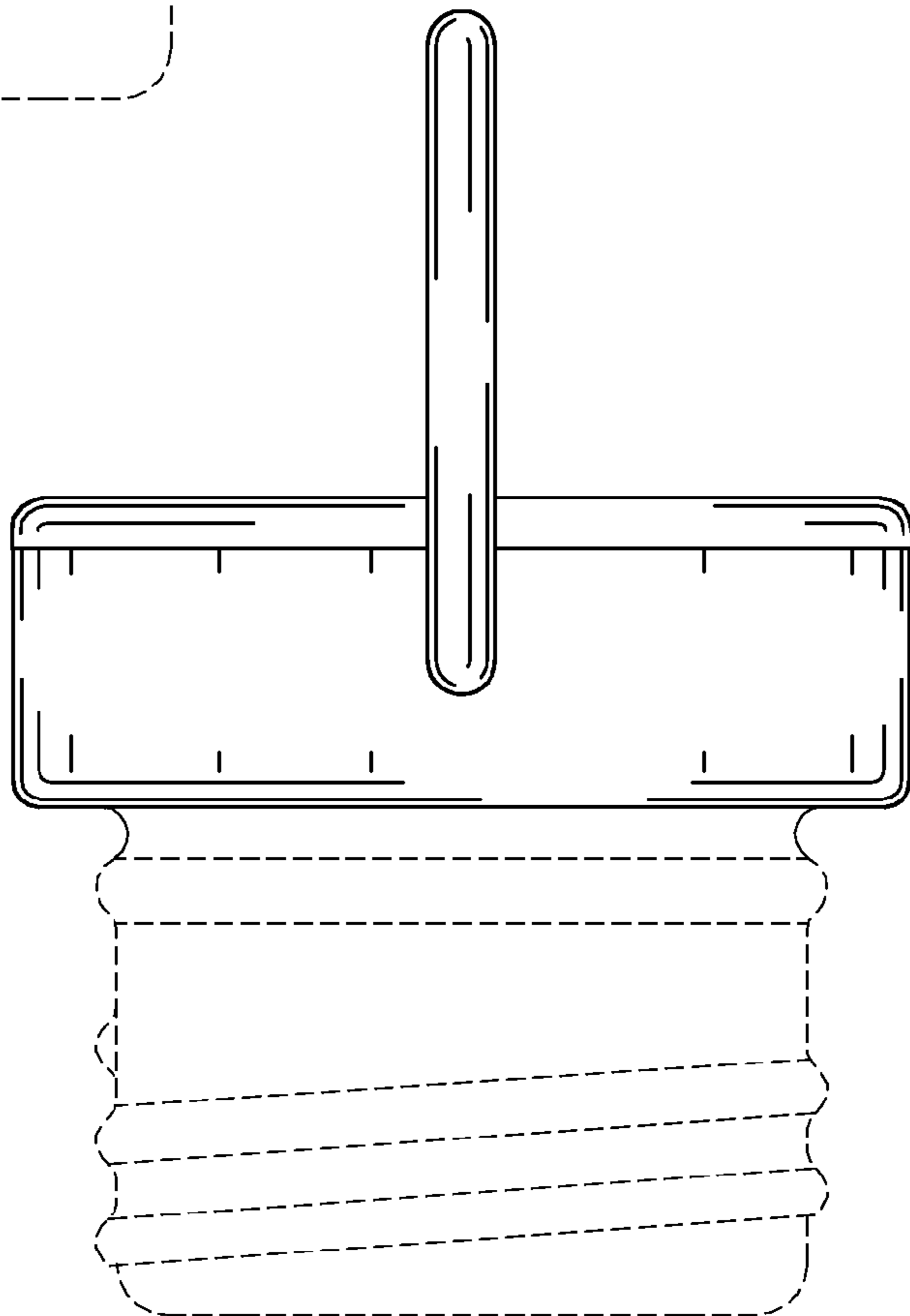




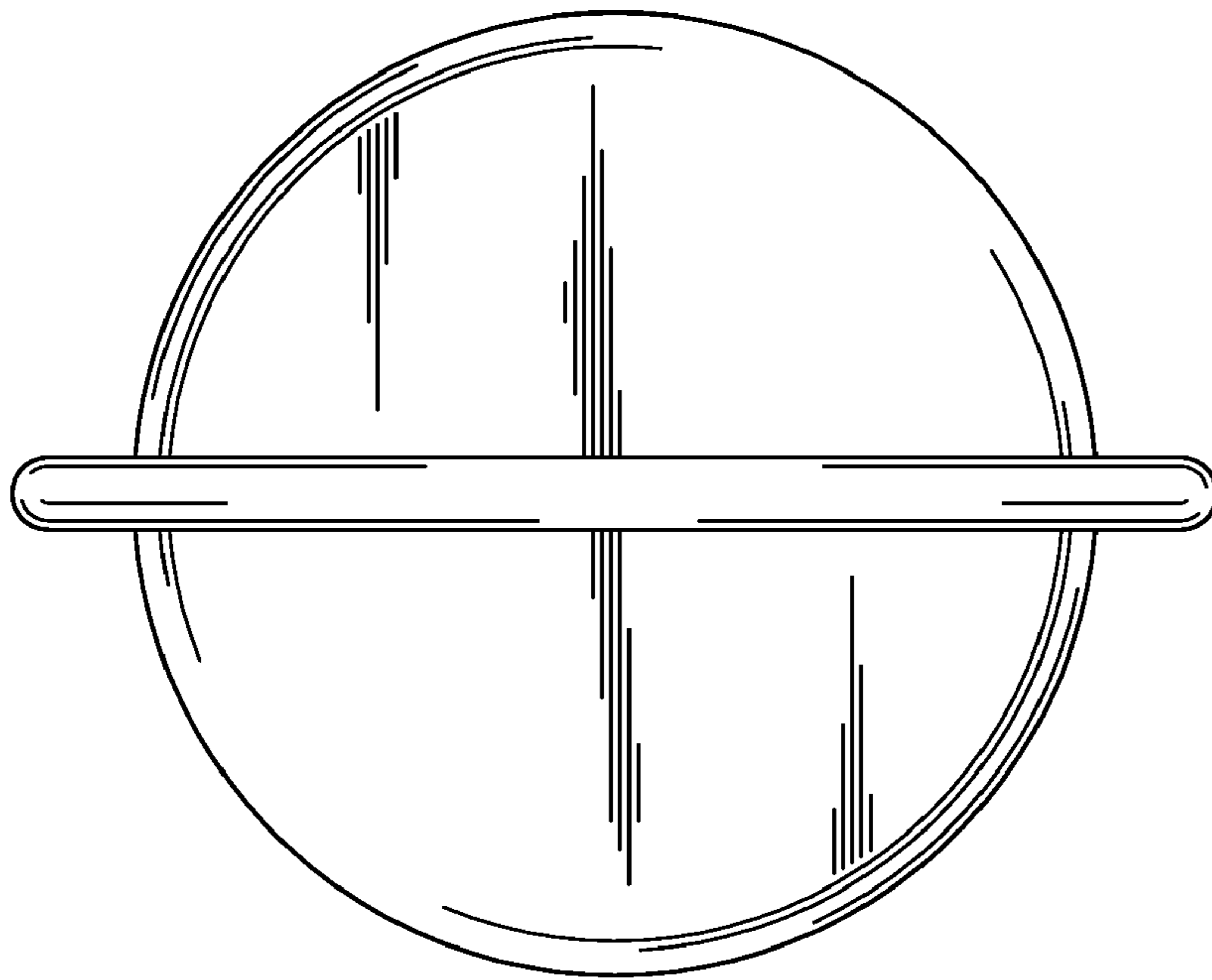
**FIG. 1**



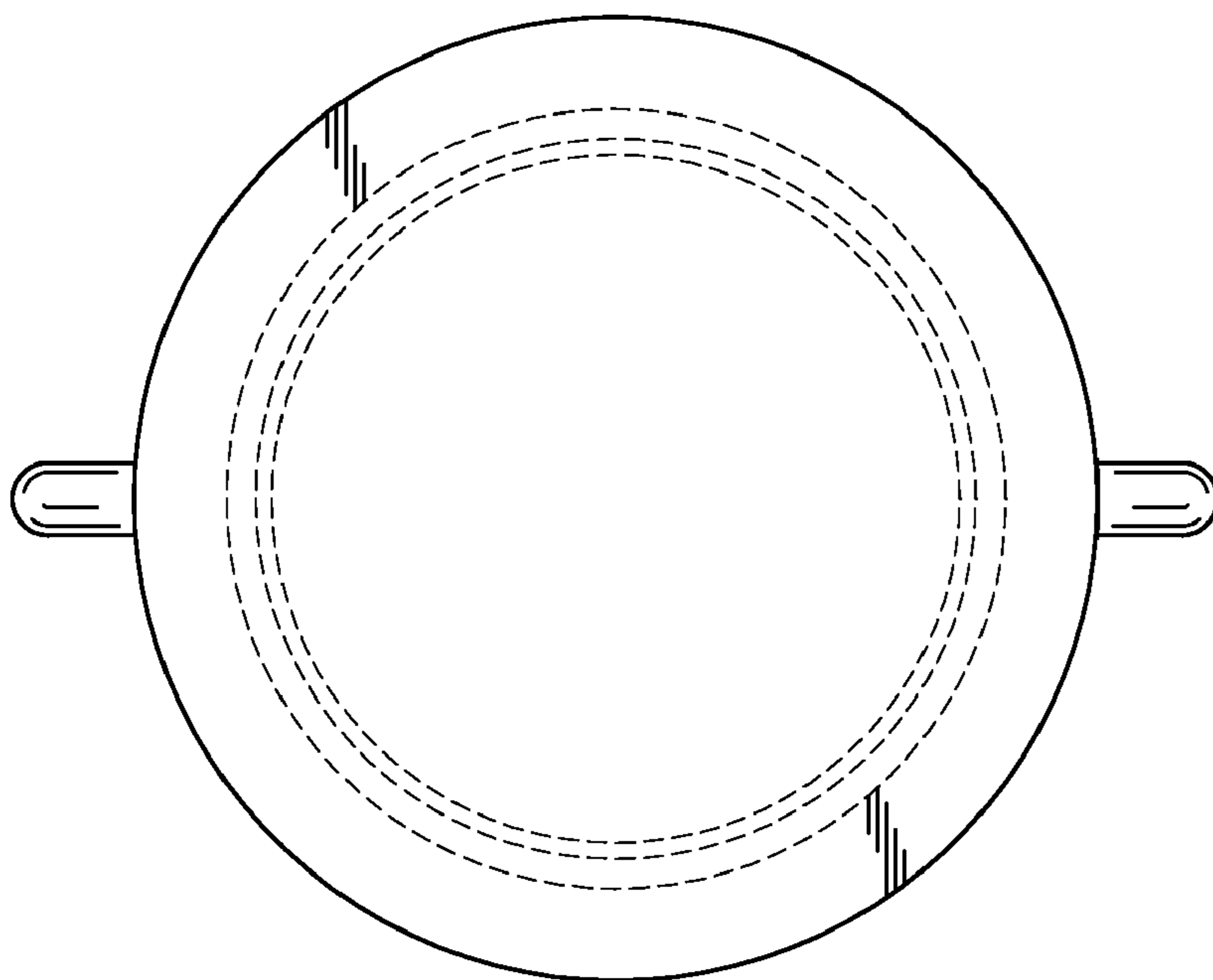
**FIG. 2**



**FIG. 3**



**FIG. 4**



**FIG. 5**