



US00D620353S

(12) **United States Design Patent**  
**Block et al.**

(10) **Patent No.:** **US D620,353 S**  
(45) **Date of Patent:** **\*\* Jul. 27, 2010**

(54) **WRAP AROUND BOTTLE CARRIER**

(75) Inventors: **Steven J. Block**, Amelia, OH (US);  
**Brad Burlison**, Dallas, TX (US);  
**Charles A. Miller**, Williamsburg, OH  
(US); **Paul Richardson**, Cincinnati, OH  
(US); **Raymond L. Zacher**, West  
Chester, OH (US)

(73) Assignee: **The C.W. Zumbiel Company**,  
Cincinnati, OH (US)

(\*\*) Term: **14 Years**

(21) Appl. No.: **29/327,125**

(22) Filed: **Oct. 31, 2008**

(51) **LOC (9) Cl.** ..... **09-03**

(52) **U.S. Cl.** ..... **D9/433**

(58) **Field of Classification Search** ..... D9/430-433,  
D9/414, 418, 420-424, 754; 206/267, 269,  
206/270, 273, 299, 737, 740, 822, 141, 142,  
206/162, 175; 229/100, 101, 101.3, 106,  
229/108-112, 114-117, 117.05-117.09,  
229/117.24-117.26, 221, 222, 227, 902,  
229/939, 941, 942, 182.1, 934

See application file for complete search history.

(56) **References Cited**

**U.S. PATENT DOCUMENTS**

2,172,090	A *	9/1939	Powell	.....	206/140
3,578,238	A	5/1971	Schillinger		
3,627,193	A *	12/1971	Helms	.....	206/427
3,688,972	A	9/1972	Mahon		
3,986,658	A *	10/1976	Arneson et al.	.....	206/193
D242,901	S *	1/1977	Lohrbach	.....	D9/432

(Continued)

*Primary Examiner*—Robert M Spear

*Assistant Examiner*—Karen Acker

(74) *Attorney, Agent, or Firm*—Wood, Herron & Evans, LLP

(57) **CLAIM**

The ornamental design for a wrap around bottle carrier, as shown and described.

**DESCRIPTION**

FIG. 1 is a perspective view of a wrap around bottle carrier showing our new design;

FIG. 2 is a top plan view thereof;

FIG. 3 is a front elevational view thereof, the rear view being identical;

FIG. 4 is a left side elevational view thereof, the right view side being a mirror image;

FIG. 5 is a reduced bottom plan view thereof;

FIG. 6 is a reduced top plan view of the blank thereof, the bottom plan being an identical image;

FIG. 7 is a front elevational view of FIG. 6, the rear view being a mirror image;

FIG. 8 is a left side elevational view of FIG. 6;

FIG. 9 is a right side elevational view of FIG. 6;

FIG. 10 is a perspective view of another embodiment of a wrap around bottle carrier showing our new design;

FIG. 11 is a top plan view thereof;

FIG. 12 is a front elevational view thereof, the rear view being identical;

FIG. 13 is a left side elevational view thereof, the right view side being a mirror image;

FIG. 14 is a reduced bottom plan view thereof;

FIG. 15 is a reduced top plan view of the blank thereof, the bottom plan being an identical image;

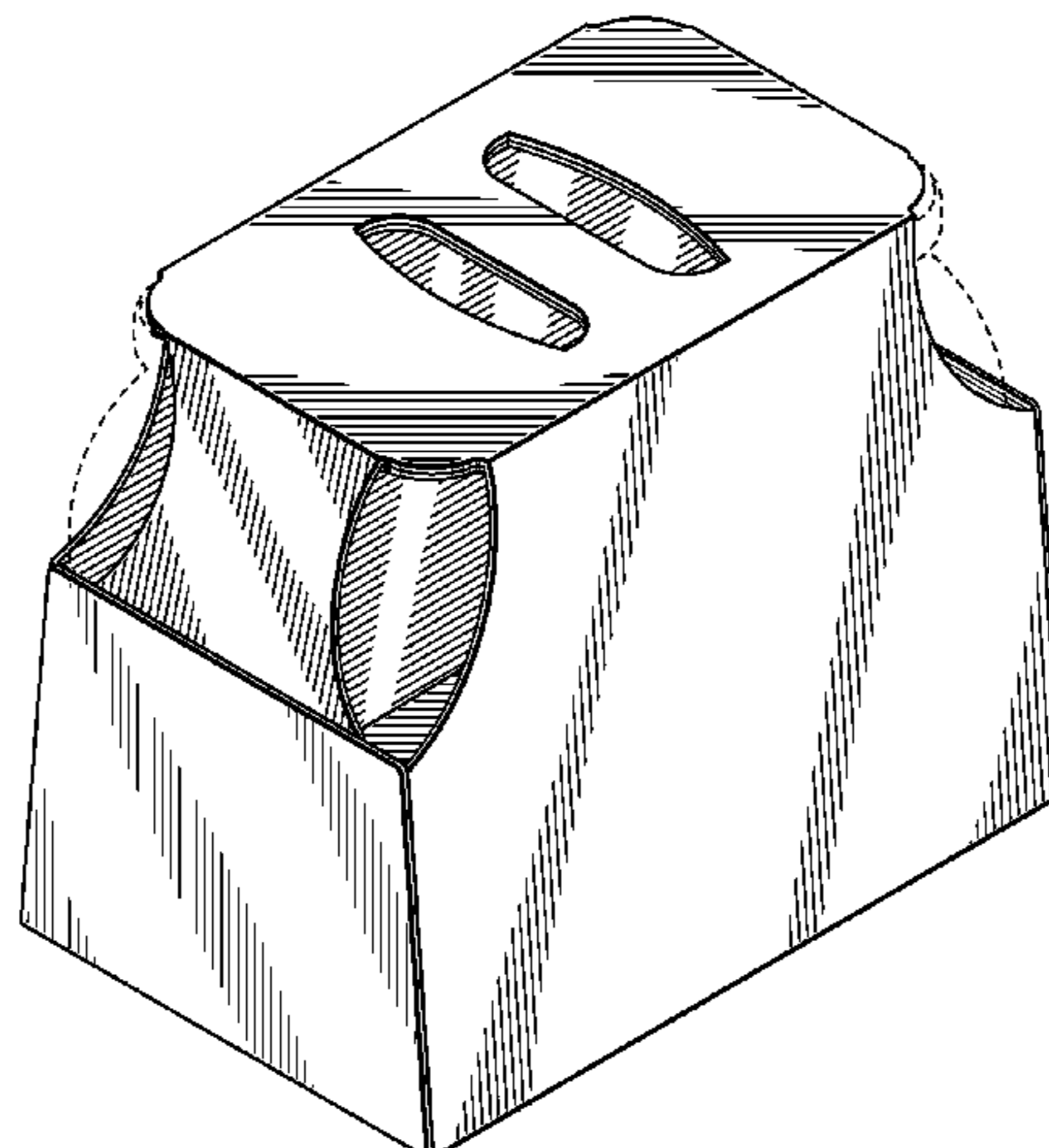
FIG. 16 is a front elevational view of FIG. 15, the rear view being a mirror image;

FIG. 17 is a left side elevational view of FIG. 15; and,

FIG. 18 is a right side elevational view of FIG. 15.

The long-short broken lines in FIGS. 6 and 15 represent claimed fold lines. The equally spaced broken lines in the drawings represent unclaimed environmental subject matter and form no part of the claimed design.

**1 Claim, 6 Drawing Sheets**



# US D620,353 S

Page 2

## U.S. PATENT DOCUMENTS

4,029,207	A	6/1977	Gordon				
4,747,487	A	5/1988	Wood				
D316,672	S *	5/1991	Wood .....	D9/754			
5,246,112	A	9/1993	Stout et al.				
D348,393	S *	7/1994	Neitzke et al. ....	D9/418			
5,360,113	A	11/1994	Harris				
5,375,715	A *	12/1994	Serre et al. ....	206/427			
5,381,948	A *	1/1995	Coalier et al. ....	229/109			
5,400,955	A *	3/1995	Coalier et al. ....	229/108			
5,427,241	A	6/1995	Sutherland				
5,439,110	A	8/1995	Regan, II				
D373,306	S	9/1996	Baxter				
5,551,556	A	9/1996	Sutherland				
5,692,614	A	12/1997	Harris				
5,704,470	A	1/1998	Sutherland				
D395,007	S	6/1998	Miller et al.				
D395,601	S	6/1998	Miller et al.				
5,944,253	A	8/1999	Miller et al.				
5,947,367	A	9/1999	Miller et al.				
D415,423	S	10/1999	Miller et al.				
D418,052	S	12/1999	Scrimger				
6,085,969	A	7/2000	Burgoyne				
6,105,774	A	8/2000	Jackson				
6,109,438	A	8/2000	Sutherland				
6,112,977	A *	9/2000	Sutherland et al. ....	229/117.13			
6,227,367	B1	5/2001	Harrelson et al.				
6,253,993	B1 *	7/2001	Lloyd et al. ....	229/117.3			
6,631,803	B2	10/2003	Rhodes et al.				
6,666,331	B2	12/2003	Archer				
D490,703	S	6/2004	Rusnock				
6,766,940	B2	7/2004	Negelen				
6,896,130	B2	5/2005	Theelen				
6,899,221	B2	5/2005	Skolik et al.				
6,945,450	B2	9/2005	Rusnock				
7,331,505	B2	2/2008	Holley, Jr.				
7,337,897	B2	3/2008	Sutton-Rainey et al.				
D576,482	S *	9/2008	DeBusk .....	D9/416			
2006/0283744	A1 *	12/2006	Kruit .....	206/427			
2007/0080199	A1	4/2007	Sutherland				
2007/0199979	A1	8/2007	Holley				
2008/0245679	A1	10/2008	Auclair				

\* cited by examiner

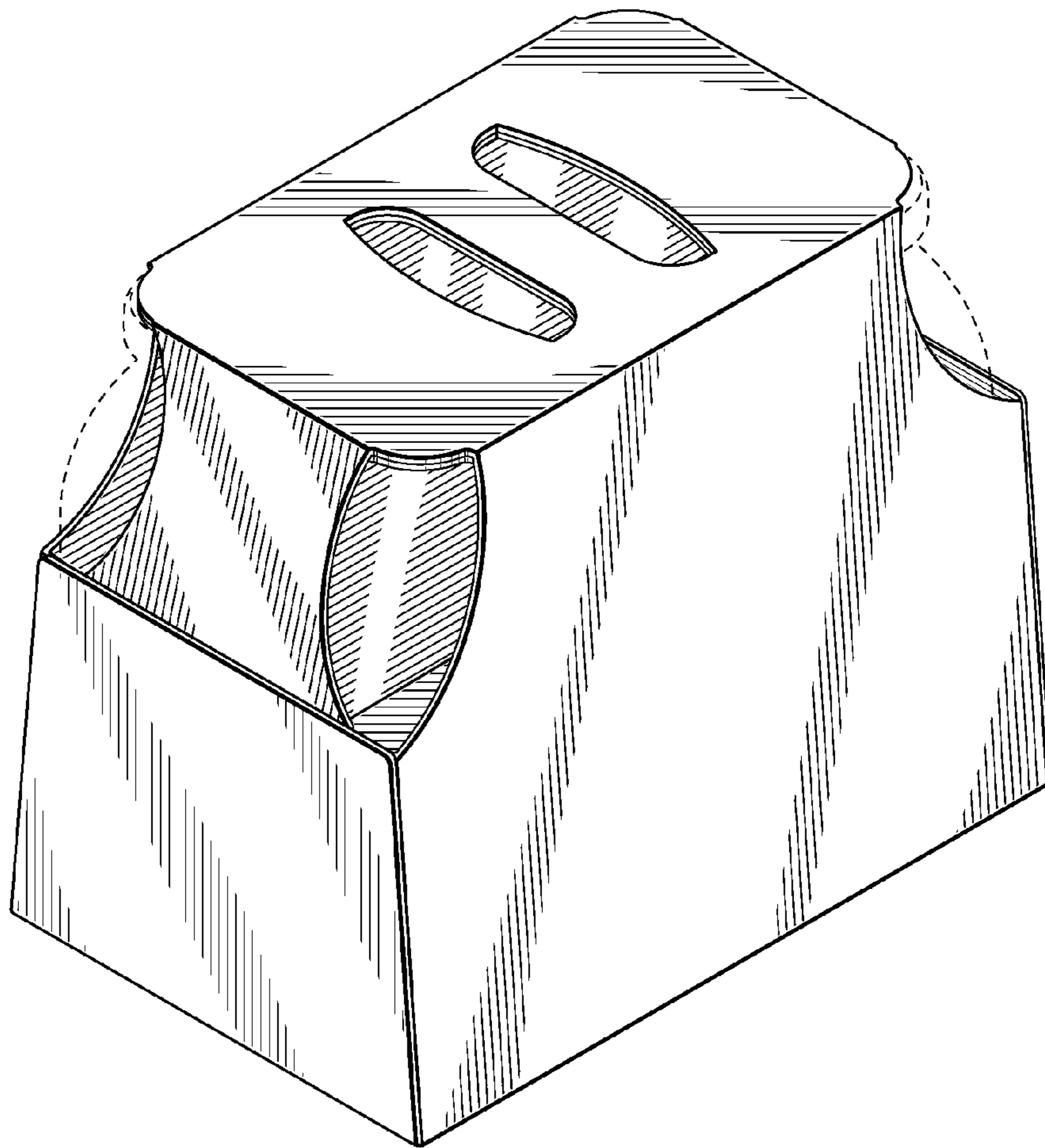


FIG. 1

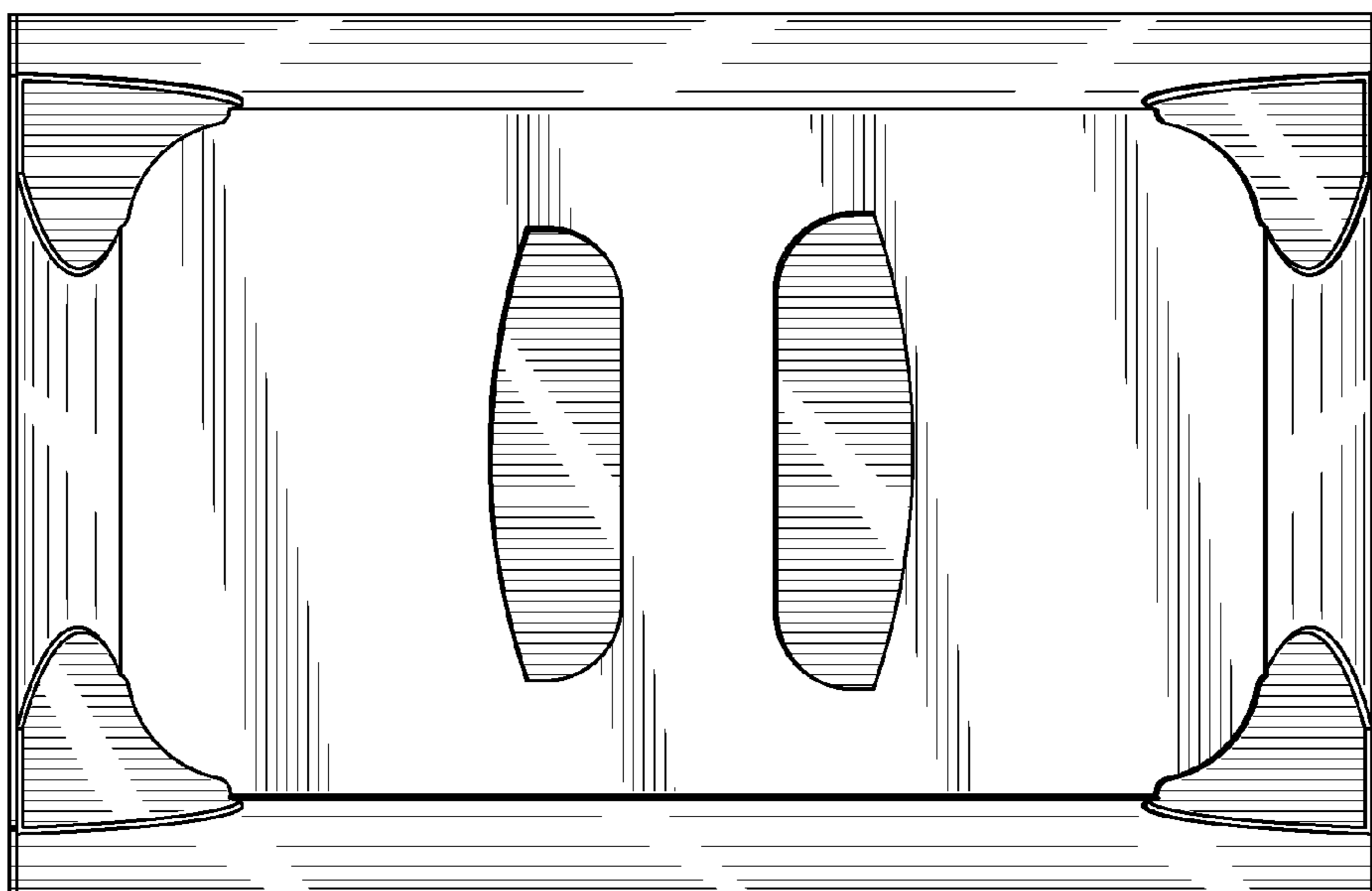


FIG. 2

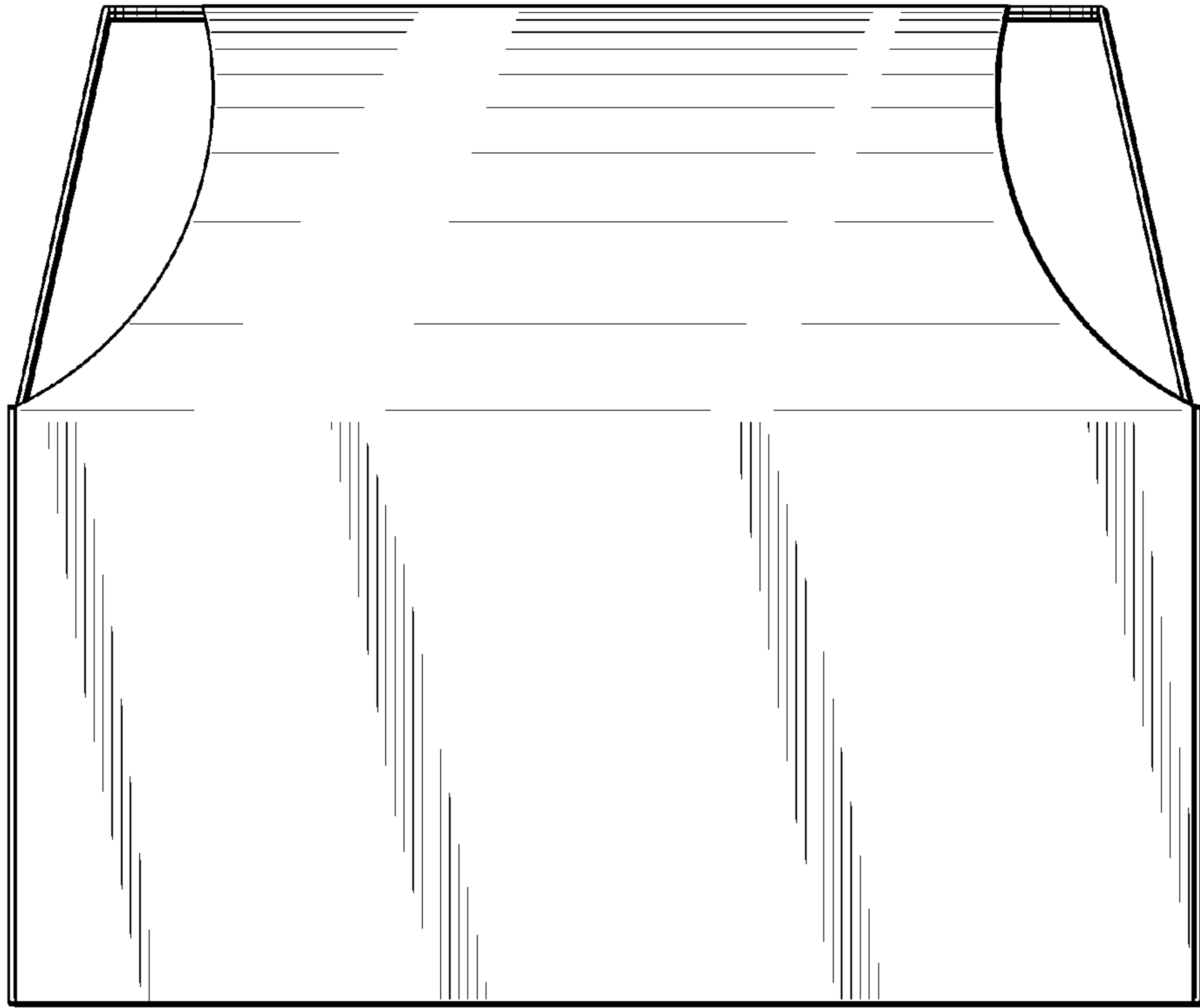


FIG. 3

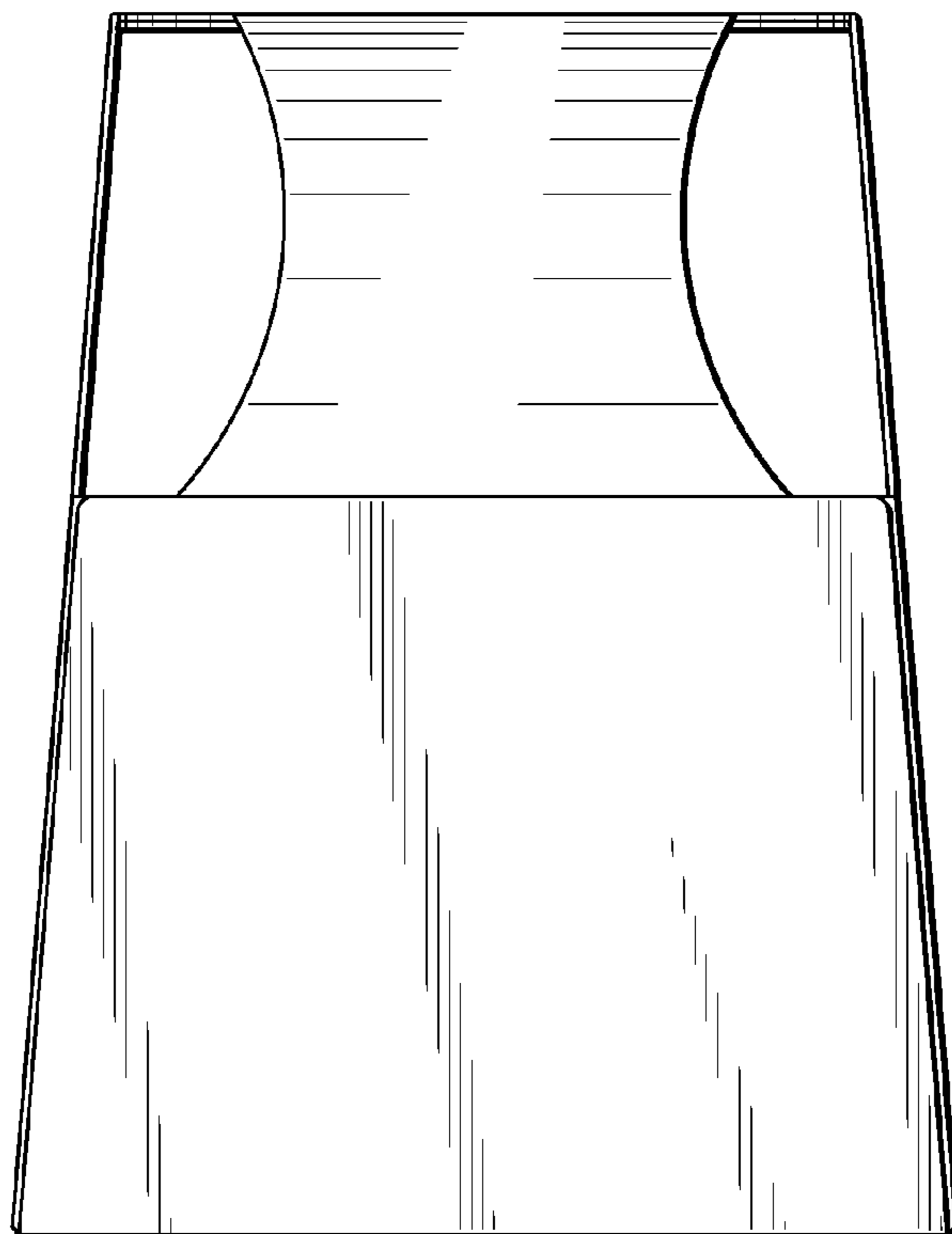


FIG. 4

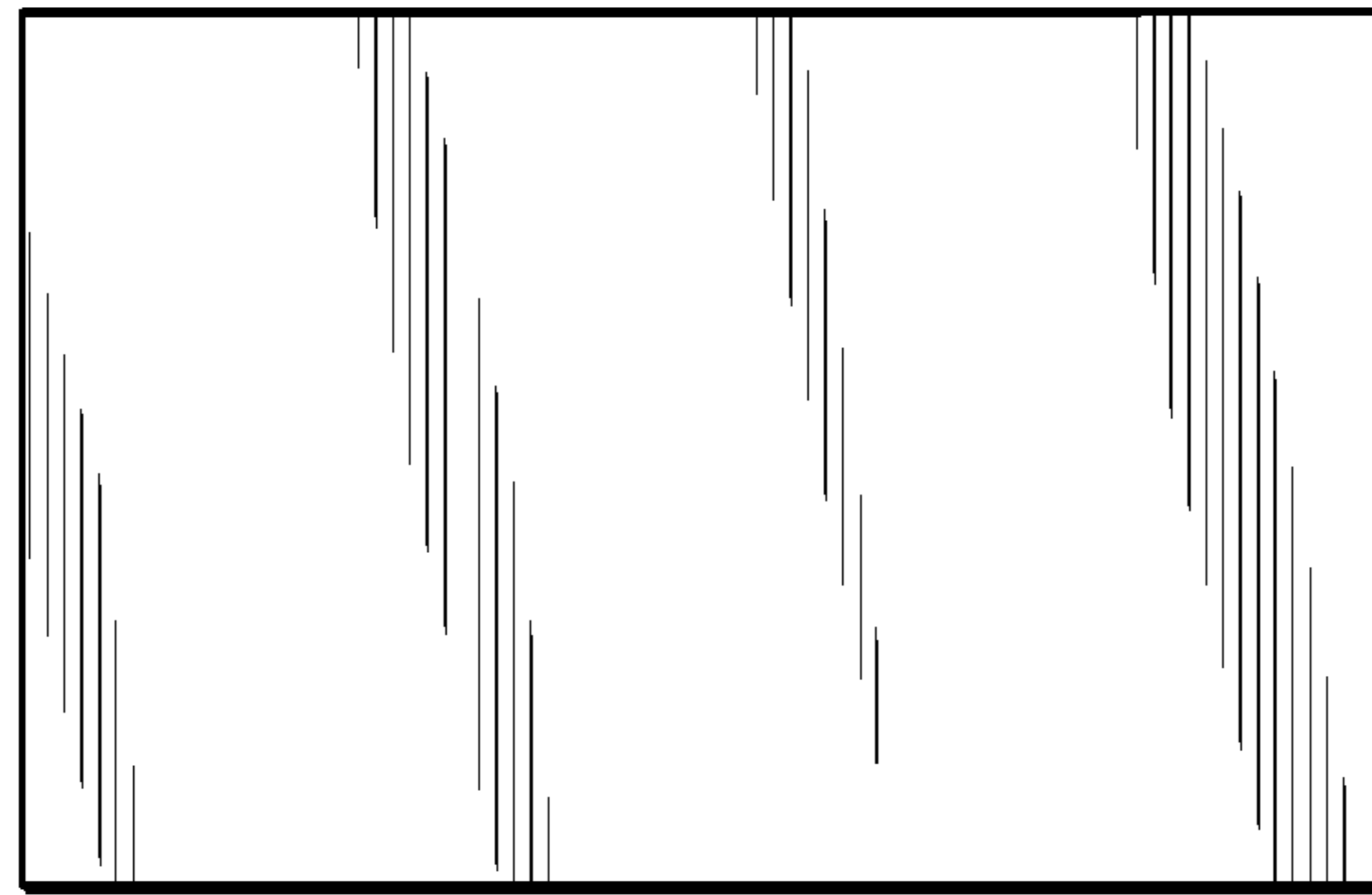


FIG. 5

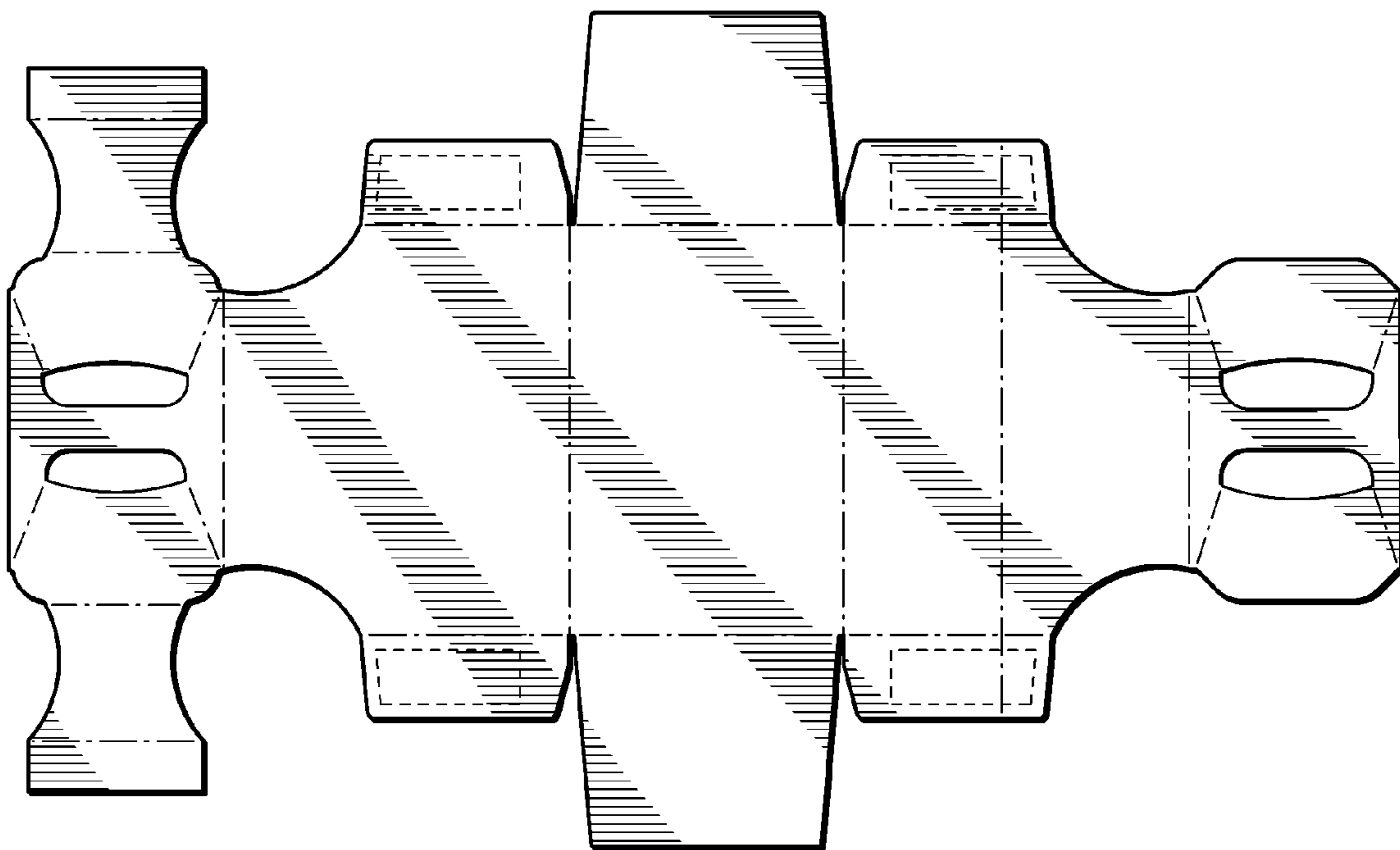


FIG. 6



FIG. 7



FIG. 8



FIG. 9

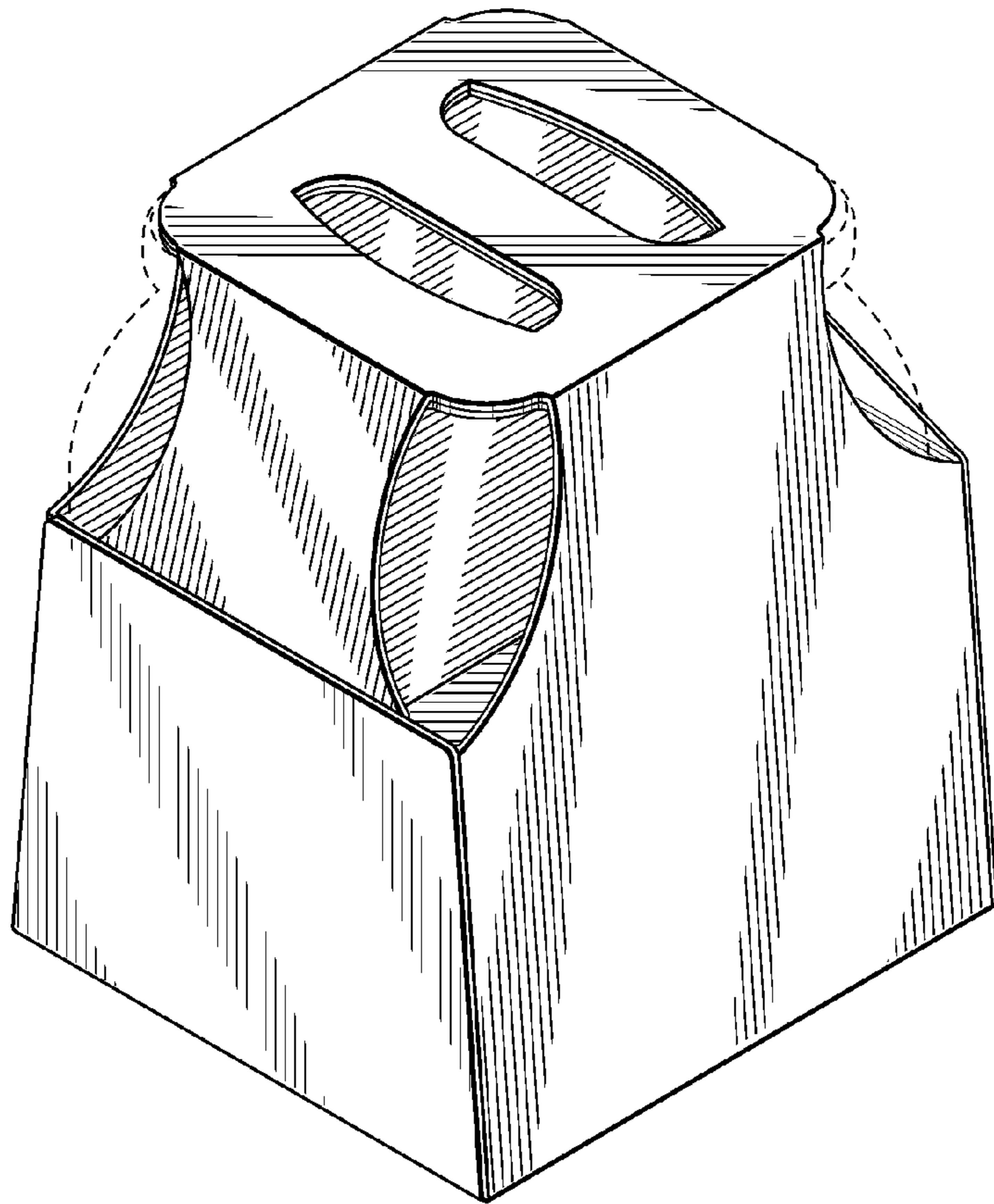


FIG. 10

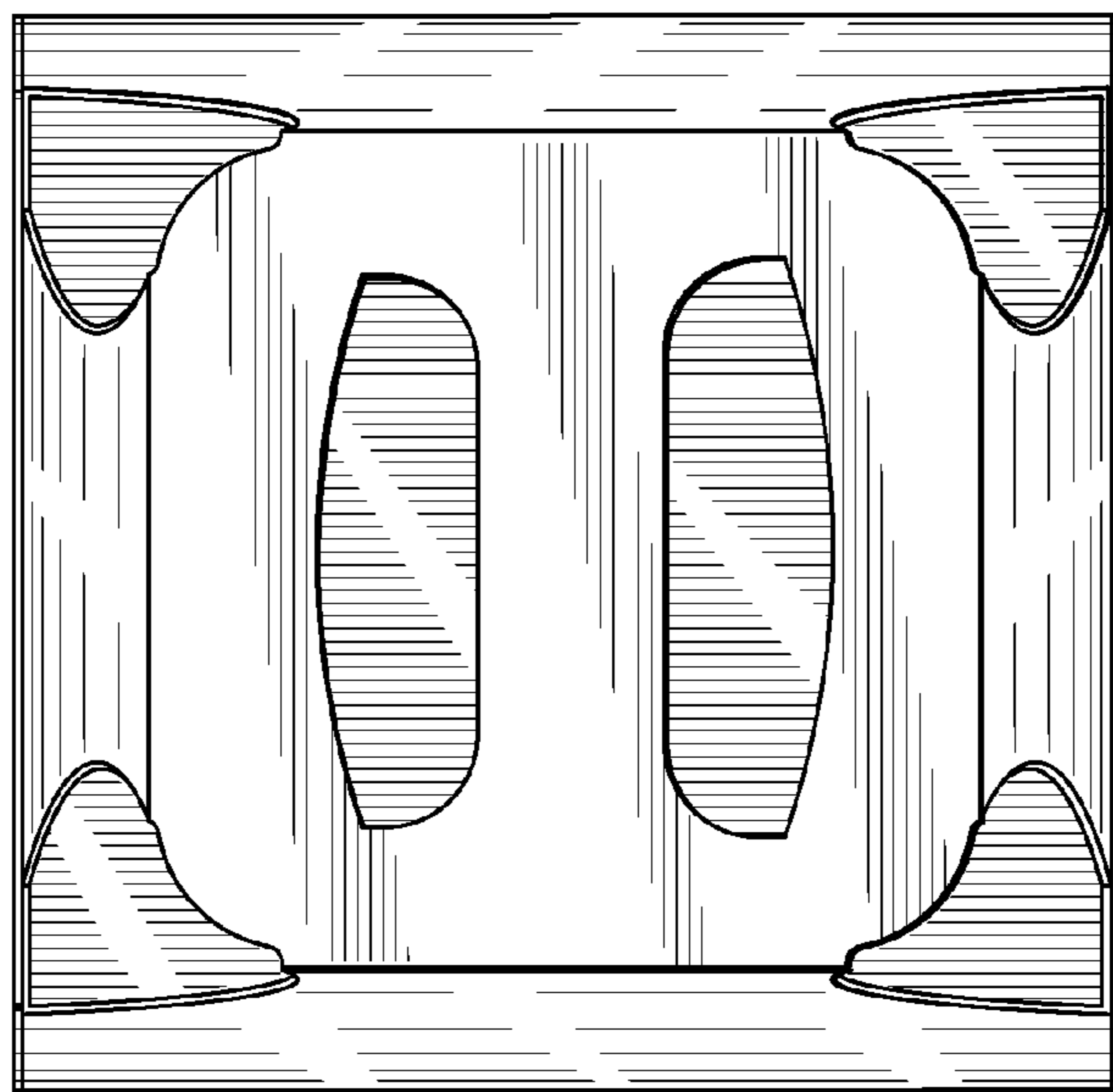


FIG. 11

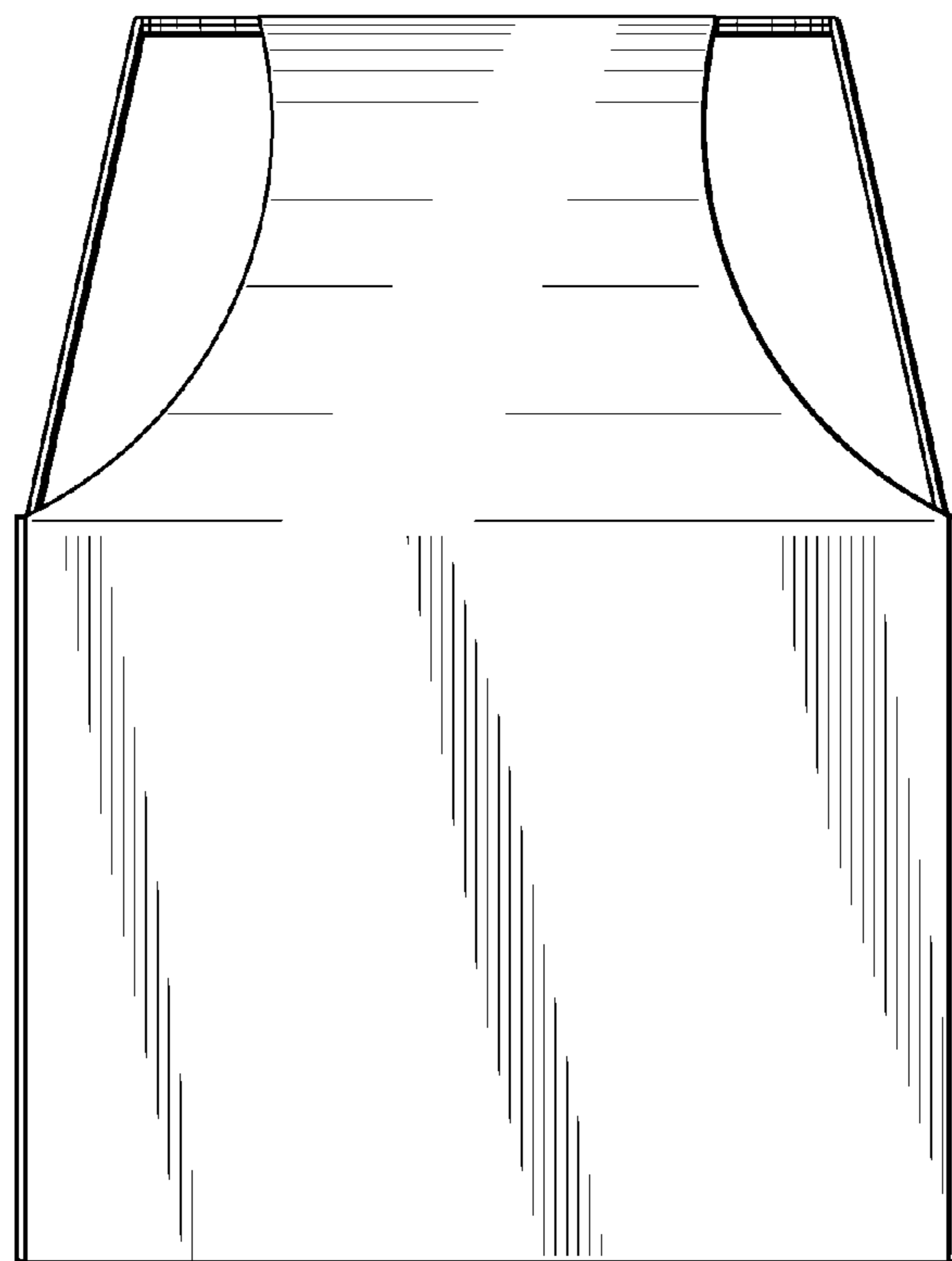


FIG. 12

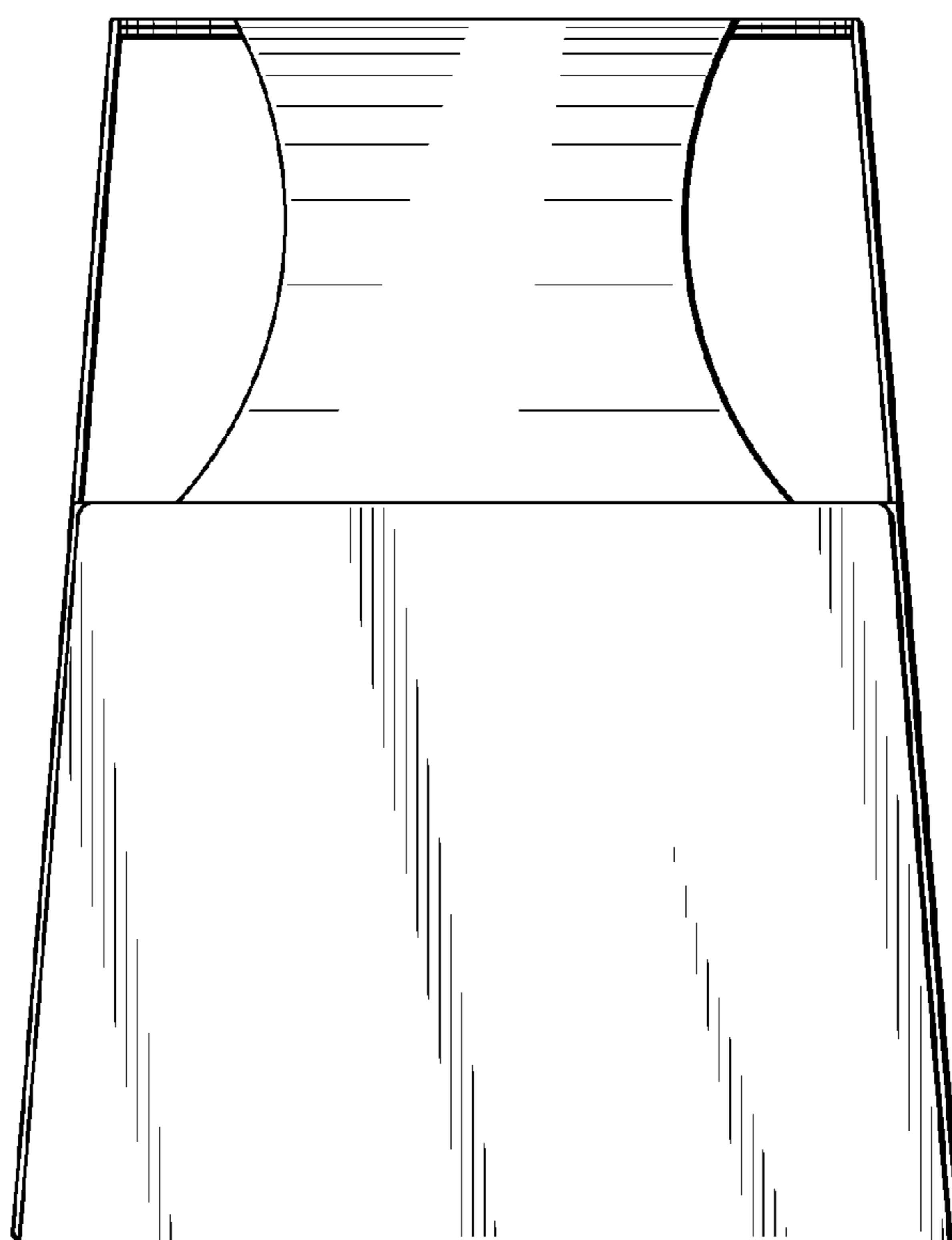


FIG. 13

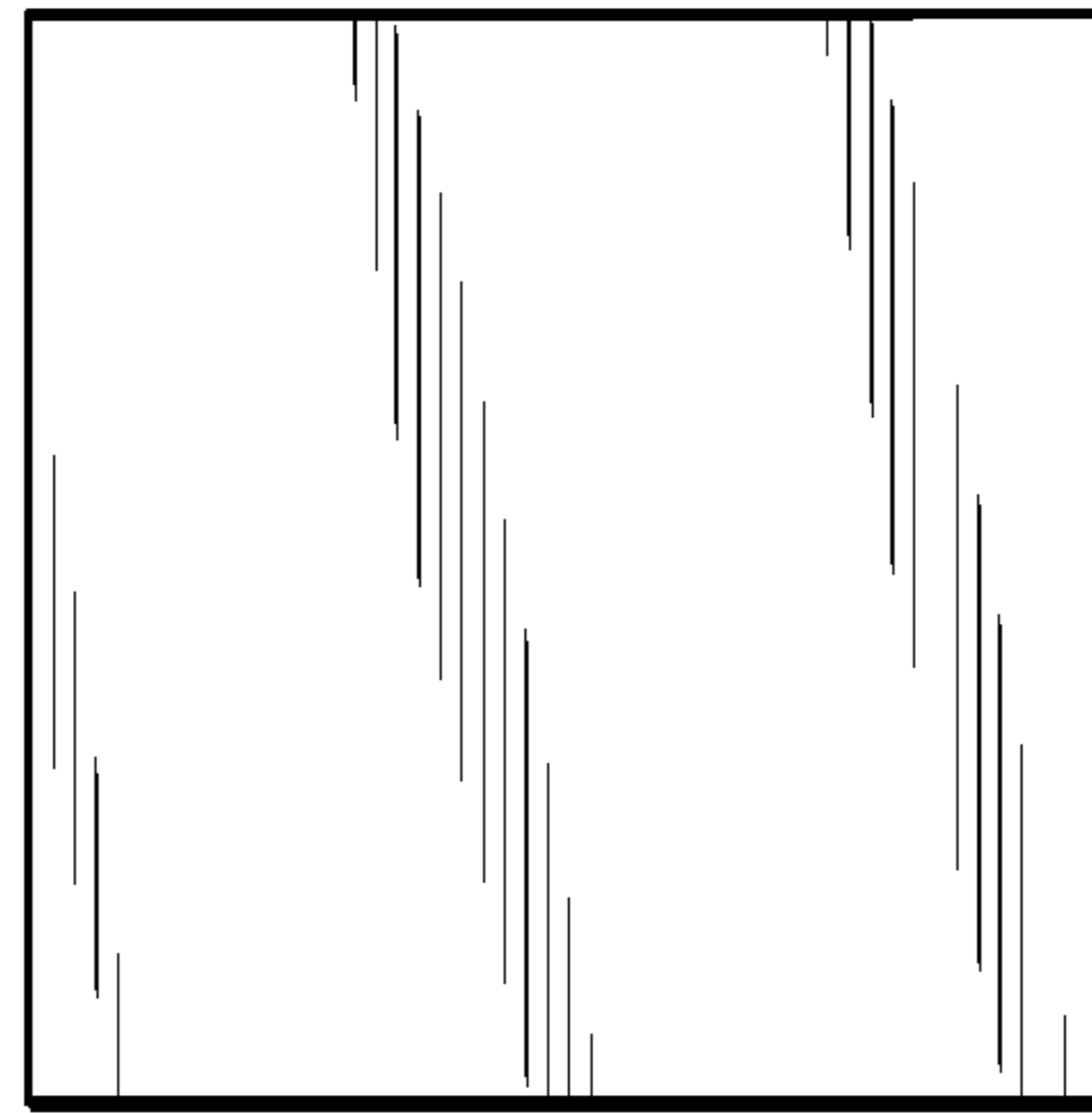


FIG. 14

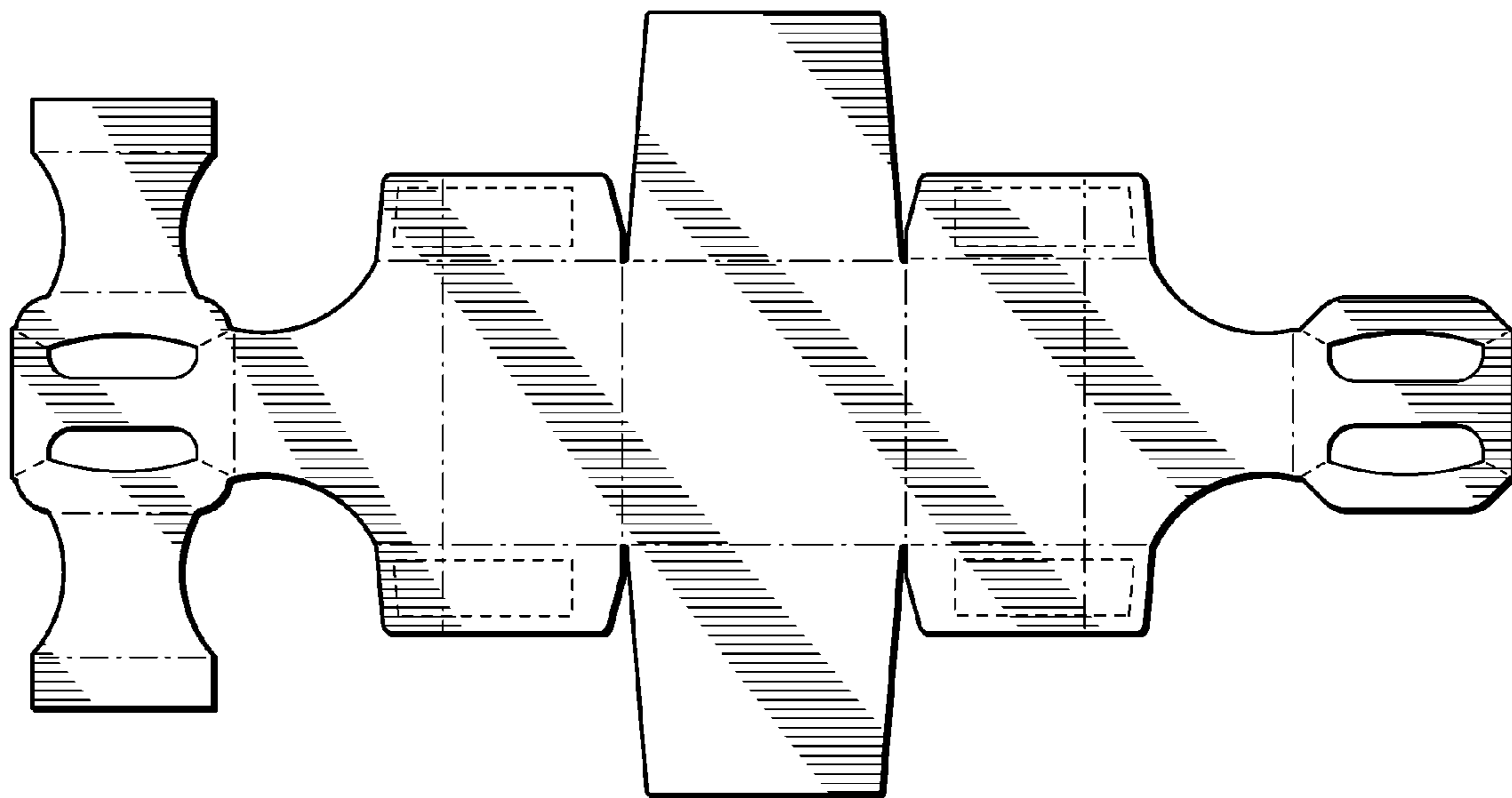


FIG. 15



FIG. 16



FIG. 17



FIG. 18