



US00D620350S

(12) **United States Design Patent**
Hernandez

(10) **Patent No.:** **US D620,350 S**
(45) **Date of Patent:** **** Jul. 27, 2010**

(54) **FOOD CONTAINER**

(75) Inventor: **Jose Antonio Rodriguez Hernandez,**
Mexico City (MX)

(73) Assignees: **Pak International, Inc.,** Auburn, WA
(US); **Nutrigo Sa De CV,** Auburn, WA
(US); **Pak West Paper & Packaging,**
Auburn, WA (US)

(**) Term: **14 Years**

(21) Appl. No.: **29/350,781**

(22) Filed: **Nov. 23, 2009**

(51) **LOC (9) Cl.** **09-03**

(52) **U.S. Cl.** **D9/425; D9/429**

(58) **Field of Classification Search** D9/414-415,
D9/418-419, 423-431, 730, 756-757; D7/605,
D7/709; D3/272-273, 276, 294, 302, 312;
220/4.21-4.23, 266, 526, 574, 780, DIG. 12;
206/351, 409, 411, 445, 470, 503-504, 509,
206/525, 562; 221/191; 229/406

See application file for complete search history.

(56) **References Cited**

U.S. PATENT DOCUMENTS

3,128,030	A *	4/1964	Davies	229/406
D201,579	S *	7/1965	Weiss	D9/415
D204,323	S *	4/1966	Bostrom	D9/757
D204,505	S *	4/1966	Bostrom	D9/757
3,288,278	A *	11/1966	Rich et al.	426/106
3,322,267	A *	5/1967	Weiss	206/504
3,372,812	A *	3/1968	Parcels	211/59.4
3,740,238	A *	6/1973	Graham	426/124
D276,590	S *	12/1984	Lobel	D9/730
4,512,474	A	4/1985	Harding		
4,576,330	A	3/1986	Schepp		
D283,789	S *	5/1986	Kodousek et al.	D9/419
D303,354	S *	9/1989	Catacchio	D9/419

5,046,659	A	9/1991	Warburton		
5,145,068	A	9/1992	Schmitz et al.		
5,232,094	A *	8/1993	Fagnant et al.	206/445
5,515,993	A	5/1996	McManus		
5,758,791	A	6/1998	Mangla		
D398,227	S *	9/1998	Orkisz	D9/423
D398,525	S *	9/1998	Orkisz	D9/424
5,860,530	A	1/1999	Simmons et al.		
5,950,959	A *	9/1999	Milliorn	242/588.3
5,979,687	A	11/1999	Hayes et al.		

(Continued)

Primary Examiner—Rosemary K Tarca
Assistant Examiner—Susan E Krakower
(74) *Attorney, Agent, or Firm*—Barnes & Thornburg LLP

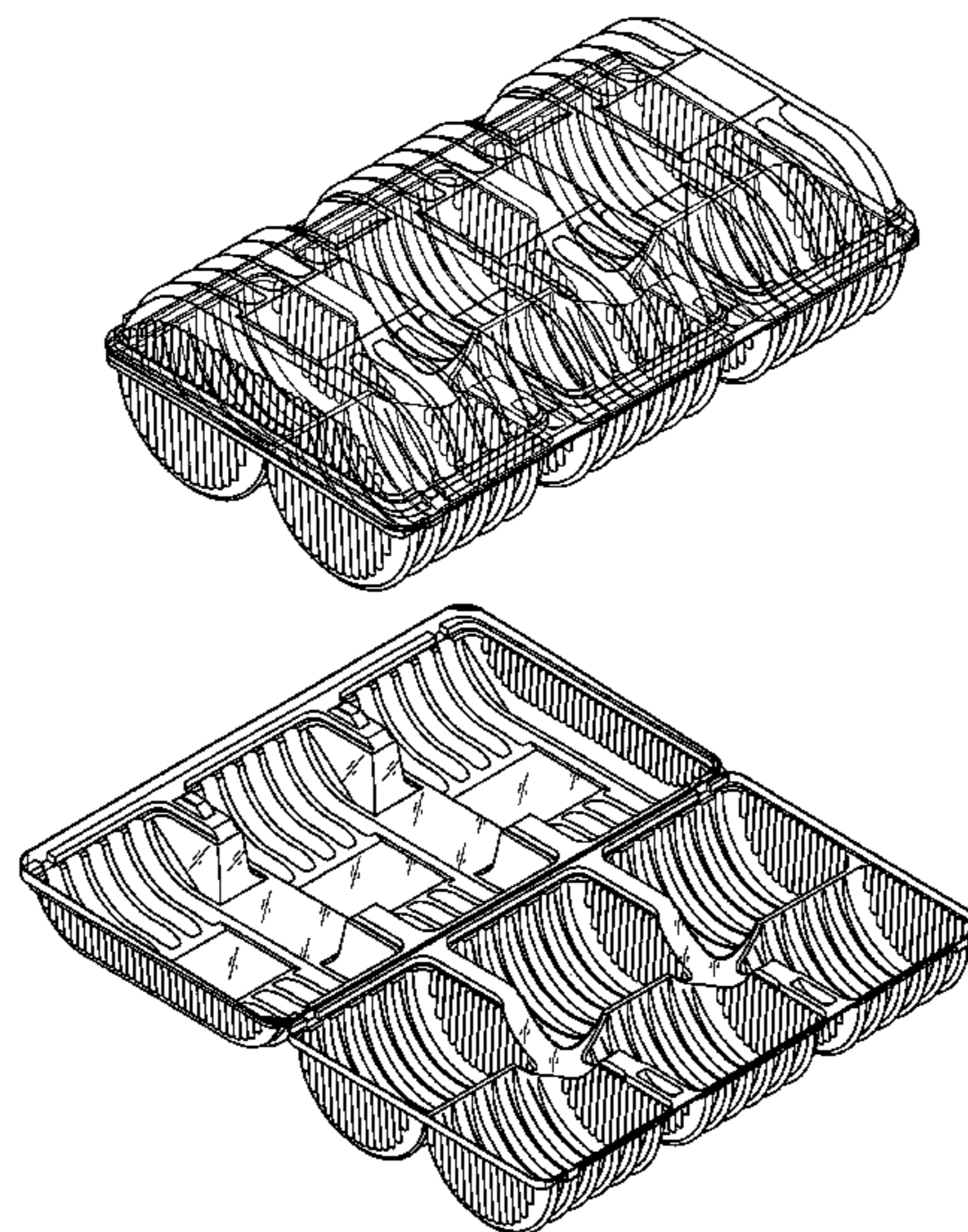
(57) **CLAIM**

The ornamental design for a food container, as shown and described.

DESCRIPTION

FIG. 1 is a top perspective view of the food container, the food container being shown in a closed configuration;
FIG. 2 is a top perspective view of the food container, the food container being shown in an open configuration;
FIG. 3 is a top plan view of the food container;
FIG. 4 is a bottom plan view of the food container;
FIG. 5 is a front elevation view of the food container;
FIG. 6 is a rear elevation view of the food container;
FIG. 7 is a left side elevation view of the food container; and,
FIG. 8 is a right side elevation view of the food container.

1 Claim, 6 Drawing Sheets



US D620,350 S

Page 2

U.S. PATENT DOCUMENTS

6,056,138	A	5/2000	Chen	6,644,494	B2	11/2003	Hayes et al.
6,085,930	A	7/2000	Curtis	D490,309	S	5/2004	Hayes et al.
D433,334	S	11/2000	Hayes et al.	6,845,878	B2	1/2005	Hayes et al.
D439,159	S	3/2001	Chen	6,846,533	B2	1/2005	Wu et al.
D444,382	S	7/2001	Hayes et al.	6,884,450	B2	4/2005	Wu et al.
6,257,401	B1	7/2001	Mangla et al.	6,886,704	B2	5/2005	Hayes et al.
D451,018	S	11/2001	Chen et al.	6,893,694	B2	5/2005	Wu et al.
6,349,847	B1	2/2002	Mangla et al.	7,124,910	B2	10/2006	Nordland
D458,538	S	6/2002	Hayes et al.	D531,501	S	11/2006	Gomoll et al.
D461,123	S	8/2002	Hayes et al.	D531,502	S	11/2006	Gomoll et al.
D467,496	S	12/2002	Hayes et al.	D588,934	S	3/2009	Bailey et al. D9/756
6,561,374	B2	5/2003	Longstreth	D589,429	S	3/2009	Harrison D12/316
D478,282	S	8/2003	Hayes et al.	2005/0189350	A1	9/2005	Hayes et al.
6,619,501	B2	9/2003	Hayes et al.	2005/0247708	A1	11/2005	Golden

* cited by examiner

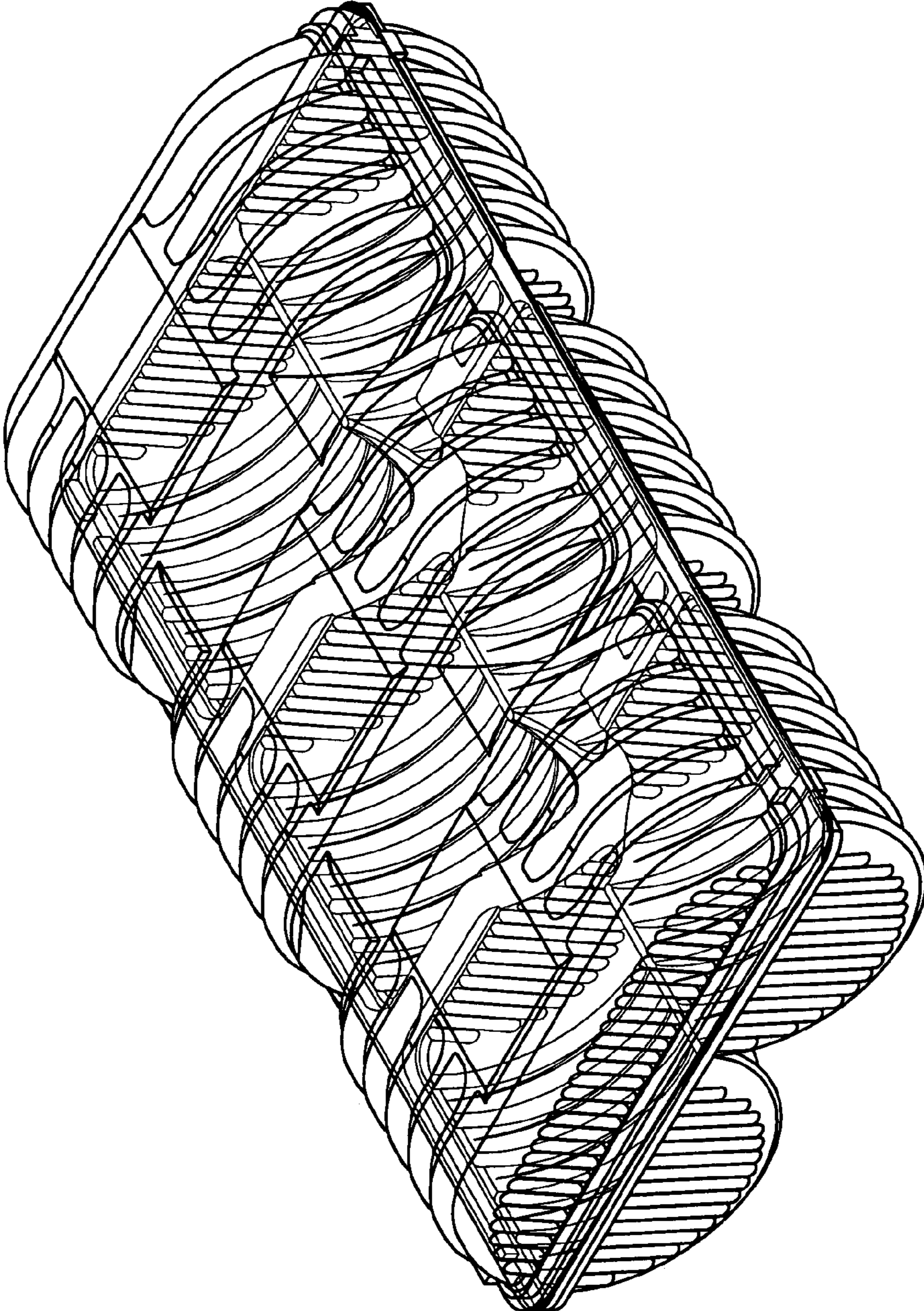


Fig.1

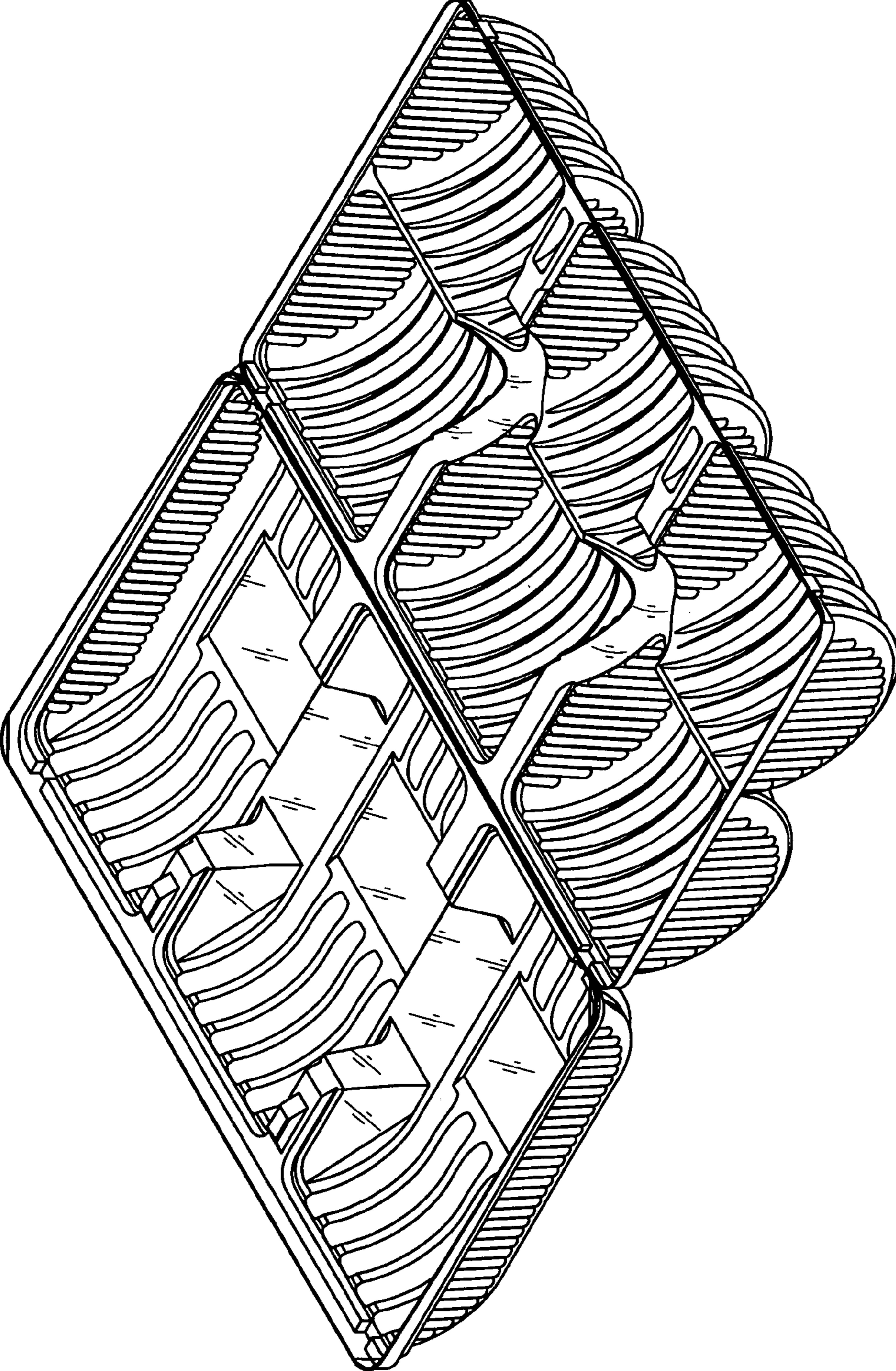


Fig.2

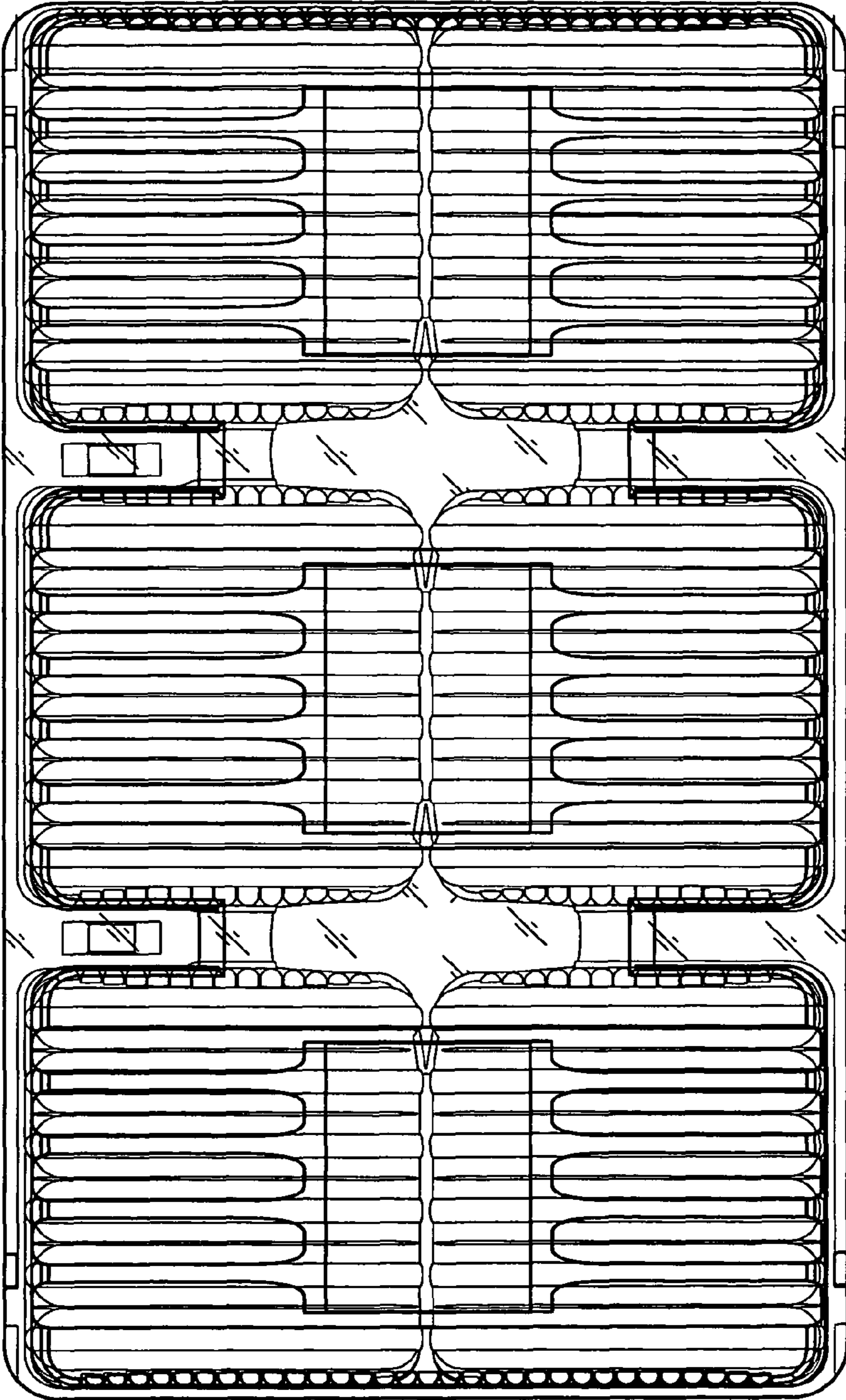


Fig.3

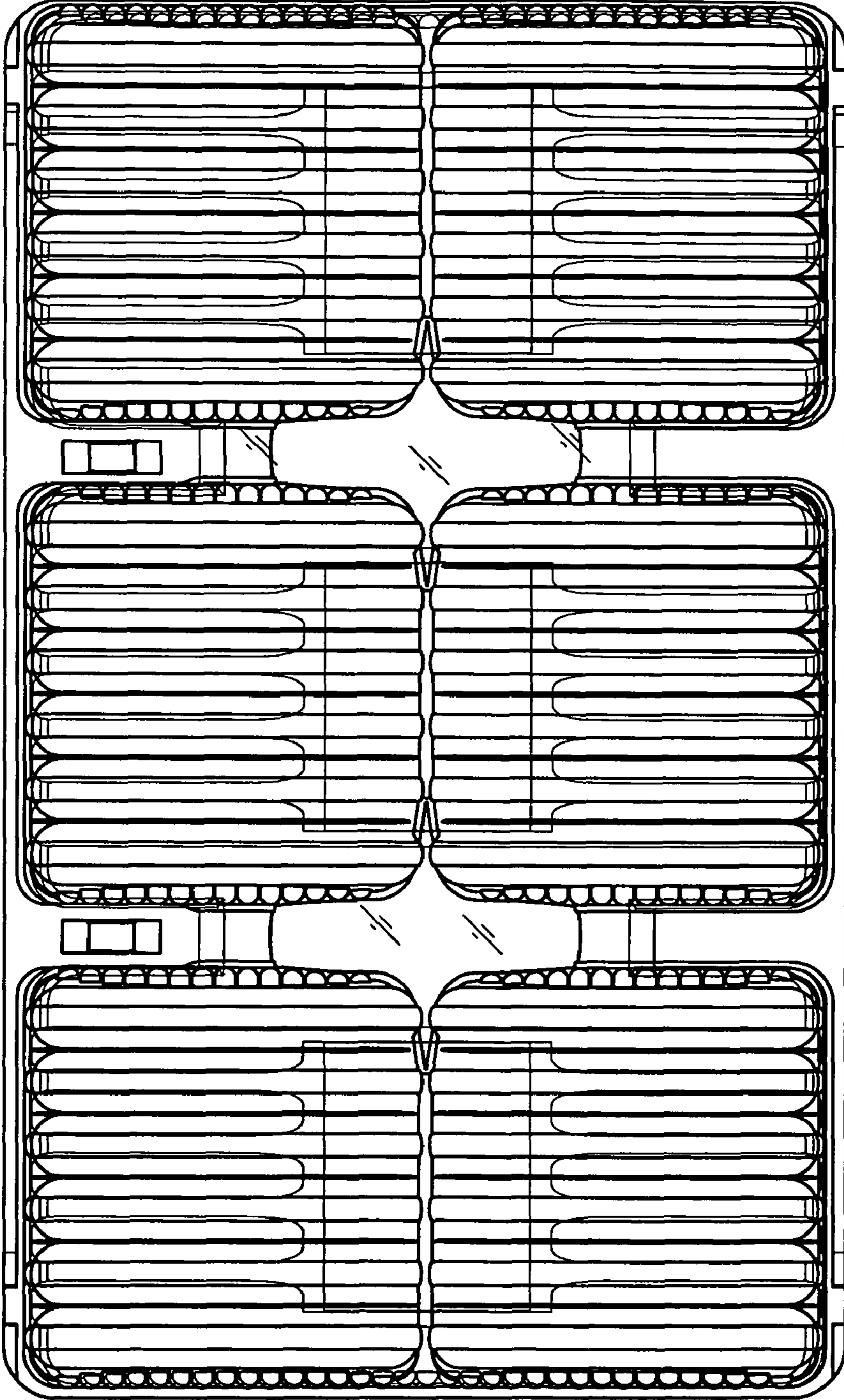


Fig.4

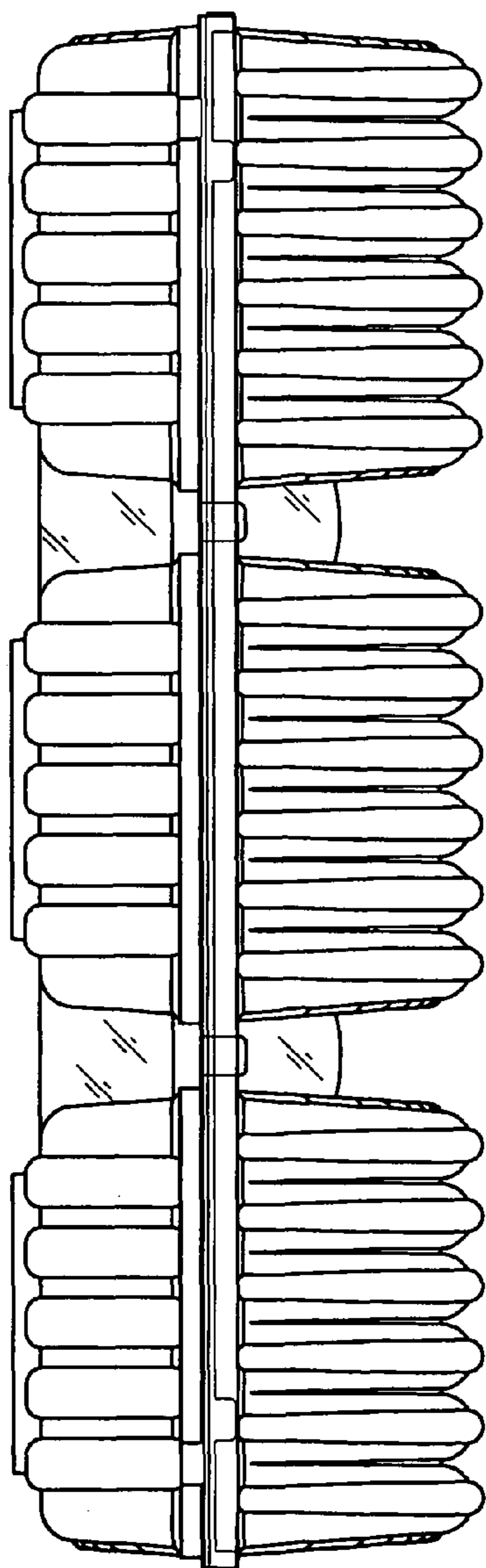


Fig. 5

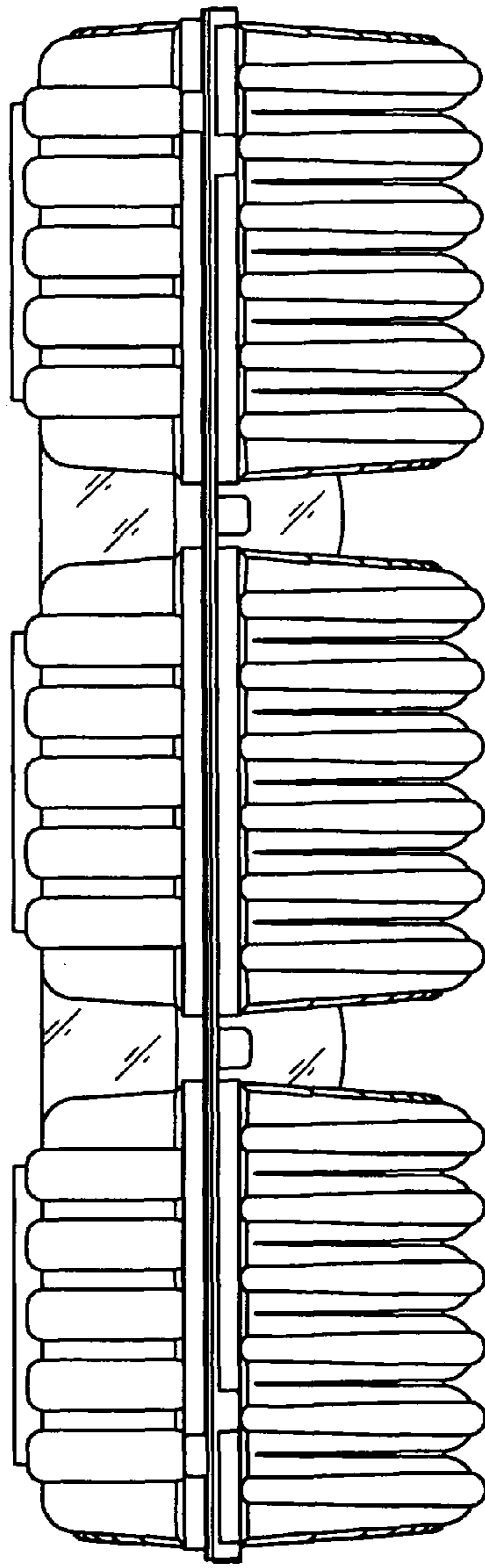


Fig. 6

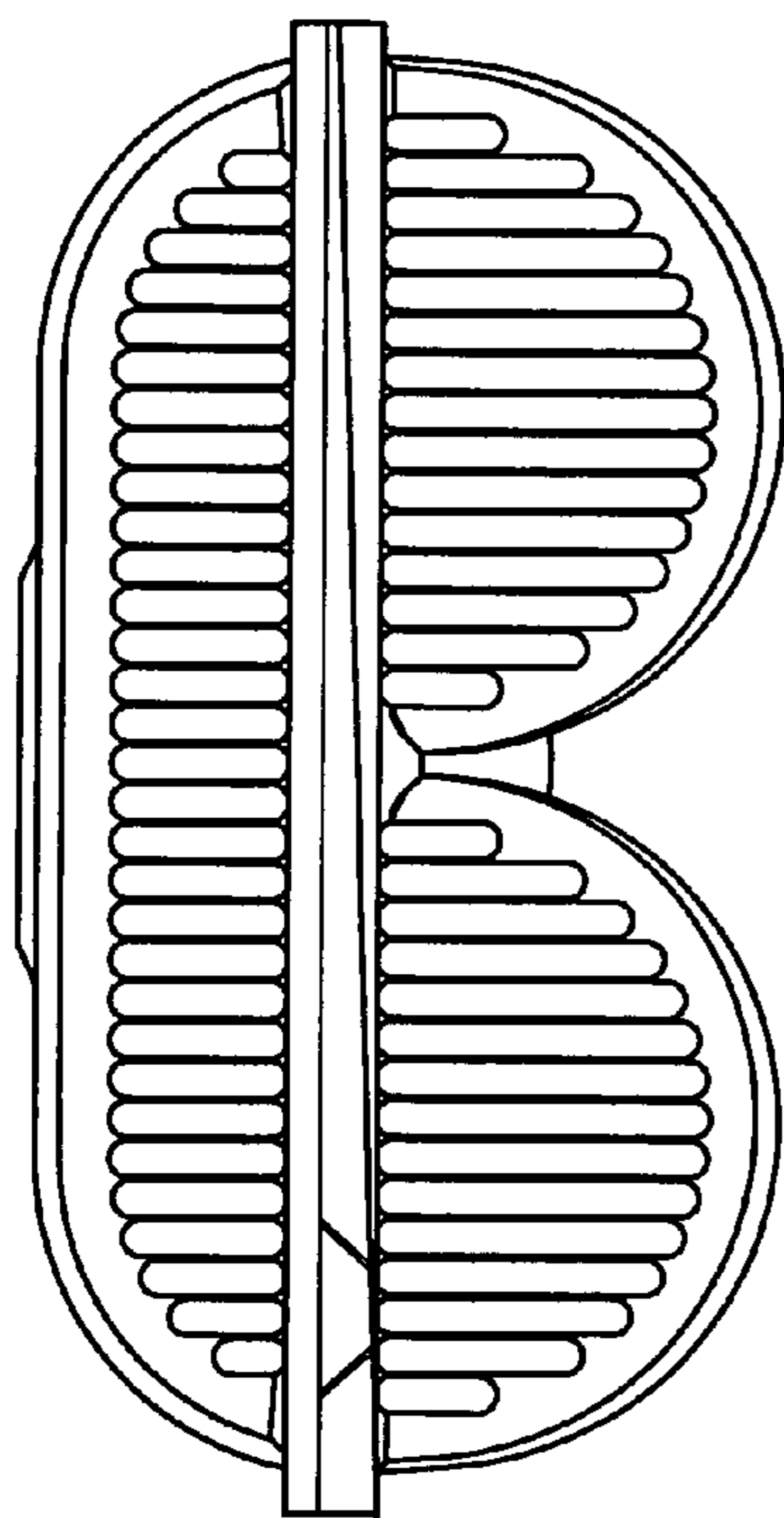


Fig.7

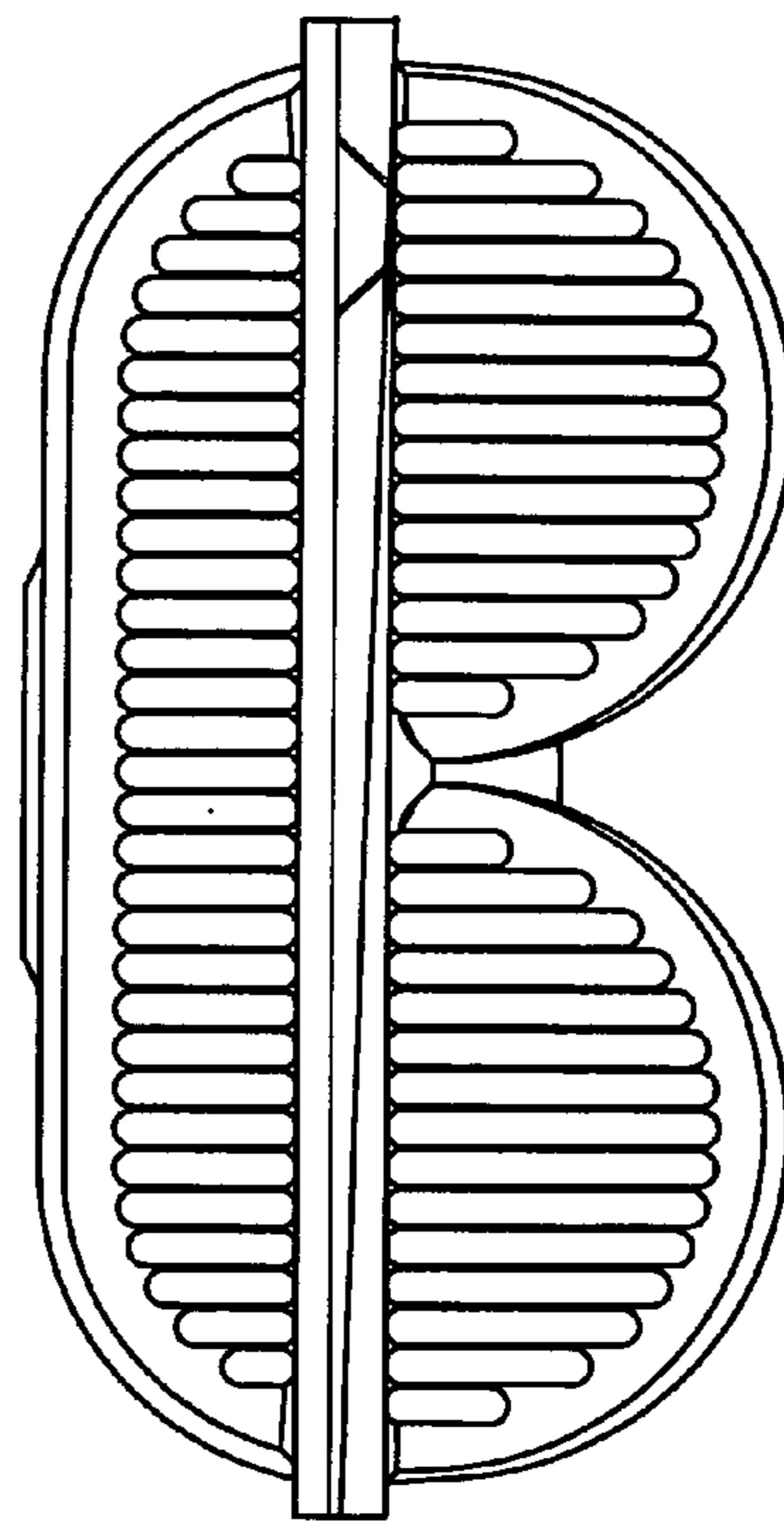


Fig.8