



US00D620348S

(12) **United States Design Patent**
Leung

(10) **Patent No.:** **US D620,348 S**

(45) **Date of Patent:** **** Jul. 27, 2010**

(54) **DOORSTOP**

(76) Inventor: **Mason Hee Kwong Leung**, 9557
Workman Ave., Temple City, CA (US)
91780

(**) Term: **14 Years**

(21) Appl. No.: **29/359,837**

(22) Filed: **Apr. 15, 2010**

(51) **LOC (9) Cl.** **08-09**

(52) **U.S. Cl.** **D8/402**

(58) **Field of Classification Search** D8/400-499;
16/86 B, 85, 137, 342, 375
See application file for complete search history.

(56) **References Cited**

U.S. PATENT DOCUMENTS

D28,358 S	*	3/1898	Gays	D8/499
D32,109 S	*	1/1900	Russell	D8/402
D33,425 S	*	10/1900	Eicholtz	D8/402
D35,240 S	*	10/1901	Stickle	D8/402
D323,976 S	*	2/1992	Barnes	D8/402
D367,814 S	*	3/1996	Zaleski	D8/499
D414,682 S	*	10/1999	Freeman	D8/402

2008/0307604	A1*	12/2008	Leung	16/82
2009/0139050	A1*	6/2009	Junkins	16/84
2009/0320237	A1*	12/2009	Kersting	16/82

* cited by examiner

Primary Examiner—Cathron C Brooks
Assistant Examiner—Barbara Fox
(74) *Attorney, Agent, or Firm*—Jen-Feng Lee

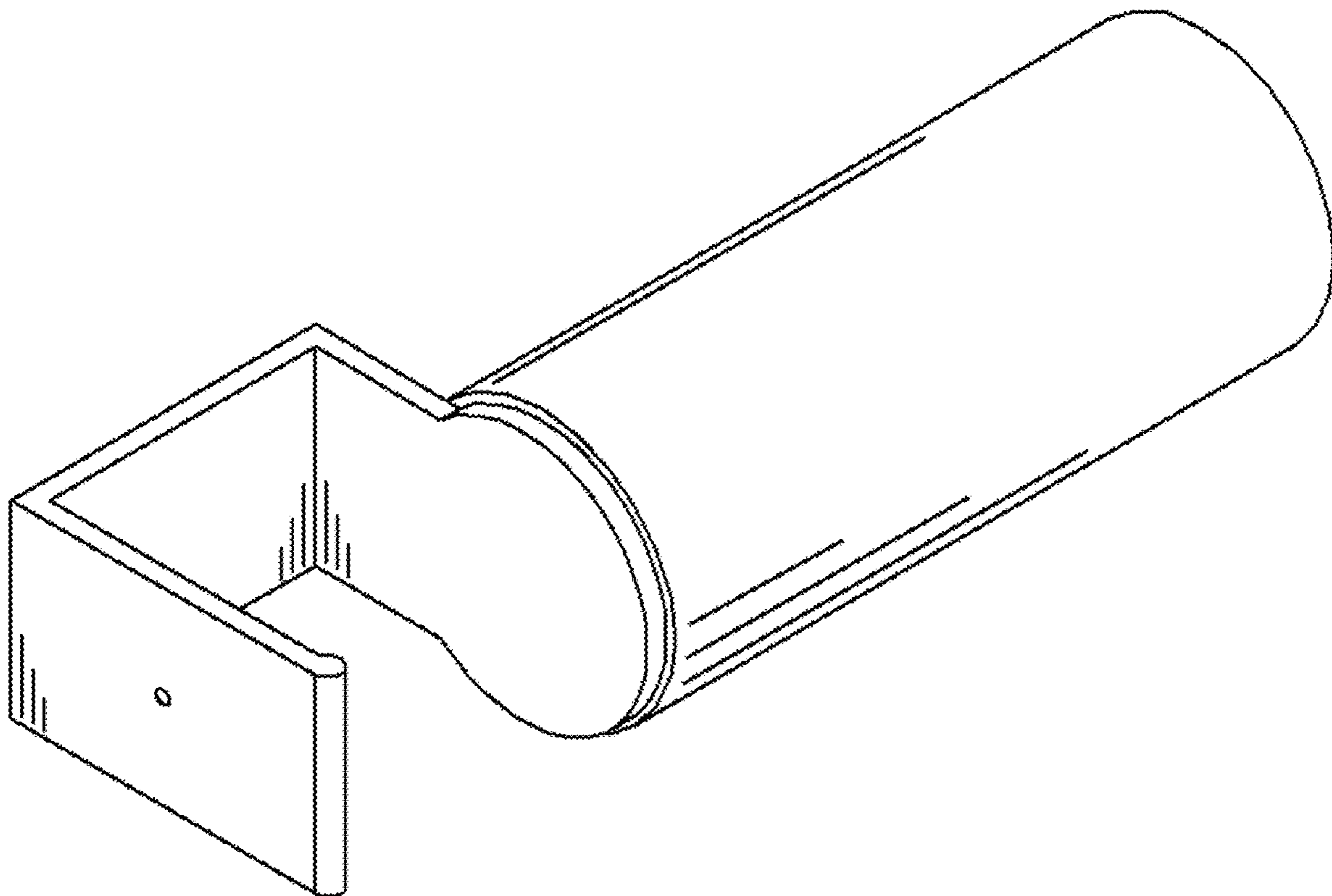
(57) **CLAIM**

I claim the ornamental design for a doorstop, as shown and described.

DESCRIPTION

FIG. 1 shows the perspective view of a doorstop showing my new design;
FIG. 2 shows the elevated front view thereof,
FIG. 3 shows the elevated back view thereof;
FIG. 4 shows the right side view thereof;
FIG. 5 shows the left side view thereof;
FIG. 6 shows the bottom view thereof; and,
FIG. 7 shows the top view thereof.

1 Claim, 3 Drawing Sheets



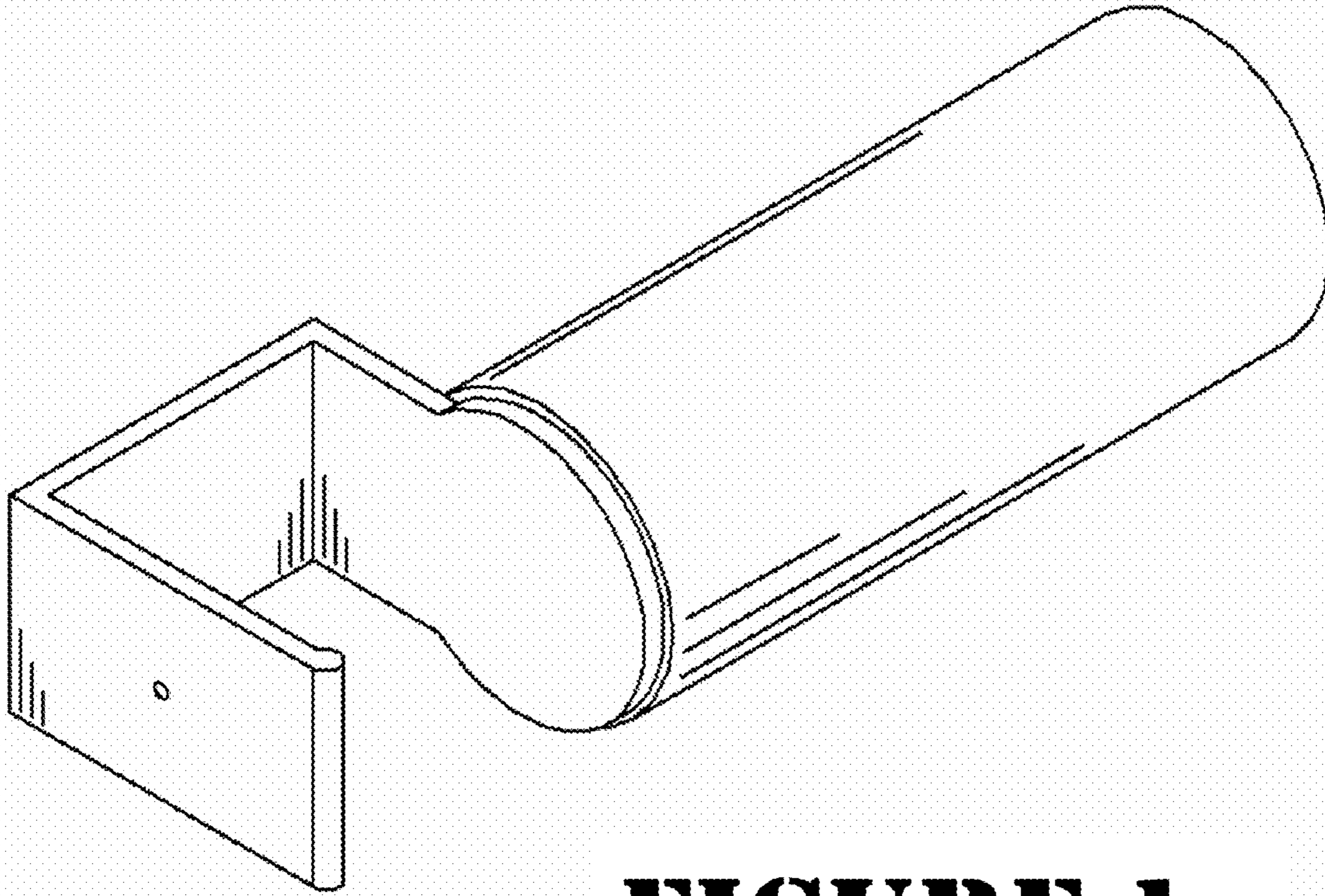


FIGURE 1

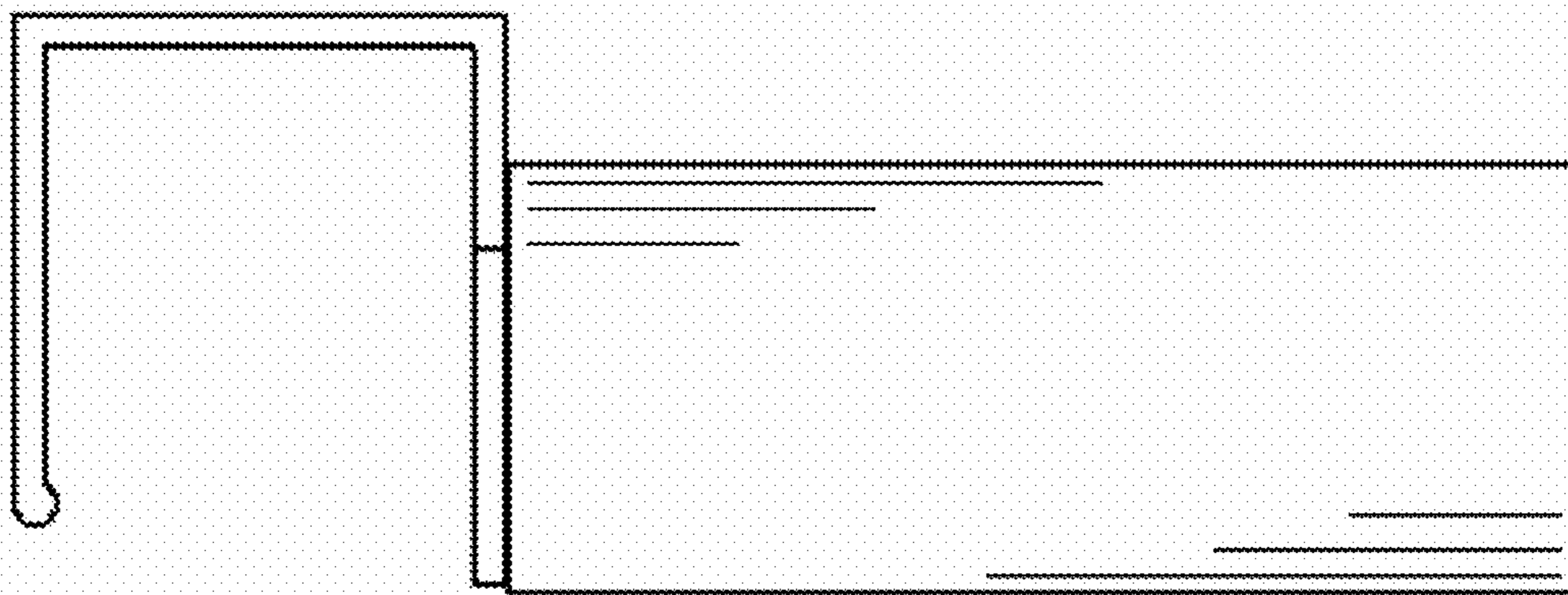


FIGURE 2

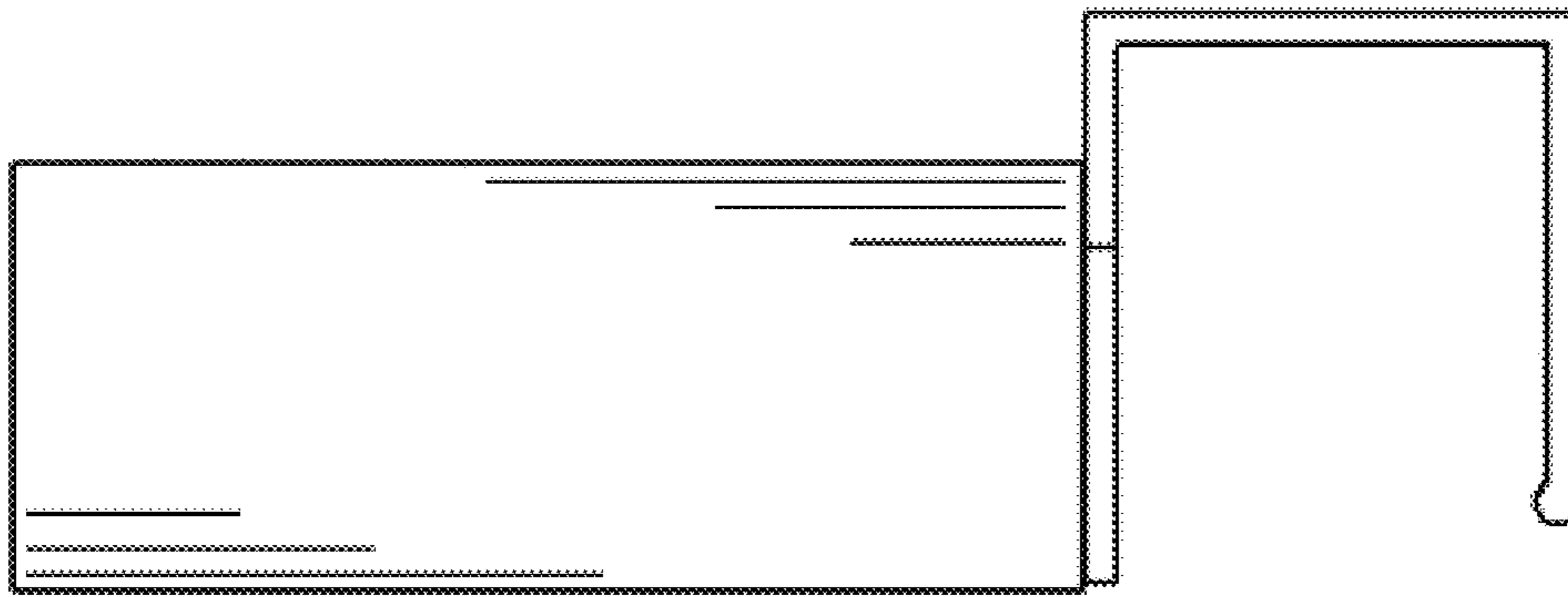


FIGURE 3

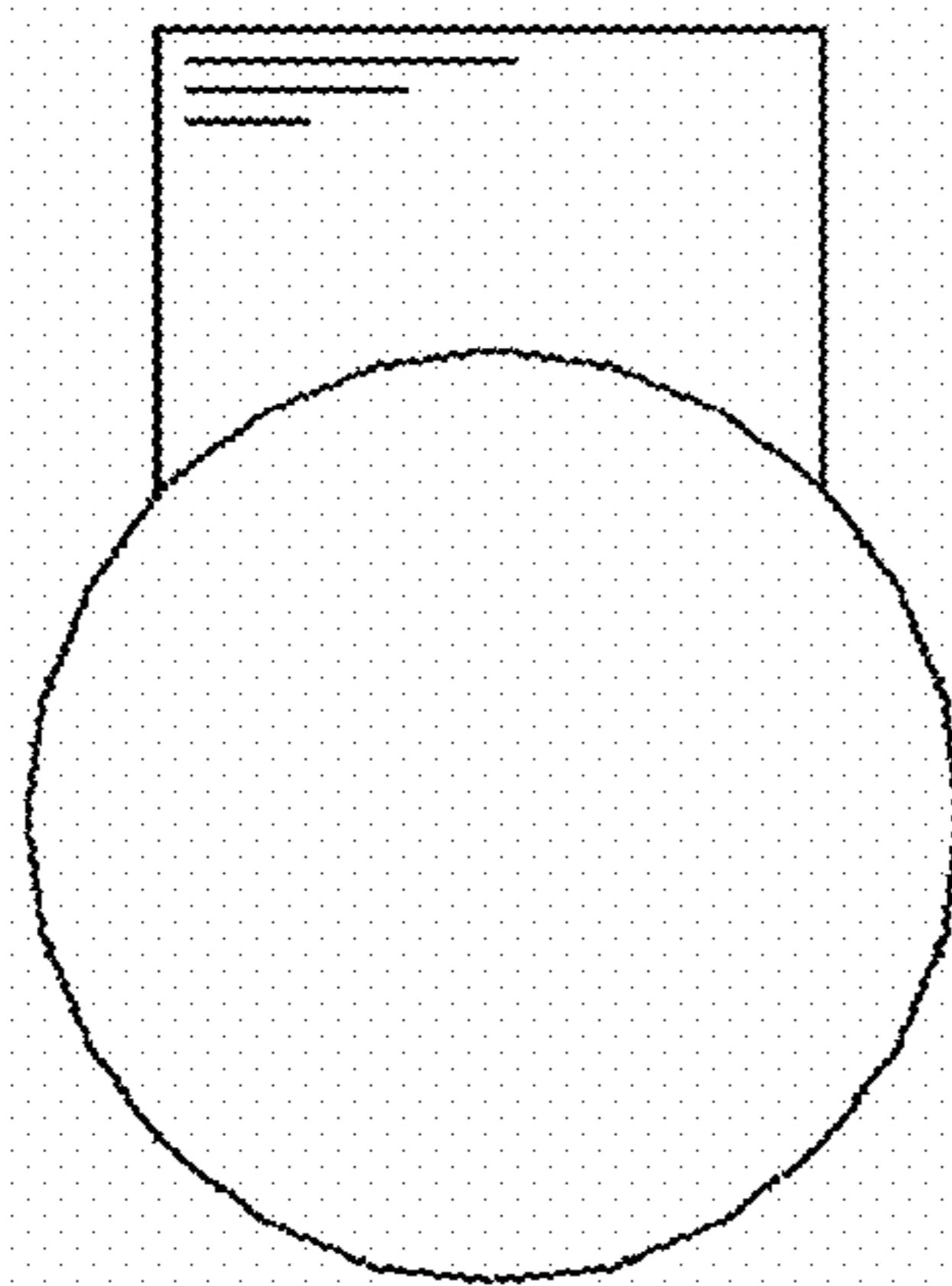


FIGURE 4

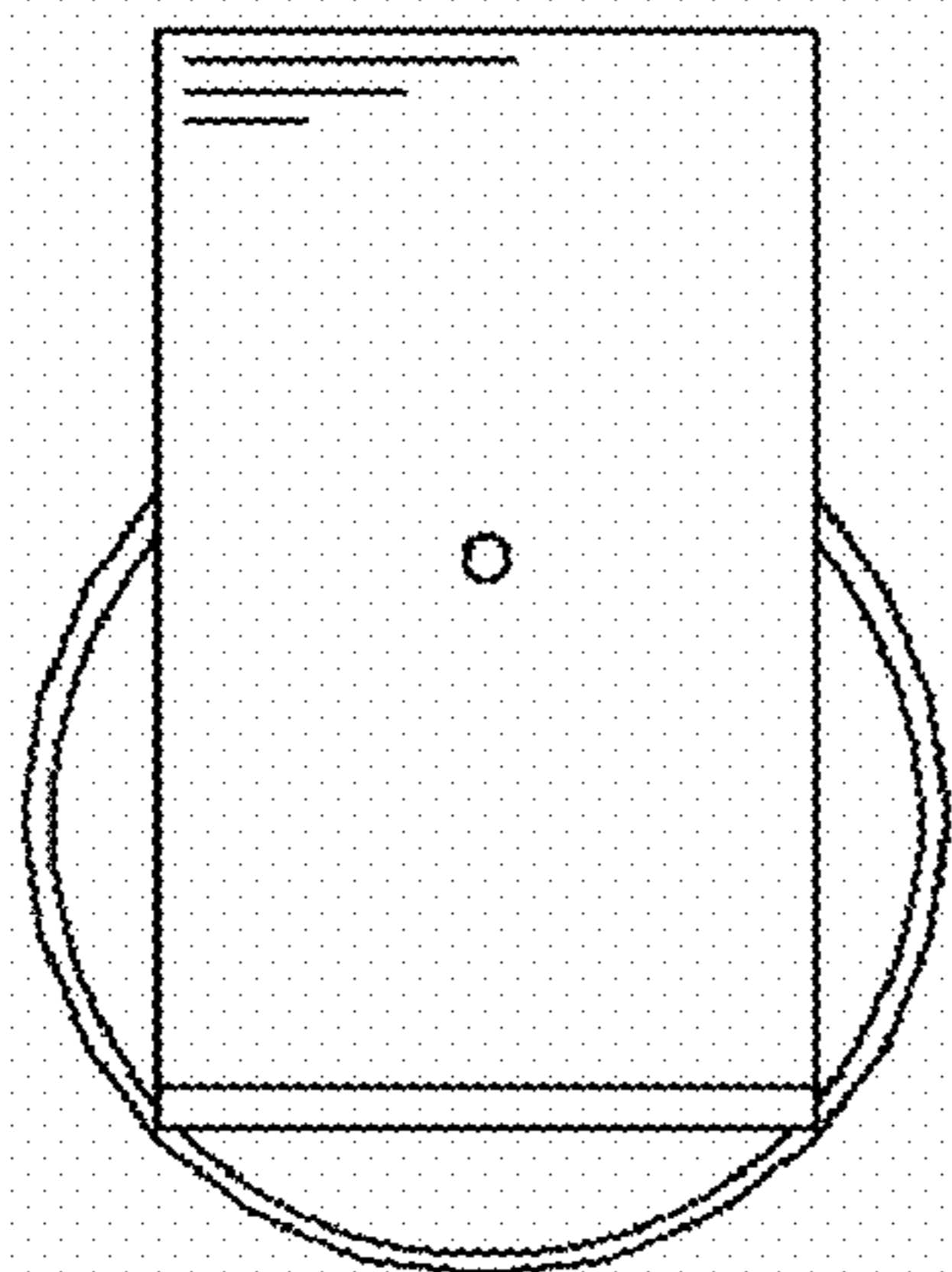


FIGURE 5

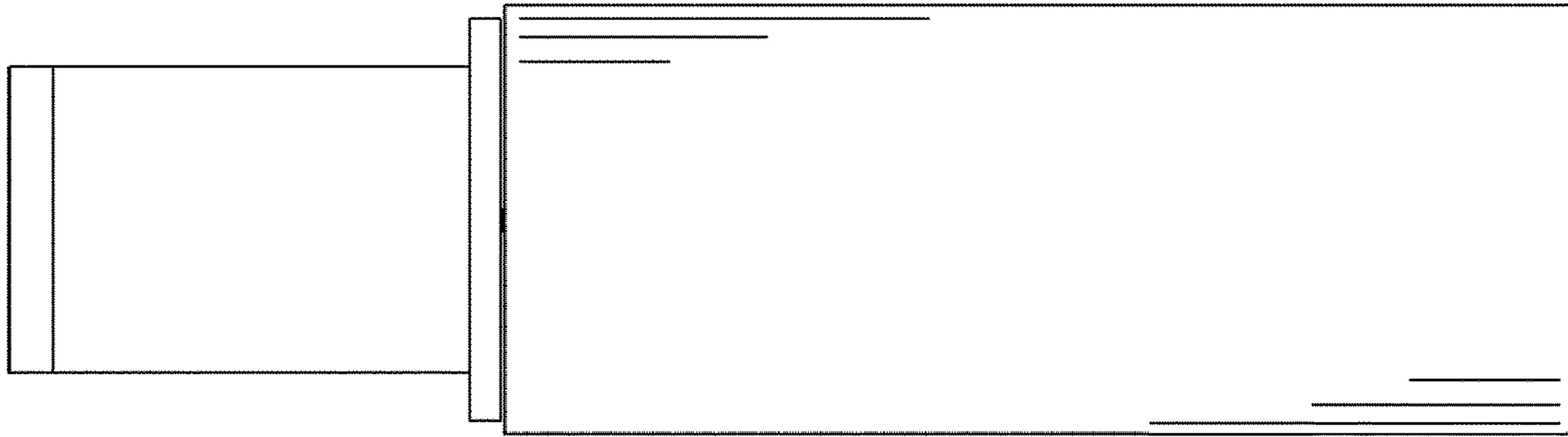


FIGURE 6

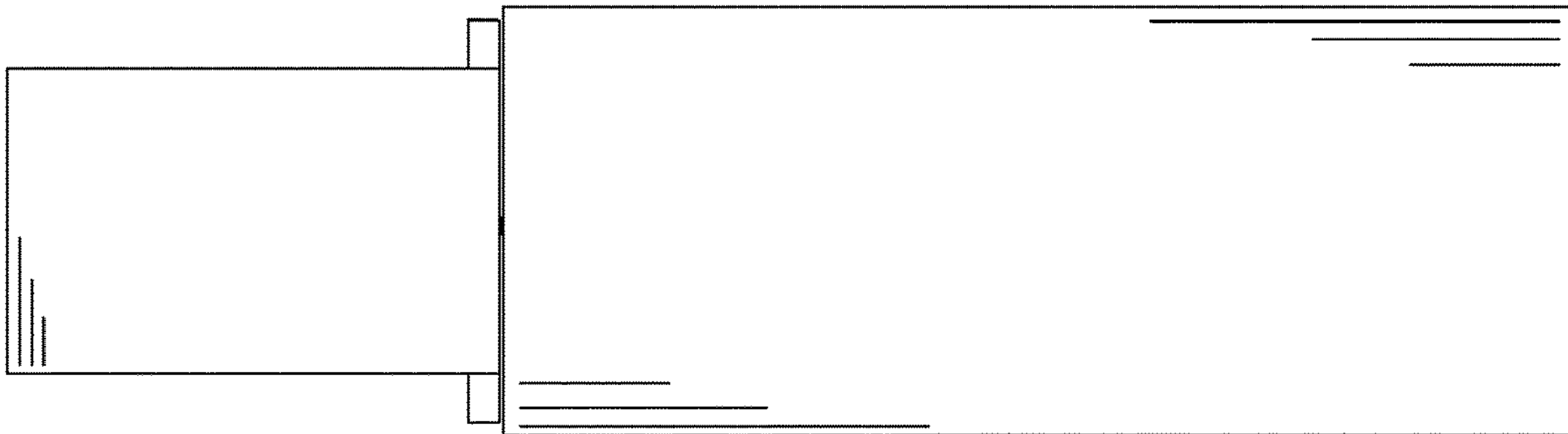


FIGURE 7