



US00D620346S

(12) **United States Design Patent**  
**Gretz**

(10) **Patent No.:** **US D620,346 S**  
(45) **Date of Patent:** **\*\* Jul. 27, 2010**

(54) **WIRE GRIPPER**

(75) Inventor: **Thomas J. Gretz**, Port St. Lucie, FL  
(US)

(73) Assignee: **Arlington Industries, Inc.**, Scranton, PA  
(US)

(\*\*) Term: **14 Years**

(21) Appl. No.: **29/348,408**

(22) Filed: **Dec. 30, 2009**

(51) **LOC (9) Cl.** ..... **08-08**

(52) **U.S. Cl.** ..... **D8/396**

(58) **Field of Classification Search** ..... D8/354-356,  
D8/373, 371, 376, 394-396, 382, 380, 349,  
D8/71-74; 248/49, 61, 62, 63, 74.1-74.4,  
248/73; 294/132; 174/40 R, 40 CC

See application file for complete search history.

(56) **References Cited**

**U.S. PATENT DOCUMENTS**

- 3,096,110 A \* 7/1963 Cantor ..... 403/385
- 3,860,351 A \* 1/1975 Weiss et al. .... 403/218
- 4,593,877 A \* 6/1986 van der Wyk ..... 248/512

- D289,852 S \* 5/1987 Tuvevson ..... D8/373
- D309,255 S \* 7/1990 Karow, Jr. .... D8/395
- D349,036 S \* 7/1994 Egigian ..... D8/349
- 5,733,139 A \* 3/1998 Bray et al. .... 439/402
- D400,428 S \* 11/1998 Sabounjian ..... D8/382
- D488,092 S \* 4/2004 Bruckler ..... D11/182
- D504,304 S \* 4/2005 Hancock ..... D8/354
- D522,348 S \* 6/2006 Hansen ..... D8/354
- D531,890 S \* 11/2006 Bentrim ..... D8/382
- 7,191,988 B2 \* 3/2007 Kim et al. .... 248/68.1
- D577,990 S \* 10/2008 Andre et al. .... D8/395
- D591,587 S \* 5/2009 Mason ..... D8/396

\* cited by examiner

*Primary Examiner*—Cathron C Brooks

*Assistant Examiner*—John Windmuller

(57) **CLAIM**

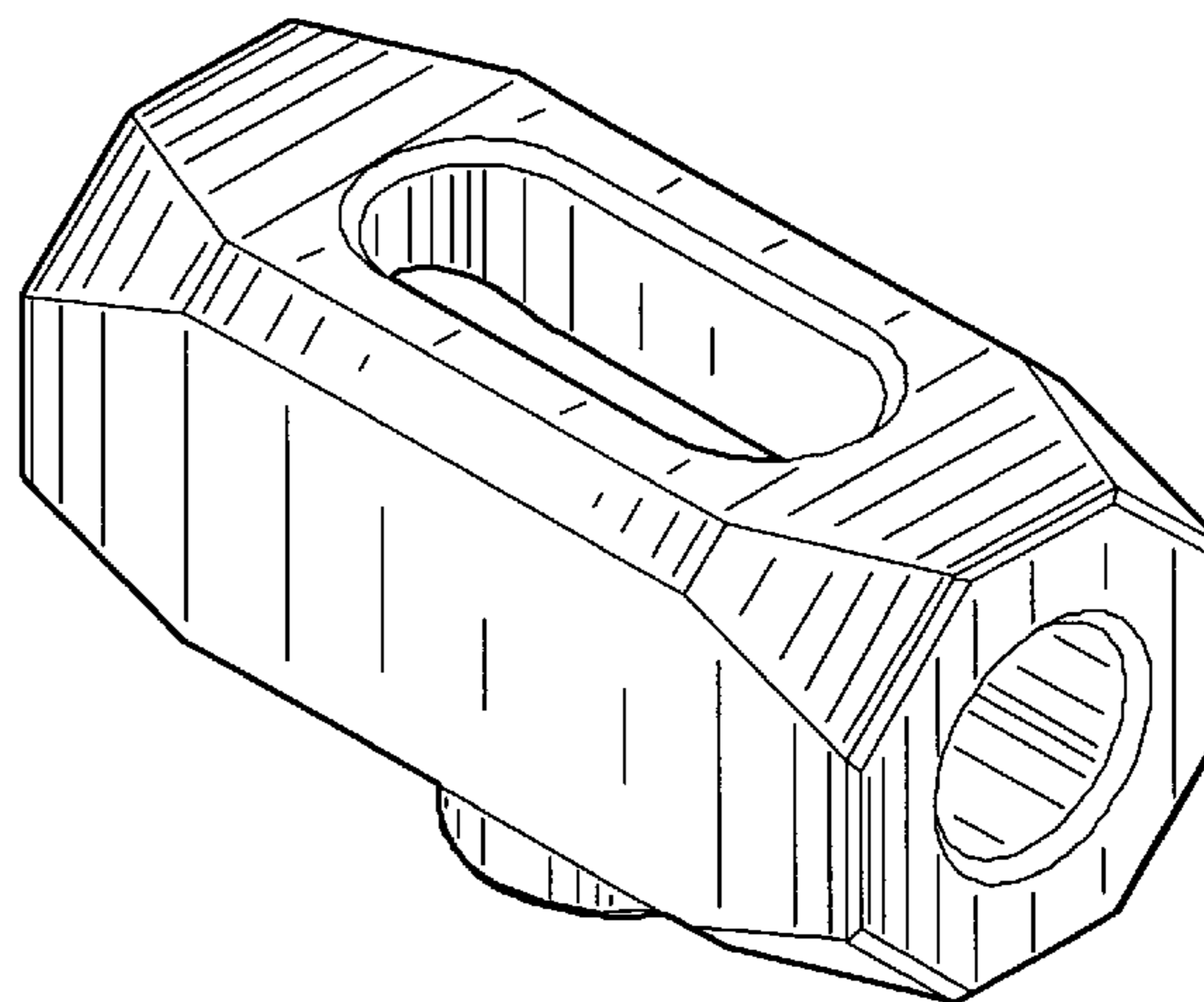
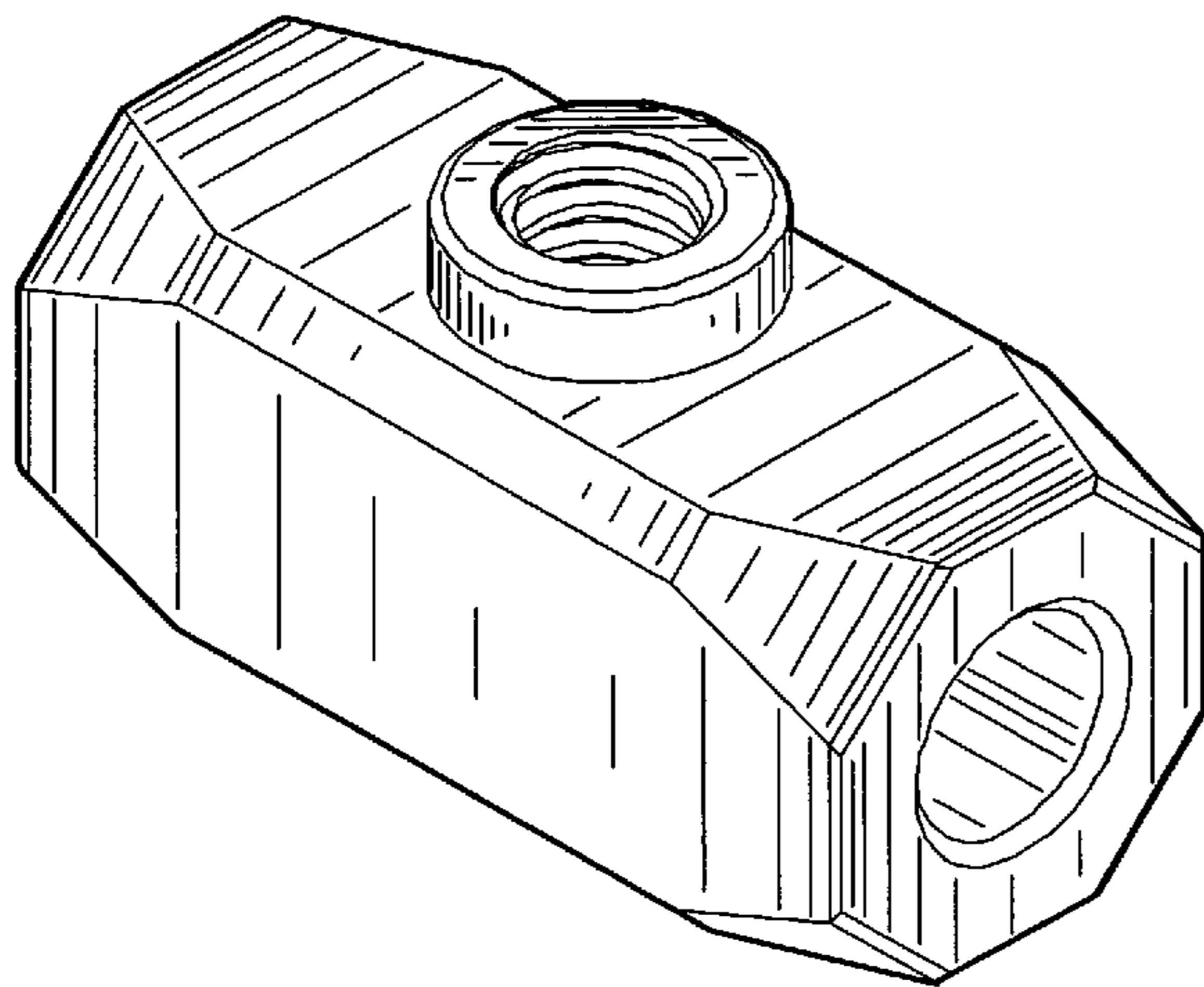
The ornamental design for a wire gripper, as shown and described.

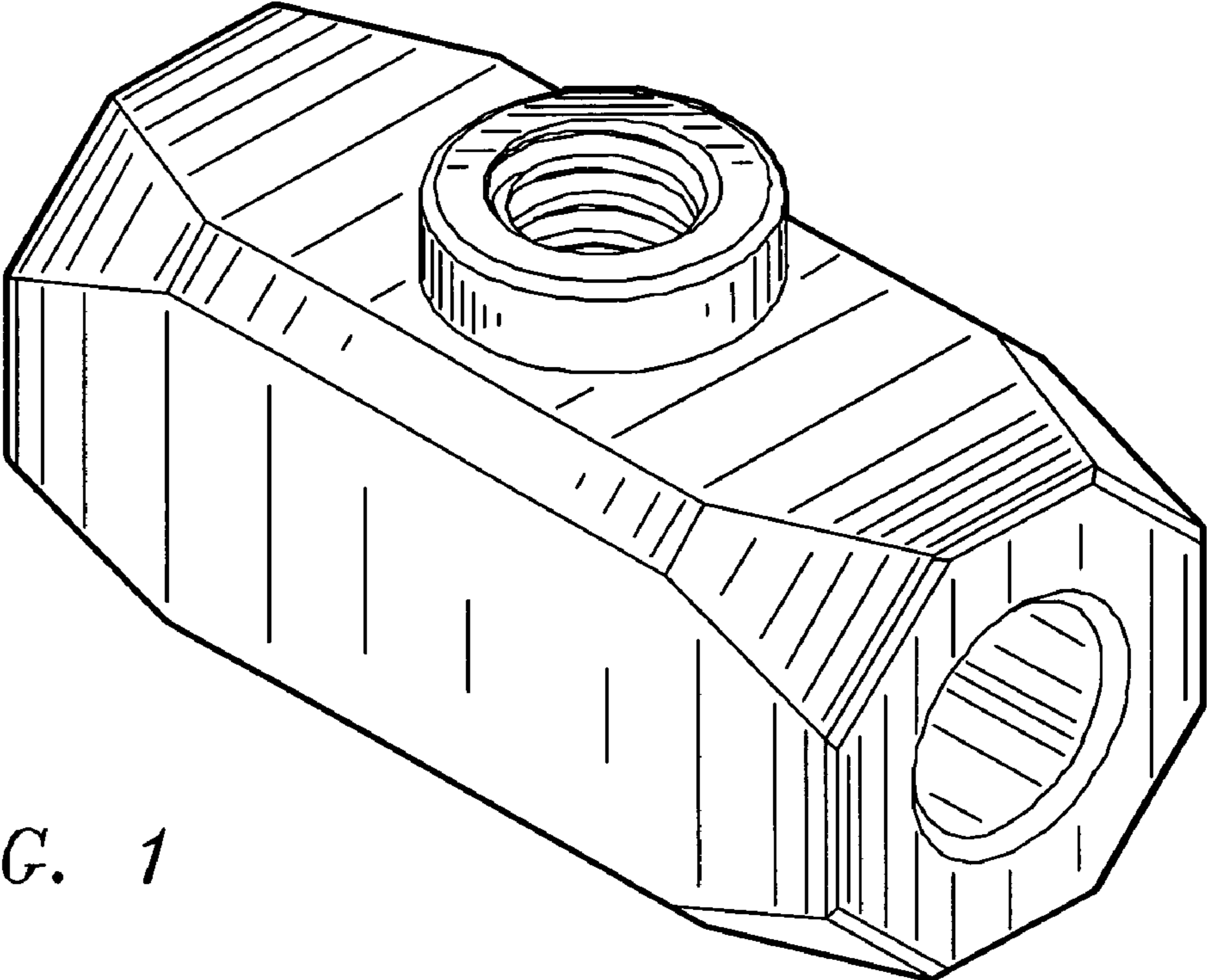
**DESCRIPTION**

FIG. 1 is a front, top perspective view of a wire gripper showing my new design; and,

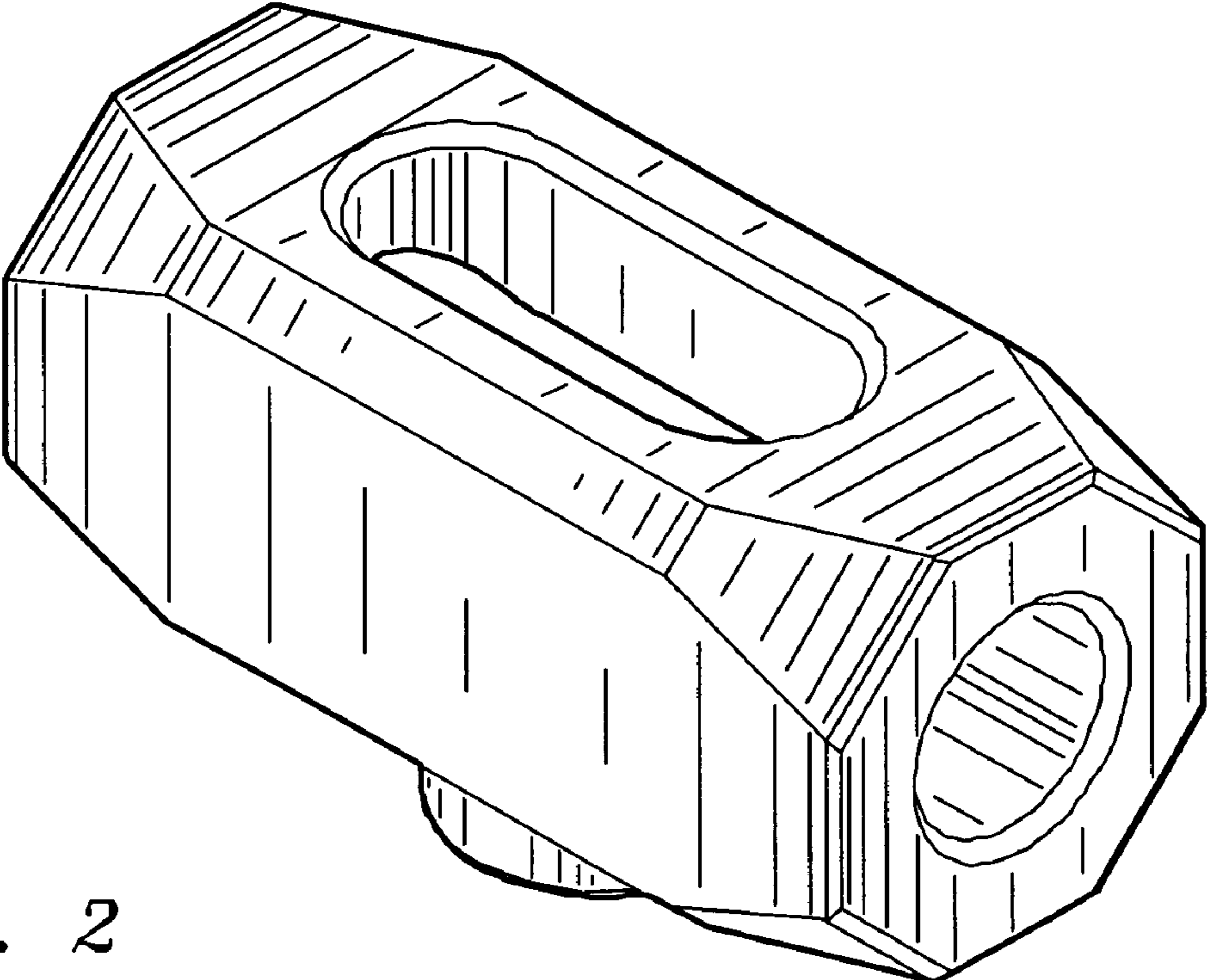
FIG. 2 is a rear, bottom perspective view thereof.

**1 Claim, 1 Drawing Sheet**





*FIG. 1*



*FIG. 2*