

US00D620343S

(12) **United States Design Patent**  
**Kortan et al.**

(10) **Patent No.:** **US D620,343 S**  
(45) **Date of Patent:** **\*\* Jul. 27, 2010**

(54) **FOUNDATION SUPPORT**

(75) Inventors: **Jeffrey M. Kortan**, Omaha, NE (US);  
**Kyle L. Olson**, Lincoln, NE (US)

(73) Assignee: **Foundation Supportworks, Inc.**,  
Omaha, NE (US)

(\*\*) Term: **14 Years**

(21) Appl. No.: **29/342,700**

(22) Filed: **Aug. 31, 2009**

**Related U.S. Application Data**

(63) Continuation-in-part of application No. 12/541,491,  
filed on Aug. 14, 2009, now abandoned.

(51) **LOC (9) Cl.** ..... **08-05**

(52) **U.S. Cl.** ..... **D8/355**

(58) **Field of Classification Search** ..... D8/355;  
405/230, 244, 231

See application file for complete search history.

(56) **References Cited**

**U.S. PATENT DOCUMENTS**

D362,613 S \* 9/1995 Lott, Sr. .... D8/355

5,722,798 A \* 3/1998 Gregory ..... 405/230  
6,468,002 B1 \* 10/2002 Gregory et al. .... 405/230  
7,090,435 B2 \* 8/2006 Mitchell ..... 405/230  
D572,120 S \* 7/2008 Concari ..... D8/355

\* cited by examiner

*Primary Examiner*—Doris Clark

(74) *Attorney, Agent, or Firm*—Keller LaPuma Woodard PC

(57) **CLAIM**

The ornamental design for a foundation support, as shown  
and described.

**DESCRIPTION**

FIG. 1 is a perspective view showing my new design;

FIG. 2 is a top plan view thereof;

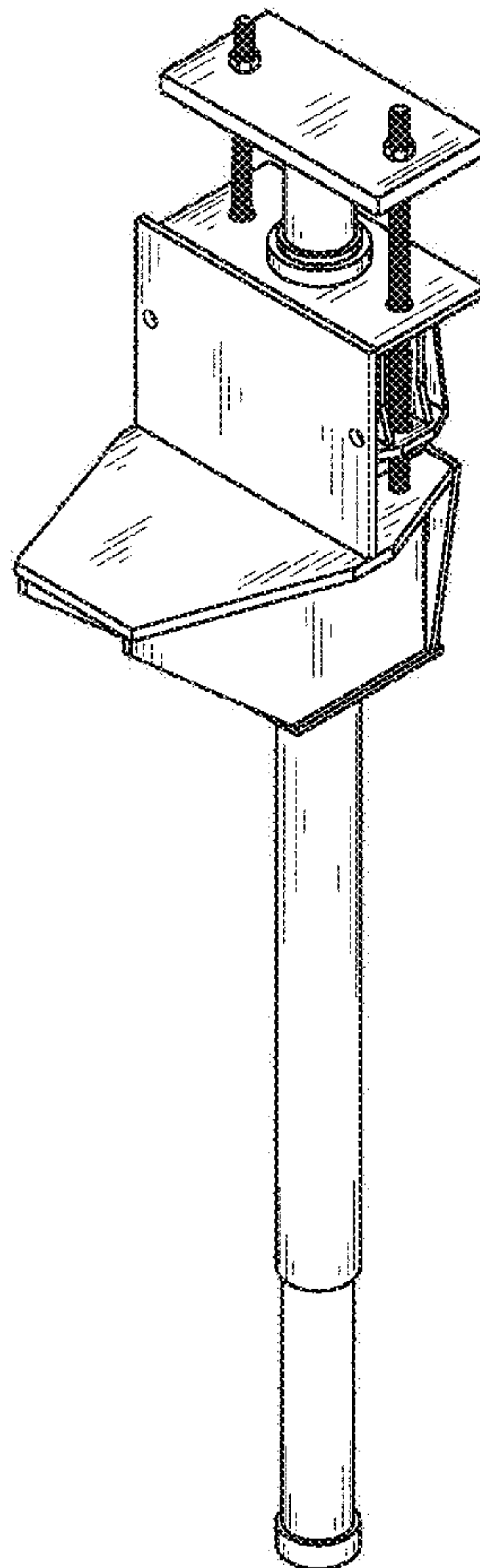
FIG. 3 is a front view thereof;

FIG. 4 is a side elevation view thereof;

FIG. 5 is a back elevation view thereof; and,

FIG. 6 is a bottom plan view thereof.

**1 Claim, 3 Drawing Sheets**



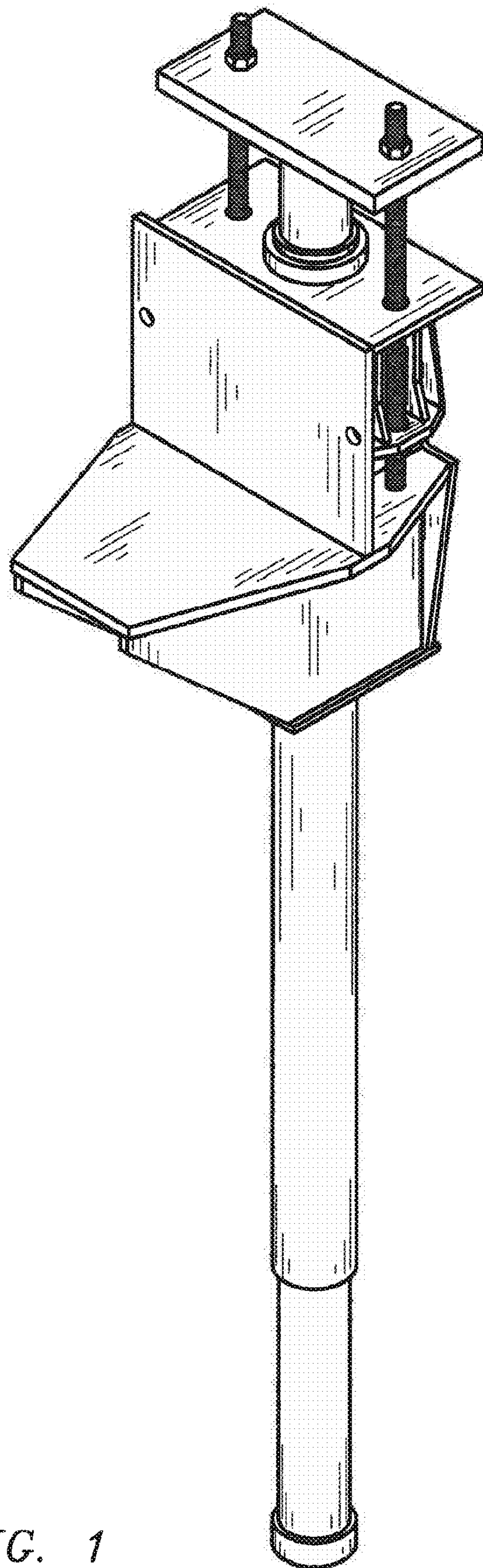


FIG. 1

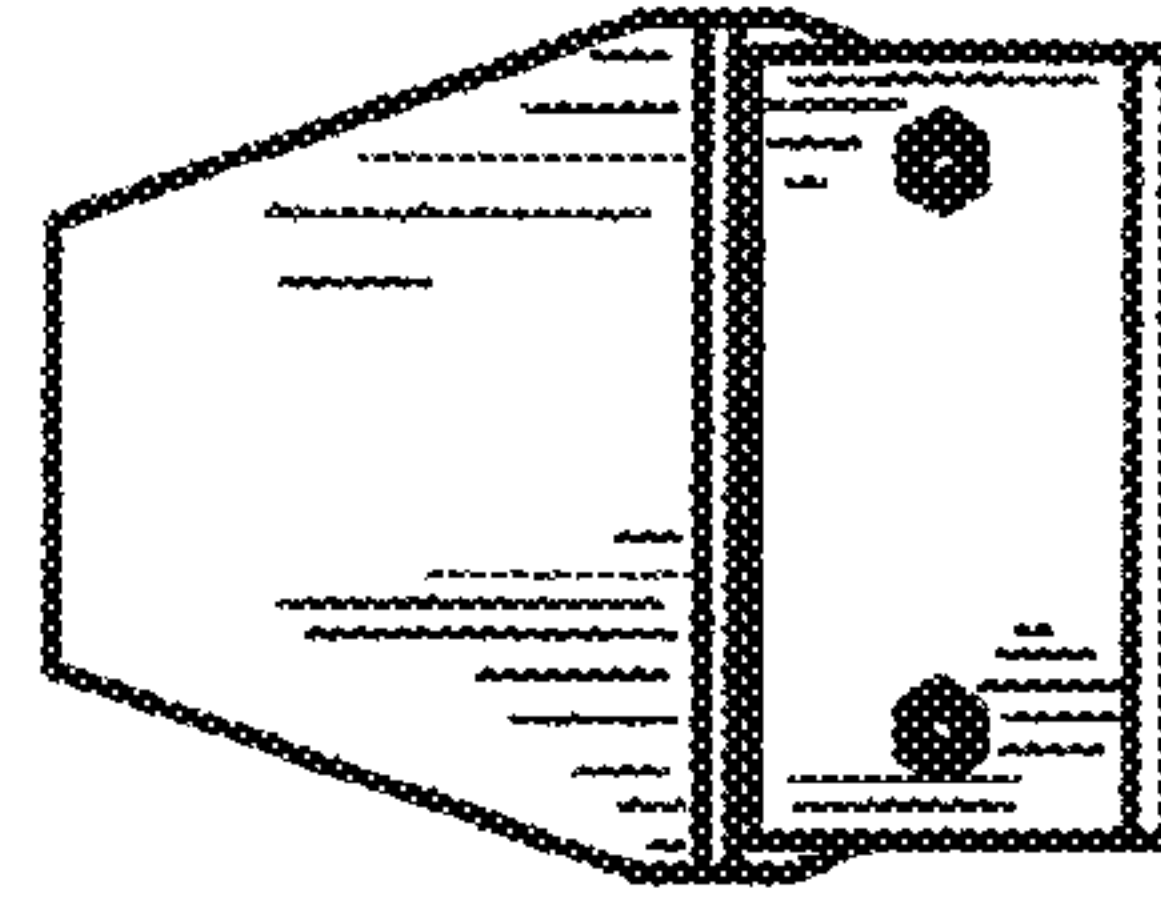


FIG. 2

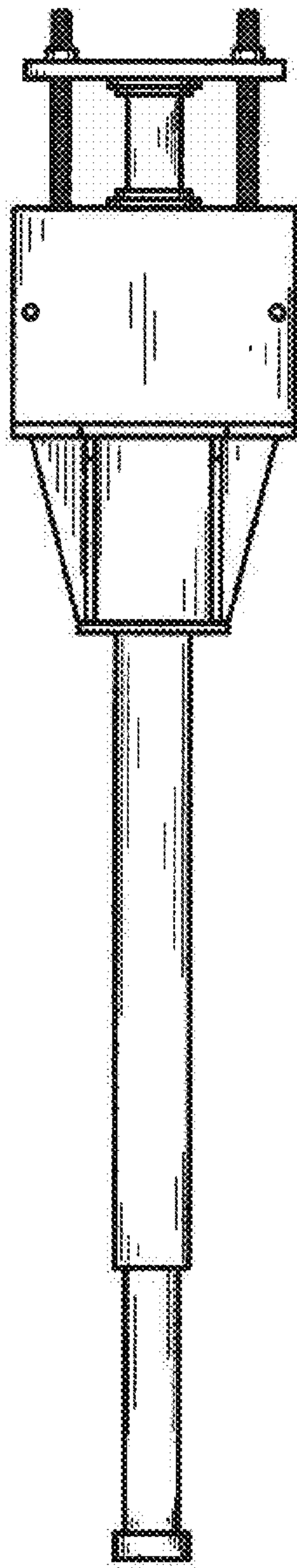


FIG. 3

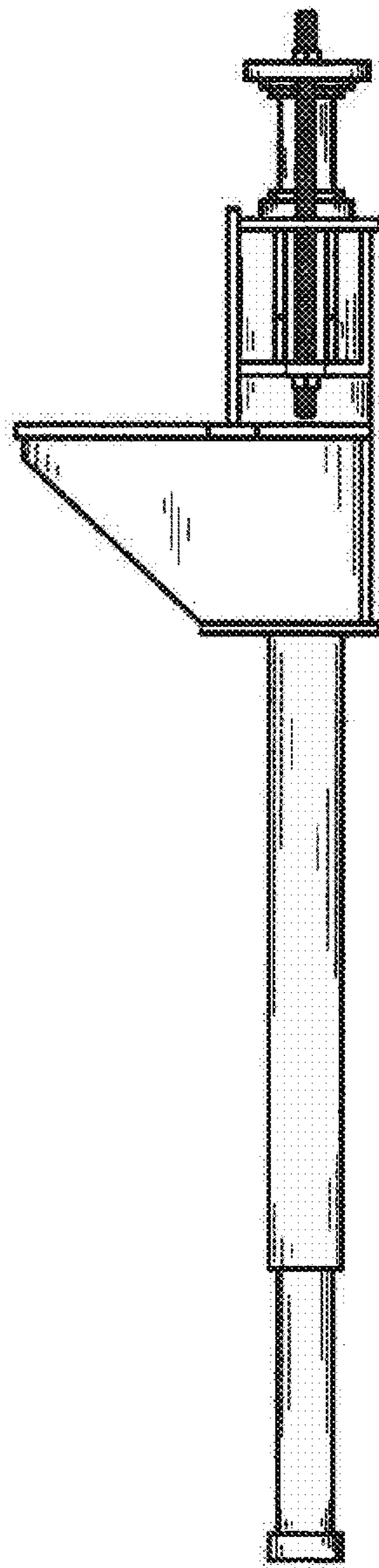
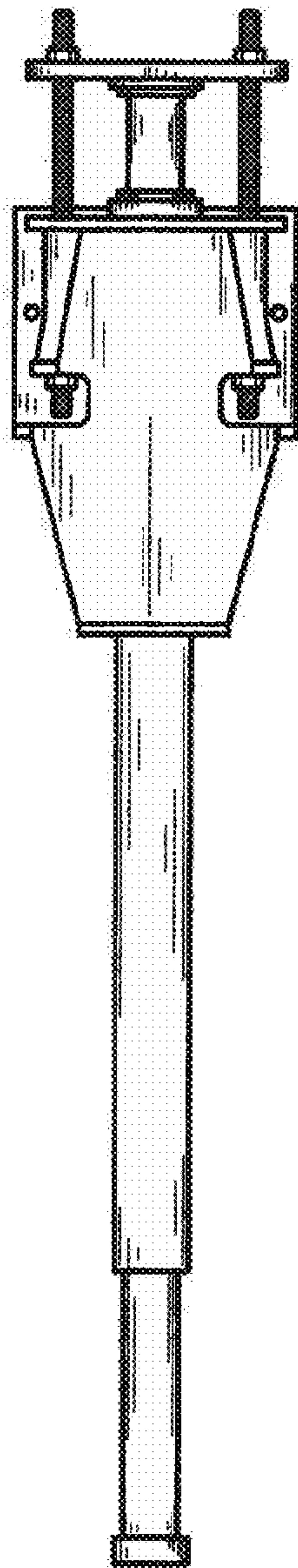
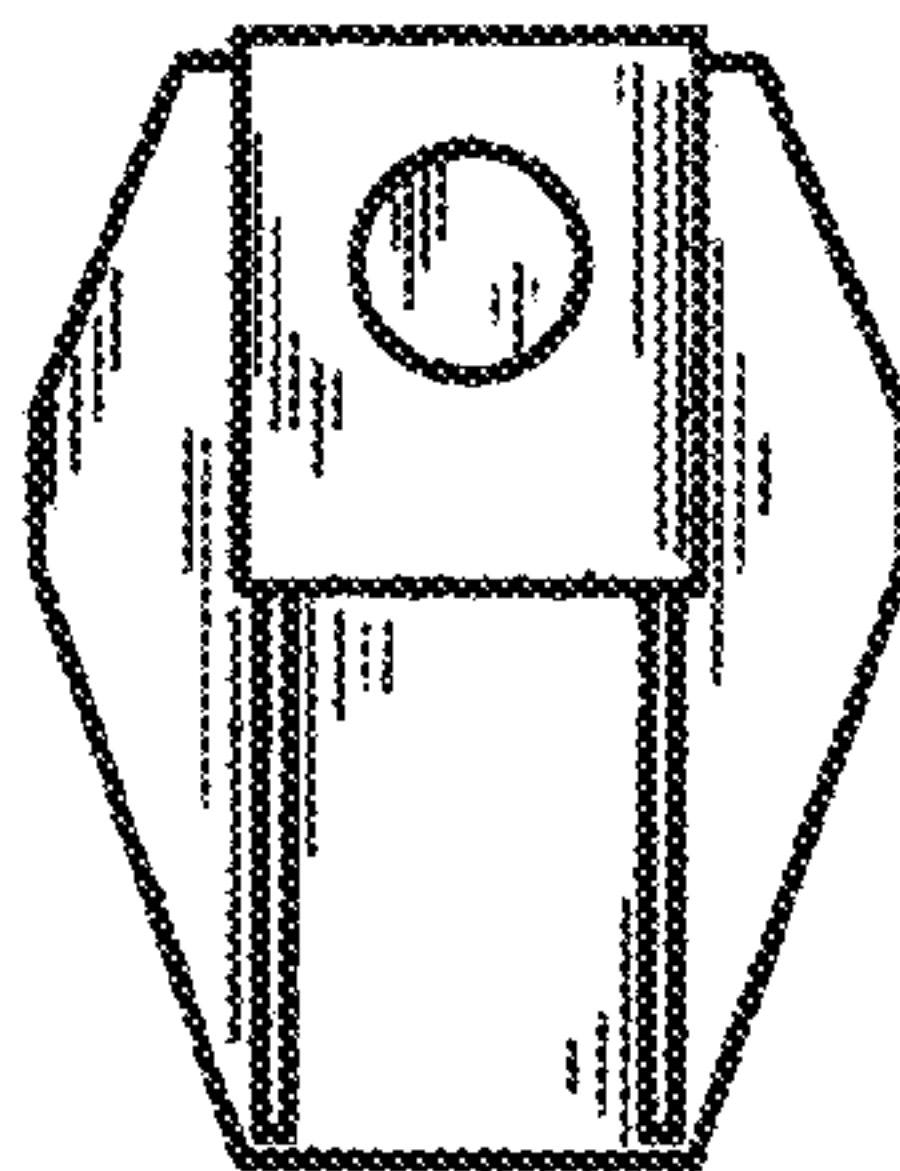


FIG. 4



*FIG. 5*



*FIG. 6*