



US00D620342S

(12) **United States Design Patent**
Mikkelsen

(10) **Patent No.:** **US D620,342 S**

(45) **Date of Patent:** **** Jul. 27, 2010**

(54) **BRACKET**

(75) Inventor: **Lars Mikkelsen**, Horsens (DK)

(73) Assignee: **Liselotte Mikkelsen** (DK)

(**) Term: **14 Years**

(21) Appl. No.: **29/343,046**

(22) Filed: **Sep. 4, 2009**

(30) **Foreign Application Priority Data**

Mar. 6, 2009 (EM) 001099006

(51) **LOC (9) Cl.** **08-05**

(52) **U.S. Cl.** **D8/354**

(58) **Field of Classification Search** D8/349,
D8/354, 367, 671, 373, 389; 248/200, 205.1,
248/216.1, 217.1, 217.2, 217.3, 300, 301,
248/317, 460, 467, 475.1, 477, 489, 497
See application file for complete search history.

(56) **References Cited**

U.S. PATENT DOCUMENTS

3,261,137	A	*	7/1966	Jureit	52/489.2
4,515,338	A	*	5/1985	Schneider	248/460
D279,431	S	*	7/1985	Sutherland	D8/373
D282,145	S	*	1/1986	Cole et al.	D8/373
D282,525	S	*	2/1986	Samson et al.	D8/373
D302,108	S	*	7/1989	Fenton	D8/373
D312,772	S	*	12/1990	Paul	D8/389
D313,550	S	*	1/1991	Lorincz	D8/373
D316,956	S	*	5/1991	Hoskinson et al.	D8/371
5,048,788	A	*	9/1991	Lorincz	248/477
5,152,117	A	*	10/1992	Wynar	52/712

D337,720	S	*	7/1993	Handwerger et al.	D8/373
D341,312	S	*	11/1993	Hansen	D8/373
5,267,718	A	*	12/1993	Sheehan	248/475.1
D397,927	S	*	9/1998	Roy	D8/373
5,906,349	A	*	5/1999	Roy	248/489
D432,903	S	*	10/2000	Cohen et al.	D8/373
D462,894	S	*	9/2002	Snyder	D8/373
D491,446	S	*	6/2004	Vidmar et al.	D8/373
D544,785	S	*	6/2007	Janssen	D8/373
D556,027	S	*	11/2007	Cuzzocrea	D8/373
7,441,741	B2	*	10/2008	Wong	248/477
D603,689	S	*	11/2009	Cubides	D8/373

* cited by examiner

Primary Examiner—Philip S Hyder

Assistant Examiner—Cynthia M Chin

(74) *Attorney, Agent, or Firm*—Lowe Hauptman Ham & Berner, LLP

(57) **CLAIM**

The ornamental design for a bracket, as shown and described.

DESCRIPTION

FIG. 1 is a perspective view of the bracket;

FIG. 2 is a rear view of the bracket;

FIG. 3 is a top view of the bracket;

FIG. 4 is a bottom view of the bracket;

FIG. 5 is a left side view of the bracket, the right side view being a mirror image thereof;

FIG. 6 is a front view of the bracket; and,

FIG. 7 is another perspective view of the bracket.

1 Claim, 7 Drawing Sheets

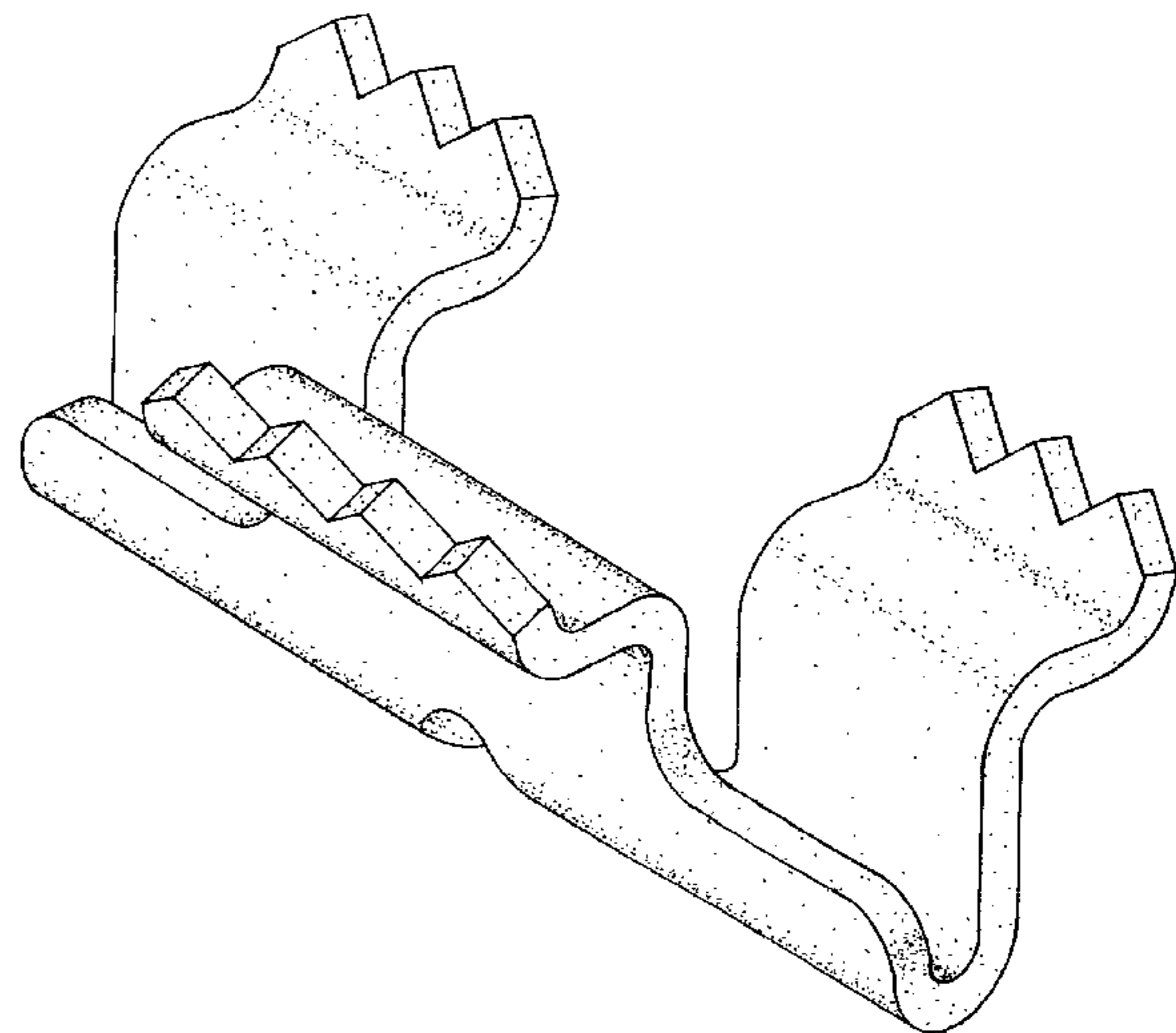
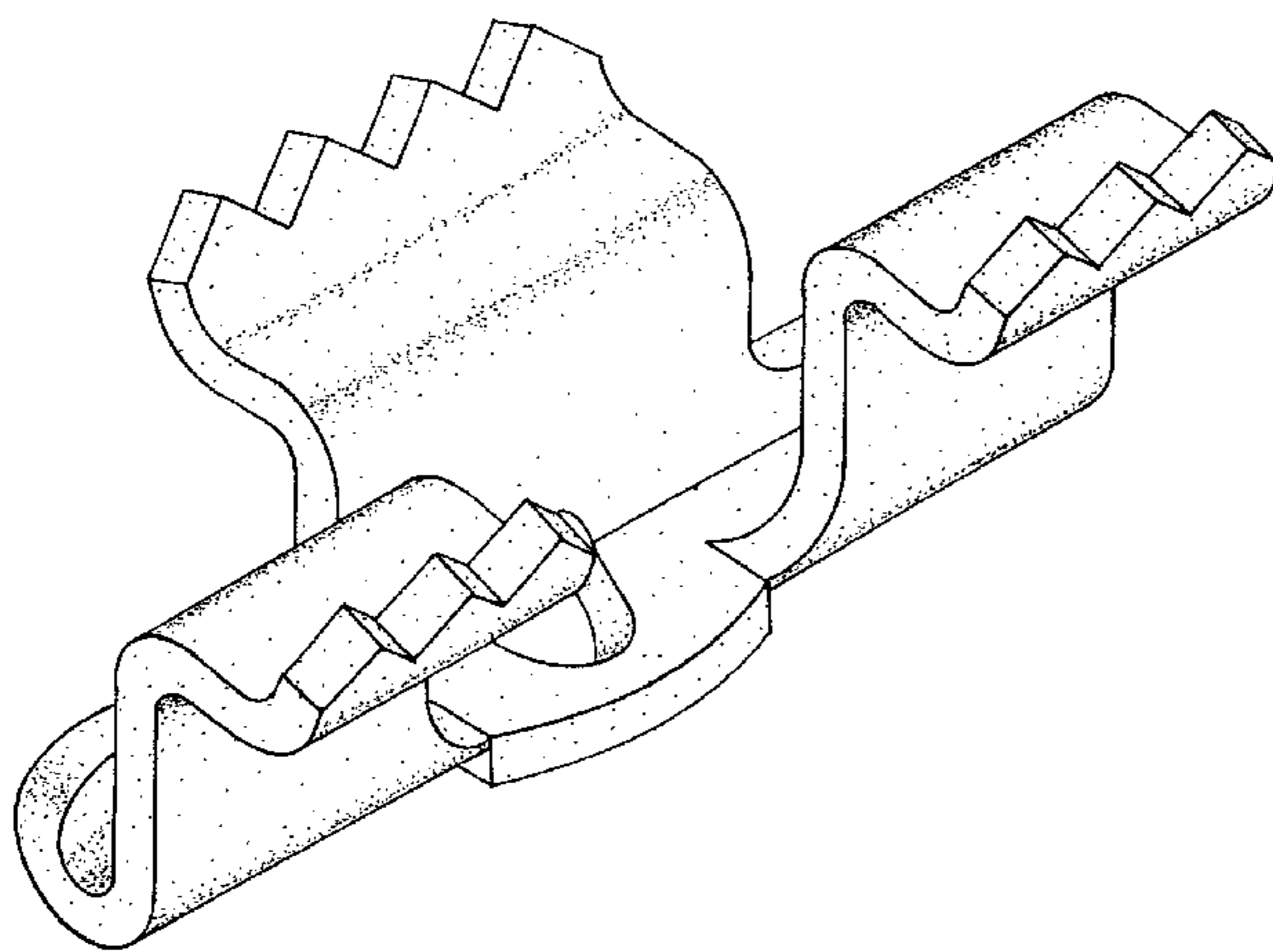


Fig. 1

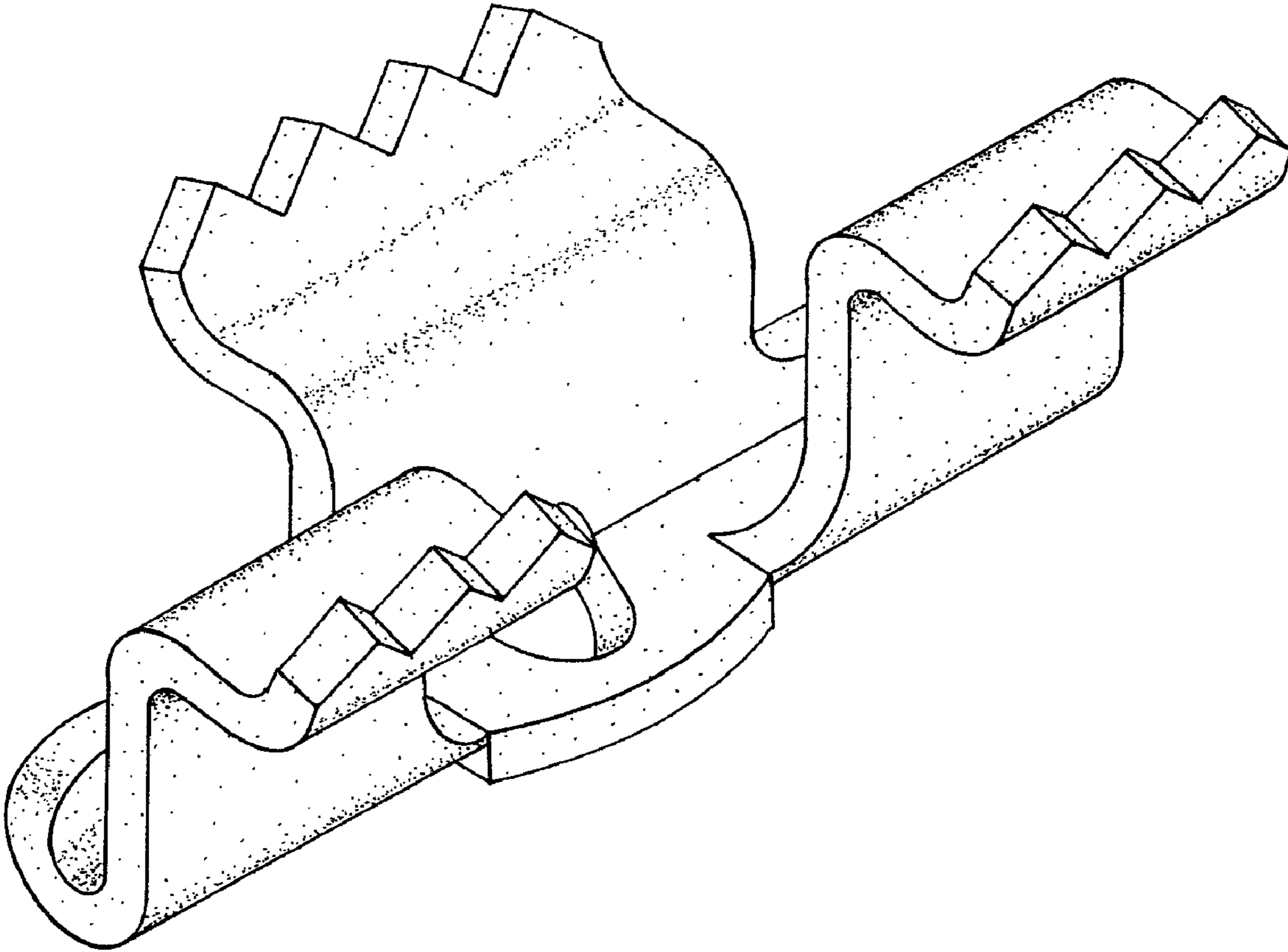


Fig. 2

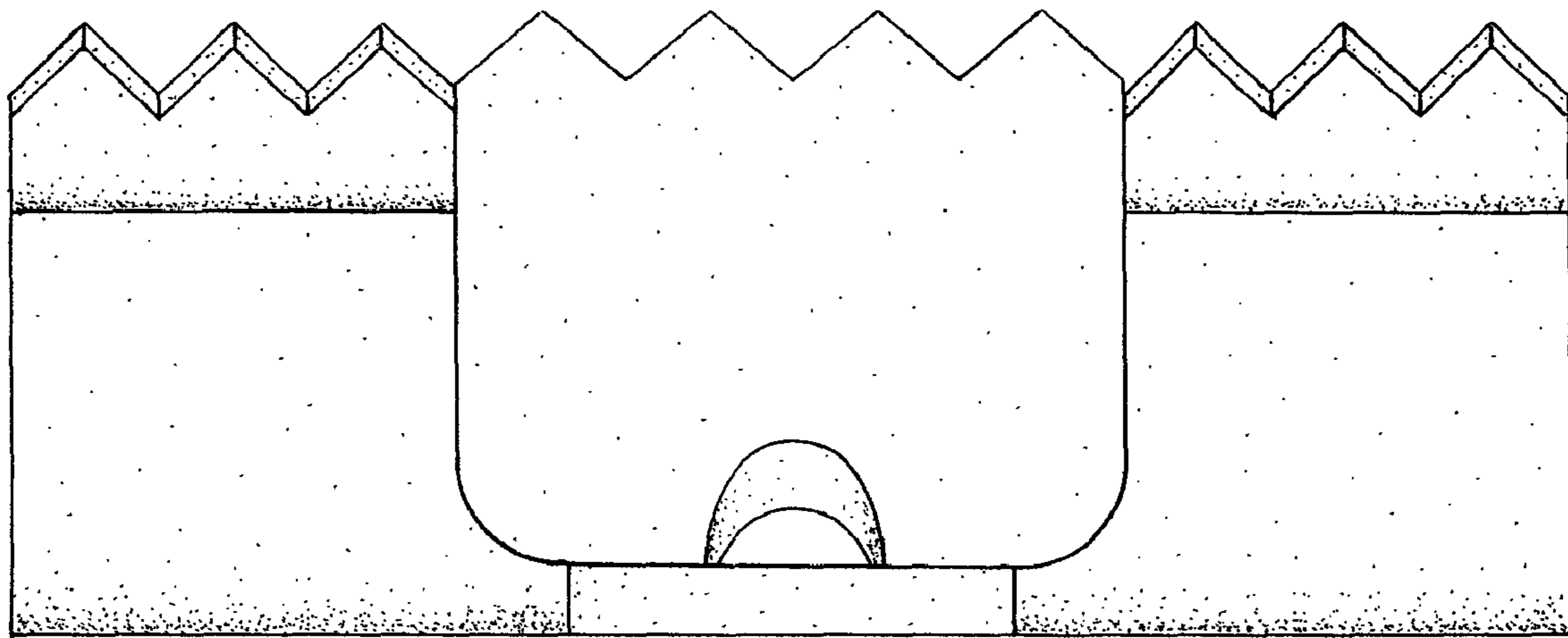


Fig. 3

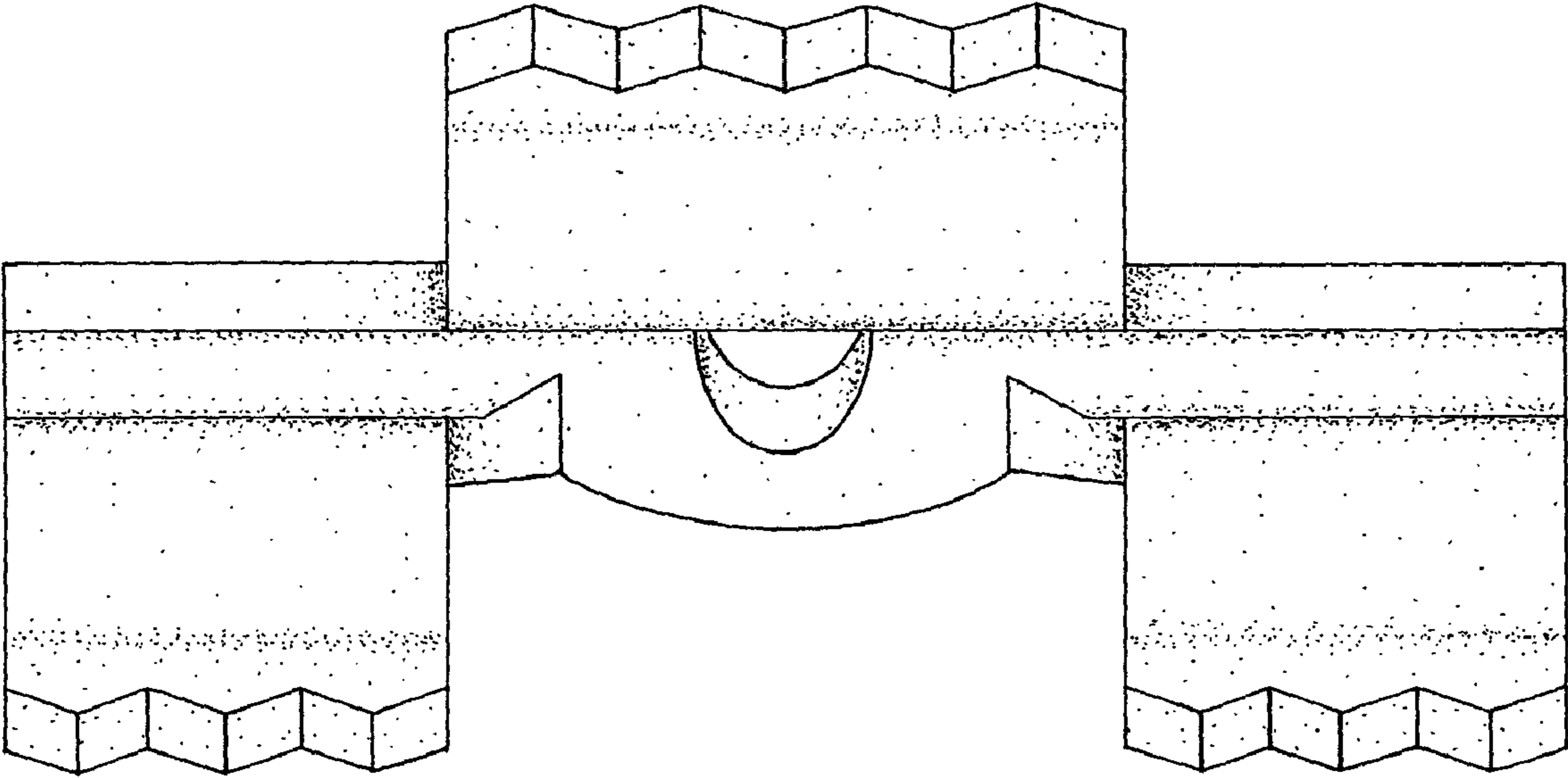


Fig. 4

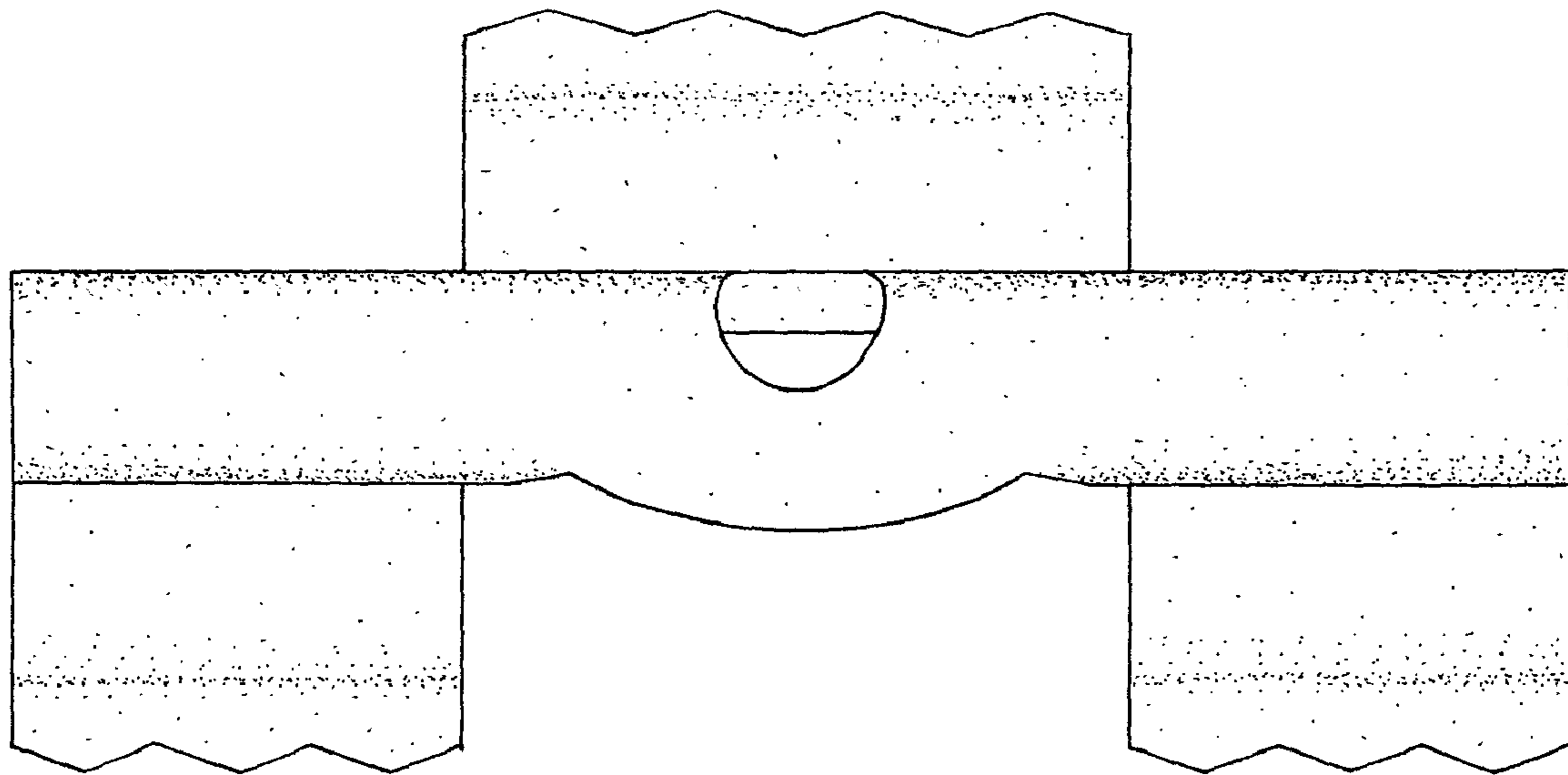


Fig. 5

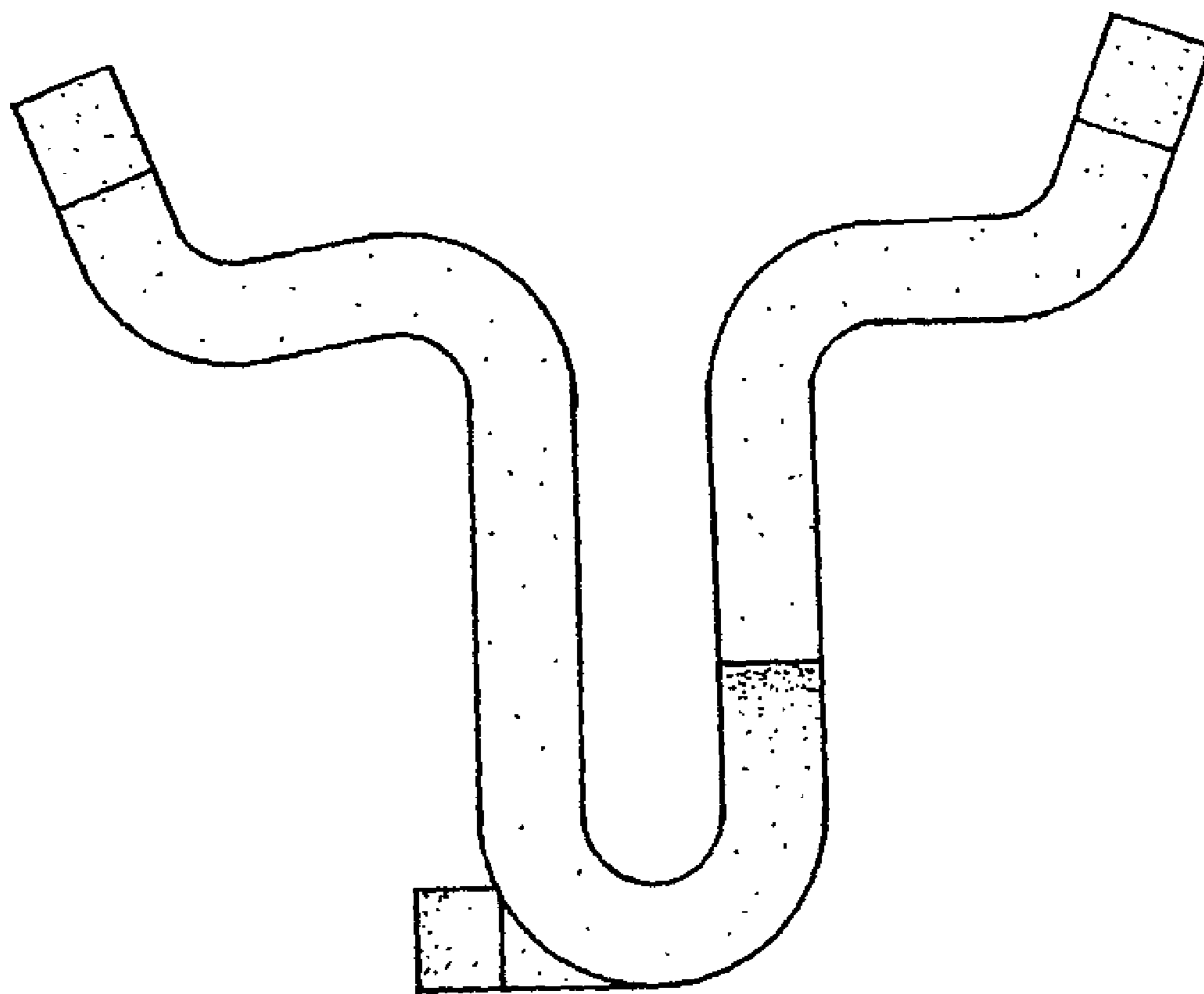


Fig. 6

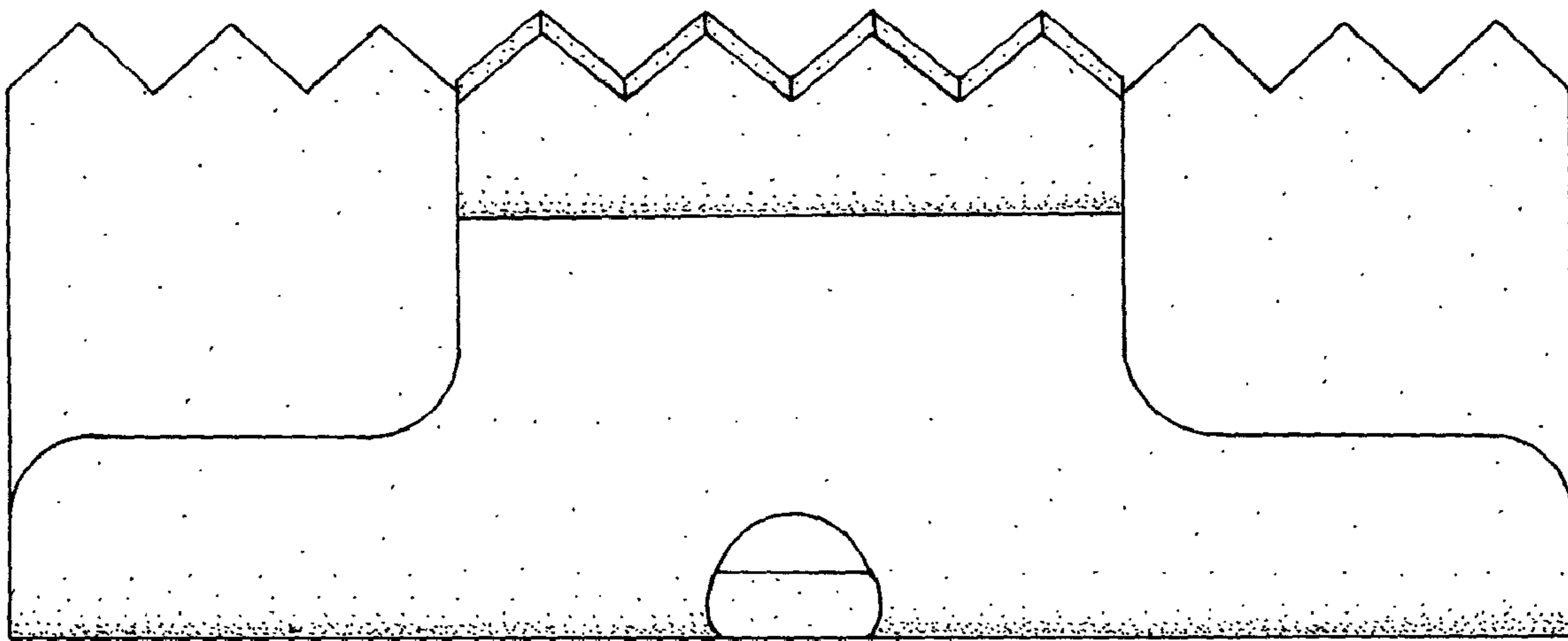


Fig. 7

