



US00D620341S

(12) **United States Design Patent**  
**Rechberg et al.**

(10) **Patent No.:** **US D620,341 S**  
(45) **Date of Patent:** **\*\* Jul. 27, 2010**

(54) **DRAWER WIRE STRIKE**  
(75) Inventors: **Frank H. Rechberg**, Corona, CA (US);  
**Jason A. Rechberg**, Anaheim, CA (US)  
(73) Assignee: **Actron Manufacturing, Inc.**, Corona,  
CA (US)  
(\*\*) Term: **14 Years**  
(21) Appl. No.: **29/345,925**  
(22) Filed: **Oct. 23, 2009**  
(51) **LOC (9) Cl.** ..... **08-07**  
(52) **U.S. Cl.** ..... **D8/339; D8/331**  
(58) **Field of Classification Search** ..... D8/330,  
D8/331, 339-341, 343, 400, 404; 70/14,  
70/78, 85, 86-90, 117, 118, 141, DIG. 78,  
70/DIG. 79, DIG. 80  
See application file for complete search history.

4,537,450 A 8/1985 Baxter  
4,749,242 A 6/1988 Rechberg  
4,932,792 A 6/1990 Baxter  
4,988,214 A 1/1991 Clement  
5,657,652 A \* 8/1997 Martin ..... 70/85  
6,126,255 A 10/2000 Yang  
6,244,678 B1 6/2001 Dopp et al.  
6,412,317 B1 \* 7/2002 Martin ..... 70/81  
6,435,636 B1 8/2002 MacMillan  
6,655,762 B2 \* 12/2003 Krueger ..... 312/333  
7,028,621 B2 \* 4/2006 Mercier ..... 109/56  
D520,338 S \* 5/2006 Robert et al. .... D8/339  
D522,633 S \* 6/2006 Hoernig ..... D23/252  
7,410,095 B2 \* 8/2008 Selover ..... 232/16  
7,537,296 B2 5/2009 Leon et al.  
2008/0218046 A1 9/2008 Rechberg  
2009/0013732 A1 \* 1/2009 Gianelo ..... 70/85

\* cited by examiner

*Primary Examiner*—Prabhakar Deshmukh  
(74) *Attorney, Agent, or Firm*—Stetina Brunda Garred &  
Brucker

(56) **References Cited**  
U.S. PATENT DOCUMENTS

1,557,765 A 10/1925 Nicholas  
1,910,208 A 5/1933 Gronberg et al.  
2,547,513 A 4/1951 Wikman  
2,752,219 A 6/1956 Yonkers  
3,074,766 A 1/1963 Meyer  
3,259,447 A 7/1966 Deutsch  
3,401,998 A 9/1968 Evans et al.  
3,773,395 A 11/1973 Antonaccio  
3,801,166 A 4/1974 York  
3,937,531 A 2/1976 Hagen et al.  
4,030,788 A \* 6/1977 Bleeker ..... 312/333  
4,067,632 A 1/1978 Sekerich  
4,133,419 A \* 1/1979 Greenwald et al. .... 194/350  
4,341,166 A \* 7/1982 Cantley ..... 109/53  
4,423,914 A 1/1984 Vanderley  
4,441,772 A 4/1984 Fielding et al.  
4,469,384 A 9/1984 Fler et al.

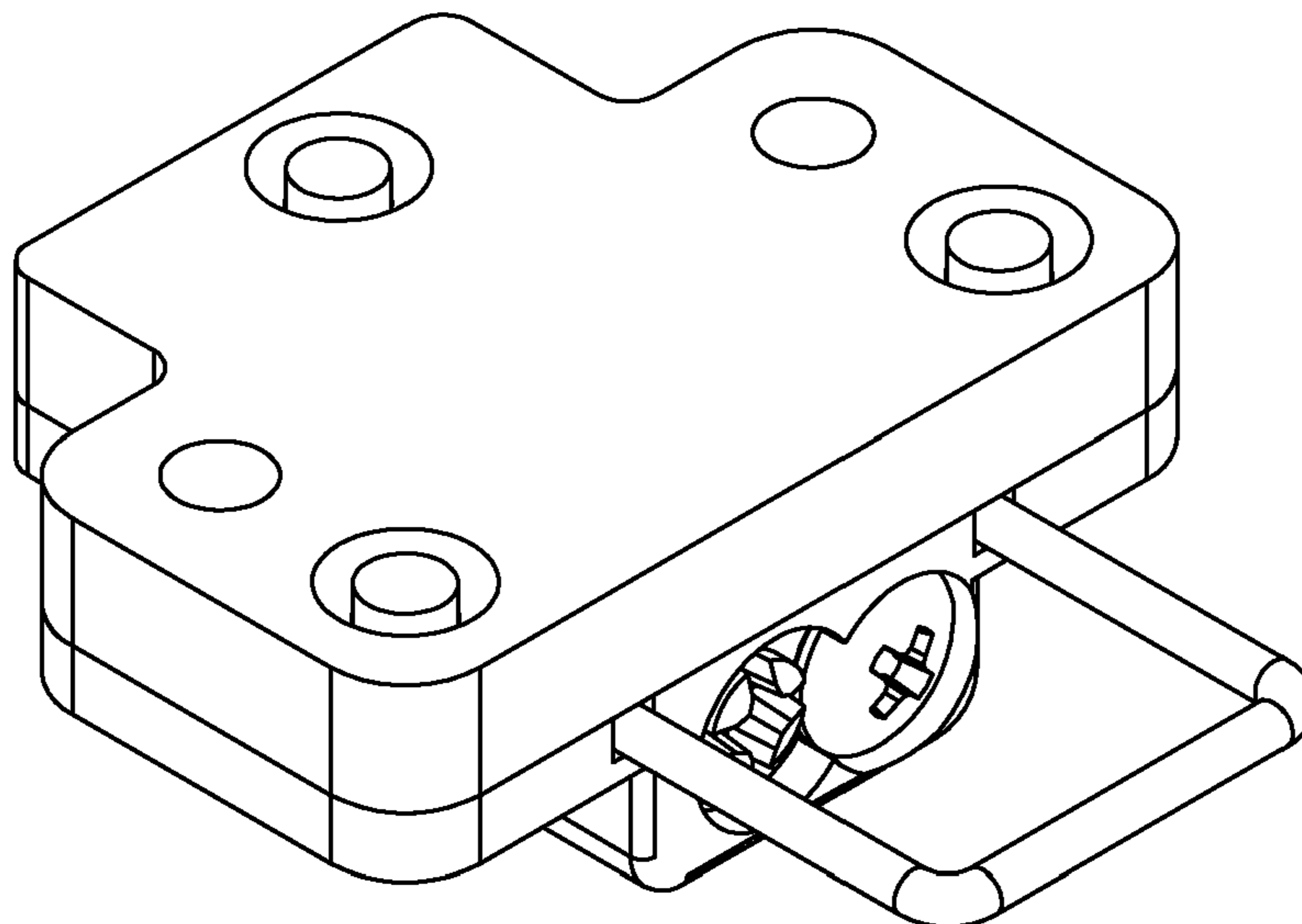
(57) **CLAIM**

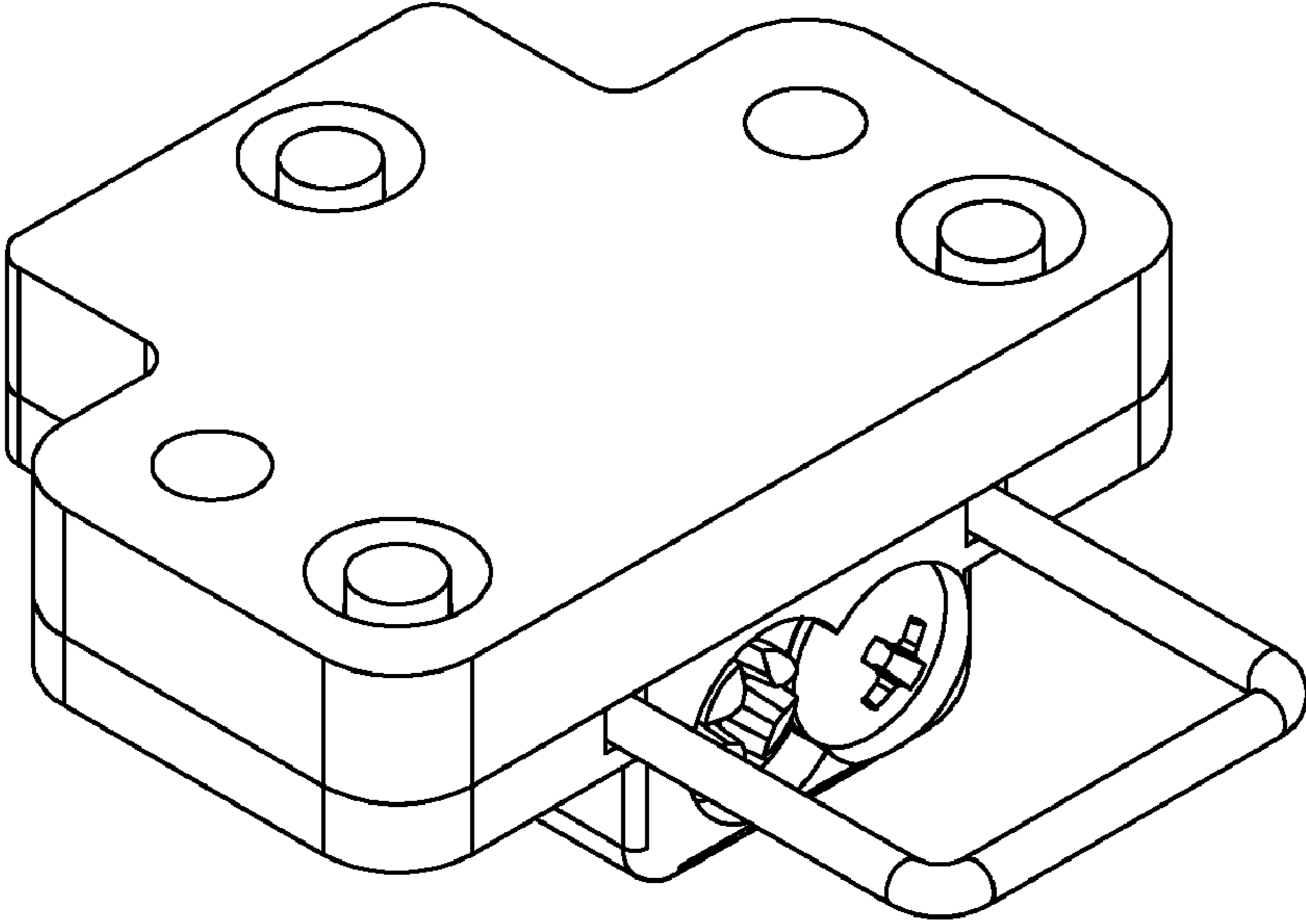
The ornamental design for a drawer wire strike, as shown and described.

**DESCRIPTION**

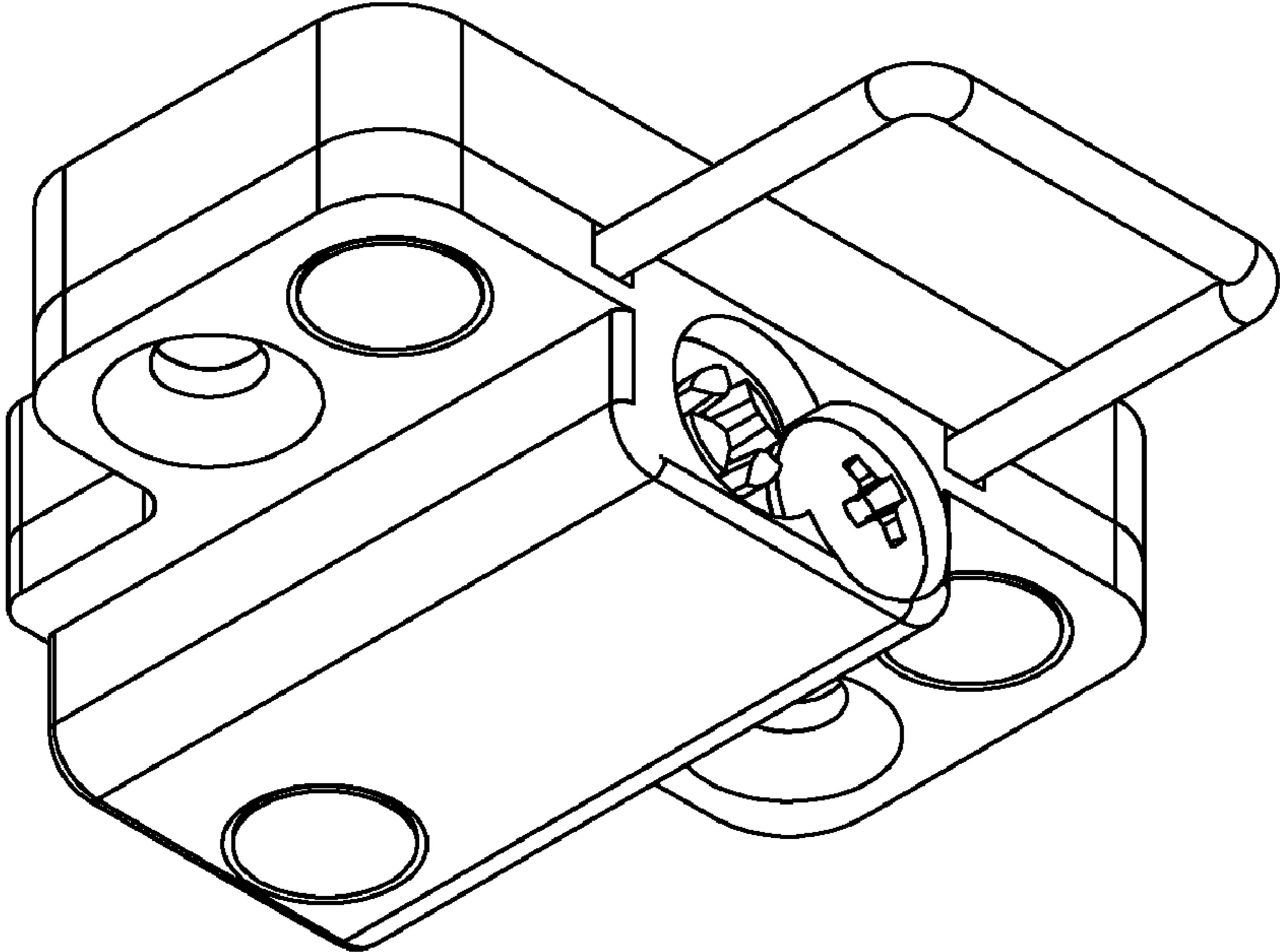
FIG. 1 is a top perspective view of the drawer wire strike of the present invention showing our new design;  
FIG. 2 is a bottom perspective view thereof;  
FIG. 3 is a bottom plan view thereof;  
FIG. 4 is a top plan view thereof;  
FIG. 5 is a front elevational view thereof;  
FIG. 6 is a side elevational view thereof; and,  
FIG. 7 is a rear elevational view thereof.

**1 Claim, 2 Drawing Sheets**

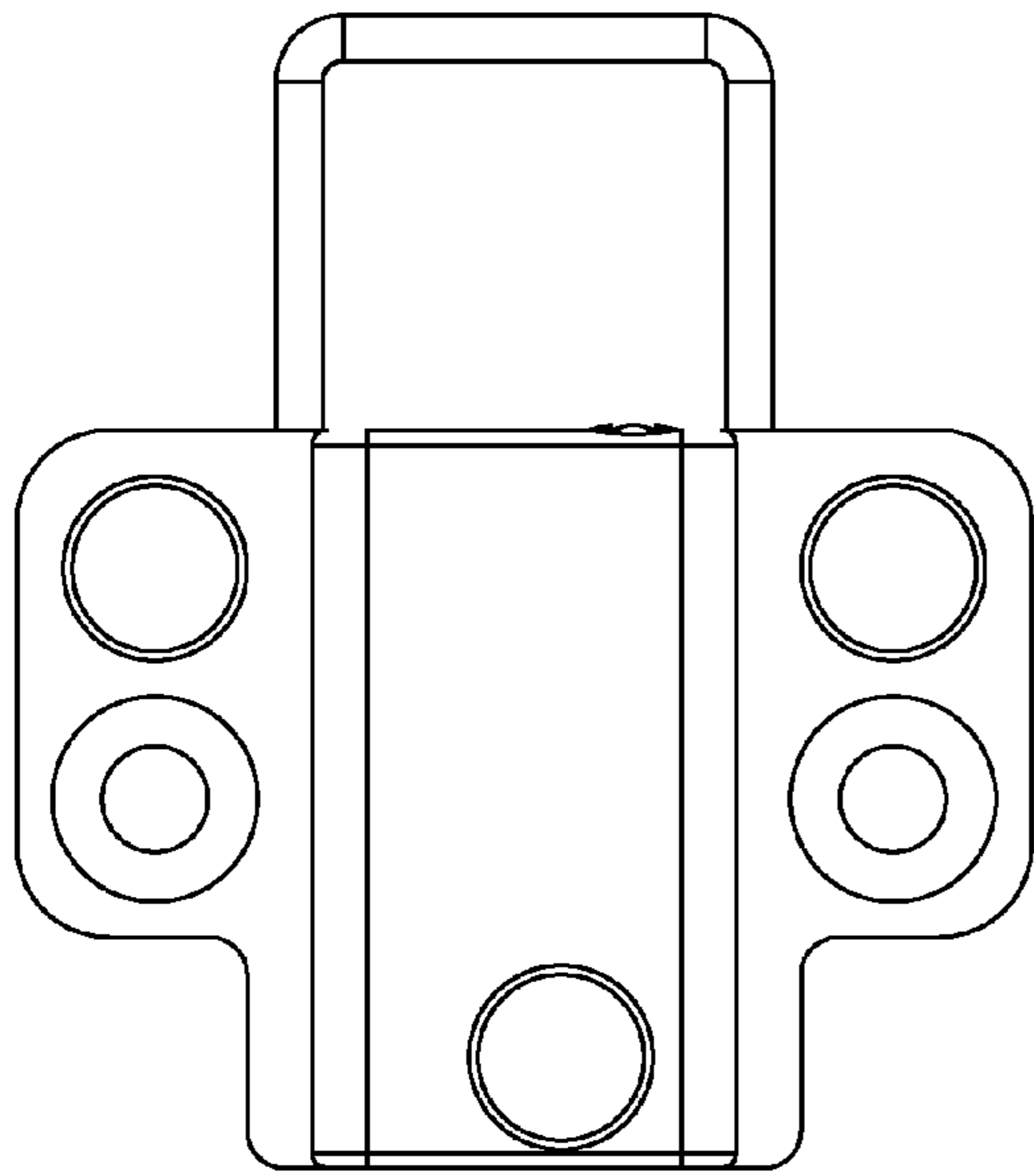




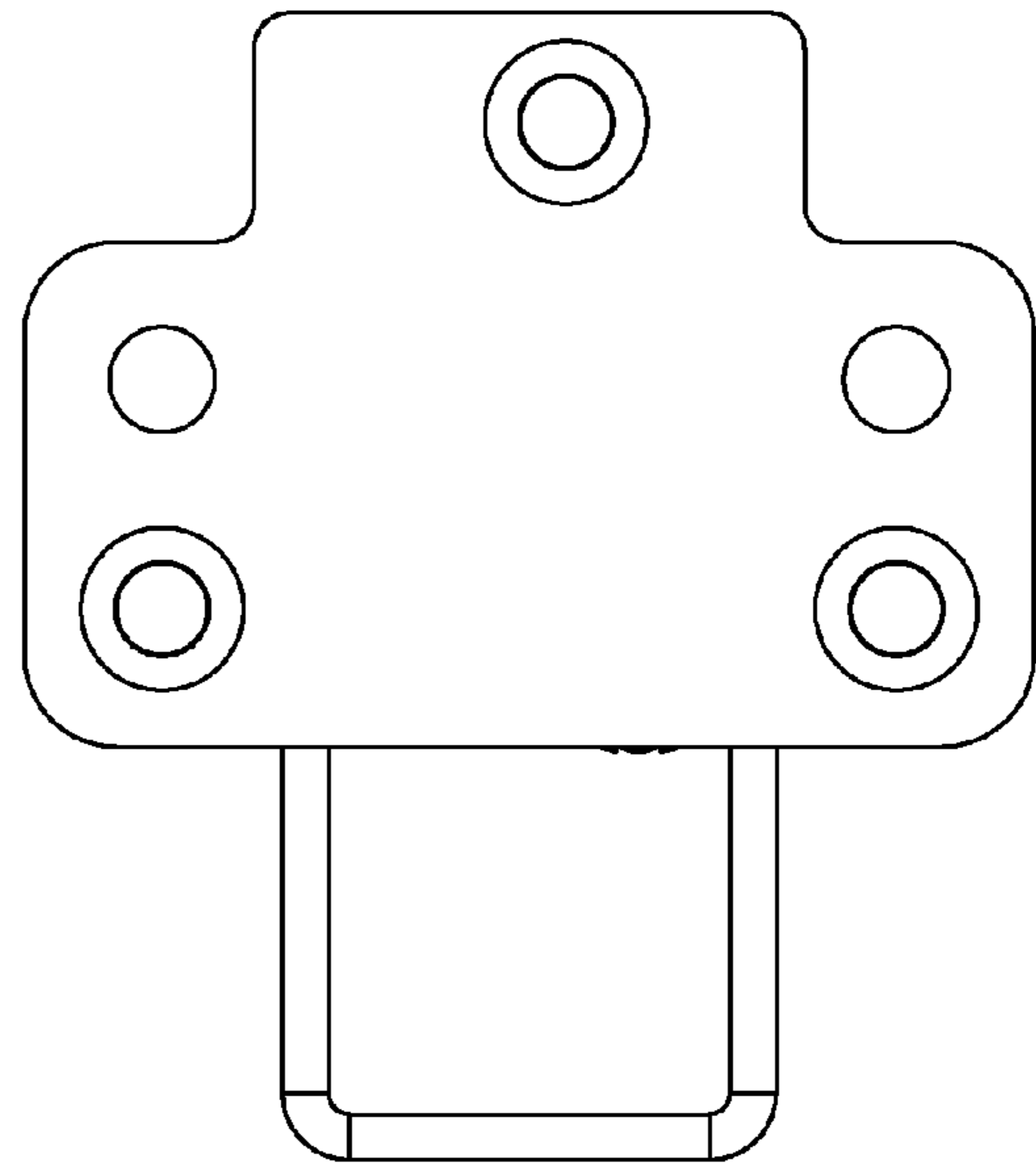
*Fig. 1*



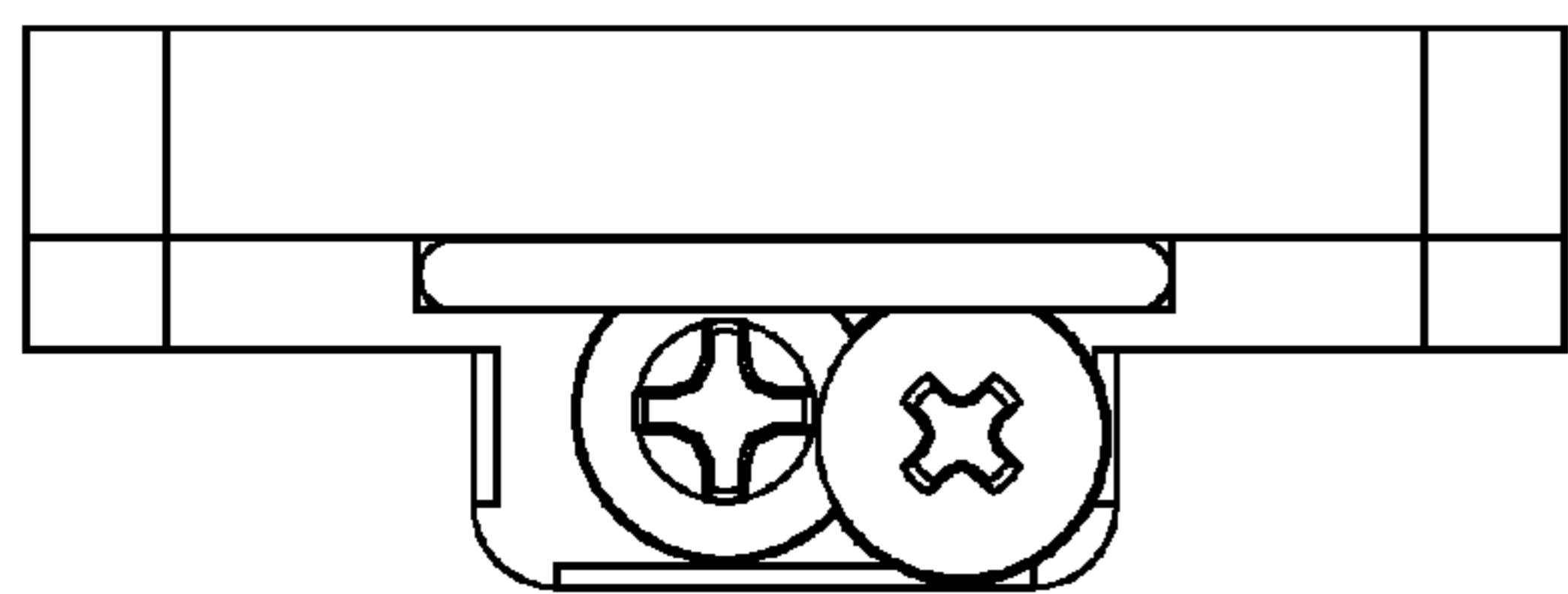
*Fig. 2*



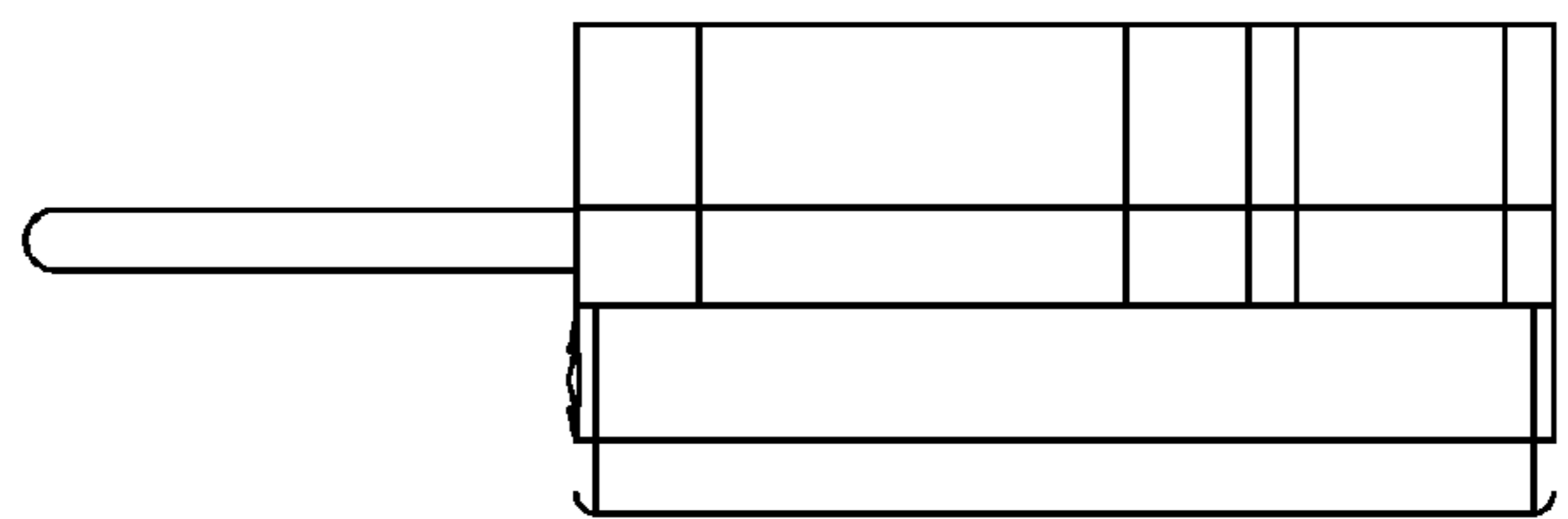
*Fig. 3*



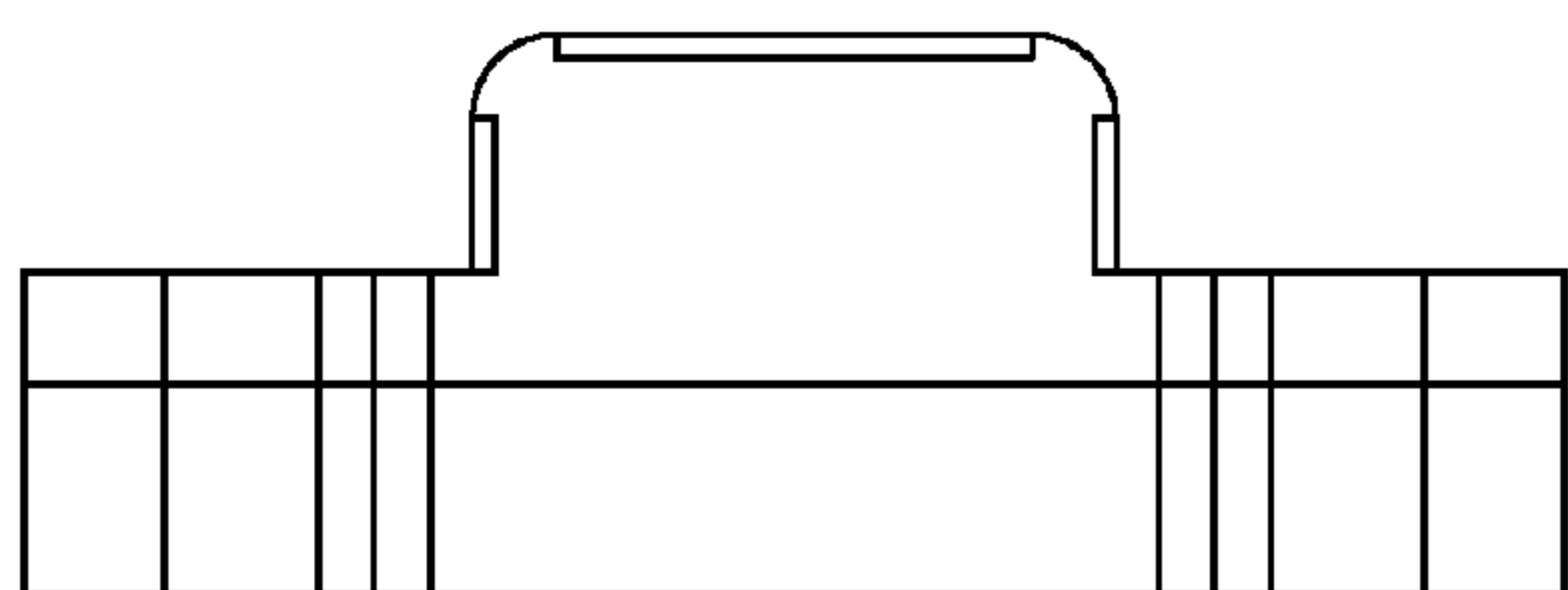
*Fig. 4*



*Fig. 5*



*Fig. 6*



*Fig. 7*