



US00D620340S

(12) **United States Design Patent**
Liljeqvist et al.

(10) **Patent No.:** **US D620,340 S**

(45) **Date of Patent:** **** Jul. 27, 2010**

(54) **LOCKING DEVICE**

(75) Inventors: **Per Liljeqvist**, Anderstorp (SE); **Tommy Johansen**, Värnamo (SE)

(73) Assignee: **Axelent AB**, Hillerstorp (SE)

(**) Term: **14 Years**

(21) Appl. No.: **29/326,956**

(22) Filed: **Oct. 28, 2008**

(30) **Foreign Application Priority Data**

Apr. 28, 2008 (EM) 000925391

(51) **LOC (9) Cl.** **08-07**

(52) **U.S. Cl.** **D8/330**

(58) **Field of Classification Search** D8/330,
D8/331, 333, 337, 341, 342, 343, 344, 346,
D8/349, 352, 354, 382, 383; 70/14, 51, 69,
70/77, 141, 164, 202, 207, 431, 466; 292/307 R,
292/317, 318; 294/82.17

See application file for complete search history.

(56) **References Cited**

U.S. PATENT DOCUMENTS

3,955,842 A * 5/1976 Edwards 292/307 R
D412,099 S * 7/1999 Korhonen D8/331
6,173,592 B1 * 1/2001 Yu 70/69
D440,238 S * 4/2001 Alvring et al. D15/89

D452,998 S * 1/2002 Speed D8/341
D492,183 S * 6/2004 Becker D8/331
D495,582 S * 9/2004 Richardson et al. D8/337
D519,824 S * 5/2006 Collings et al. D8/331
D521,358 S * 5/2006 Liao D8/331
D523,732 S * 6/2006 Farrar et al. D8/346

* cited by examiner

Primary Examiner—Prabhakar Deshmukh

Assistant Examiner—Derrick Holland

(74) *Attorney, Agent, or Firm*—Birch, Stewart, Kolasch & Birch, LLP

(57) **CLAIM**

The ornamental design for a locking device, as shown and described.

DESCRIPTION

FIG. 1 is a perspective view of a part of the locking device showing my new design;

FIG. 2 is a perspective view thereof;

FIG. 3 is a front elevational view thereof;

FIG. 4 is a left side elevational view thereof;

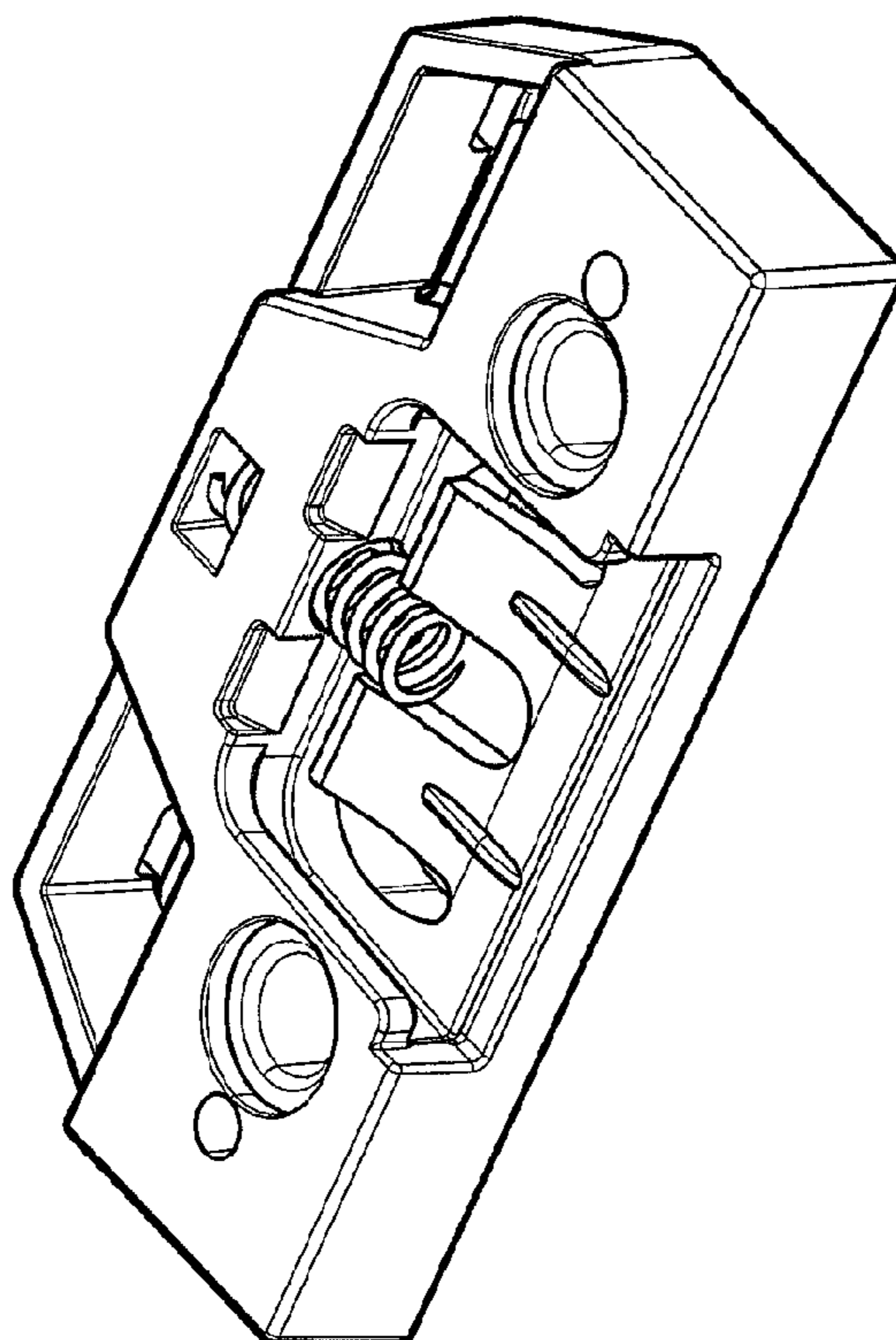
FIG. 5 is a top plan view thereof;

FIG. 6 is a right side elevational view thereof;

FIG. 7 is a rear elevational view thereof; and,

FIG. 8 is a bottom plan view thereof.

1 Claim, 3 Drawing Sheets



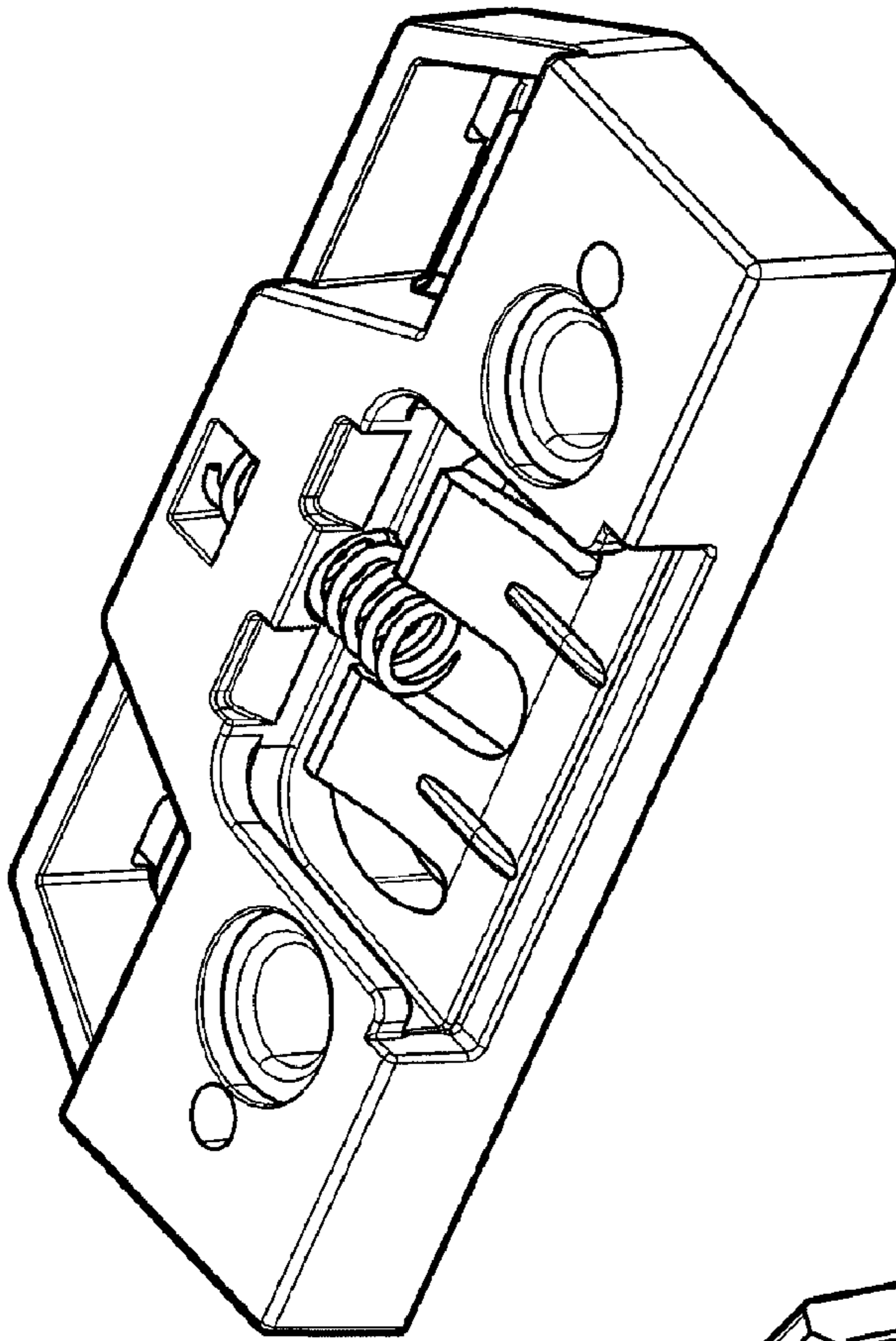


Fig. 1

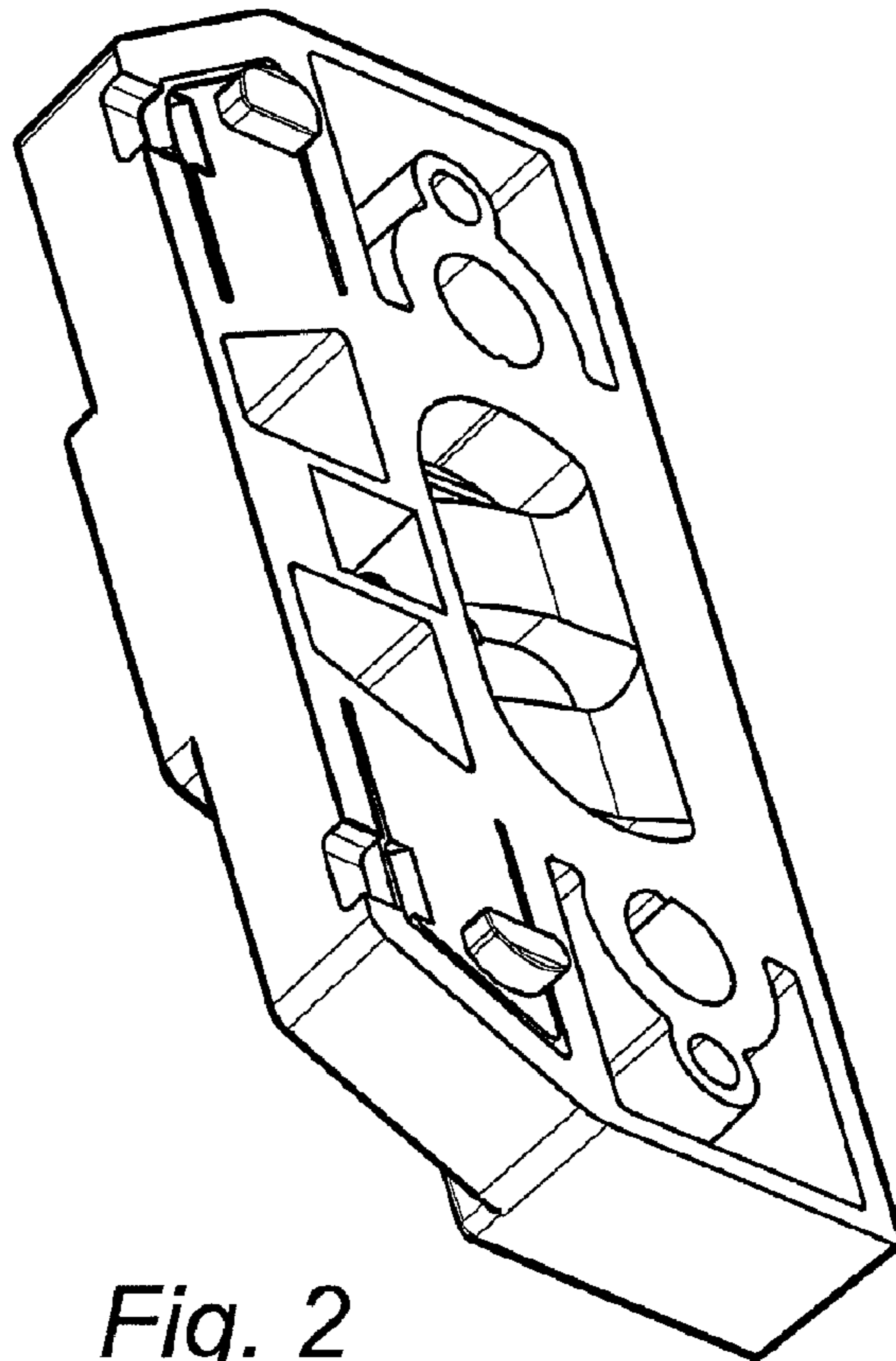


Fig. 2

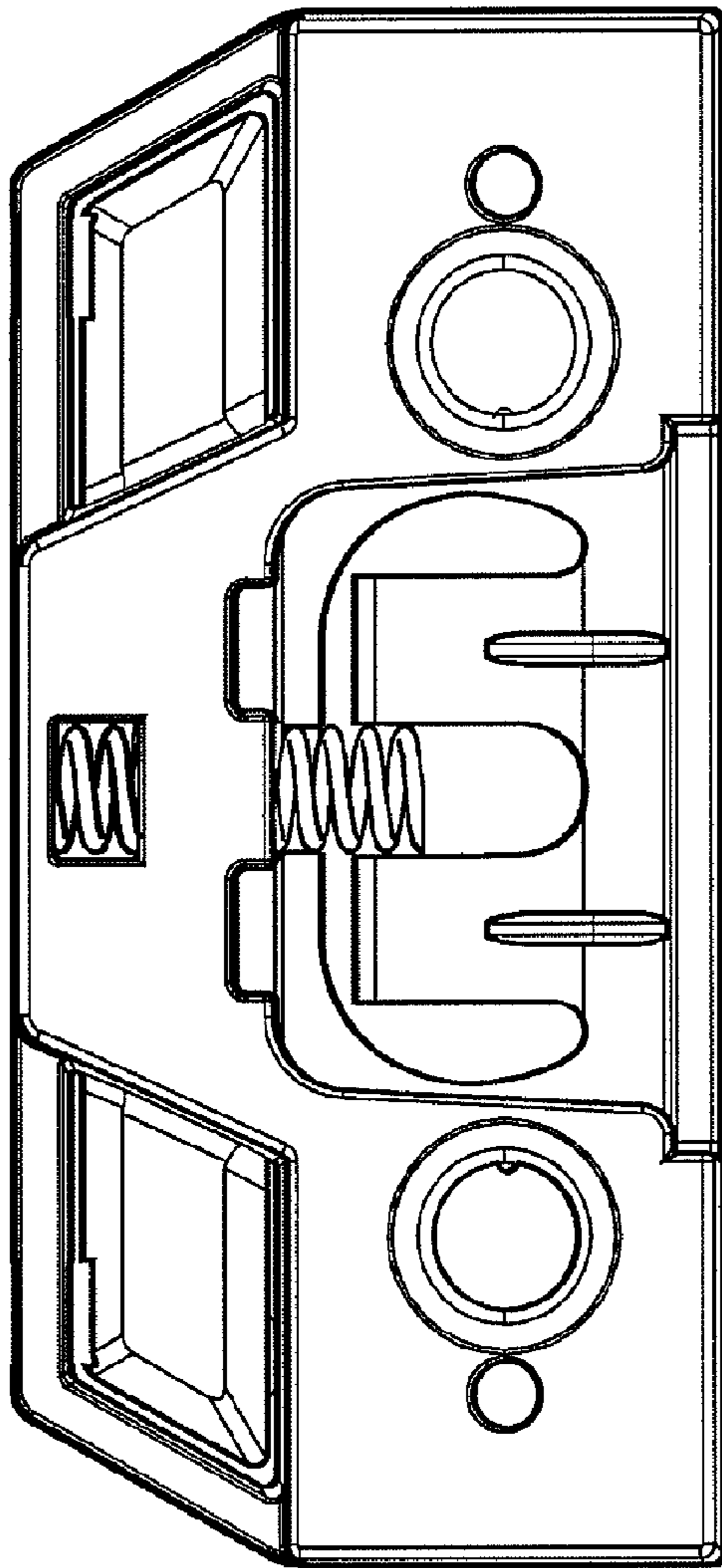


Fig. 3

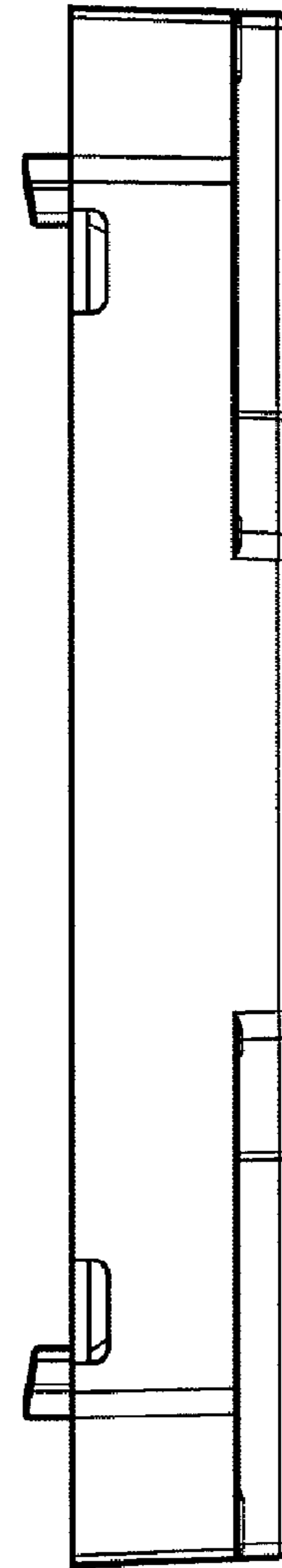


Fig. 4

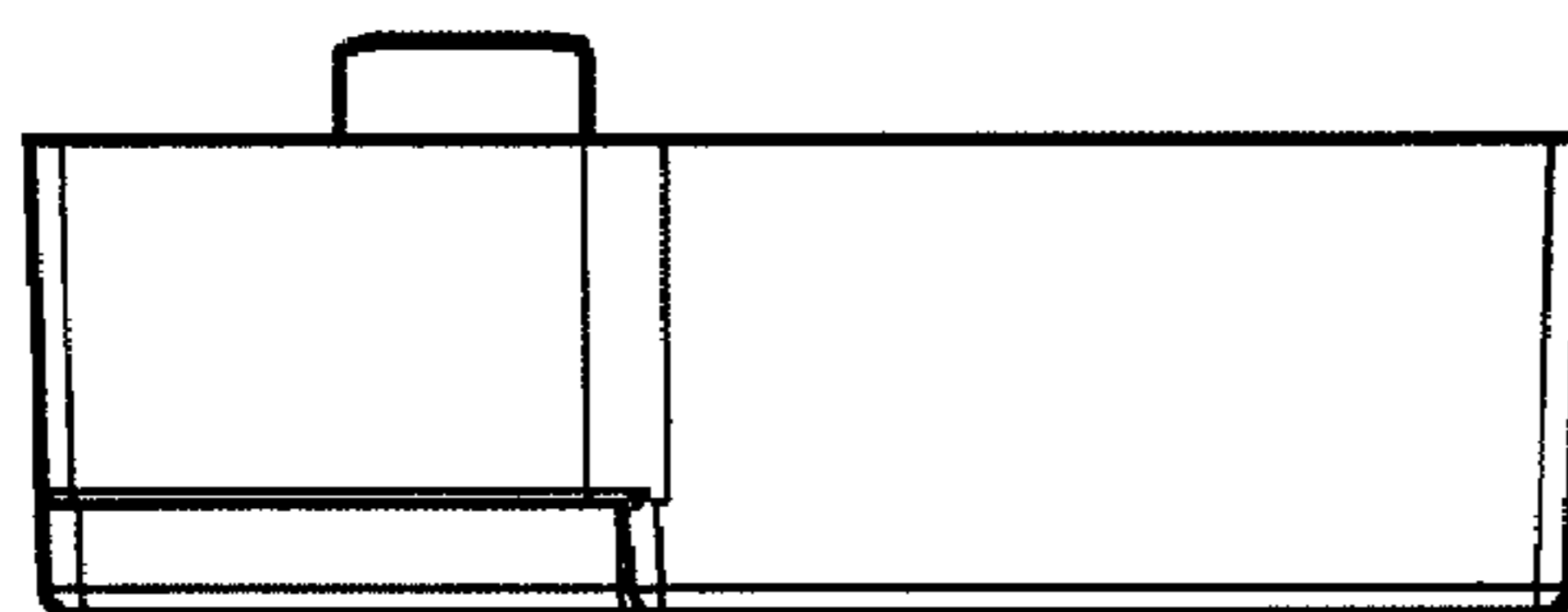


Fig. 5

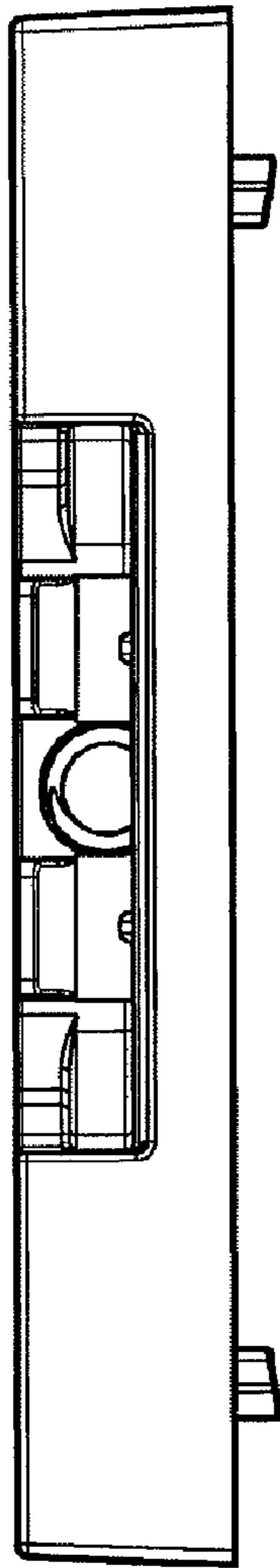


Fig. 6

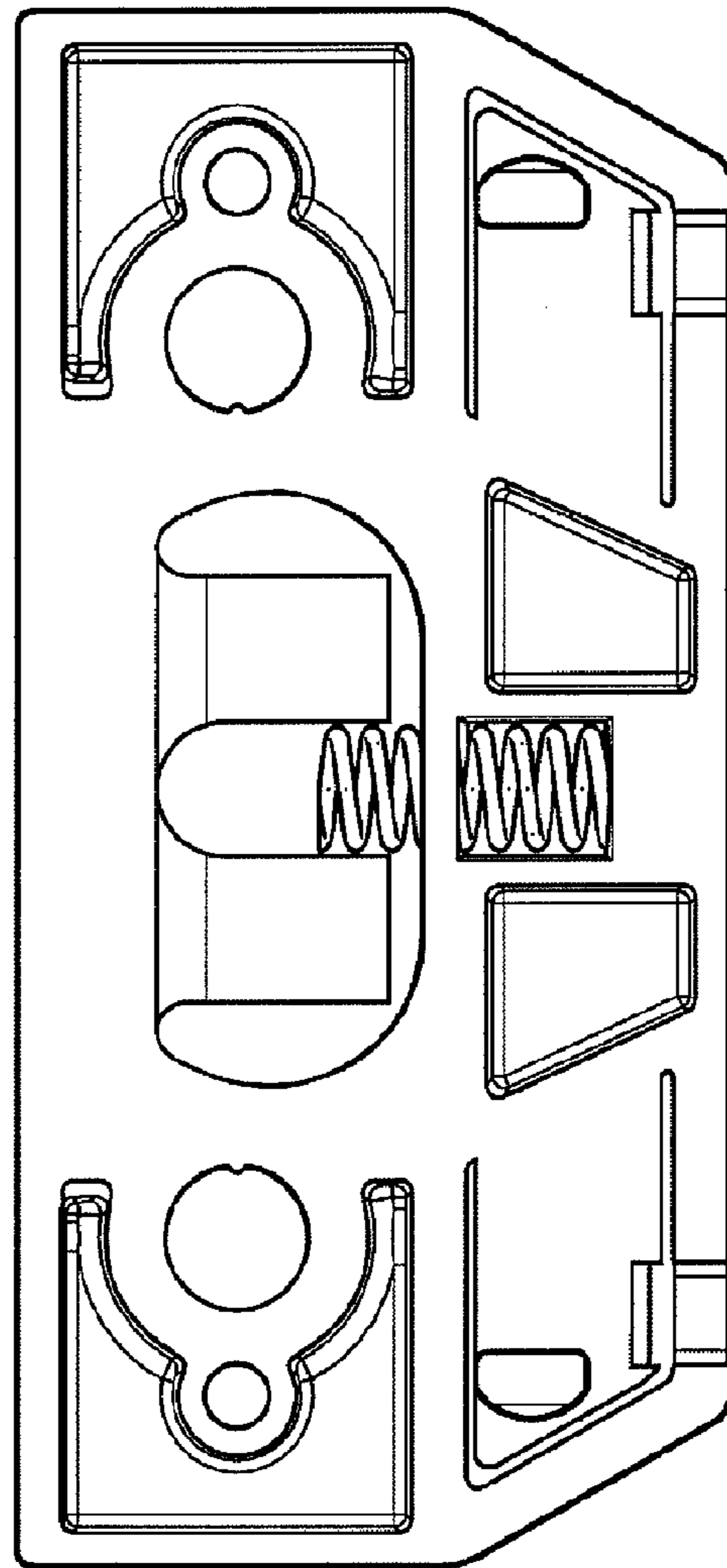


Fig. 7

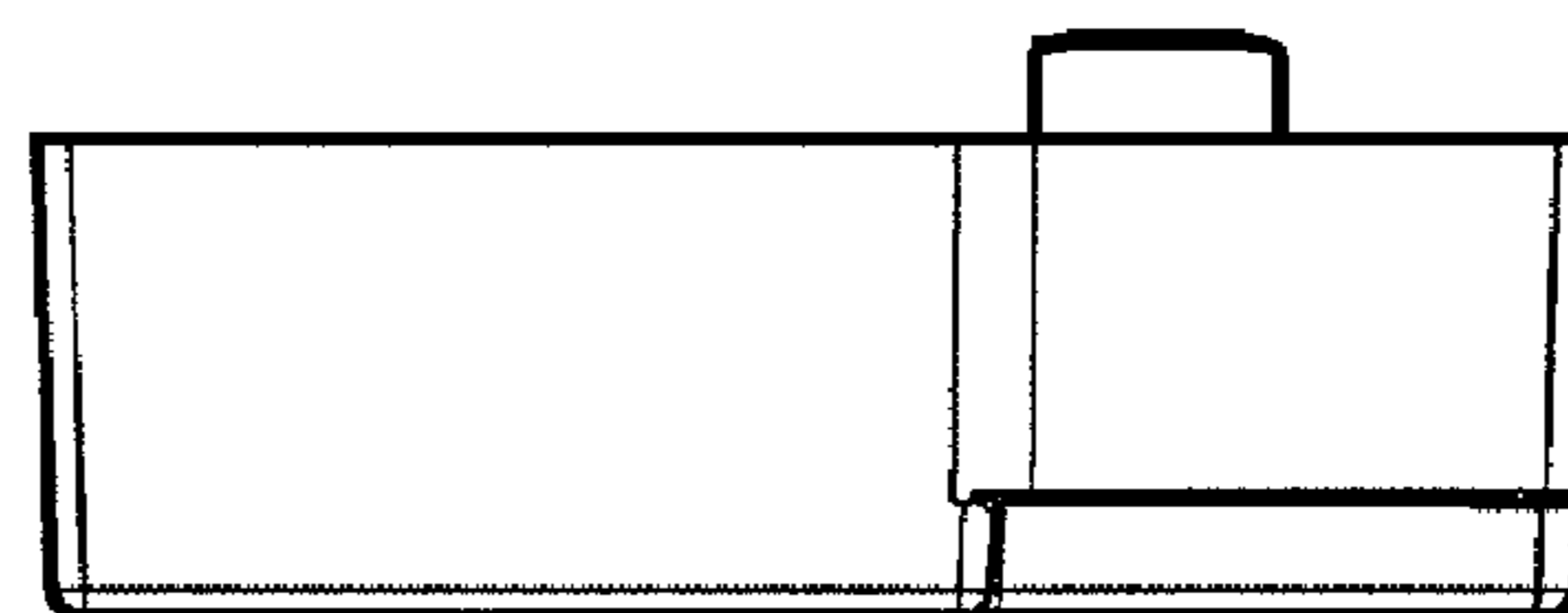


Fig. 8