



US00D620336S

(12) **United States Design Patent**
Jones et al.

(10) **Patent No.:** **US D620,336 S**
(45) **Date of Patent:** **** Jul. 27, 2010**

(54) **BENCH BLADE**

(75) Inventors: **Steven K. Jones**, Ottawa (CA); **Brian Ebbinghaus**, Kanata (CA)

(73) Assignee: **Lee Valley Tools, Ltd.**, Ottawa, ON (CA)

(**) Term: **14 Years**

(21) Appl. No.: **29/337,944**

(22) Filed: **Jun. 2, 2009**

(51) **LOC (9) Cl.** **08-05**

(52) **U.S. Cl.** **D8/71; D8/72**

(58) **Field of Classification Search** D8/70, D8/71, 72, 74; 144/286.1; 182/129; 248/222.12; 269/9, 45, 54.5, 88, 91, 99, 100, 101, 104, 269/114, 119, 141, 147, 156, 166, 170, 208, 269/246, 245, 249, 252, 258, 228, 900
See application file for complete search history.

(56) **References Cited**

U.S. PATENT DOCUMENTS

27,592 A	3/1860	Cooper	
95,337 A	9/1869	Goulden	
97,376 A	11/1869	Fenner	
623,175 A	4/1899	Palmer	
851,577 A	4/1907	Weaver	
1,269,262 A	6/1918	Crawford	
1,406,695 A	2/1922	Staudt	
1,479,209 A	1/1924	Topp	
1,954,708 A	4/1934	Mass	
2,560,525 A	7/1951	Nyl	
2,877,815 A	3/1959	Fonken	
3,339,912 A	9/1967	Stack	
4,084,803 A	4/1978	Beekenkamp	
4,335,873 A *	6/1982	Kiefer	269/228
D271,660 S	12/1983	Elmore et al.	

4,436,294 A *	3/1984	Irelan	269/6
4,468,018 A	8/1984	Vaizey	
4,524,960 A	6/1985	LPoire	
4,834,354 A	5/1989	Yang	
4,867,427 A	9/1989	Cunningham	
D318,409 S	7/1991	Garrett	
D339,728 S	9/1993	Lee	
5,553,838 A	9/1996	Lee	
5,899,418 A *	5/1999	Khokhar	248/73
6,286,823 B1 *	9/2001	Morghen	269/47

FOREIGN PATENT DOCUMENTS

DE 278666 10/1914

* cited by examiner

Primary Examiner—Antoine D Davis

(74) *Attorney, Agent, or Firm*—Kilpatrick Stockton LLP; John S. Pratt; Camilla C. Williams

(57) **CLAIM**

The ornamental design for a bench blade, as shown and described.

DESCRIPTION

FIG. 1 is a perspective view of the bench blade.

FIG. 2 is a side elevation view of the bench blade shown in FIG. 1.

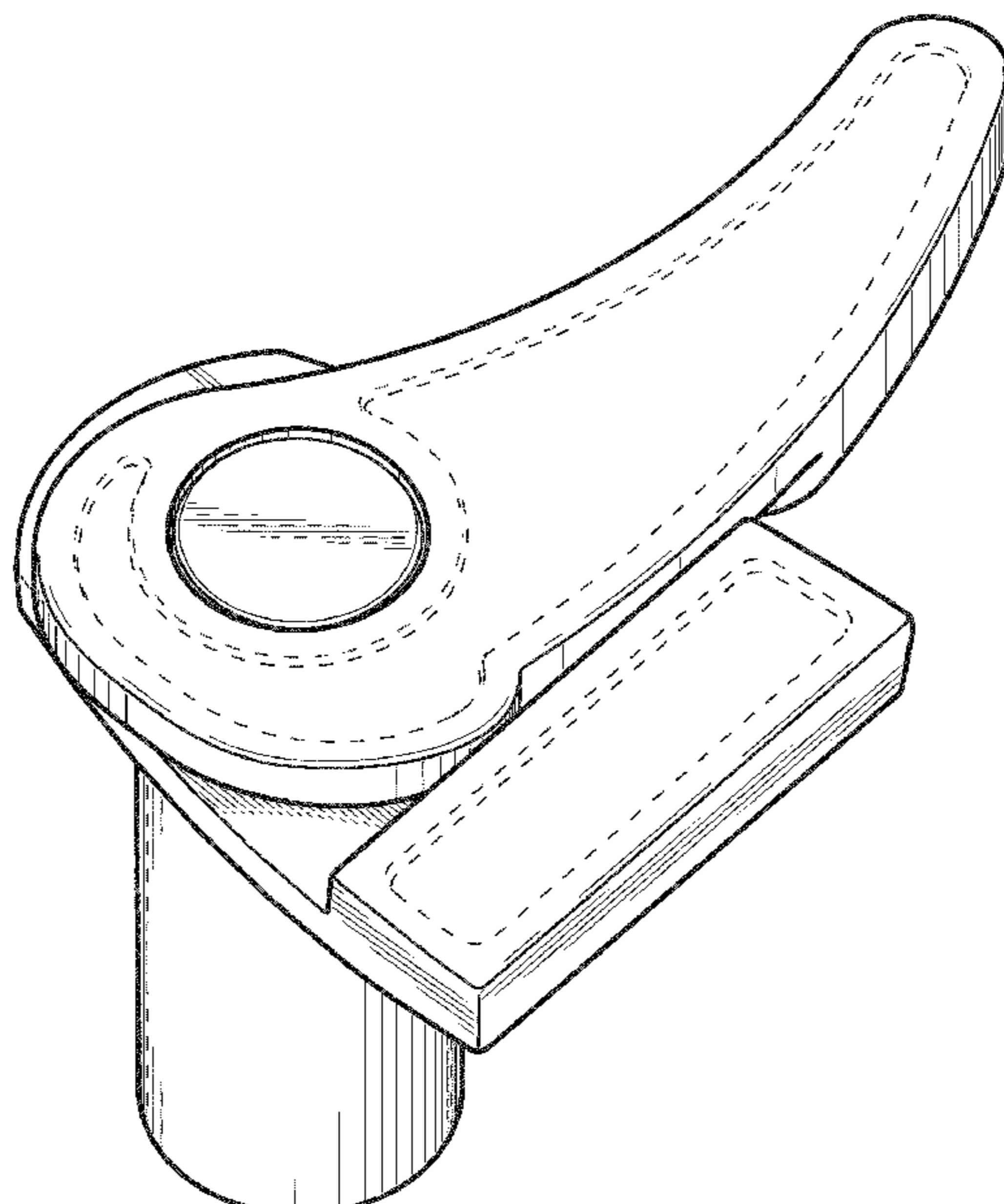
FIG. 3 is another side elevation view of the bench blade shown in FIG. 1.

FIG. 4 is a top plan view of the bench blade shown in FIG. 1; and,

FIG. 5 is a bottom plan view of the bench blade shown in FIG. 1.

The broken lines in the drawings form no part of the claimed design.

1 Claim, 3 Drawing Sheets



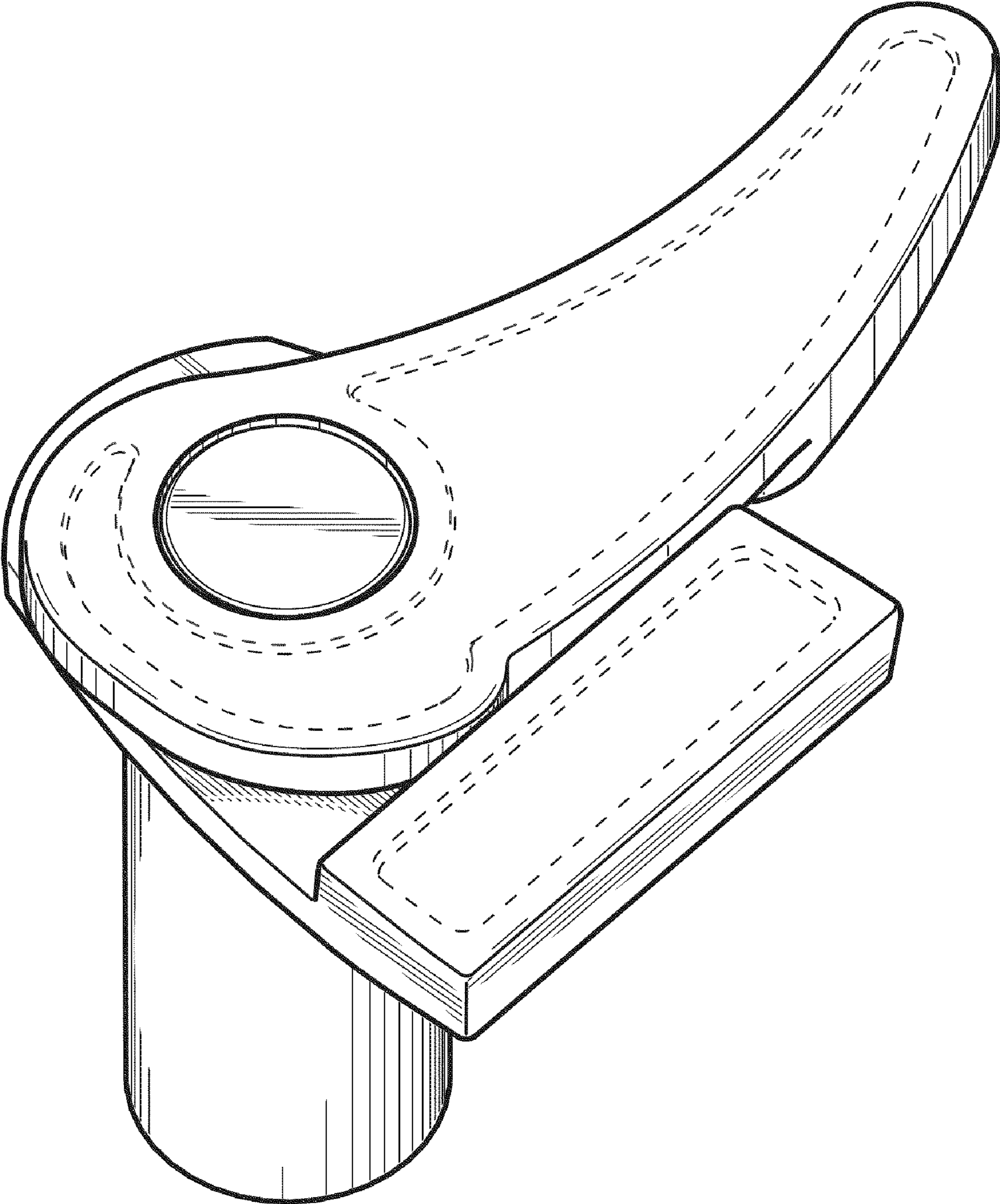


FIG. 1

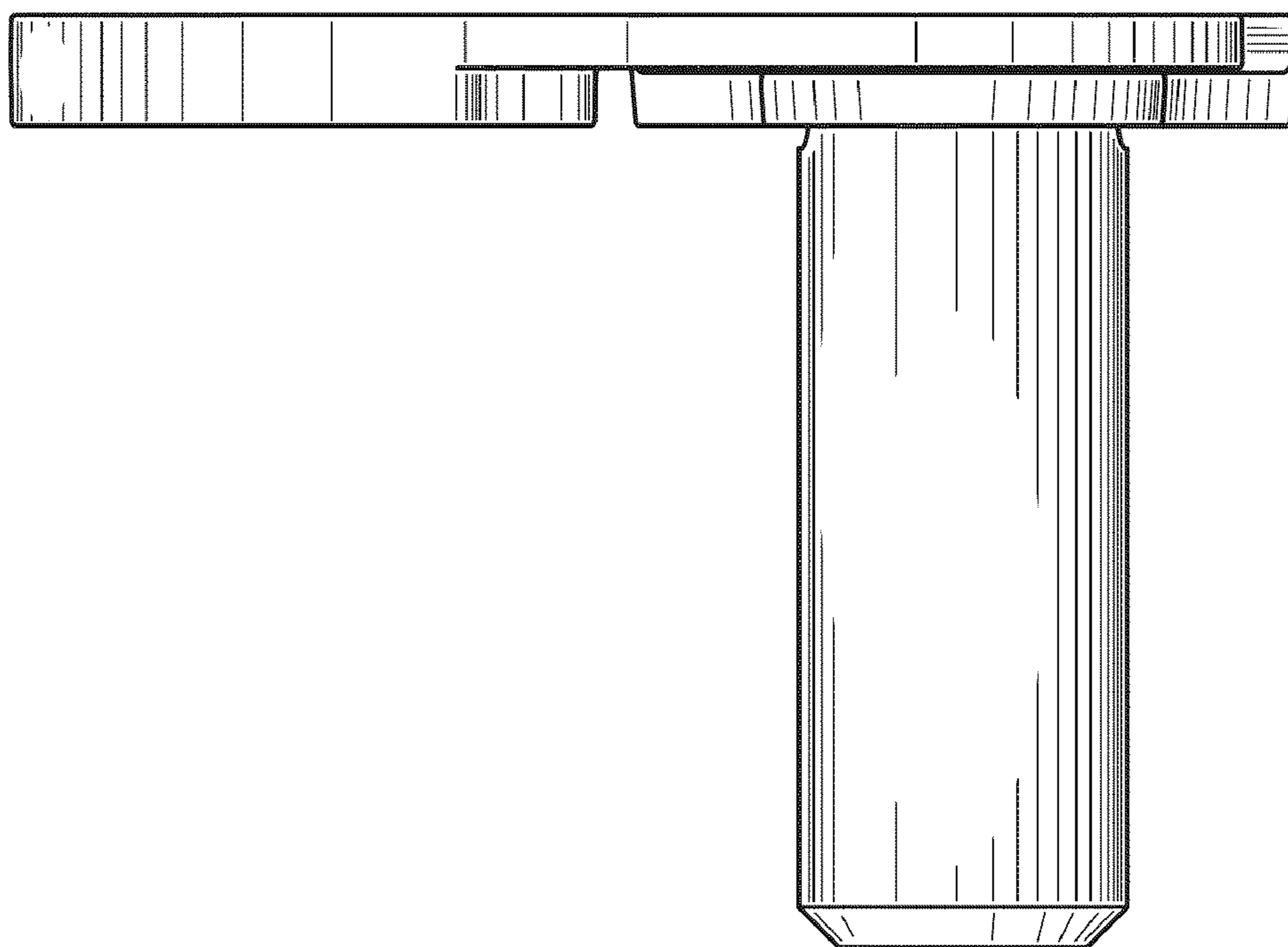


FIG. 2

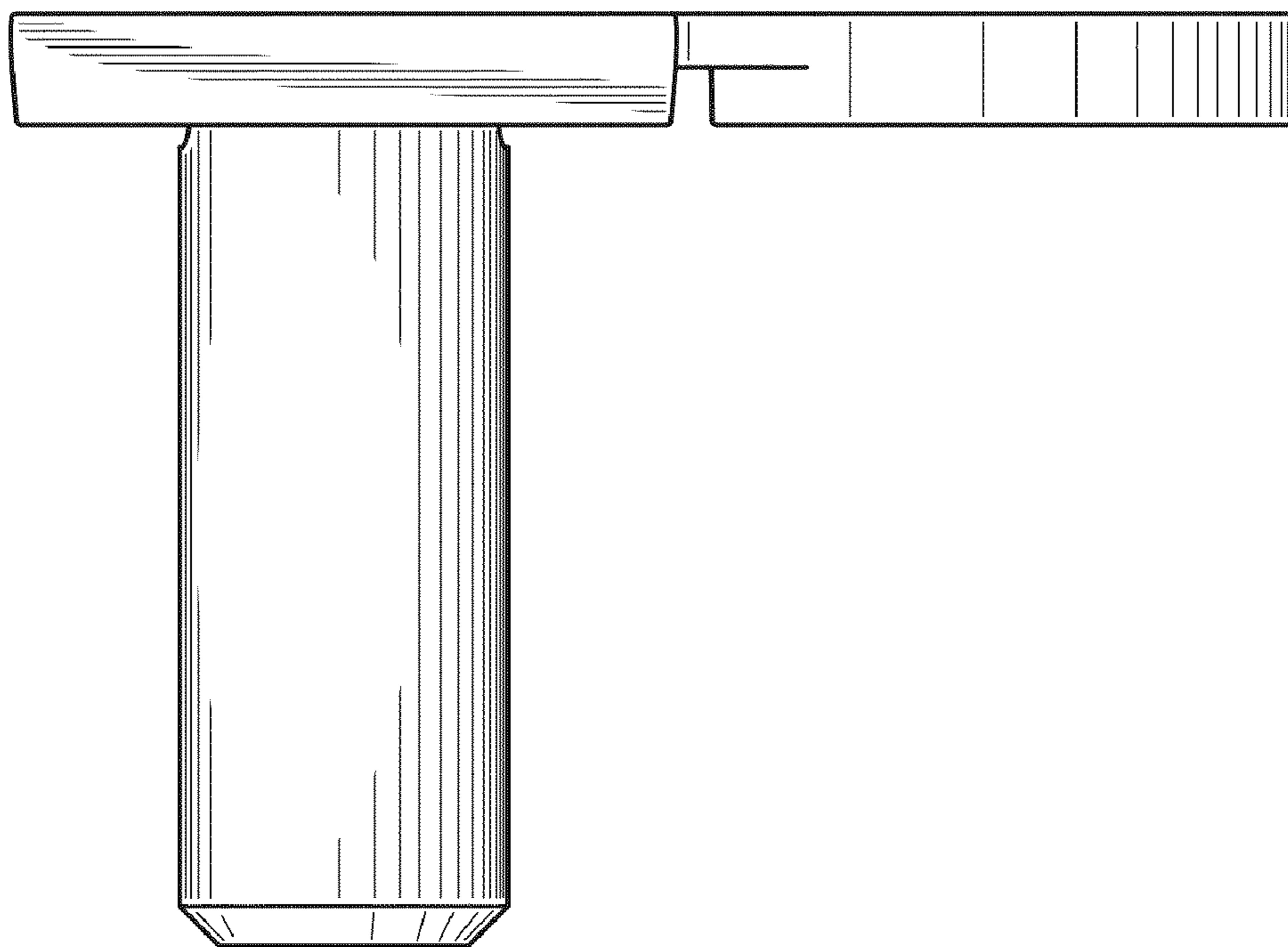


FIG. 3

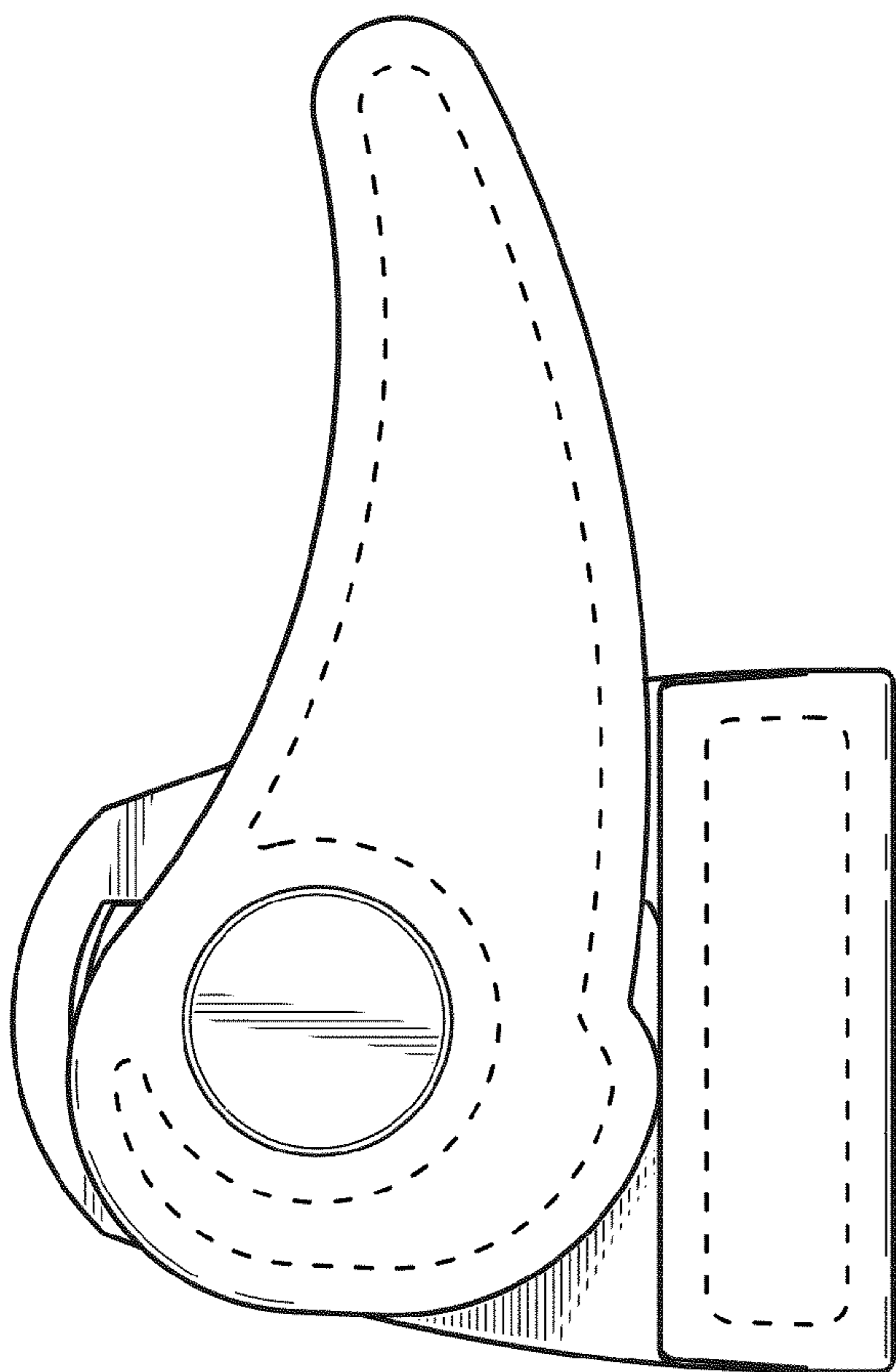


FIG. 4

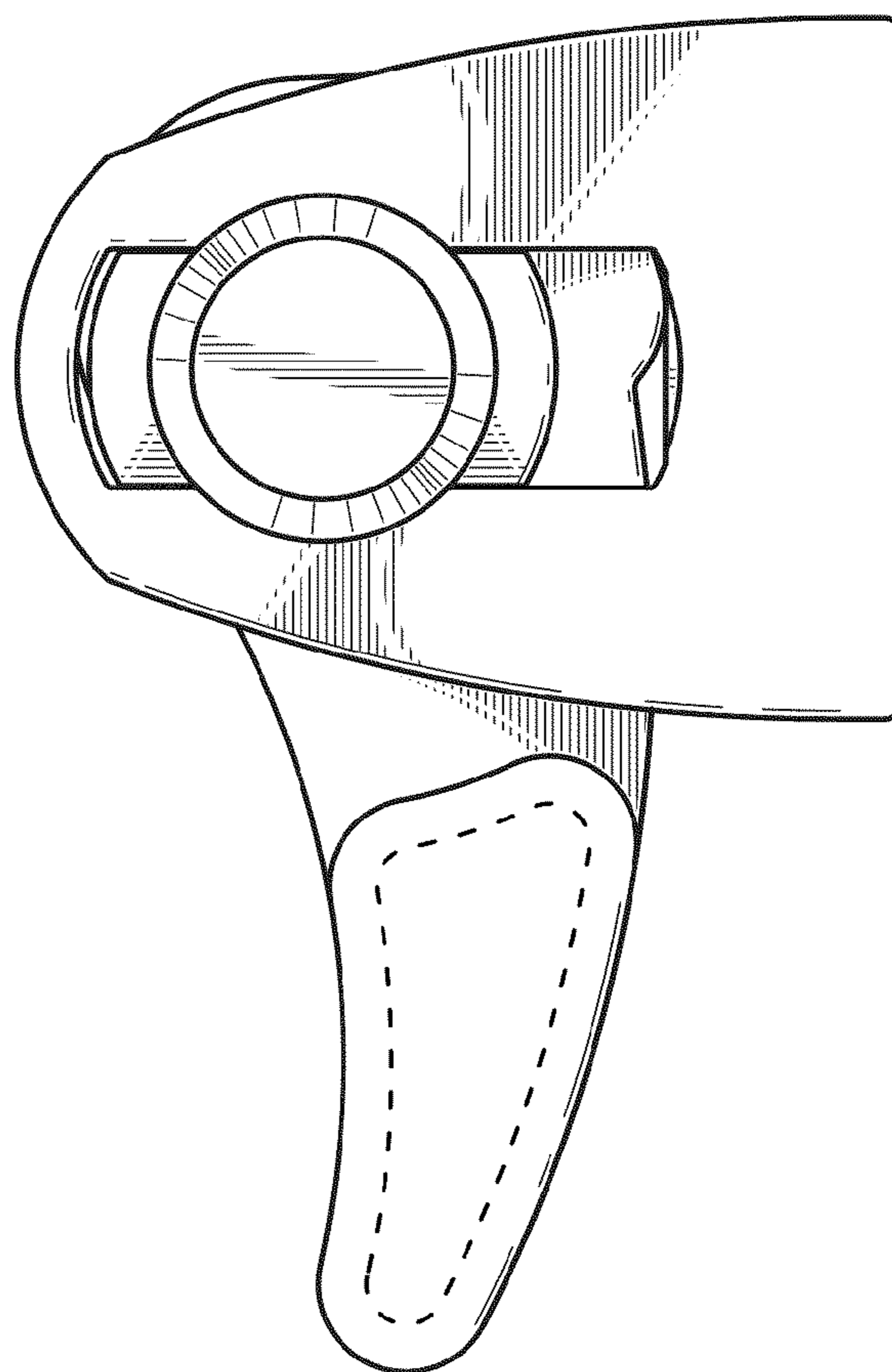


FIG. 5