



US00D620333S

(12) **United States Design Patent**
Collins

(10) **Patent No.:** **US D620,333 S**

(45) **Date of Patent:** **** Jul. 27, 2010**

(54) **FRAME FOR A PORTABLE WET SAW**

2008/0273994 A1* 11/2008 Sadkowski et al. 417/234

(75) Inventor: **Kipp P. Collins**, The Woodlands, TX
(US)

* cited by examiner

Primary Examiner—Antoine D Davis

(73) Assignee: **M-D Building Products, Inc.**,
Oklahoma City, OK (US)

(74) *Attorney, Agent, or Firm*—Tomlinson & O'Connell, PC

(**) Term: **14 Years**

(57) **CLAIM**

(21) Appl. No.: **29/336,553**

The ornamental design for a frame for a portable wet saw, as shown and described.

(22) Filed: **May 5, 2009**

DESCRIPTION

(51) **LOC (9) Cl.** **08-05**

FIG. 1 is a front elevational view showing my new design;

(52) **U.S. Cl.** **D8/70**

FIG. 2 is a back elevational view thereof;

(58) **Field of Classification Search** D8/70;

FIG. 3 is a right side elevational view thereof;

125/35; 123/2; 417/234; 455/3.02

FIG. 4 is a left side elevational view thereof;

See application file for complete search history.

FIG. 5 is a top plan view thereof; and,

(56) **References Cited**

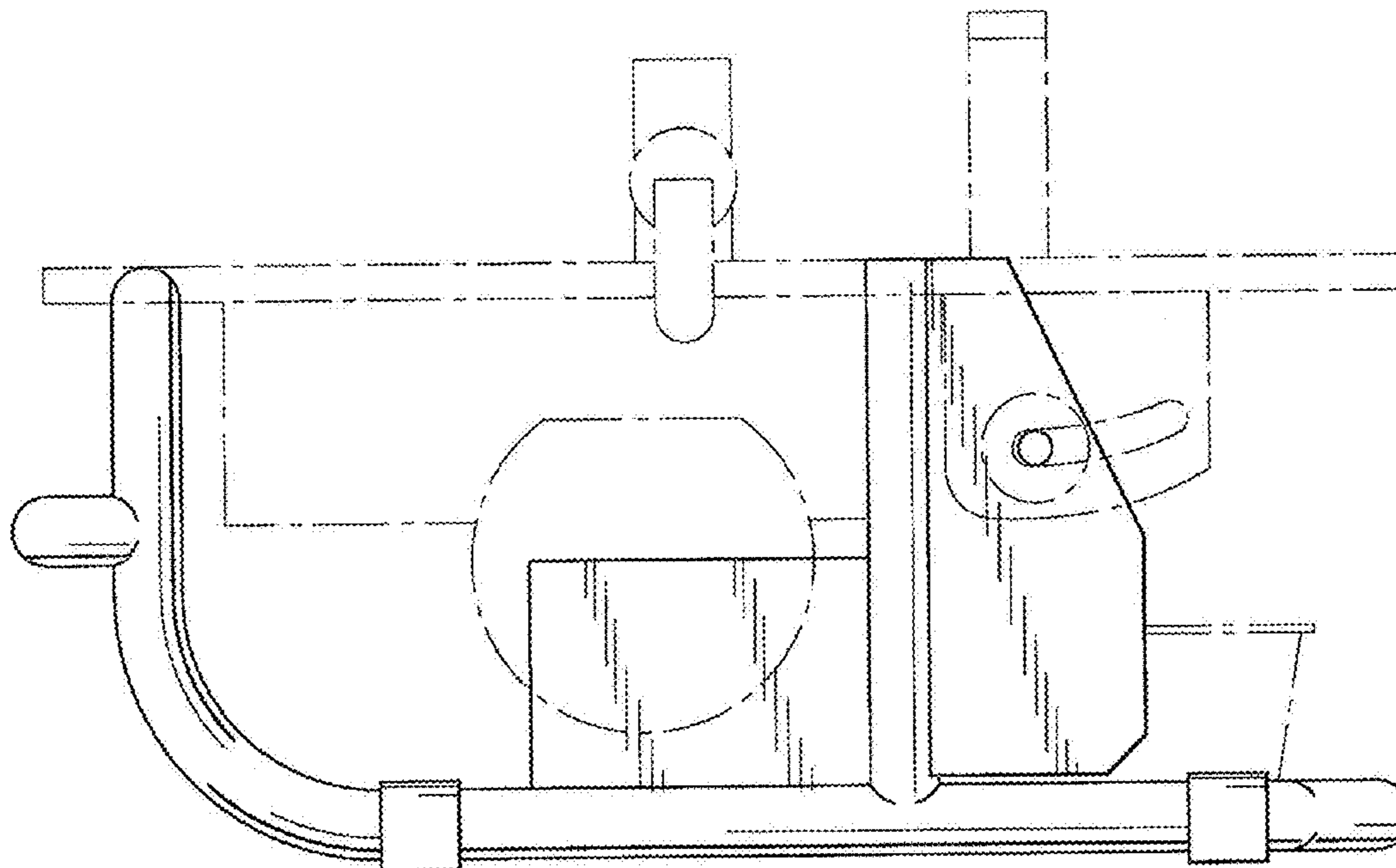
FIG. 6 is a bottom plan view thereof.

U.S. PATENT DOCUMENTS

The broken line showing of structural features is included for the purpose of illustrating non-claimed subject matter and forms no part of the claimed design.

| | | | | |
|-------------------|--------|--------------|-------|----------|
| D317,394 S * | 6/1991 | Goldstein | | D8/71 |
| 2004/0168653 A1 * | 9/2004 | Radtke | | 123/2 |
| 2005/0130583 A1 * | 6/2005 | Troutman | | 455/3.02 |
| 2006/0067836 A1 * | 3/2006 | Smith et al. | | 417/234 |

1 Claim, 6 Drawing Sheets



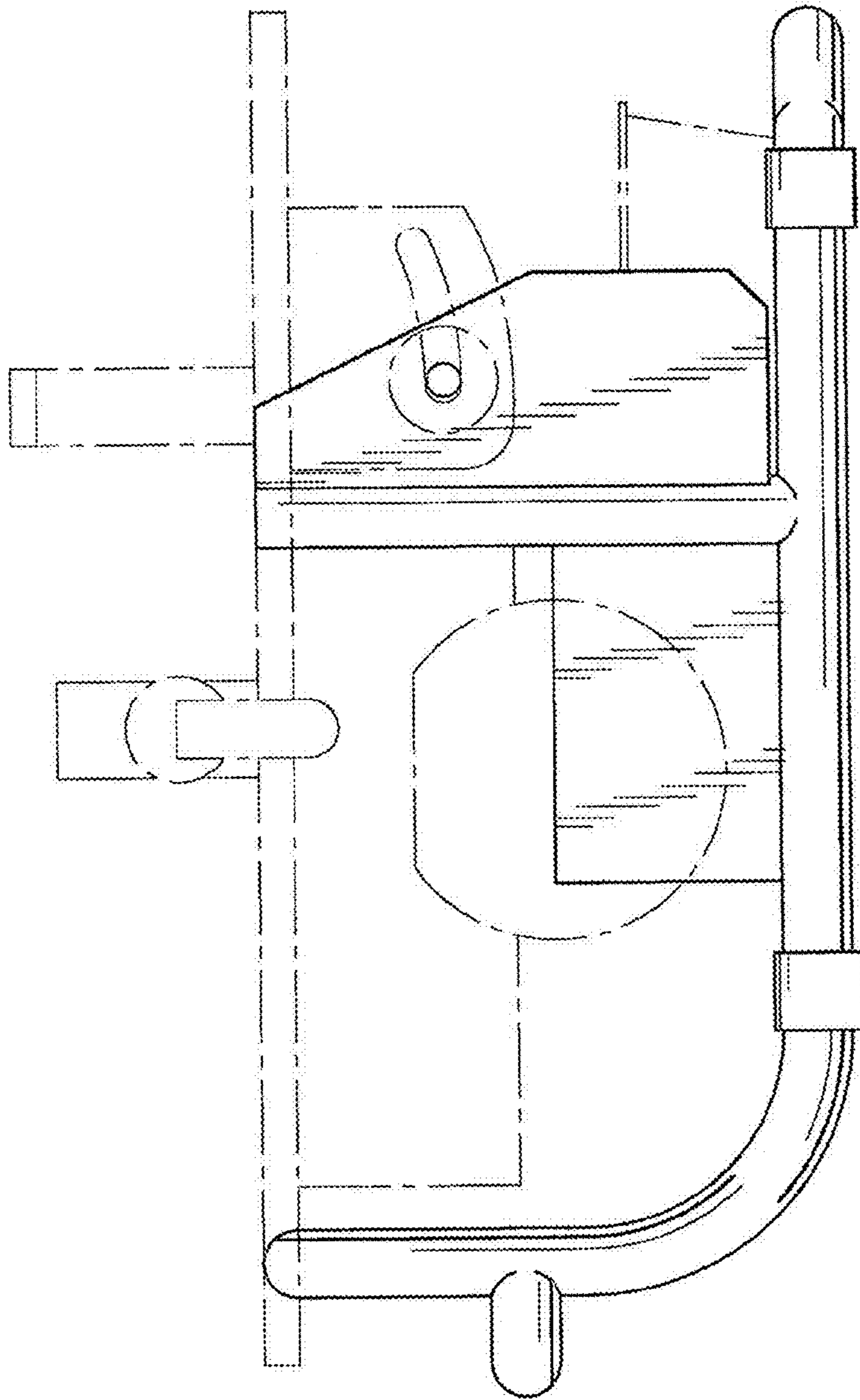
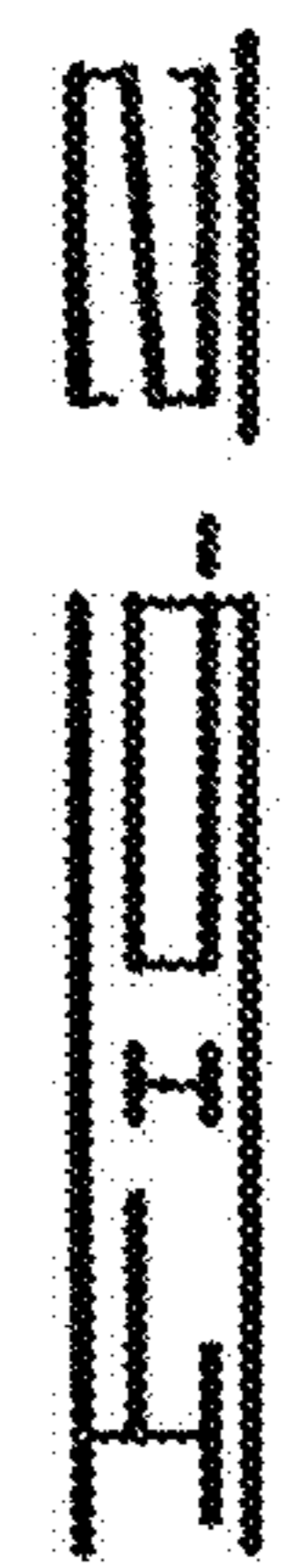
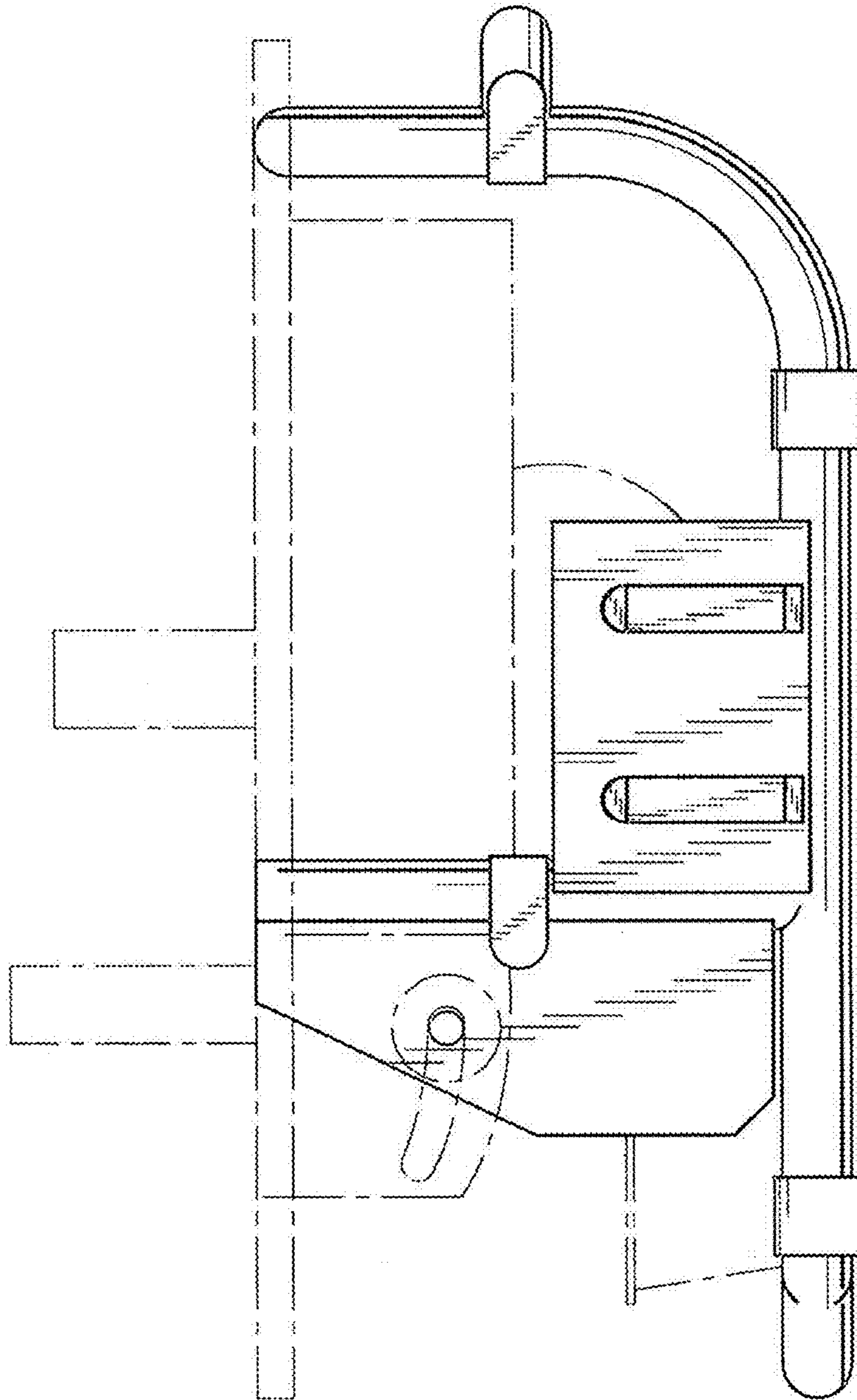
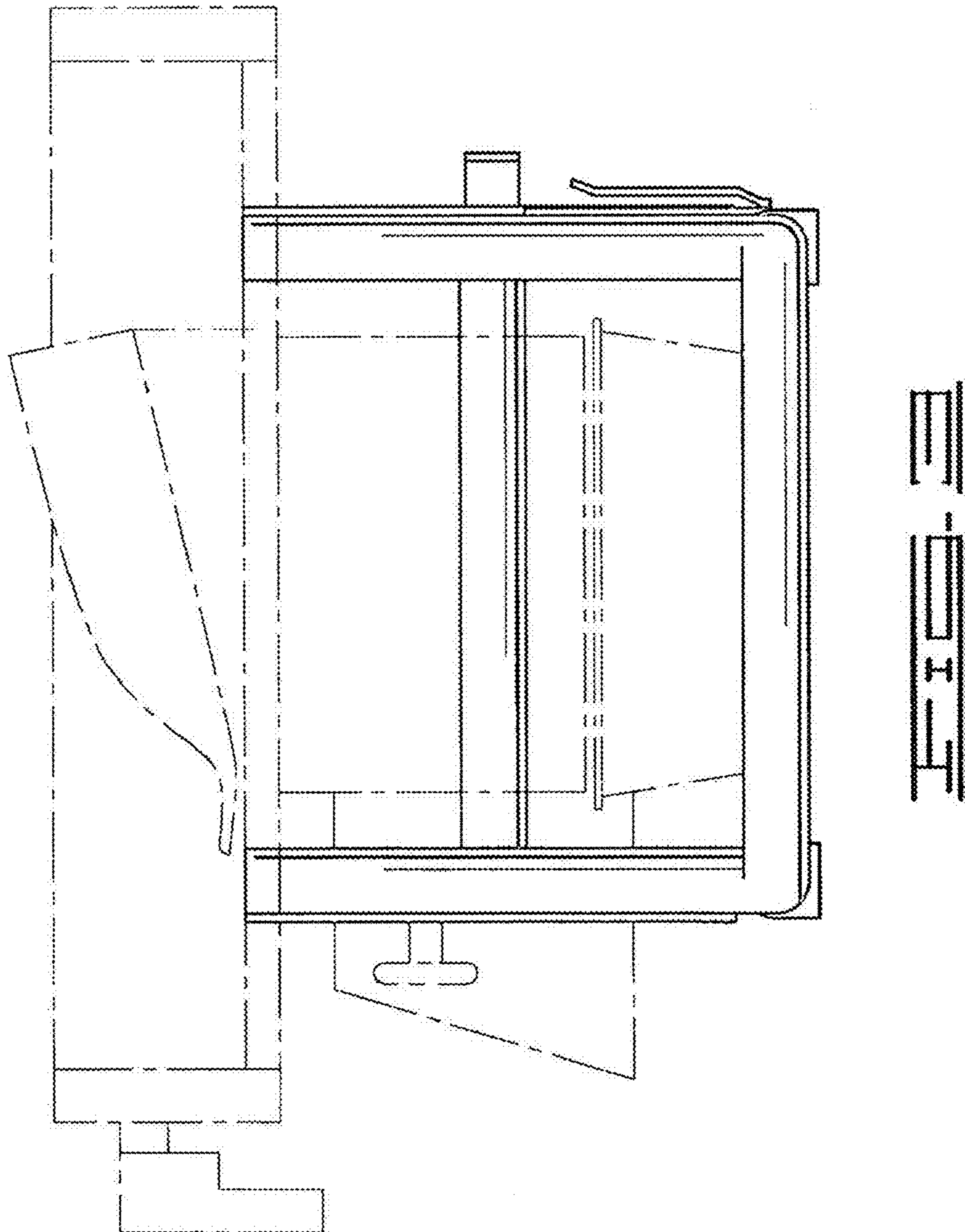


FIG. 1





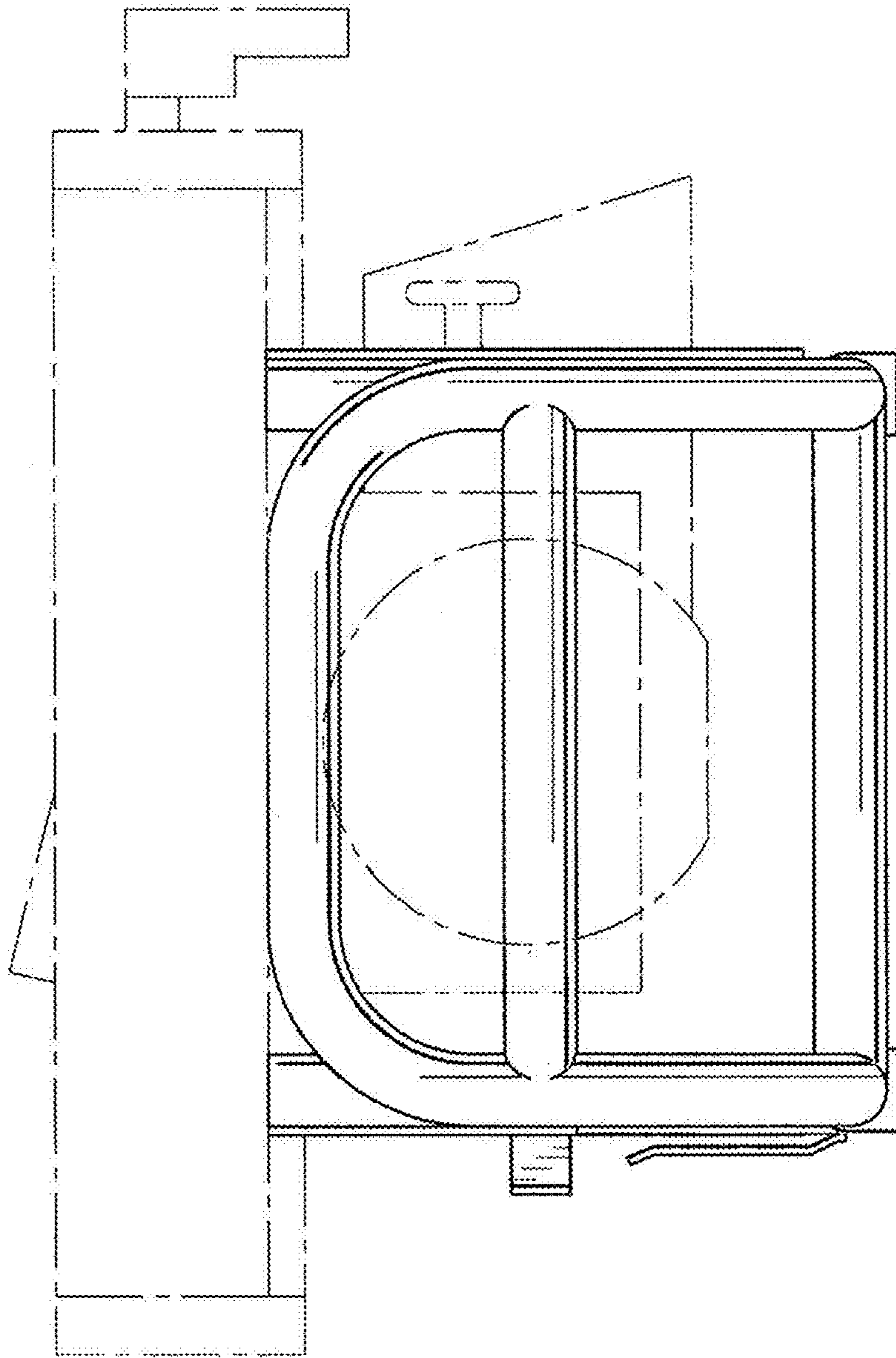


FIG. 4

