



US00D620332S

(12) **United States Design Patent**  
**Elek et al.**

(10) **Patent No.:** **US D620,332 S**  
(45) **Date of Patent:** **\*\* Jul. 27, 2010**

- (54) **CROSS-GRIND SHARPENER**
- (75) Inventors: **Bela Elek**, Wilmington, DE (US);  
**Daniel D. Friel, Sr.**, Greenville, DE (US)
- (73) Assignee: **Edgecraft Corporation**, Avondale, PA (US)
- (\*\*) Term: **14 Years**
- (21) Appl. No.: **29/356,250**
- (22) Filed: **Feb. 23, 2010**

5,245,791 A	9/1993	Bigliano	
5,611,726 A	3/1997	Friel	
D409,891 S	5/1999	Friel	
6,012,971 A	1/2000	Friel	
6,113,476 A	9/2000	Friel	
6,267,652 B1	7/2001	Friel	
6,802,763 B1 *	10/2004	Leung	..... 451/267
6,863,600 B2	3/2005	Friel	
6,875,093 B2	4/2005	Friel	
D542,616 S	5/2007	Elek	
D543,430 S *	5/2007	Barr et al.	..... D8/63
7,235,004 B2	6/2007	Friel	
D567,611 S *	4/2008	Elek et al.	..... D8/63
D575,124 S *	8/2008	Smith	..... D8/63
7,517,275 B2	4/2009	Friel	
2003/0236061 A1 *	12/2003	Li	..... 451/193
2004/0077296 A1 *	4/2004	Friel et al.	..... 451/259

**Related U.S. Application Data**

- (63) Continuation of application No. 29/341,538, filed on Aug. 7, 2009, now abandoned.

- (51) **LOC (9) Cl.** ..... **08-05**
- (52) **U.S. Cl.** ..... **D8/63**
- (58) **Field of Classification Search** ..... D8/63,  
D8/93, 34, 91, 35; D7/698; 451/45, 267,  
451/259, 198, 193, 177, 555, 132, 194, 241;  
36/31; 76/86-89; 30/138  
See application file for complete search history.

\* cited by examiner

*Primary Examiner*—Austin Murphy

(74) *Attorney, Agent, or Firm*—Connolly Bove Lodge & Hutz

(57) **CLAIM**

The ornamental design for a cross-grind sharpener, as shown and described.

**DESCRIPTION**

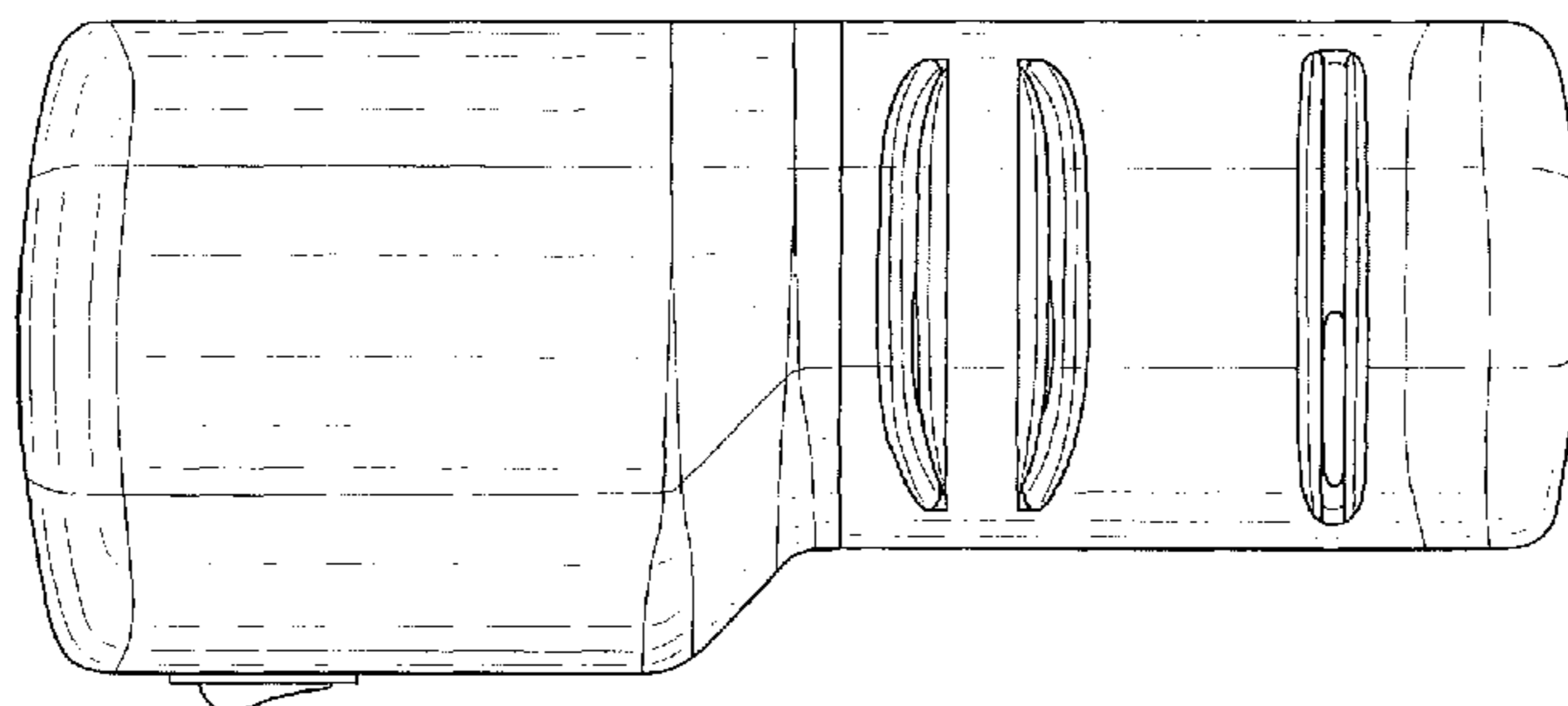
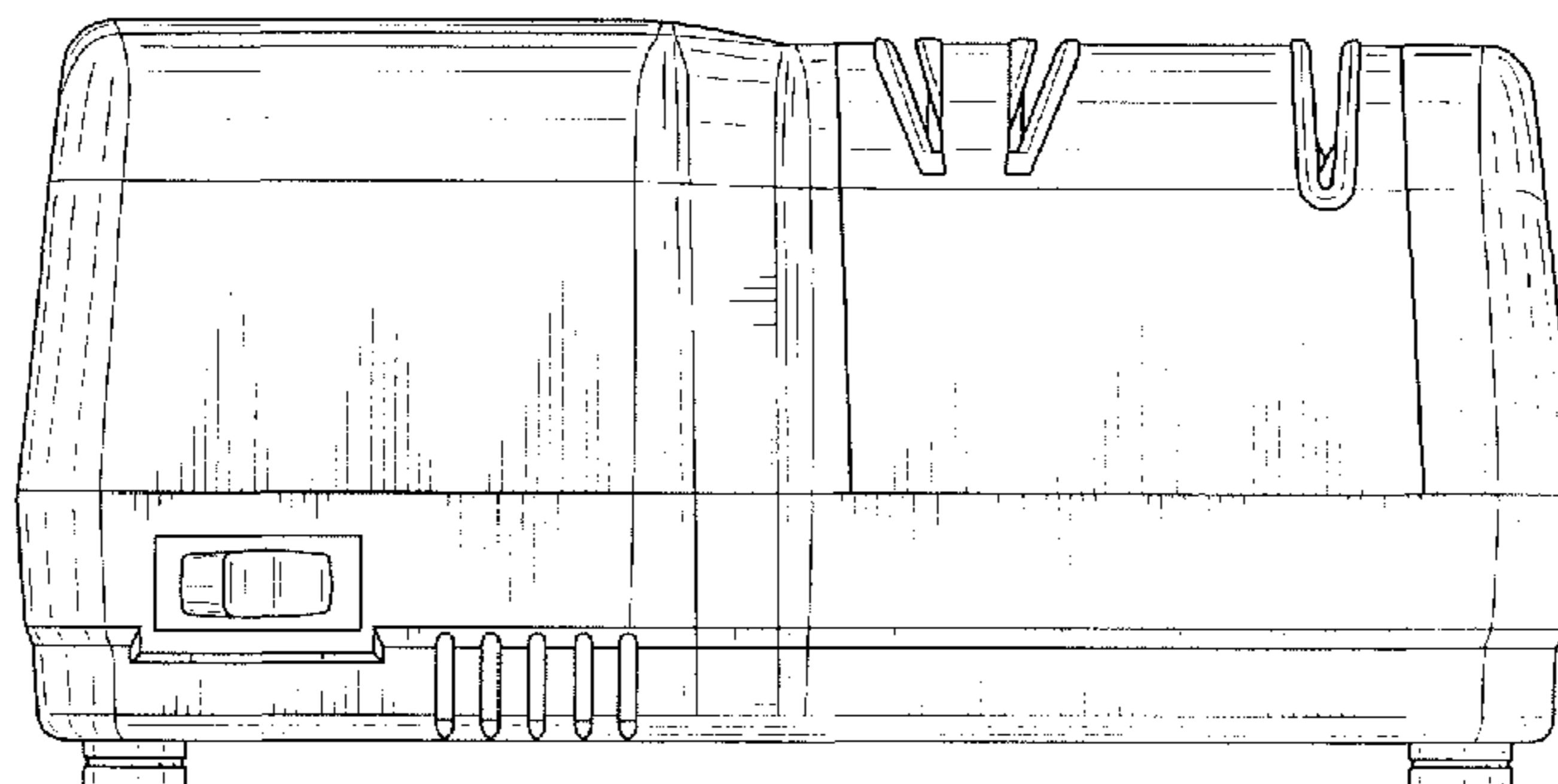
FIG. 1 is a front elevational view of a cross-grind sharpener showing our new design,  
 FIG. 2 is a rear elevational view thereof;  
 FIG. 3 is a top plan view thereof;  
 FIG. 4 is a bottom plan view thereof;  
 FIG. 5 is a right side view thereof; and,  
 FIG. 6 is a left side view thereof.

**1 Claim, 3 Drawing Sheets**

(56) **References Cited**

**U.S. PATENT DOCUMENTS**

D202,799 S *	11/1965	Fano et al.	..... D8/63
4,627,194 A	12/1986	Friel	
4,716,689 A	1/1988	Friel	
4,807,399 A	2/1989	Friel	
D303,209 S	9/1989	Friel	
D310,620 S	9/1990	Friel	
5,005,319 A	4/1991	Friel	
D328,410 S	8/1992	Friel	
5,148,634 A	9/1992	Bigliano	



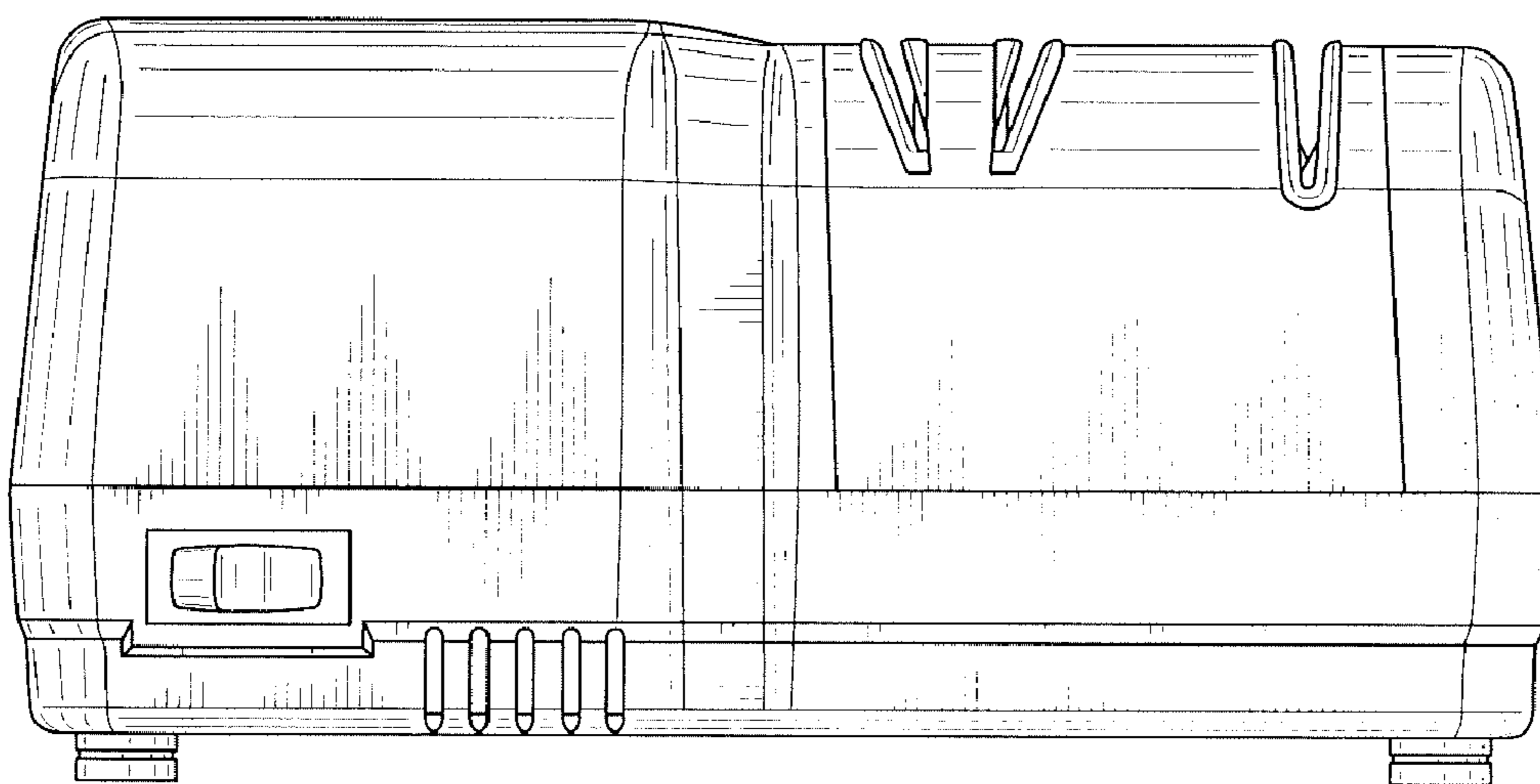


FIG. 1

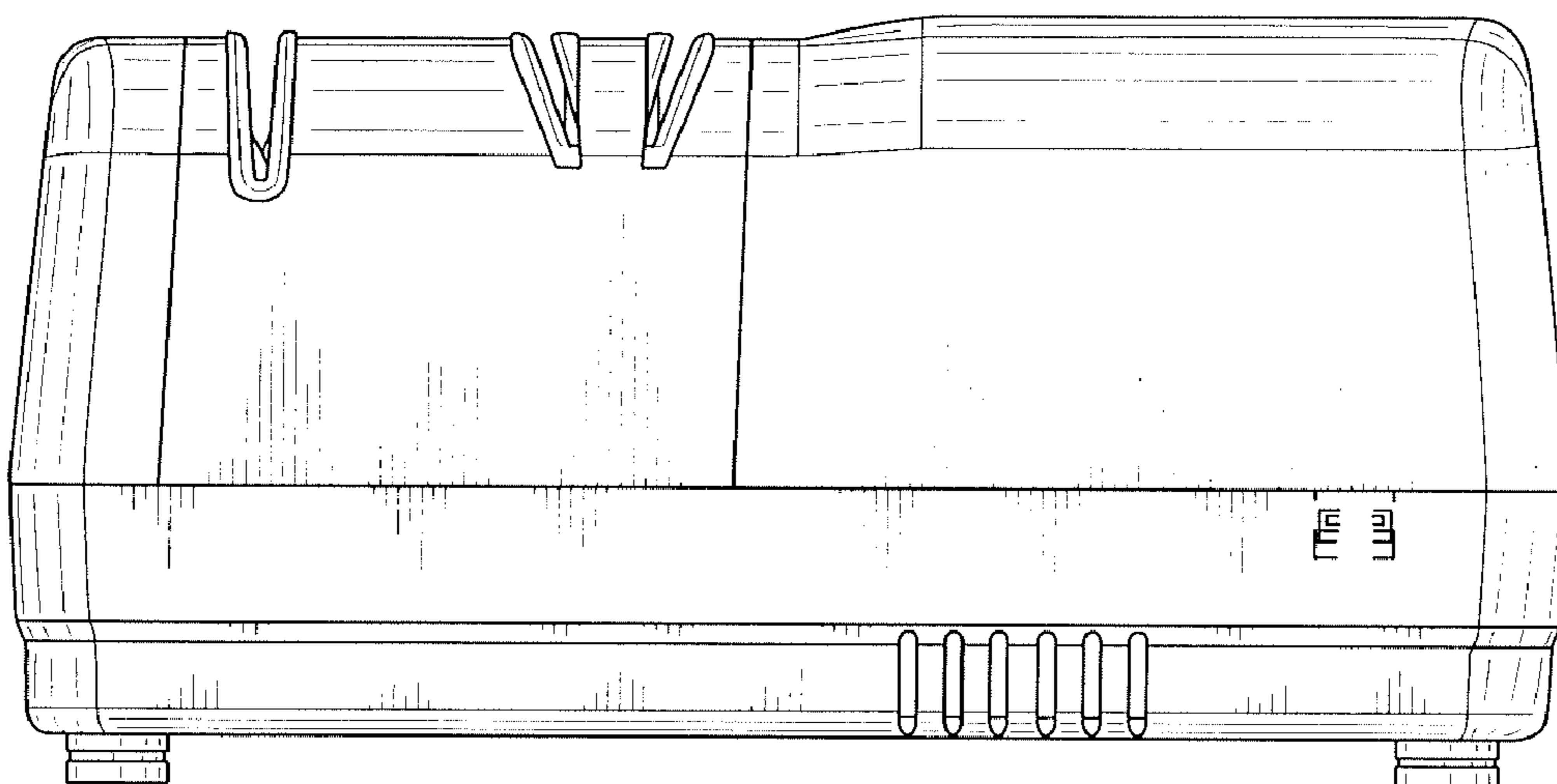


FIG. 2

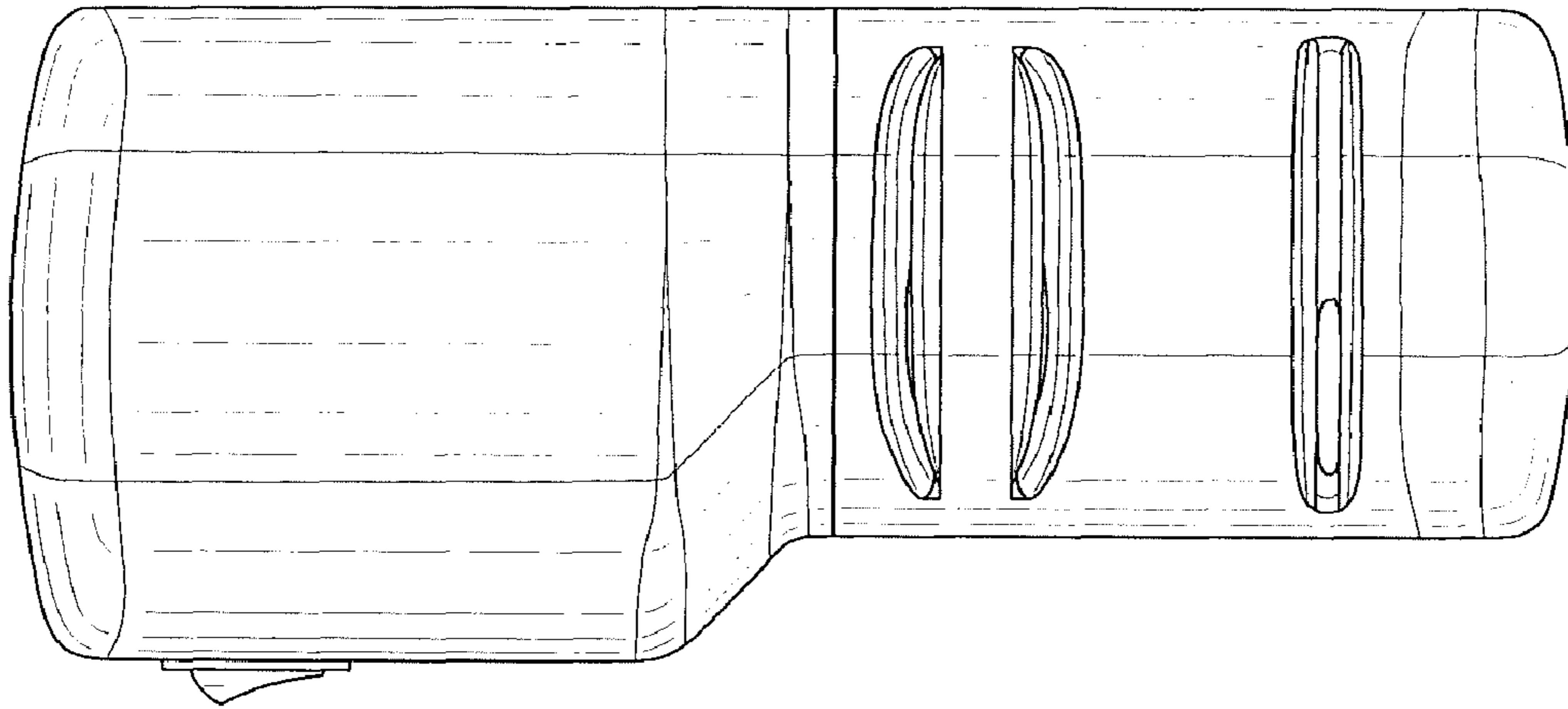


FIG. 3

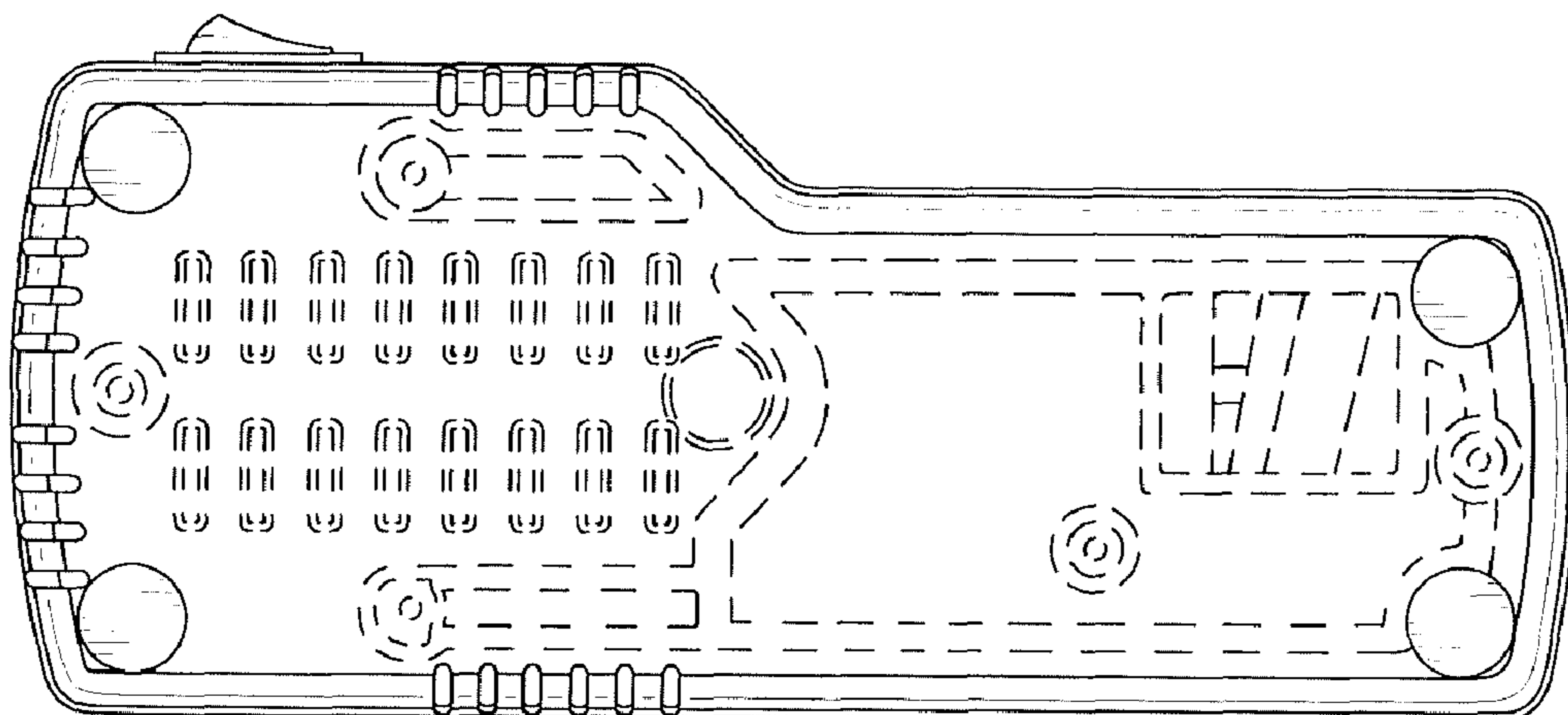


FIG. 4

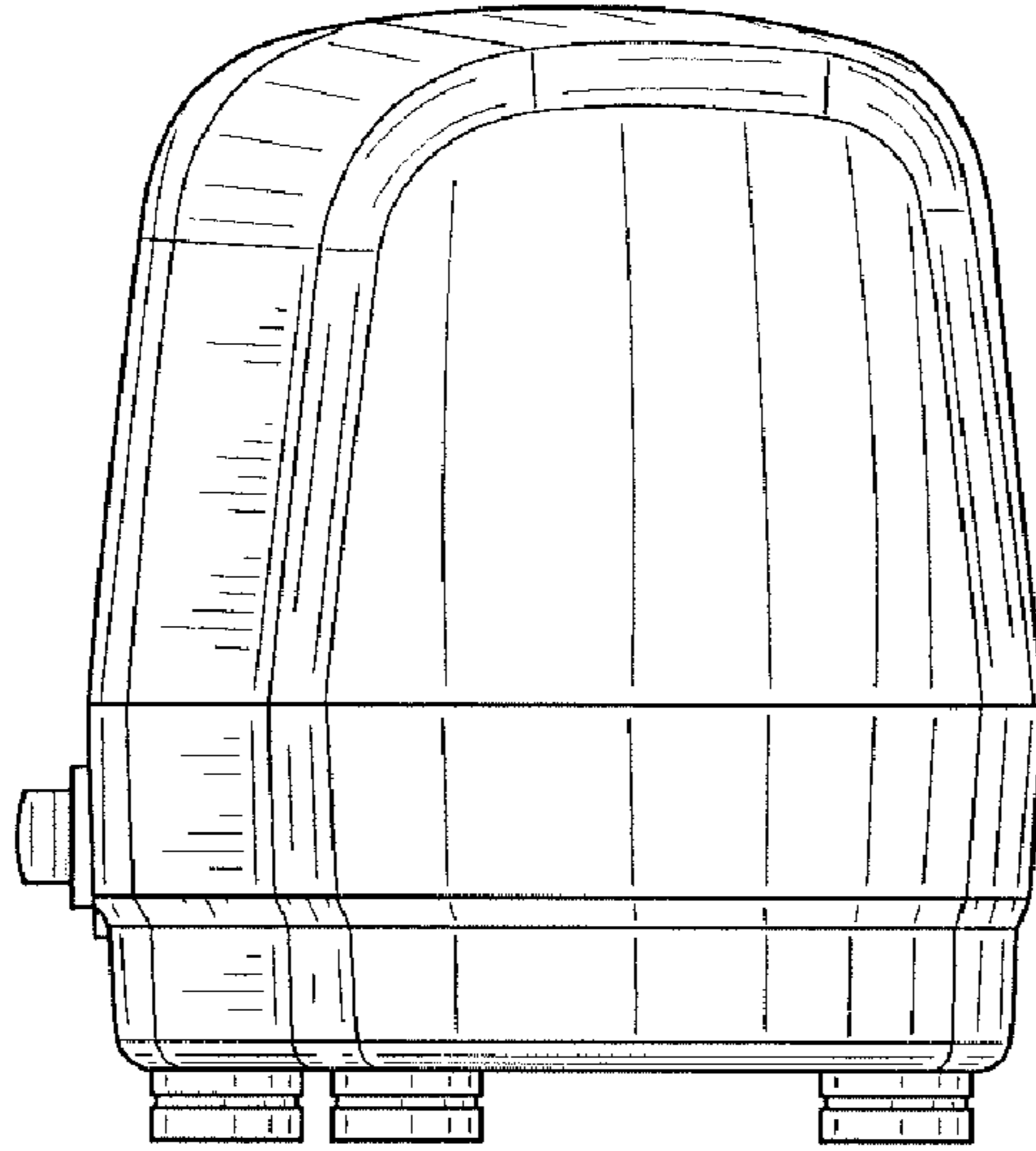


FIG. 5

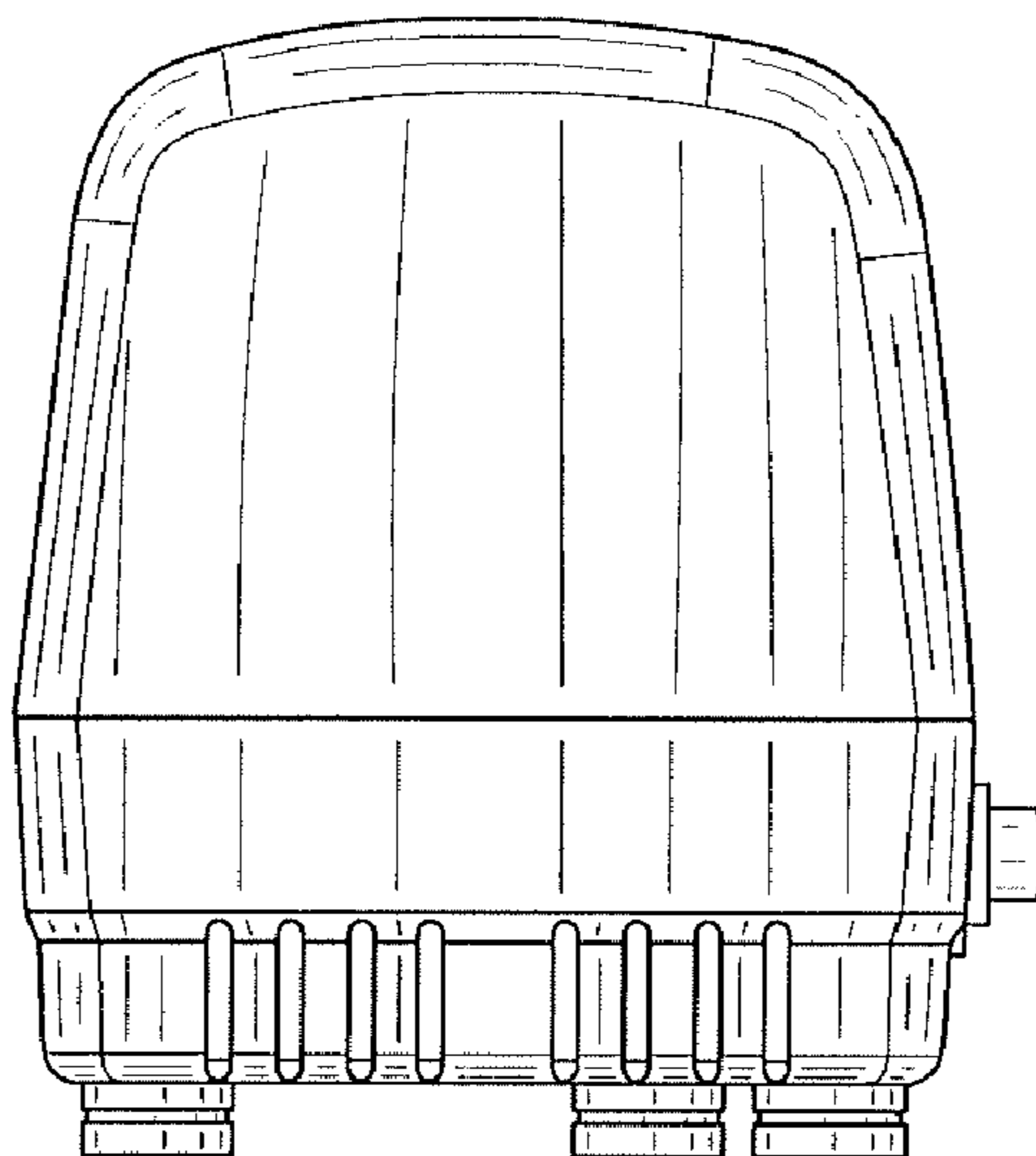


FIG. 6