



US00D620329S

(12) **United States Design Patent**
Chance

(10) **Patent No.:** **US D620,329 S**
(45) **Date of Patent:** **** Jul. 27, 2010**

(54) **CHAMPAGNE OPENER**

(76) Inventor: **Allen Chance**, P.O. Box 107121, Marina
Del Rey, CA (US) 90295

(**) Term: **14 Years**

(21) Appl. No.: **29/333,235**

(22) Filed: **Mar. 4, 2009**

(51) **LOC (9) Cl.** **07-06**

(52) **U.S. Cl.** **D8/42; D8/56**

(58) **Field of Classification Search** D8/14,
D8/16-19, 33-43, 52-58, 71, 72, 80, 89,
D8/105; 7/113, 151-156; 81/3.07, 3.09,
81/3.2, 3.27, 3.29, 3.31, 3.35, 3.37, 3.4, 3.45,
81/3.48, 3.49, 3.55

See application file for complete search history.

(56) **References Cited**

U.S. PATENT DOCUMENTS

D187,042	S	*	1/1960	Winkler	D8/39
D245,393	S	*	8/1977	Madsen et al.	D8/18
4,702,007	A	*	10/1987	Nomura et al.	30/423
D296,411	S	*	6/1988	Madsen et al.	D8/18
D382,453	S	*	8/1997	Drinkwater	D8/40

D451,354	S	*	12/2001	Liu	D8/57
D506,915	S	*	7/2005	Marshall et al.	D8/52
D590,678	S	*	4/2009	Tong	D8/57
2006/0254390	A1	*	11/2006	Leslie	81/3.4
2007/0143929	A1	*	6/2007	Selin	7/151

* cited by examiner

Primary Examiner—Caron Veynar
Assistant Examiner—Garth Rademaker

(57) **CLAIM**

The ornamental design for a champagne opener, as shown and described.

DESCRIPTION

FIG. 1 is a bottom perspective view of a champagne opener showing my new design;

FIG. 2 is a left side perspective view thereof;

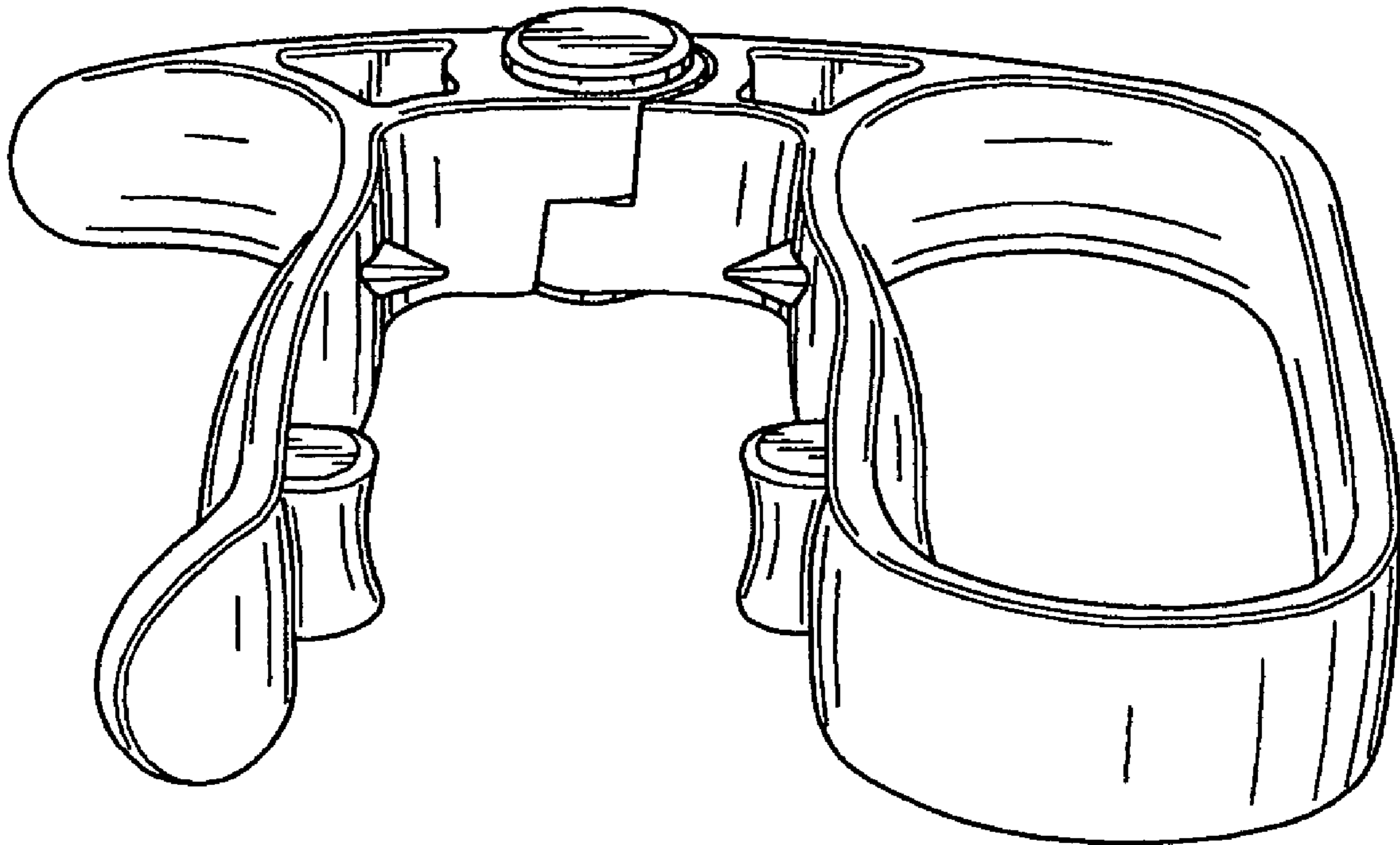
FIG. 3 is a top perspective view thereof;

FIG. 4 is a right side perspective view thereof; and,

FIG. 5 is a back elevation view thereof.

The claimed is used to open champagne bottles.

1 Claim, 2 Drawing Sheets



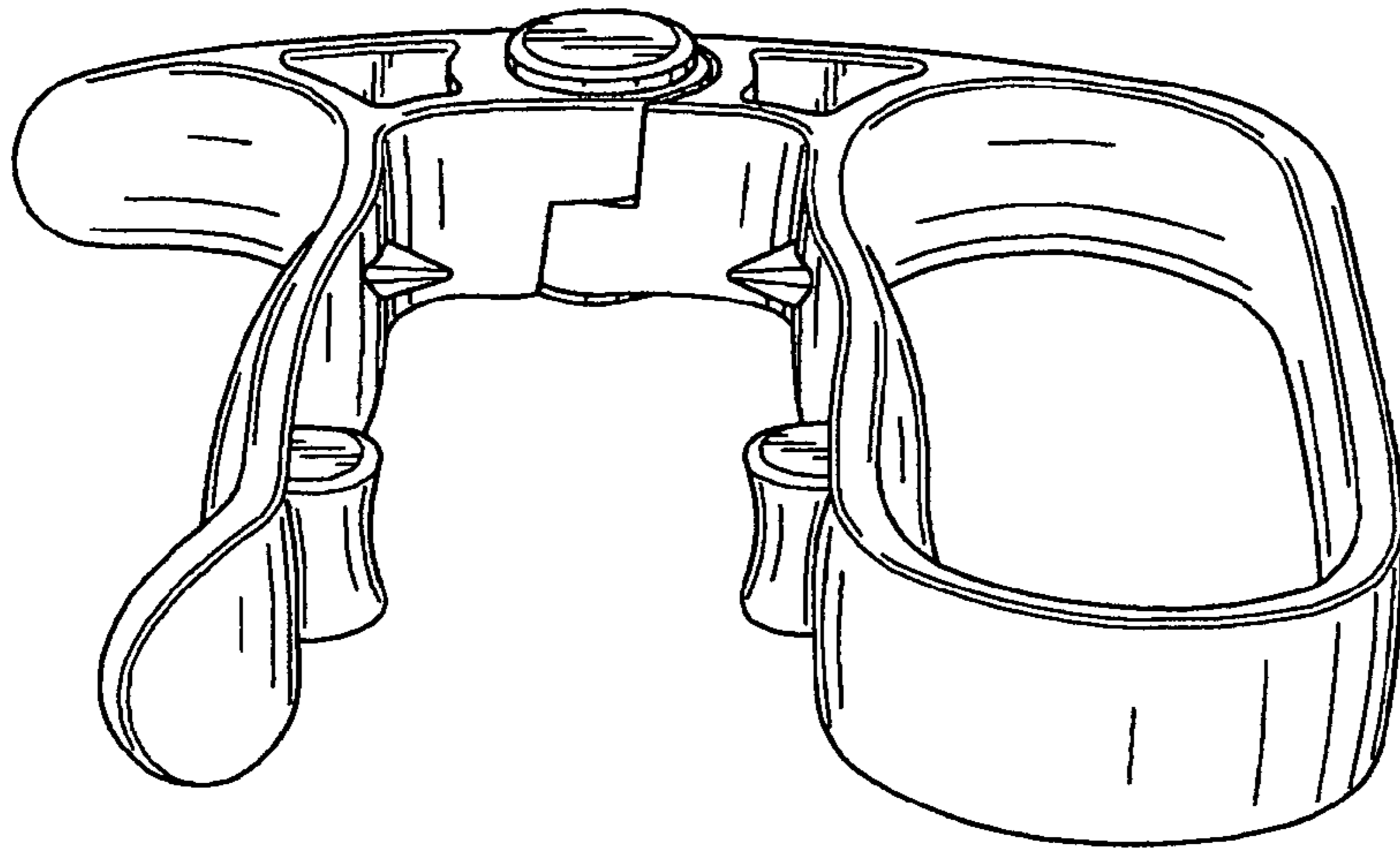


FIG. 1

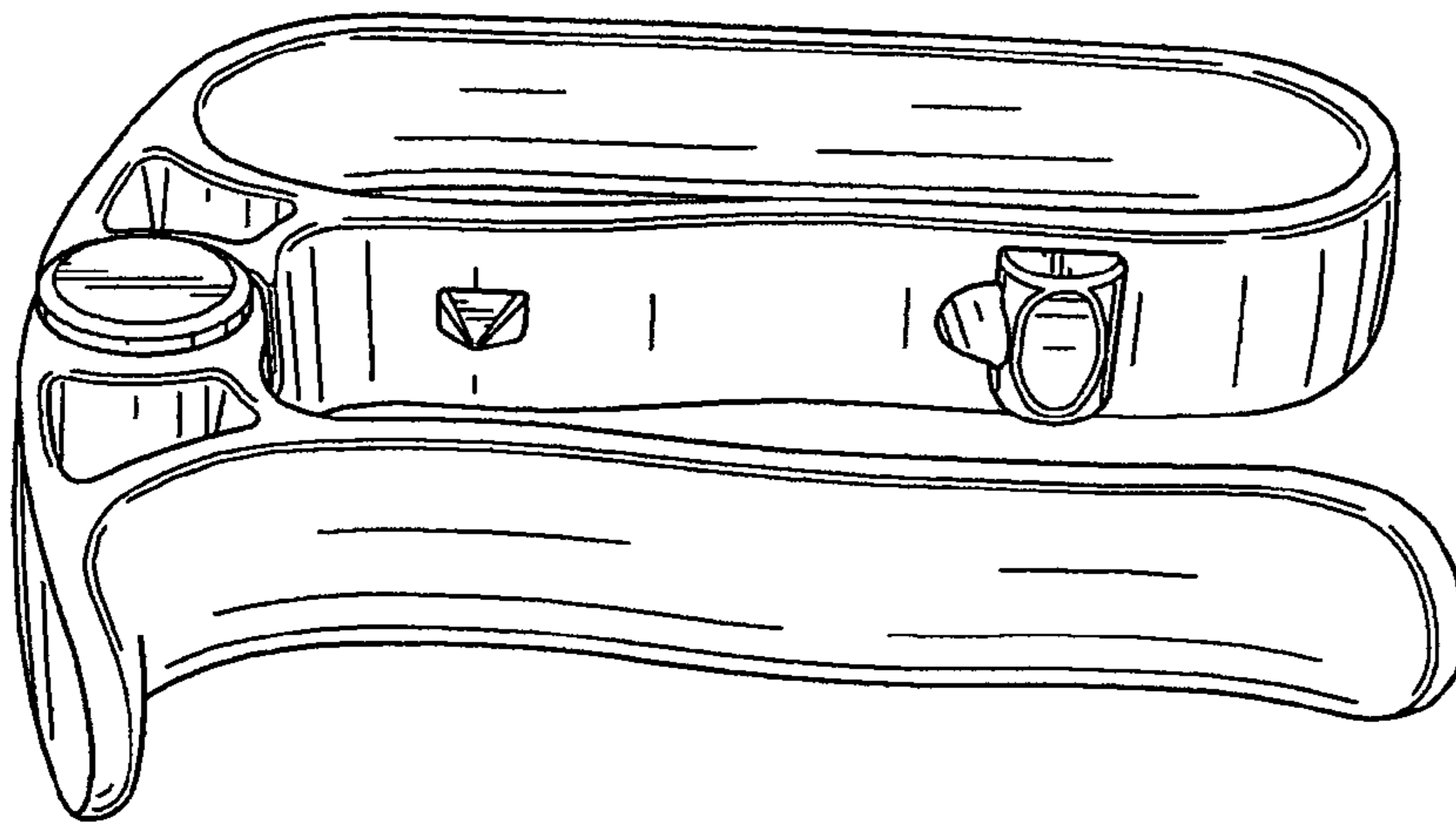


FIG. 2

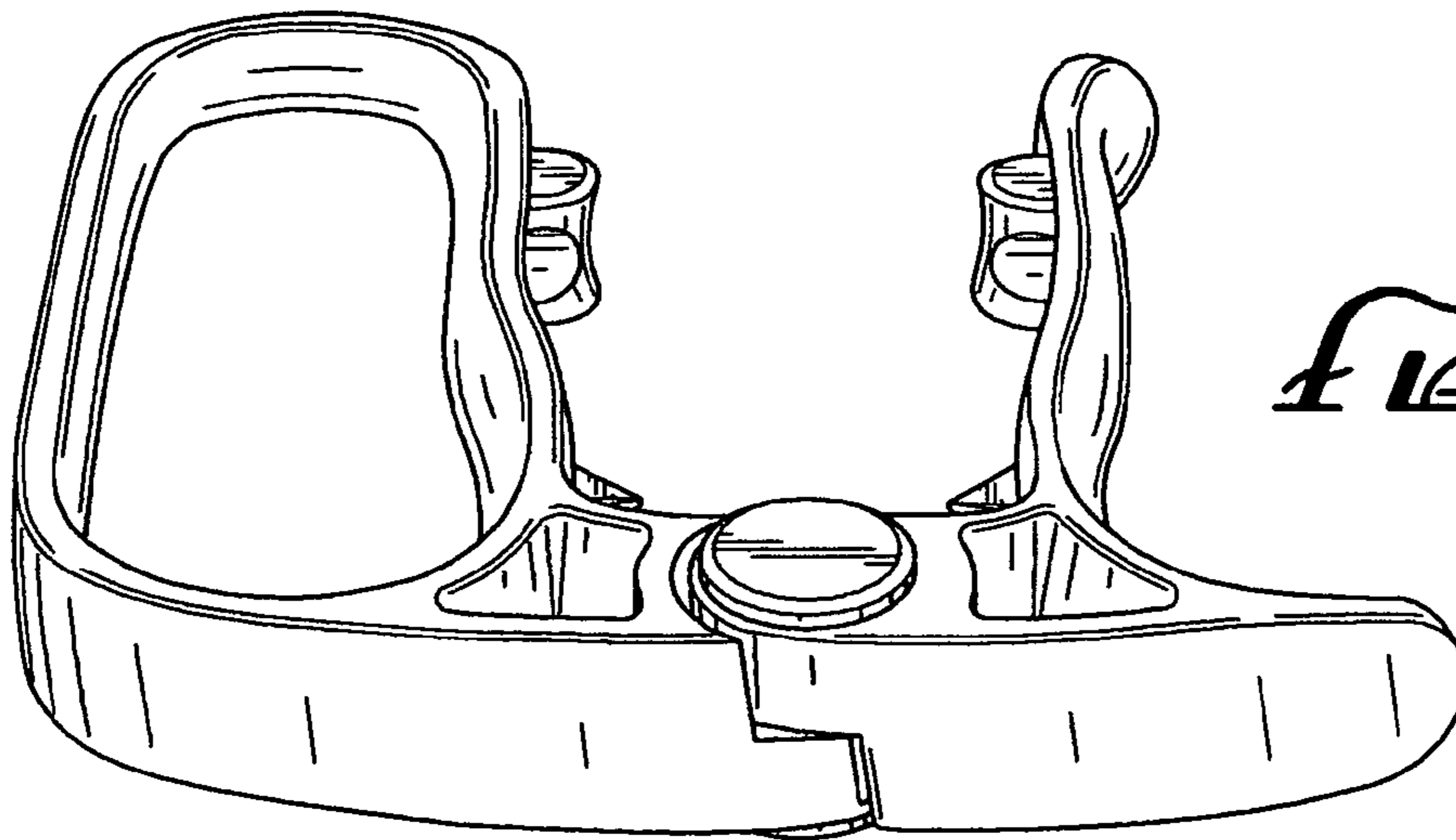


FIG. 3

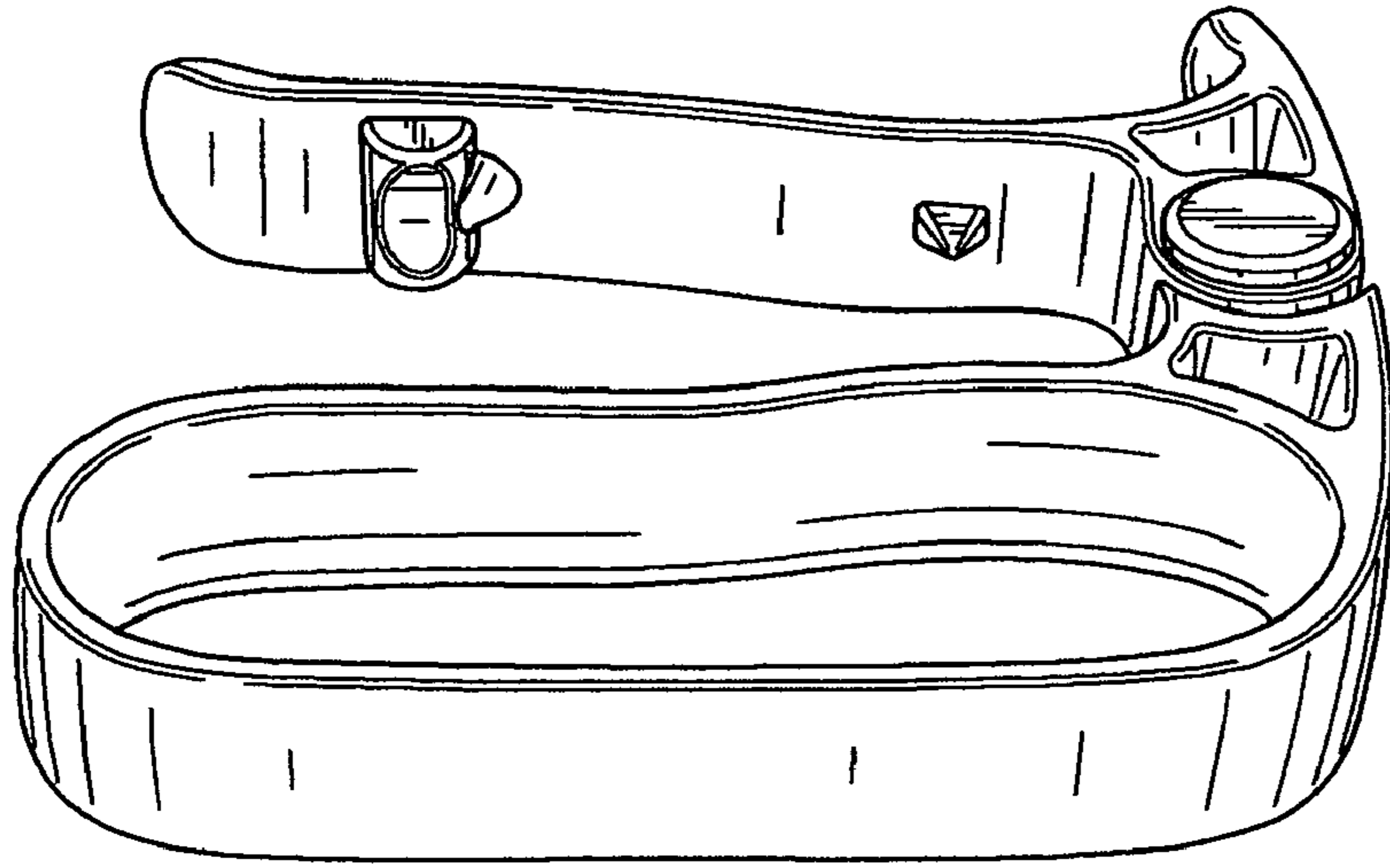


FIG. 4

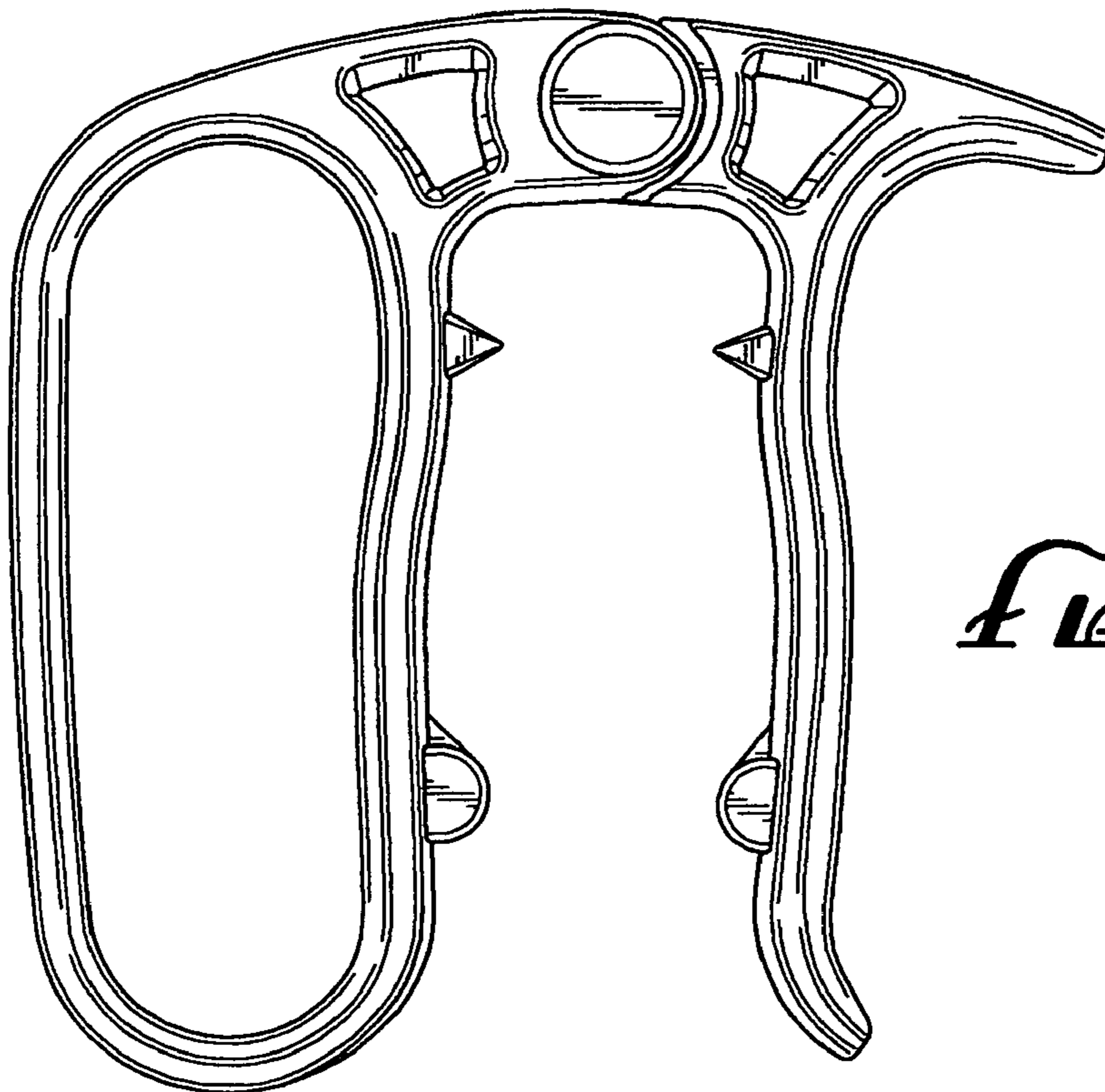


FIG. 5