



US00D620325S

(12) **United States Design Patent**  
**D'Andrea**

(10) **Patent No.:** **US D620,325 S**  
(45) **Date of Patent:** **\*\* Jul. 27, 2010**

(54) **SPOON SIFTER**

D558,538 S \* 1/2008 Curtin ..... D7/667

(76) Inventor: **Diane D'Andrea**, 261 Whitehall Dr.,  
Palatine, IL (US) 60067

\* cited by examiner

*Primary Examiner*—Terry A Wallace  
(74) *Attorney, Agent, or Firm*—Grace J. Fishel

(\*\*) Term: **14 Years**

(21) Appl. No.: **29/344,915**

(57) **CLAIM**

(22) Filed: **Oct. 6, 2009**

The ornamental design for a spoon sifter, as shown.

(51) **LOC (9) Cl.** ..... **07-02**

(52) **U.S. Cl.** ..... **D7/667**

(58) **Field of Classification Search** ..... D7/665–668,  
D7/680–696, 395; 210/464, 465, 470–478,  
210/499, 498; D23/209, 210; D32/35; 209/233,  
209/234, 307, 374, 417; 241/83; 99/495,  
99/501–513

See application file for complete search history.

**DESCRIPTION**

FIG. 1 is a perspective view of a spoon sifter showing my new design;

FIG. 2 is an exploded view thereof;

FIG. 3 is a top view thereof;

FIG. 4 is a right side view thereof, the left side being a mirror image;

FIG. 5 is a front end view thereof;

FIG. 6 is a rear end view thereof; and,

FIG. 7 is a bottom view thereof.

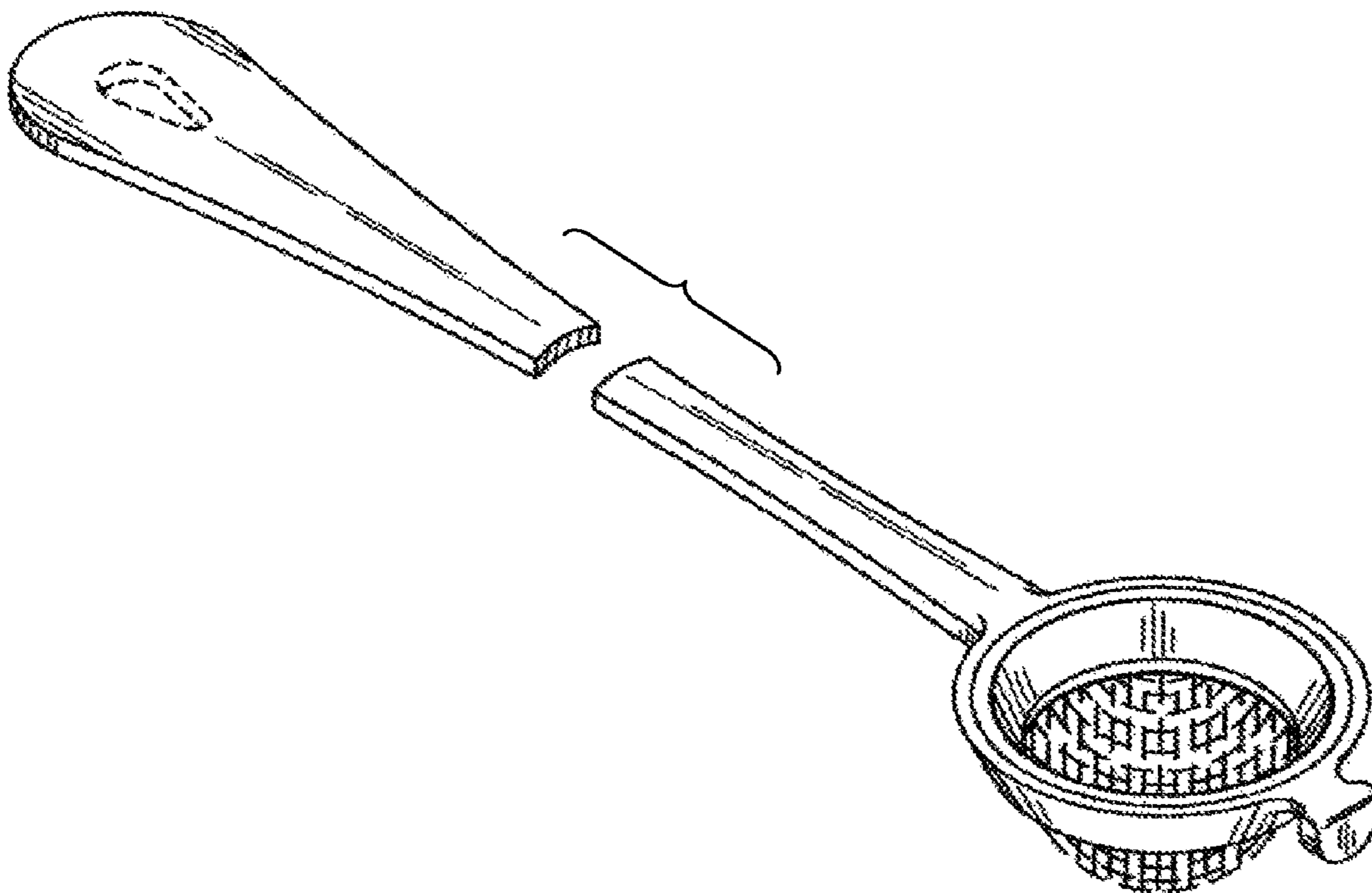
The hole in the handle shown in broken lines in FIGS. 1-3 and 7 and the screen shown in the bowl in broken lines in FIGS. 1-7 are not part of the design.

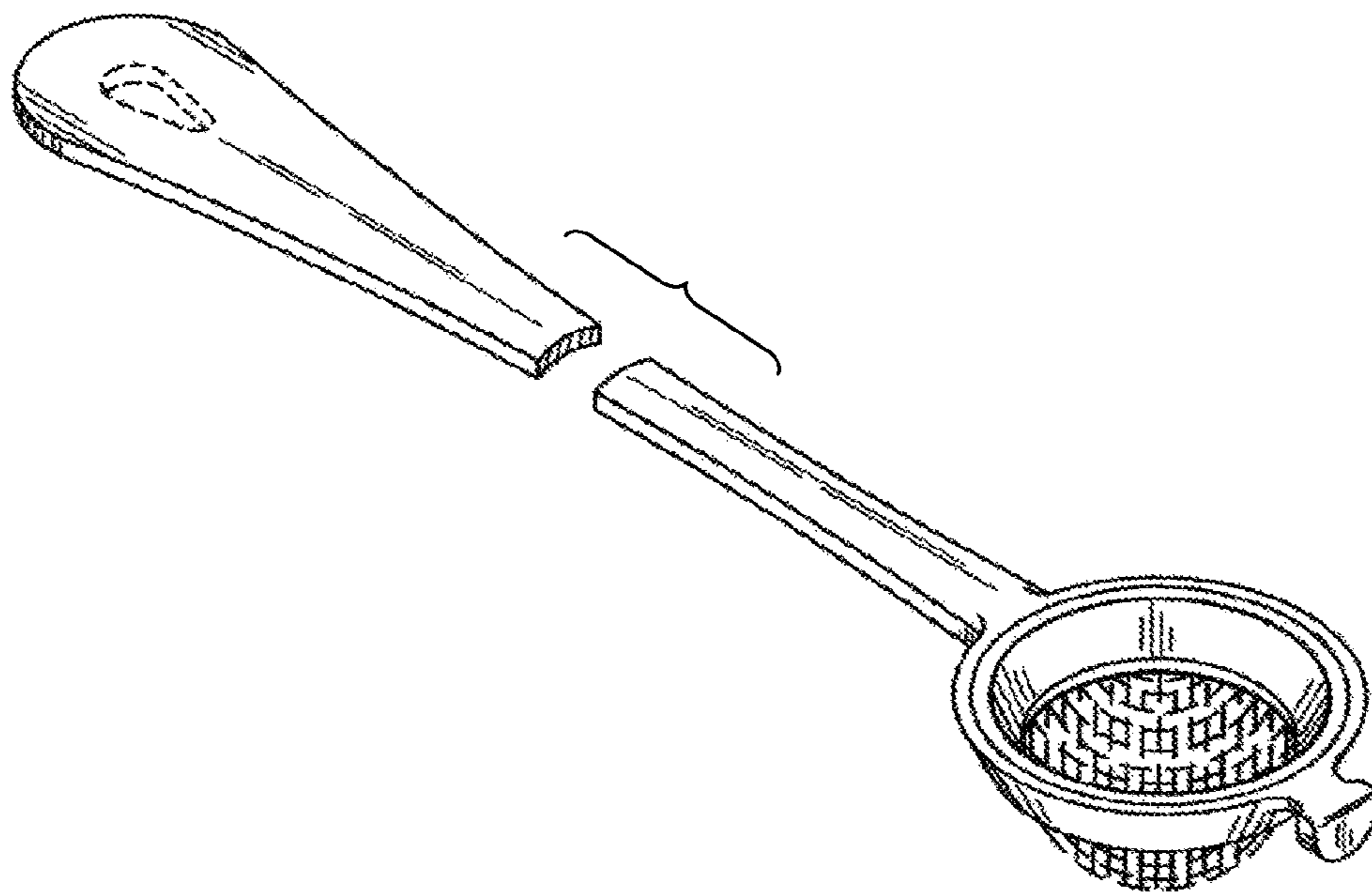
(56) **References Cited**

**U.S. PATENT DOCUMENTS**

D468,596 S *	1/2003	Bluemon	.....	D7/667
D487,675 S *	3/2004	Overthun et al.	.....	D7/667
D495,216 S *	8/2004	Overthun et al.	.....	D7/667
6,928,682 B1 *	8/2005	Hahn	.....	7/106
D515,261 S *	2/2006	Henson	.....	D32/35
D551,522 S *	9/2007	Taylor	.....	D7/667

**1 Claim, 3 Drawing Sheets**





*Fig. 1*

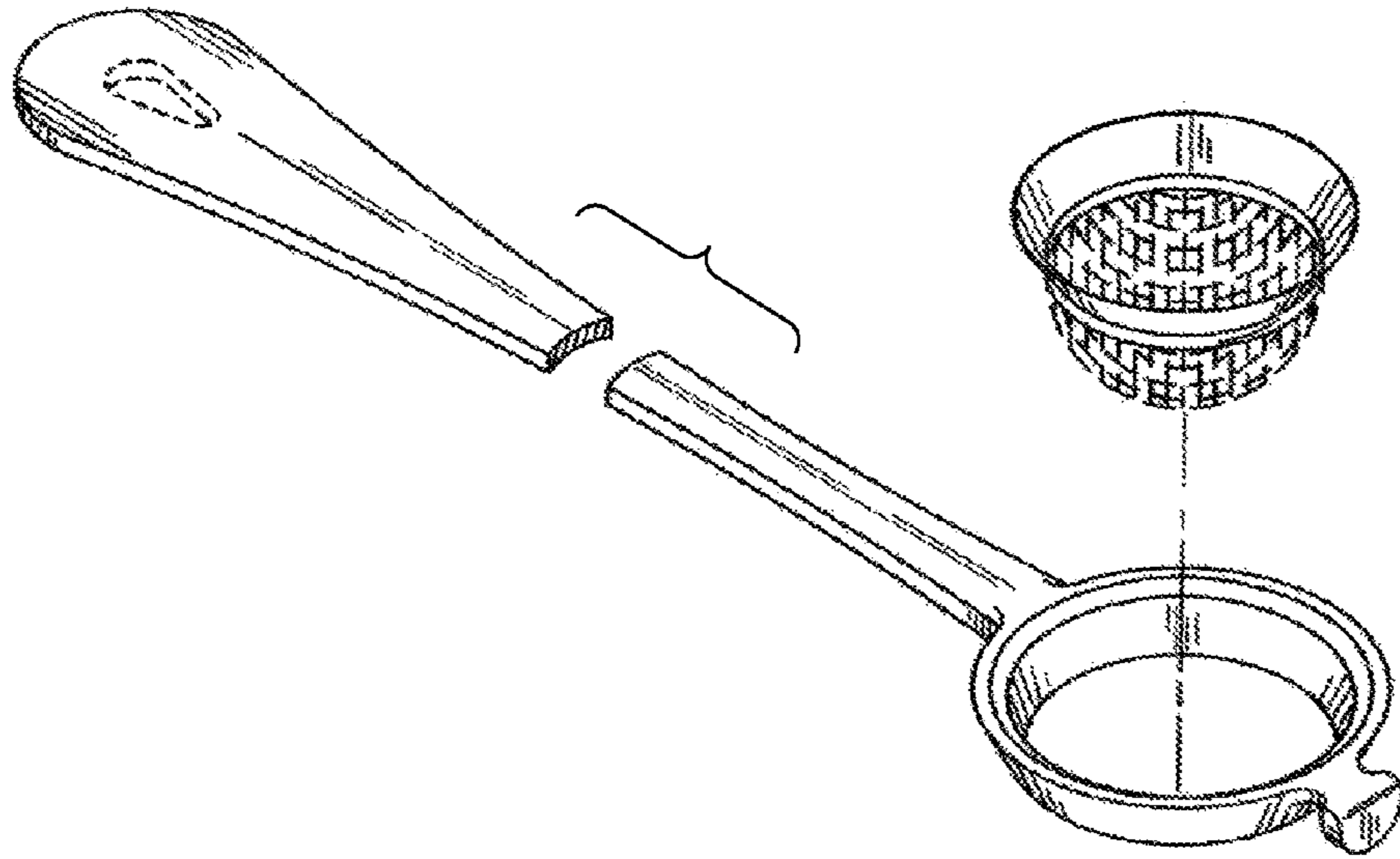


Fig. 2

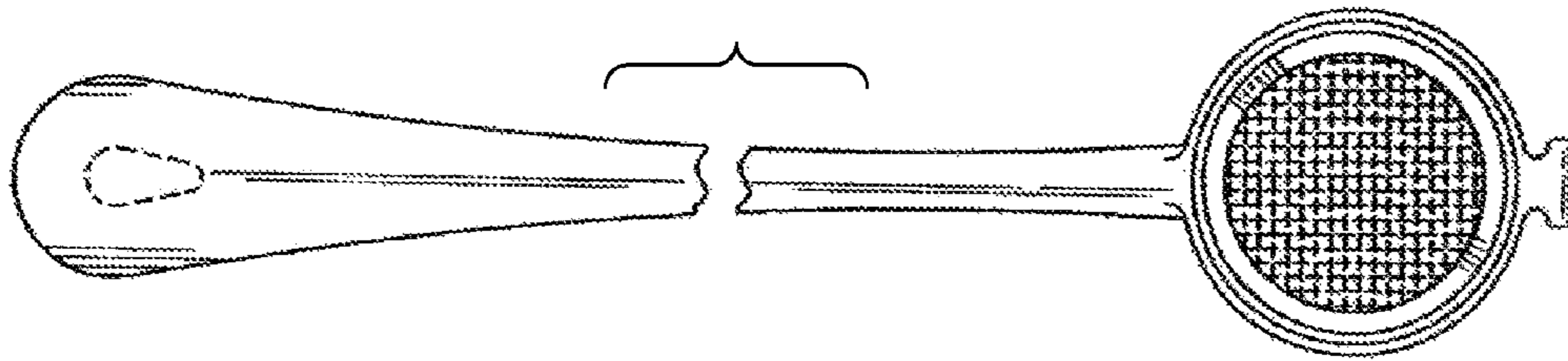


Fig. 3

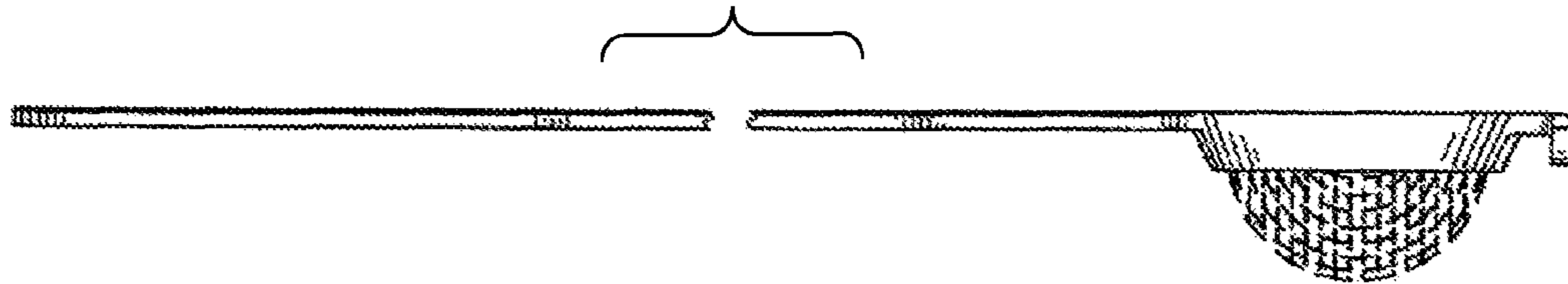


Fig. 4

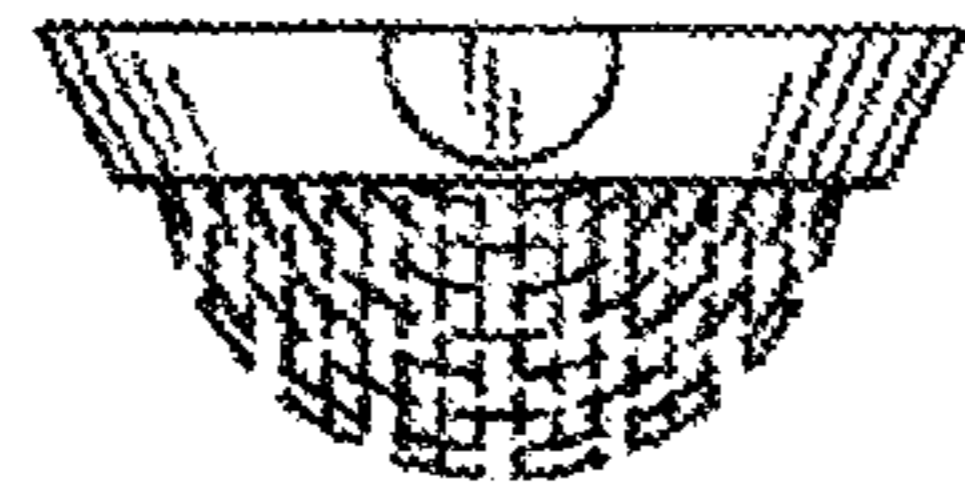


Fig. 5

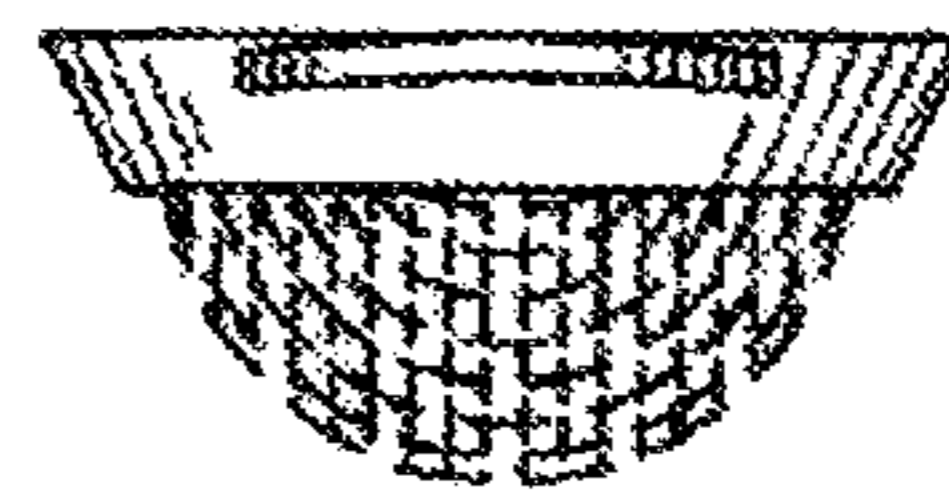


Fig. 6

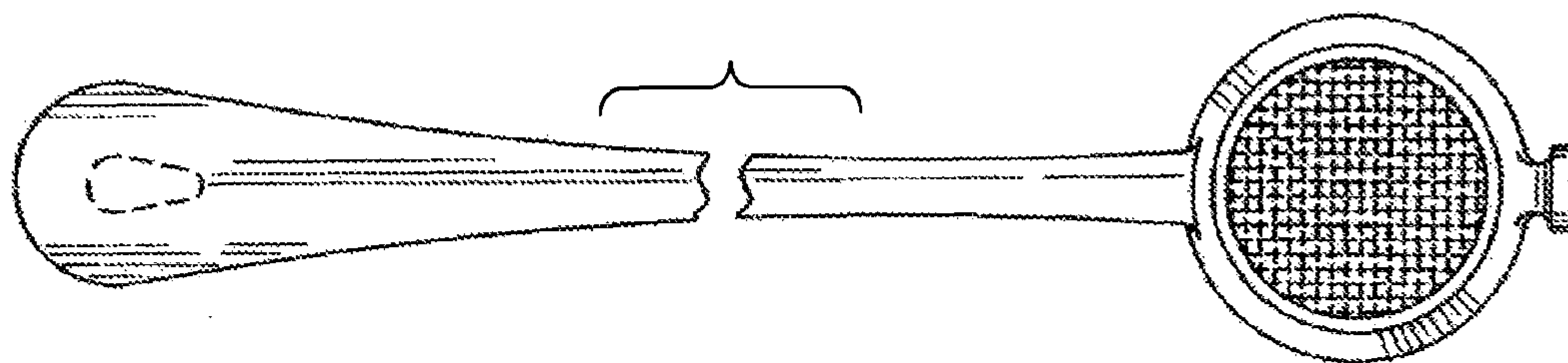


Fig. 7