

US00D620323S

(12) **United States Design Patent**
Griffith

(10) **Patent No.:** **US D620,323 S**
(45) **Date of Patent:** **** Jul. 27, 2010**

(54) **CITRUS FRUIT JUICER**
(75) Inventor: **Jonah S. Griffith**, Seattle, WA (US)
(73) Assignee: **Chef'n Corporation**, Seattle, WA (US)
(**) Term: **14 Years**
(21) Appl. No.: **29/353,059**
(22) Filed: **Dec. 31, 2009**

D304,900 S 12/1989 Miquelot
5,022,159 A 6/1991 Cressman et al.
D322,919 S 1/1992 Holcomb et al.
5,291,658 A 3/1994 Wilson et al.
5,581,897 A 12/1996 Liebscher
6,374,502 B1 4/2002 Holcomb et al.
D499,941 S * 12/2004 Levien et al. D7/666
7,000,535 B2 * 2/2006 Harrison-Griffin et al. .. 100/126
D521,818 S * 5/2006 So D7/665
7,299,747 B2 * 11/2007 So 100/234
2006/0086265 A1 * 4/2006 Gonzalez 100/234

Related U.S. Application Data

(62) Division of application No. 29/334,067, filed on Mar. 19, 2009, now Pat. No. Des. 608,605.

(51) **LOC (9) Cl.** **07-04**
(52) **U.S. Cl.** **D7/666**
(58) **Field of Classification Search** D7/665-668,
D7/680; 99/495, 506-511; 100/99, 104,
100/110, 112, 116, 125, 126, 233, 234, 243,
100/213; 241/95, 169.1, 169.2, 273.3
See application file for complete search history.

* cited by examiner

Primary Examiner—Terry A Wallace

(74) *Attorney, Agent, or Firm*—Seed IP Law Group PLLC

(57) **CLAIM**

The ornamental design for a citrus fruit juicer, as shown and described.

DESCRIPTION

FIG. 1 is a front isometric view of a citrus fruit juicer showing my new design.

FIG. 2 is a top plan view thereof.

FIG. 3 is a bottom plan view thereof.

FIG. 4 is rear elevation view thereof.

FIG. 5 is a front elevation view thereof.

FIG. 6 is a right side elevation view thereof; and,

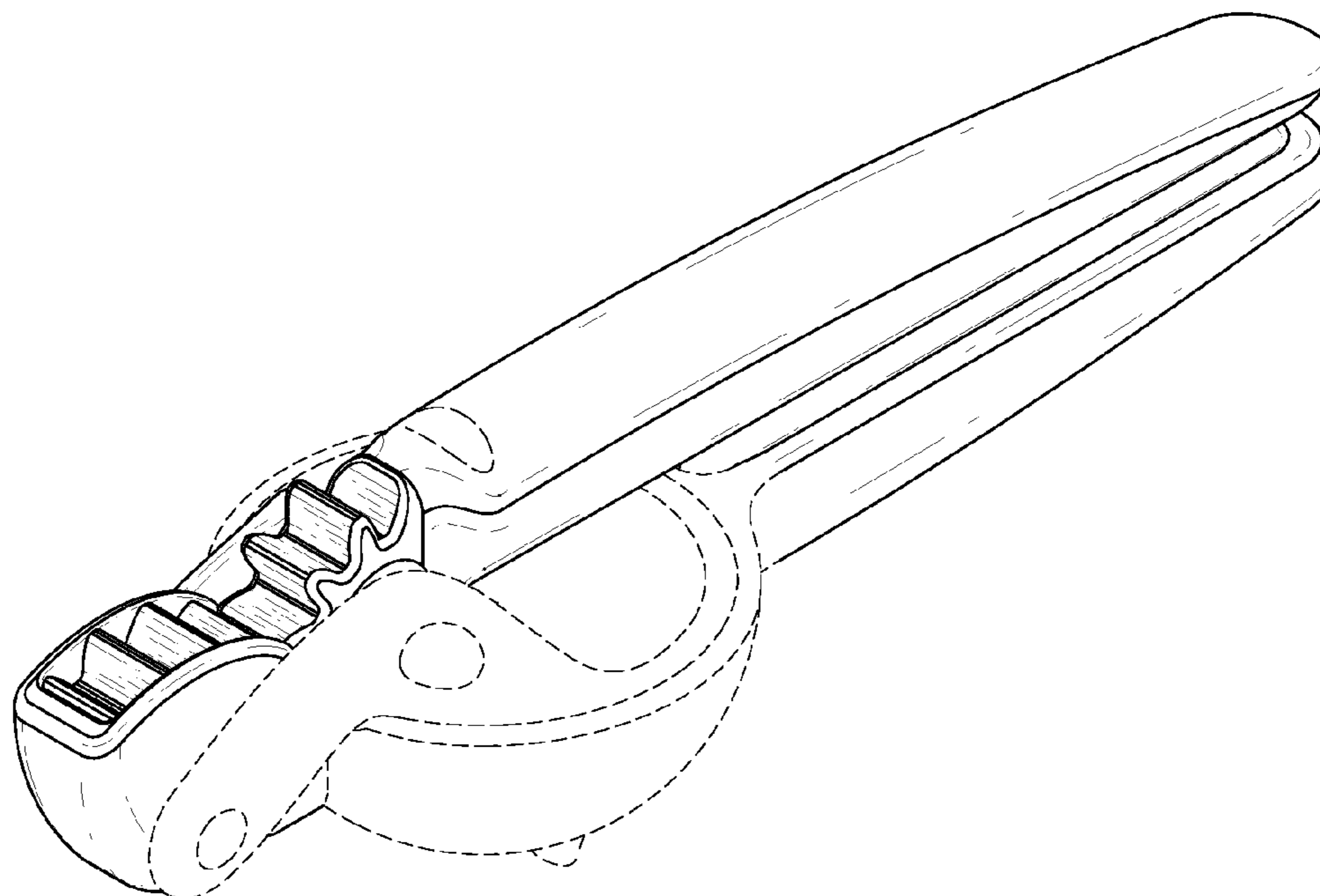
FIG. 7 is a left side elevation view thereof.

The broken lines in the figures are for illustrative purposes only and form no part of the claimed design.

(56) **References Cited**
U.S. PATENT DOCUMENTS

| | | |
|-------------|---------|----------------|
| 44,856 A | 11/1864 | Dick |
| 191,416 A | 5/1877 | Fetter |
| 280,495 A | 7/1883 | McWilliams |
| 1,364,016 A | 12/1920 | Worthington |
| 2,718,056 A | 9/1955 | Burnett |
| 4,186,485 A | 2/1980 | Bainton et al. |
| 4,563,818 A | 1/1986 | Kreth et al. |
| D282,521 S | 2/1986 | Steinko |
| 4,754,550 A | 7/1988 | Koo |
| 4,825,554 A | 5/1989 | Koo |

1 Claim, 4 Drawing Sheets



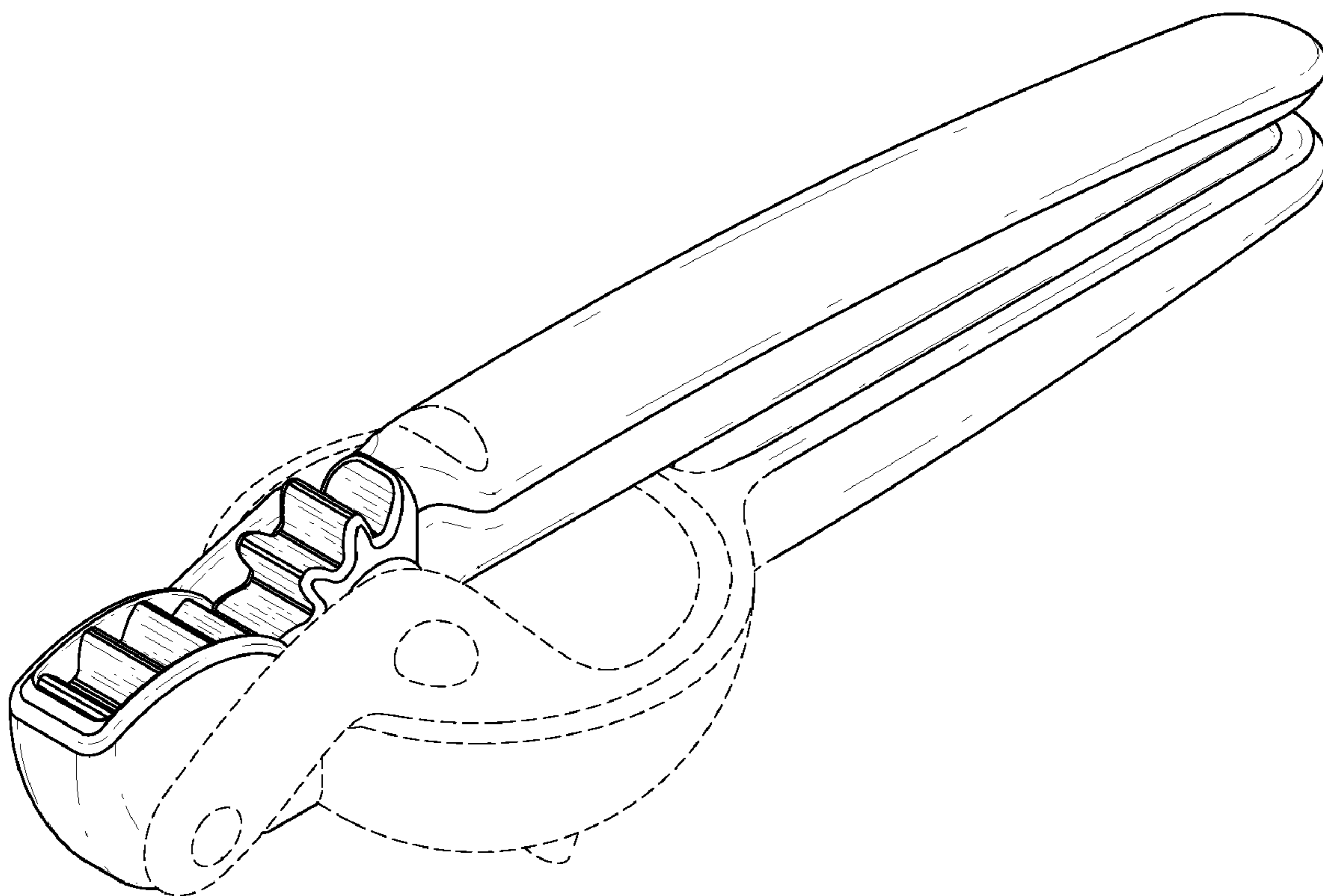


FIG. 1

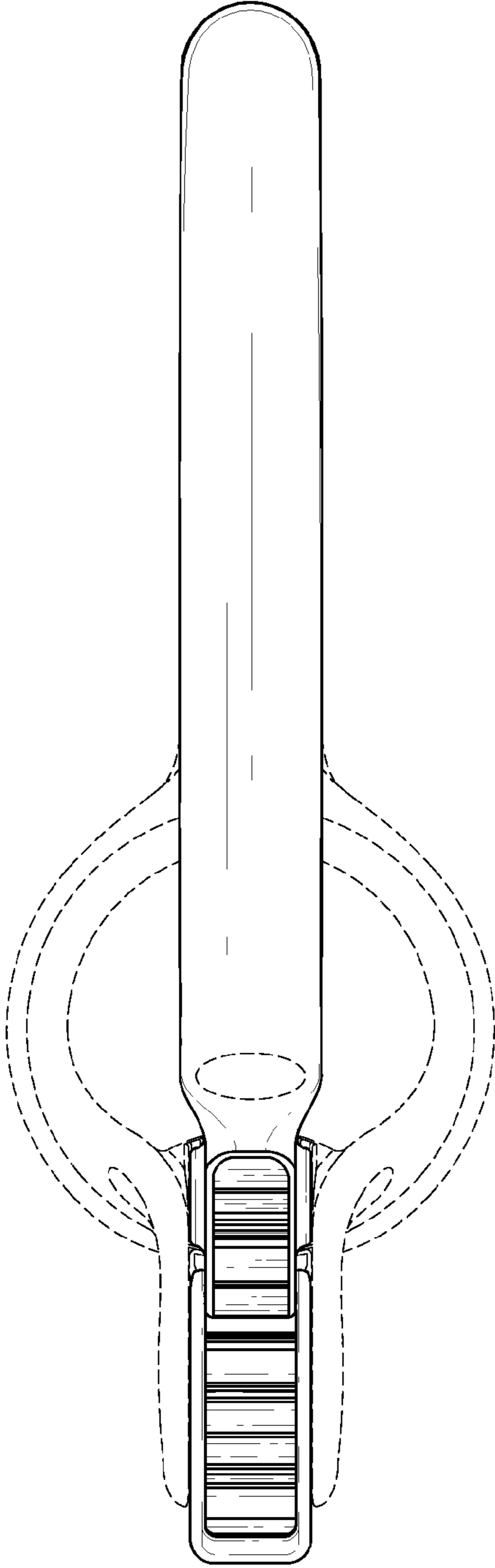


FIG. 2

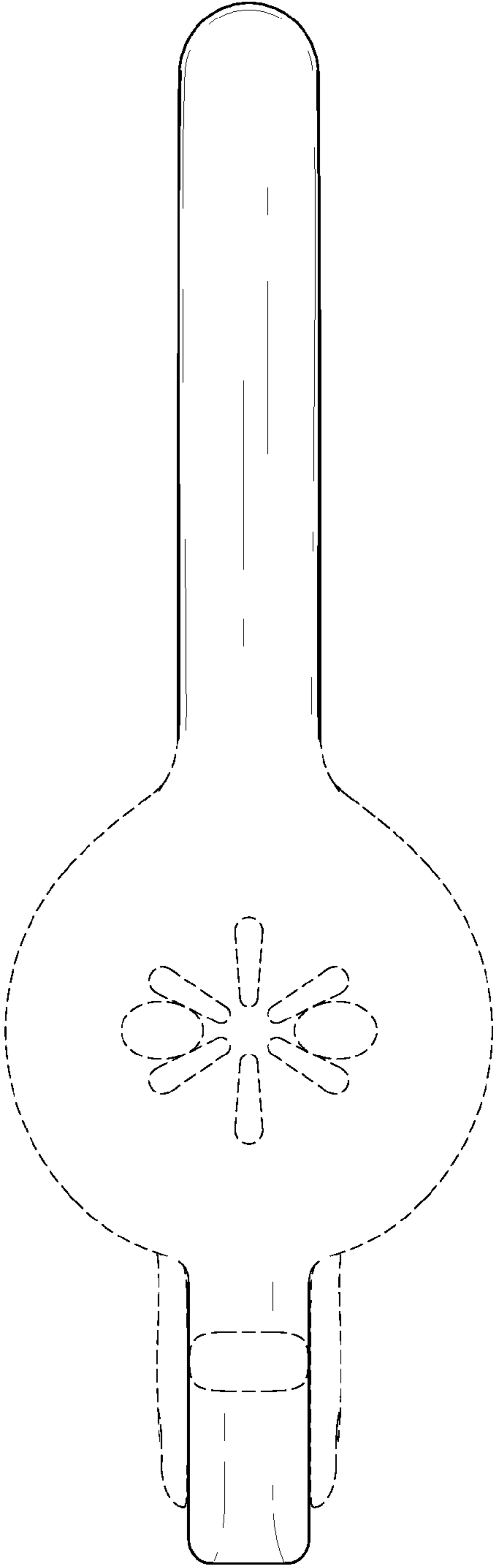


FIG. 3



FIG. 4



FIG. 5

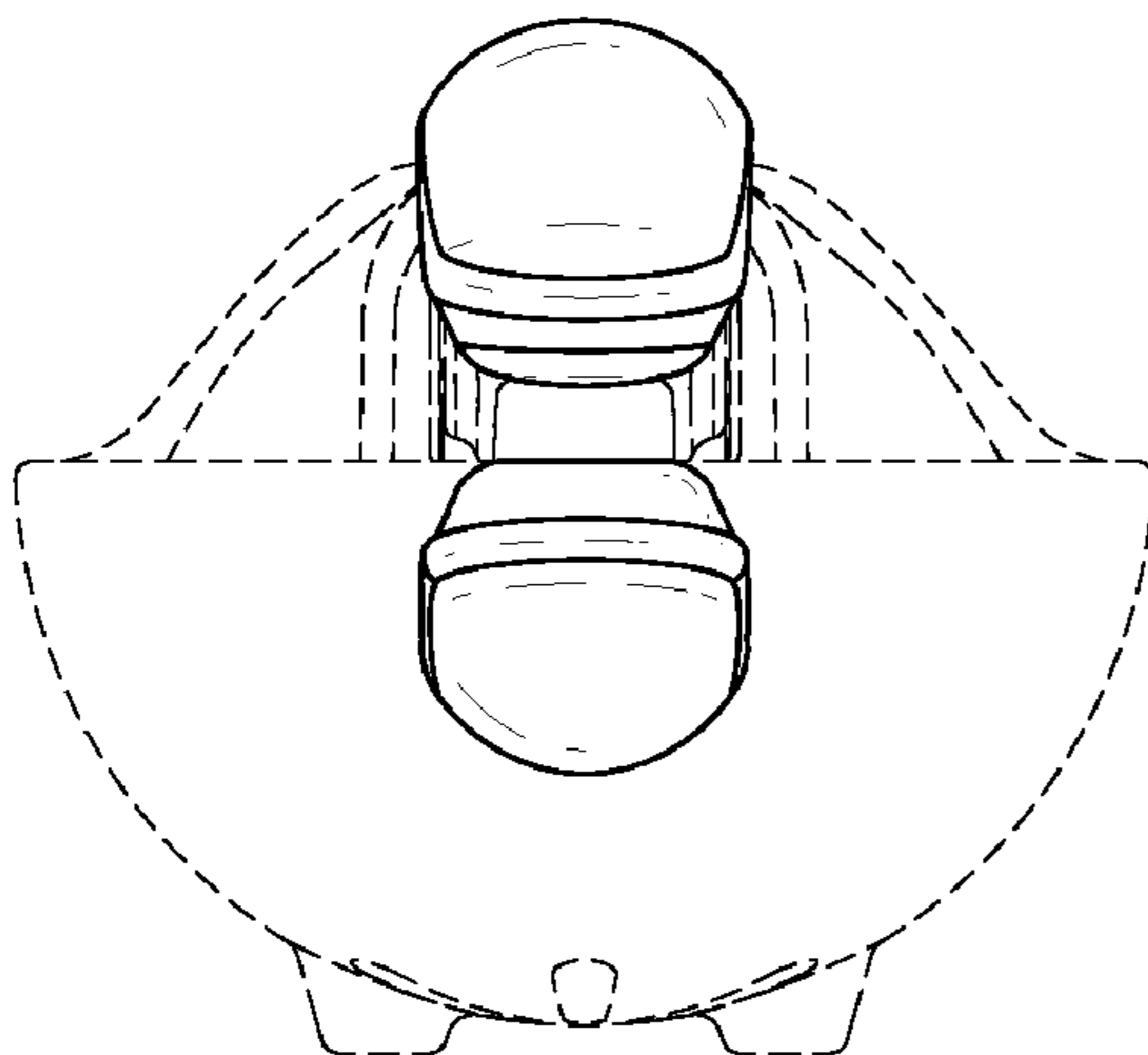


FIG. 6

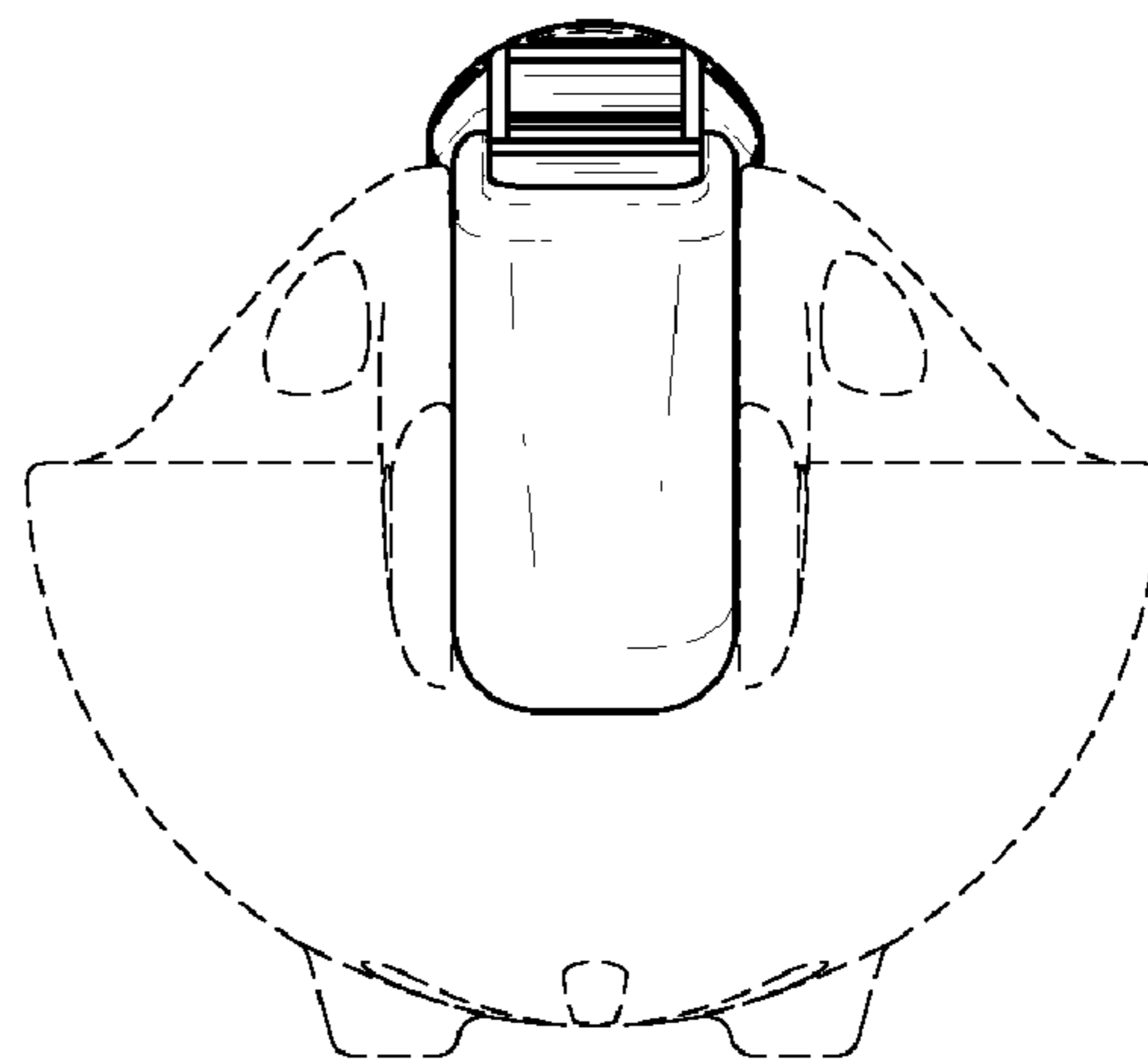


FIG. 7