



US00D620321S

(12) **United States Design Patent**  
**Sperrazza**

(10) **Patent No.:** **US D620,321 S**

(45) **Date of Patent:** **\*\* Jul. 27, 2010**

(54) **STACKABLE CONTAINER**

(74) *Attorney, Agent, or Firm*—Ostrolenk Faber LLP

(76) **Inventor:** **Steven Sperrazza**, 5 Fox Hill La.,  
Stonybrook, NY (US) 11790

(57) **CLAIM**

The ornamental design for a stackable container, as shown and described.

(\*\*) **Term:** **14 Years**

(21) **Appl. No.:** **29/343,417**

**DESCRIPTION**

(22) **Filed:** **Sep. 11, 2009**

FIG. 1 is a front elevation view of a stackable container with a lid thereon showing my new design, the right side elevation view, left side elevation view and rear elevation view being identical thereto;

(51) **LOC (9) Cl.** ..... **07-07**

(52) **U.S. Cl.** ..... **D7/629**

(58) **Field of Classification Search** ..... D7/602,  
D7/629, 612–615, 538–542; 220/4.27, 574–575,  
220/23.86, 506, 213, 508, 23.8, 556, 781;  
206/514, 515, 504, 508, 561

FIG. 2 is a front elevation view of the stackable container with the lid removed, the right side elevation view, left side elevation view and rear elevation view being identical thereto;

See application file for complete search history.

FIG. 3 is a front elevation view of the stackable container, the right side elevation view, left side elevation view and rear elevation view being identical thereto;

(56) **References Cited**

**U.S. PATENT DOCUMENTS**

2,678,143	A *	5/1954	Dillingham et al.	.....	206/509
4,225,052	A *	9/1980	Tector et al.	.....	220/506
4,848,579	A *	7/1989	Barnes et al.	.....	206/508
6,237,765	B1 *	5/2001	Hagen et al.	.....	220/756
6,550,630	B1 *	4/2003	Krupa	.....	220/575

FIG. 4 is a top view of the stackable container;

FIG. 5 is a bottom plan view of the lid;

FIG. 6 is a side view of the lid;

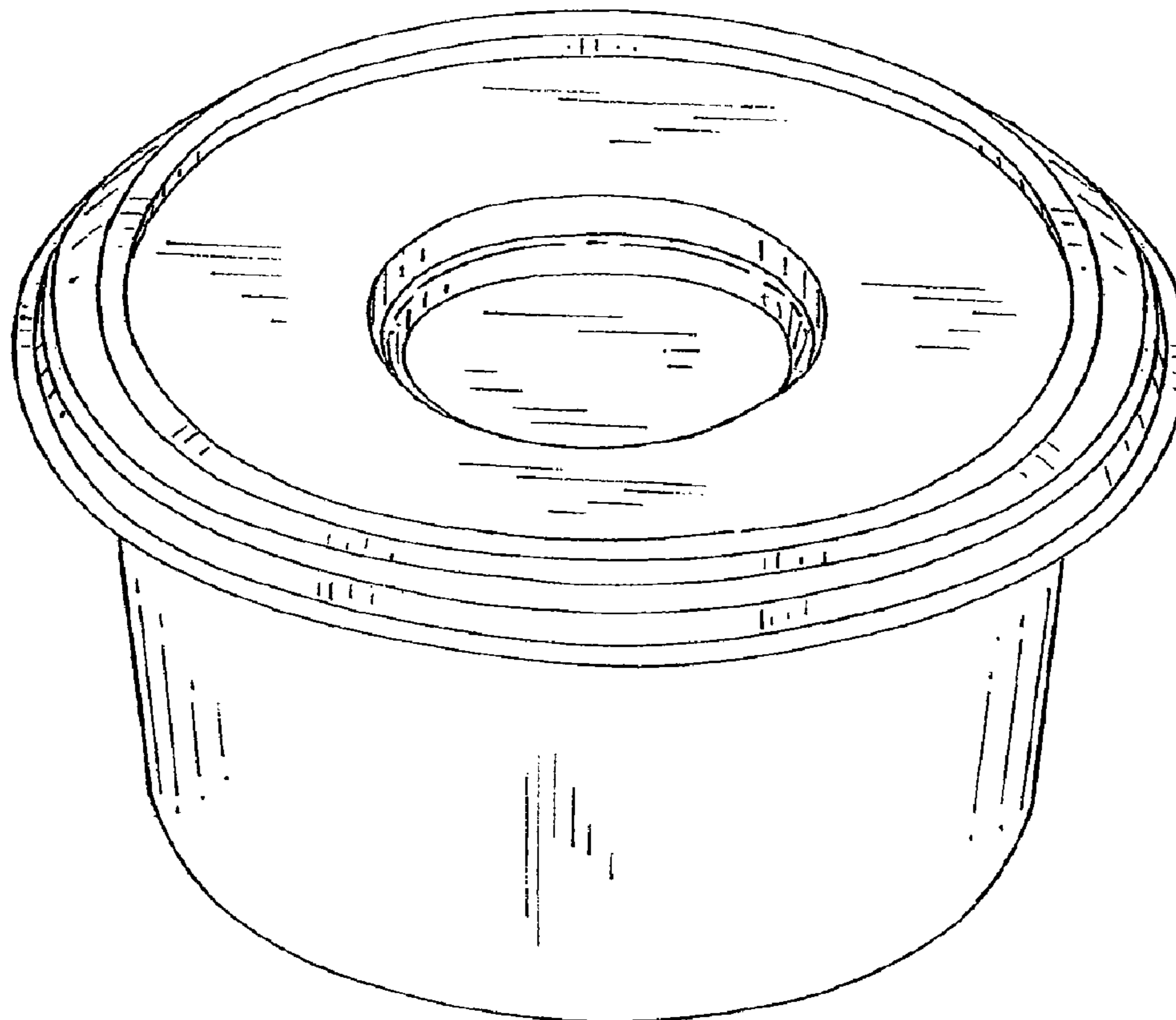
FIG. 7 is a top plan view of the stackable container with the lid thereon; and,

\* cited by examiner

FIG. 8 is a cross sectional view of the stackable container along the line 8—8 of FIG. 7.

*Primary Examiner*—Terry A Wallace

**1 Claim, 5 Drawing Sheets**



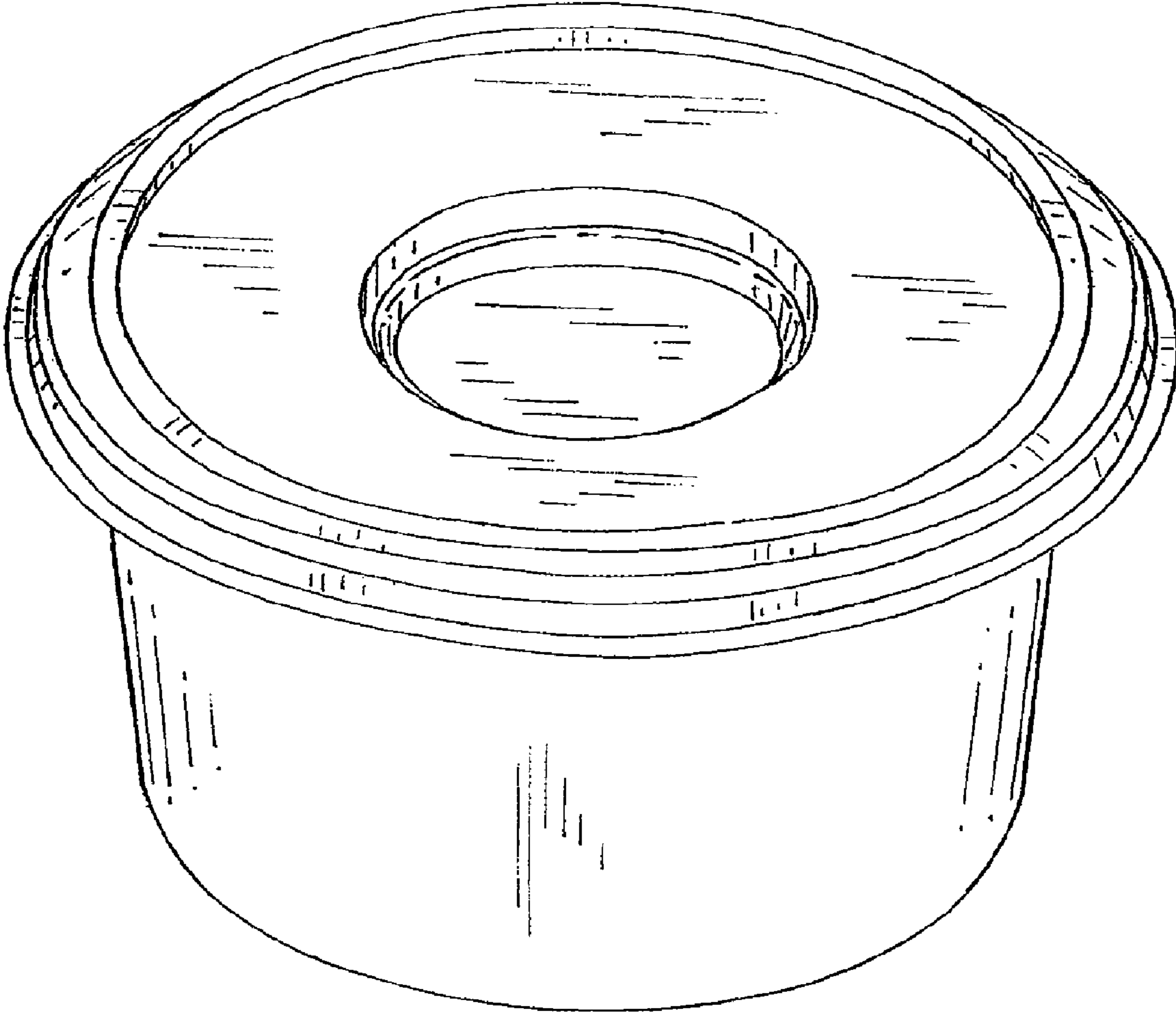


Fig. 1

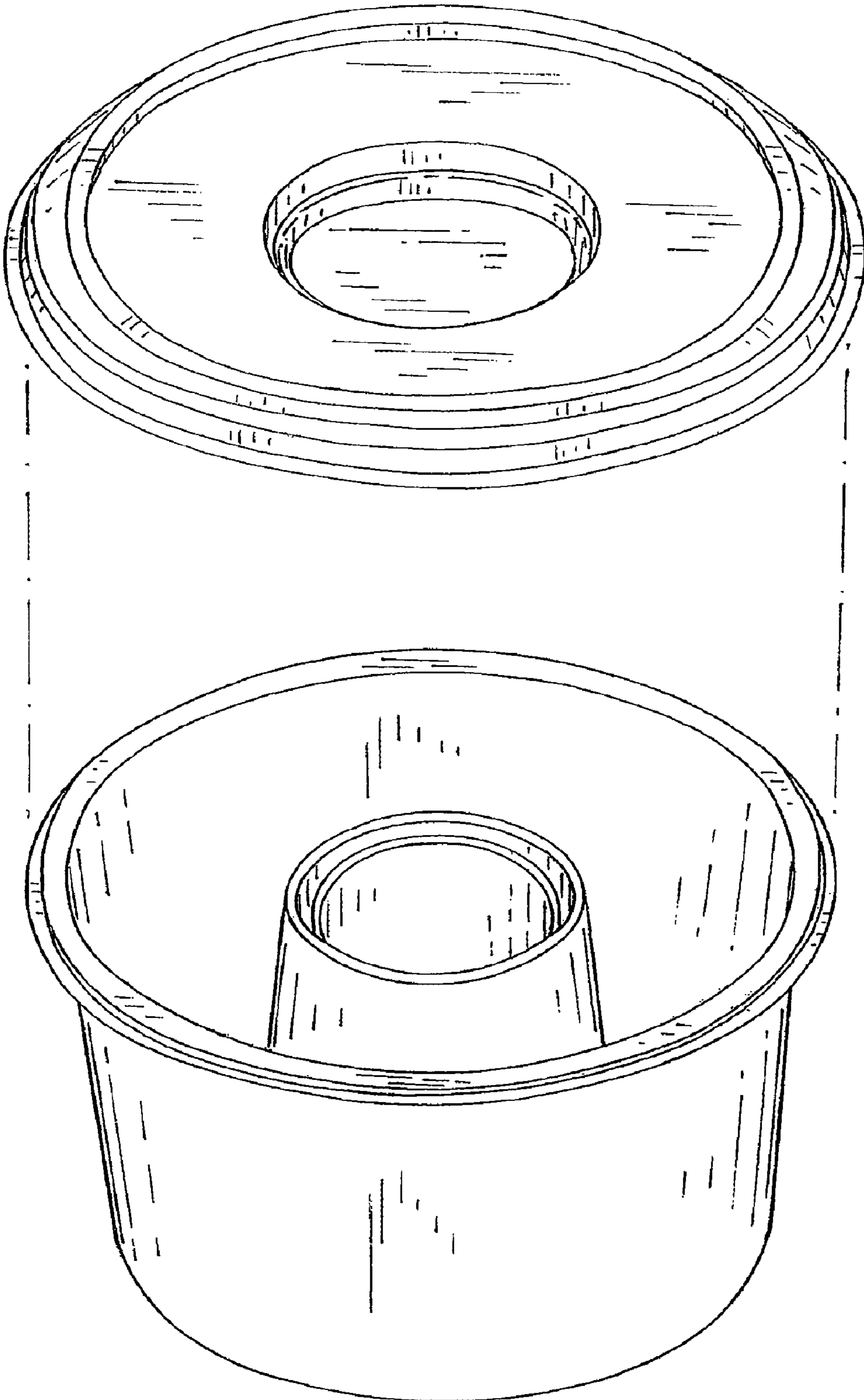


Fig. 2

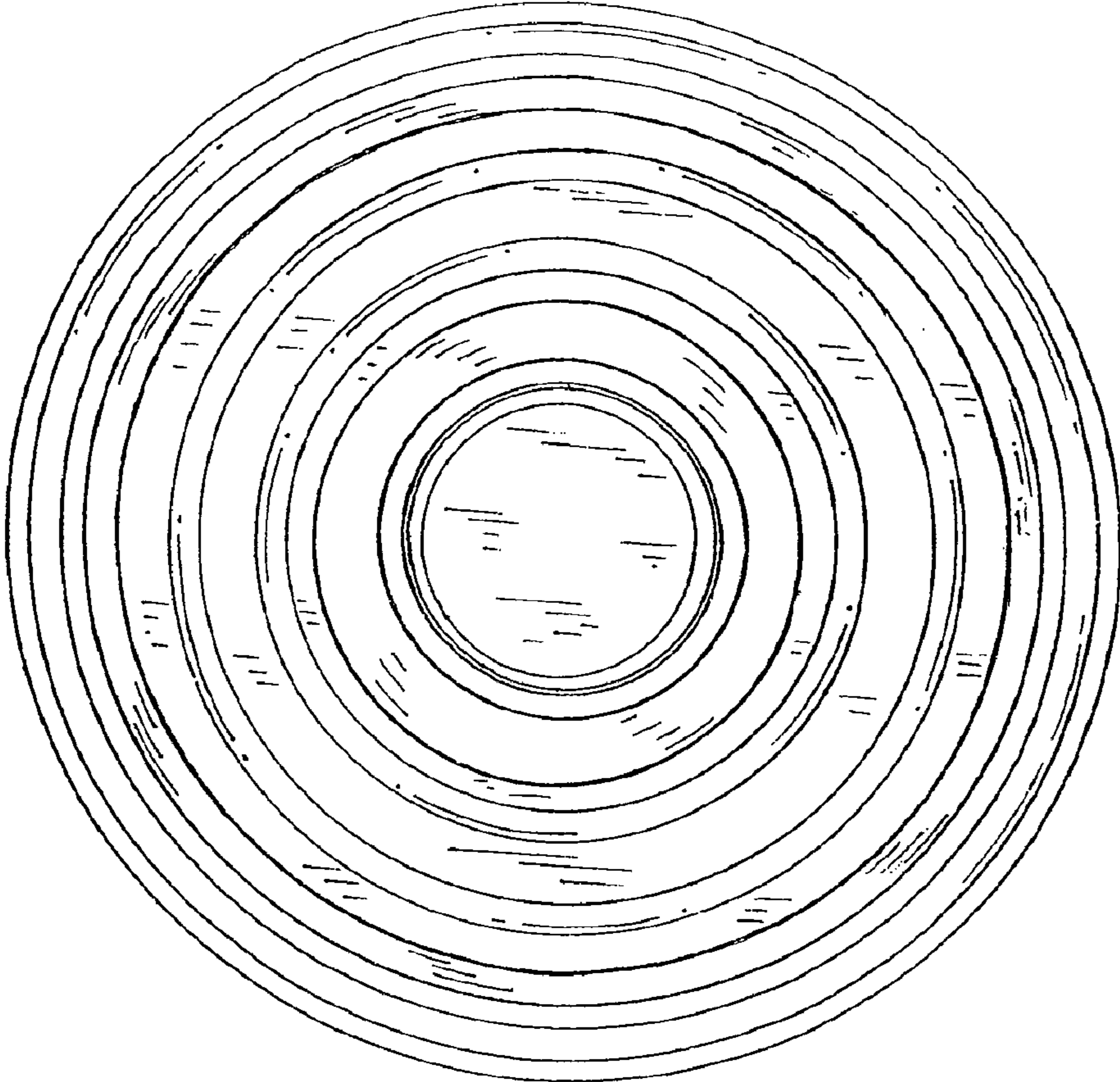


Fig. 4

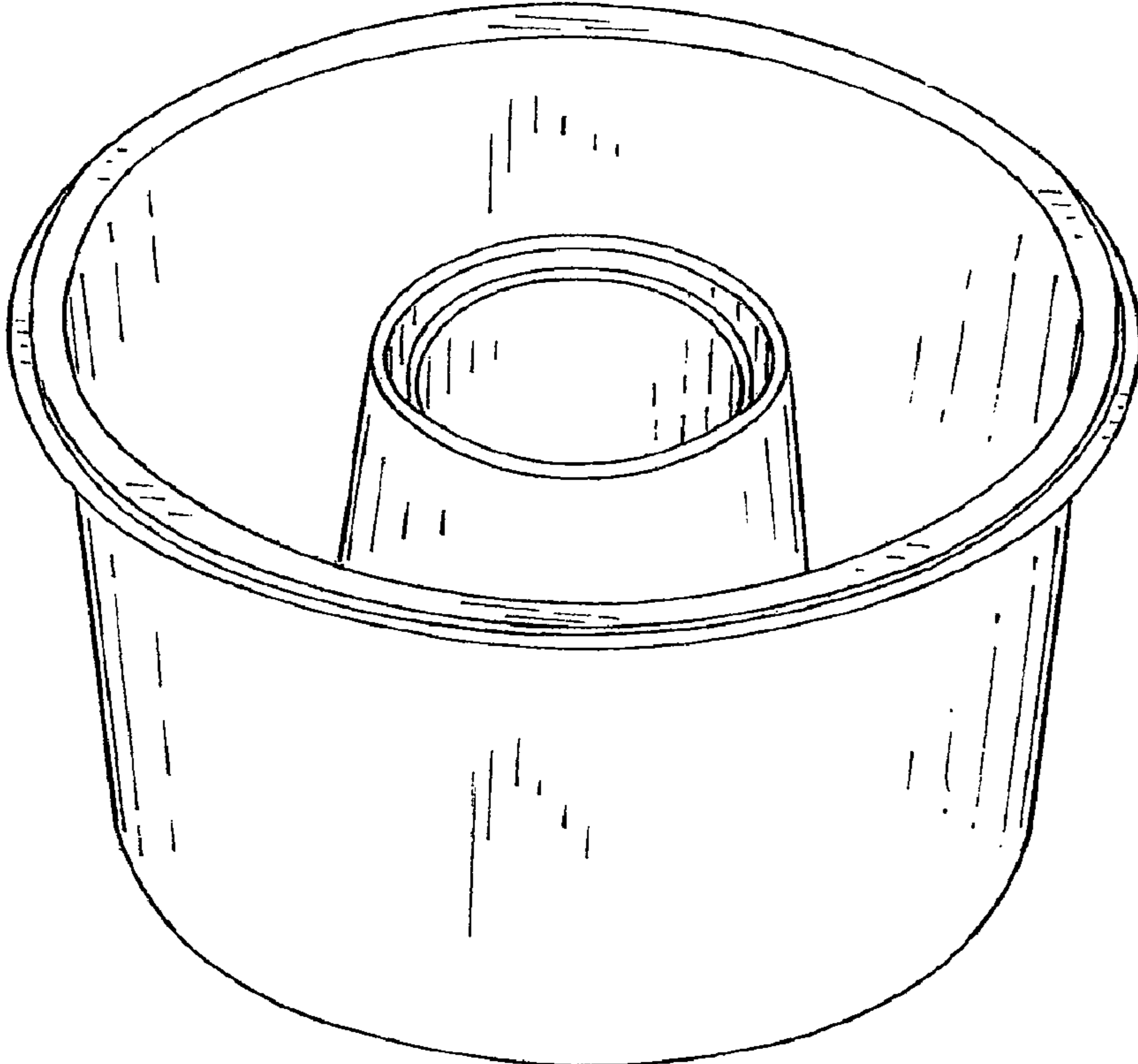


Fig. 3



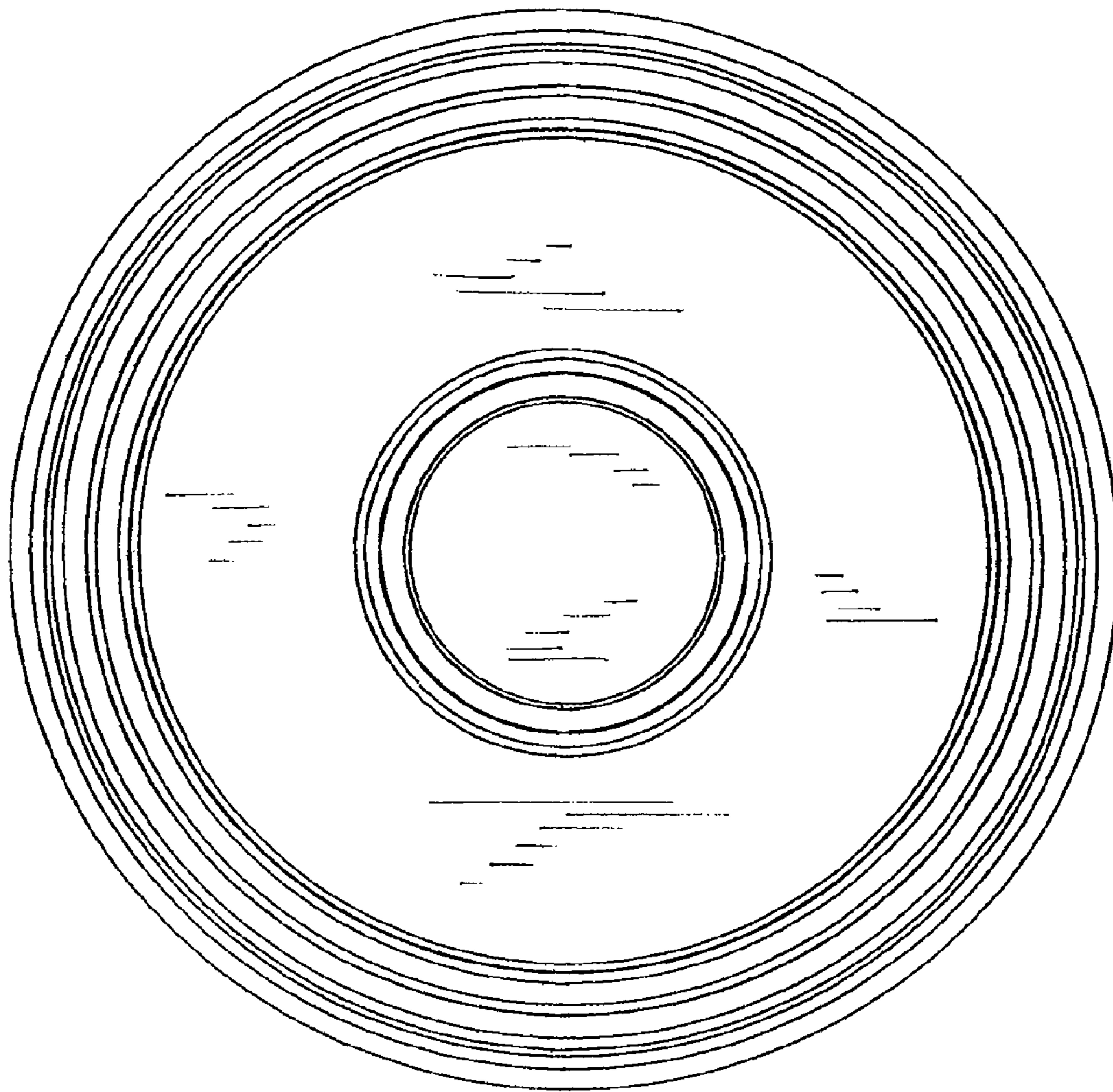


Fig. 5

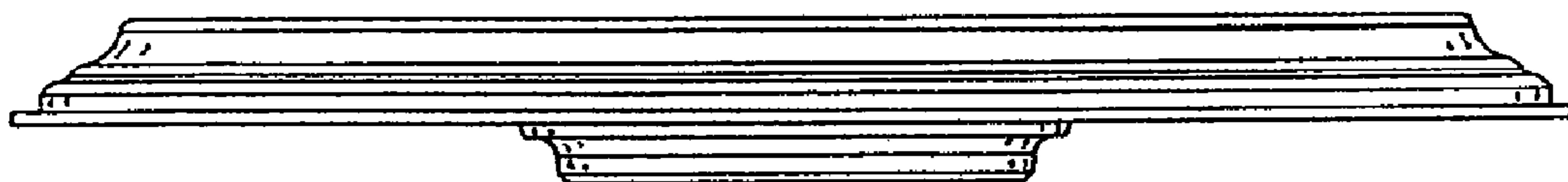


Fig. 6

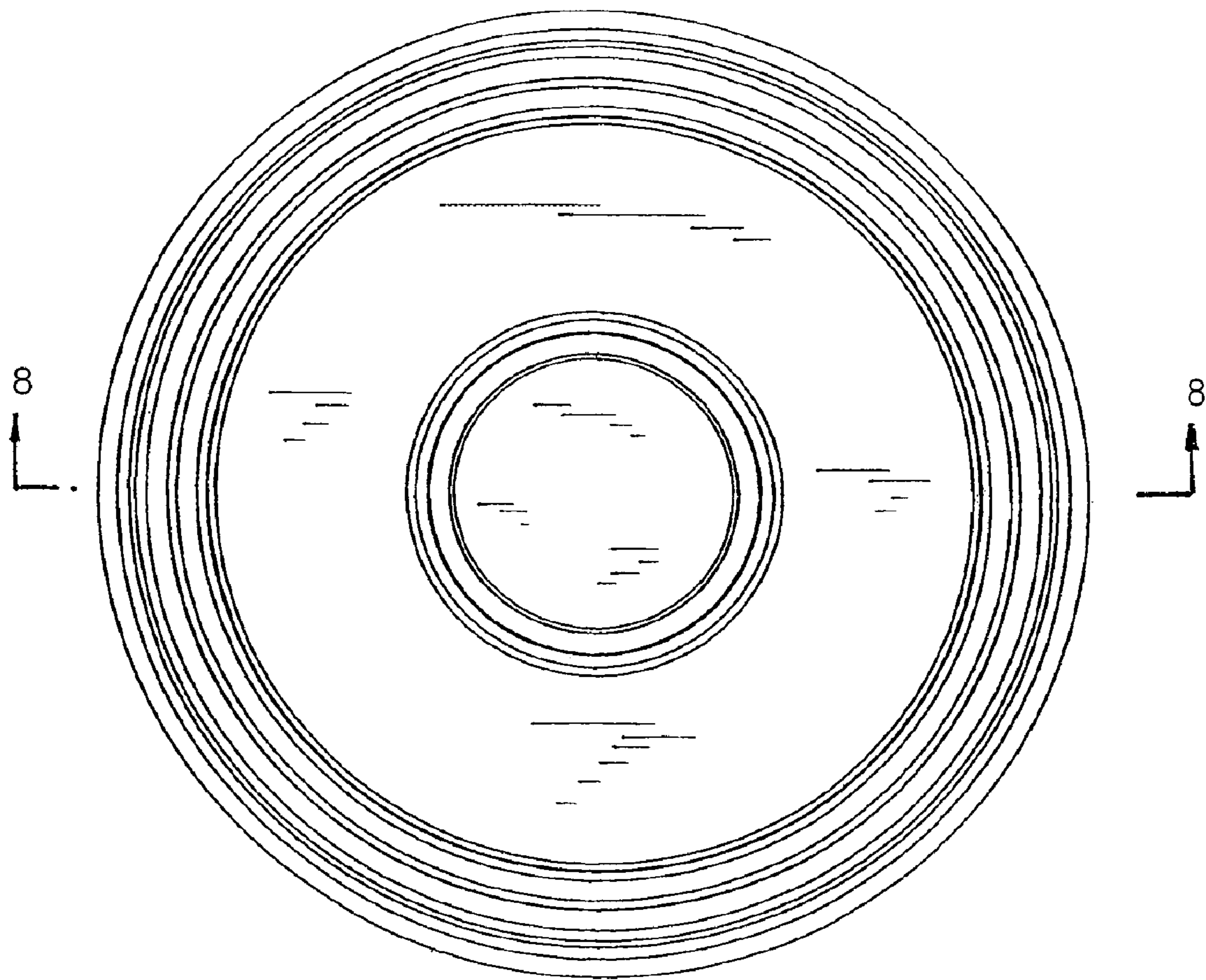


Fig. 7

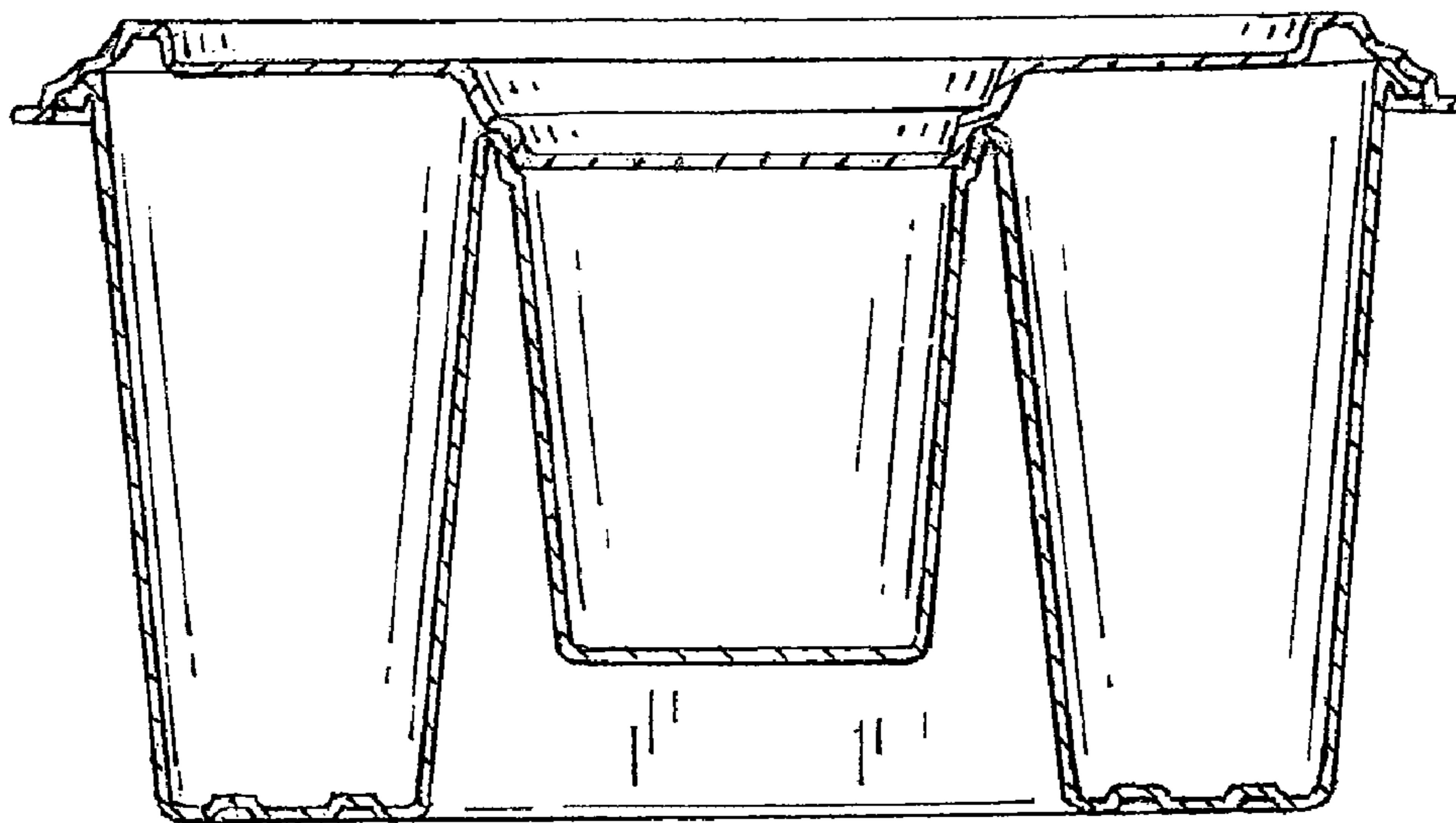


Fig. 8